



(12) **United States Design Patent**
Brunner et al.

(10) **Patent No.:** **US D860,969 S**
(45) **Date of Patent:** **** Sep. 24, 2019**

(54) **HEADSET**

(56) **References Cited**

(71) Applicant: **Apple Inc.**, Cupertino, CA (US)

U.S. PATENT DOCUMENTS

(72) Inventors: **Robert D. Brunner**, San Francisco, CA (US); **Christopher Kuh**, San Francisco, CA (US)

1,066,511 A	7/1913	Markoff	
1,367,746 A	2/1921	Kent	
2,149,341 A	3/1939	Harrison	
3,104,398 A	9/1963	Palmaer	
D203,677 S	2/1966	Spilman et al.	
D229,833 S	1/1974	Becker	
D244,300 S	5/1977	Besasie	
4,173,715 A	11/1979	Gosman	
D254,183 S	2/1980	Doodson	
D254,876 S	5/1980	Reitenga et al.	
D255,352 S	6/1980	Besasie	
4,385,209 A *	5/1983	Greason	H04R 19/016

(73) Assignee: **Apple Inc.**, Cupertino, CA (US)

(**) Term: **15 Years**

(21) Appl. No.: **29/642,633**

307/400

(22) Filed: **Mar. 30, 2018**

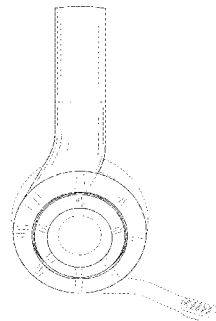
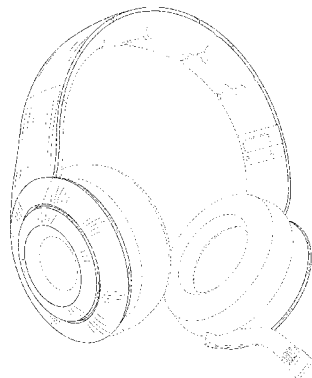
Related U.S. Application Data

(60) Continuation of application No. 29/574,209, filed on Aug. 12, 2016, now Pat. No. Des. 814,438, which is a continuation of application No. 29/504,827, filed on Oct. 9, 2014, now Pat. No. Des. 764,435, which is a continuation of application No. 29/464,539, filed on Aug. 18, 2013, now Pat. No. Des. 716,760, which is a division of application No. 29/426,082, filed on Jun. 29, 2012, now Pat. No. Des. 691,112, which is a continuation-in-part of application No. 29/410,585, filed on Jan. 9, 2012, now Pat. No. Des. 698,749.

4,404,445 A	9/1983	Baran et al.	
4,609,786 A	9/1986	Omoto et al.	
D286,874 S	11/1986	Bertagna et al.	
4,634,816 A	1/1987	O'Malley et al.	
4,875,233 A	10/1989	Derhaag et al.	
D313,092 S	12/1990	Nilsson	
5,018,599 A	5/1991	Dohi et al.	
5,035,005 A	7/1991	Hung	
D328,074 S *	7/1992	Yamazaki	D14/205
D328,461 S *	8/1992	Daido	D14/205
D338,010 S	8/1993	Yamatogi	
D351,172 S	10/1994	Nakamura et al.	
D358,389 S	5/1995	Isono	
D374,658 S	10/1996	Bever et al.	
D375,825 S	11/1996	Whidden	
5,812,680 A	9/1998	Glendon	
D403,128 S	12/1998	Scanlon et al.	
D420,356 S	2/2000	Suzuki	
D422,592 S	4/2000	Deguchi	
6,081,604 A	6/2000	Hikichi et al.	
D430,140 S	8/2000	Roman	
D435,249 S	12/2000	Yasutomi	
6,163,615 A	12/2000	Callahan	
6,195,839 B1	3/2001	Patterson et al.	
D457,512 S	5/2002	Yoneda	
6,449,806 B1	9/2002	Engelhard et al.	
D468,723 S	1/2003	Pham et al.	
D484,485 S	12/2003	Matsuoka	
6,654,966 B2 *	12/2003	Rolla	H04R 1/1066
			2/209
D484,868 S	1/2004	Suzuki	
6,678,897 B2	1/2004	Lindgren	

(51) **LOC (12) Cl.** **14-01**
(52) **U.S. Cl.**
USPC **D14/205**

(58) **Field of Classification Search**
USPC D14/205, 206, 372; D29/112; 2/209;
181/129, 130, 135; 379/430, 431;
381/380, 381, 374; 455/90.3, 575.1,
455/569.1; 345/7, 8
CPC H04R 1/1066; H04R 1/1016; H04R 5/033;
H04R 5/0335; H04R 1/10; H04R 25/00;
H04R 25/02
See application file for complete search history.



US D860,969 S

Page 2

D491,163 S	6/2004	Green		D674,767 S	1/2013	Brunner et al.
D502,938 S	3/2005	Tokioka et al.		D675,595 S	2/2013	Cho et al.
D504,414 S	4/2005	Yoshida		D677,647 S	3/2013	Lee et al.
D504,883 S	5/2005	Jacobson et al.		D677,648 S	3/2013	Lee et al.
D512,381 S	12/2005	Sirichai et al.		D683,329 S *	5/2013	Hagelin D14/205
D512,417 S	12/2005	Hirakawa et al.		D689,843 S	9/2013	Lee
D512,708 S	12/2005	Harris, Jr. et al.		D691,112 S *	10/2013	Brunner D14/206
D512,981 S	12/2005	Jacobson et al.		D691,579 S	10/2013	Lee et al.
D514,086 S	1/2006	Skulley		D691,984 S	10/2013	Wang
D517,043 S	3/2006	Jacobson et al.		D692,410 S *	10/2013	Brunner H04S 1/005
D517,528 S	3/2006	Skulley				D14/206
7,072,483 B2 *	7/2006	Lenhard-Backhaus		D693,791 S	11/2013	Troy
		H04R 1/1066		D696,226 S *	12/2013	Brunner H04R 1/1008
		381/370				D14/205
D532,407 S	11/2006	Motoishi		D698,749 S *	2/2014	Brunner D14/206
D534,155 S *	12/2006	Obata D14/205		D704,163 S *	5/2014	Brunner H04R 1/1008
D534,156 S *	12/2006	Obata D14/205				D14/205
7,172,052 B2 *	2/2007	Lenhard-Backhaus		D709,860 S *	7/2014	Brunner H04S 1/005
		H04R 1/1066				D14/205
		181/129		D711,348 S	8/2014	Yang
D539,788 S	4/2007	Thompson et al.		D716,760 S *	11/2014	Brunner D14/206
D540,301 S	4/2007	Obata		D732,503 S *	6/2015	Brunner H04S 1/005
D540,303 S	4/2007	Rausch et al.				D14/205
D540,778 S	4/2007	Thompson et al.		9,084,055 B2	7/2015	Brunner et al.
D541,255 S	4/2007	Taylor et al.		D760,688 S *	7/2016	Brunner H04S 1/005
D541,256 S	4/2007	Rausch et al.				D14/206
D541,257 S	4/2007	Thursfield		D764,435 S *	8/2016	Brunner D14/205
D552,077 S *	10/2007	Brunner D14/205		D809,477 S	2/2018	Brunner et al.
D557,684 S	12/2007	Pundsack et al.		D814,438 S *	4/2018	Brunner D14/205
D560,654 S	1/2008	Feng		D836,600 S *	12/2018	Lee D14/206
D563,382 S	3/2008	Wikel		D843,345 S *	3/2019	Brunner D14/205
D563,995 S	3/2008	Deguchi et al.		2003/0182713 A1	10/2003	Rolla
7,356,362 B2	4/2008	Chang et al.		2004/0216946 A1	11/2004	Lenhard-Backhaus
D582,890 S *	12/2008	Koza D14/205		2005/0053255 A1	3/2005	Harris et al.
D584,715 S	1/2009	Brennwald		2005/0226452 A1	10/2005	Amae et al.
D585,870 S *	2/2009	Zheng D14/205		2006/0001307 A1	1/2006	Embach
D585,871 S	2/2009	Lee		2006/0062417 A1	3/2006	Tachikawa
D585,872 S	2/2009	Lee		2006/0104471 A1	5/2006	Tsunoda et al.
D588,098 S	3/2009	Kurihara		2008/0056525 A1	3/2008	Fujiwara et al.
D588,100 S	3/2009	Densho et al.		2009/0220118 A1	9/2009	Meier et al.
D591,263 S	4/2009	Shimizu		2010/0128884 A1	5/2010	Sapiejewski et al.
D592,182 S	5/2009	Sanguinetti		2010/0284558 A1	11/2010	Kimura et al.
D592,640 S	5/2009	Tkachuk		2011/0206216 A1	8/2011	Brunner et al.
D593,995 S	6/2009	Shimizu		2011/0249856 A1	10/2011	Takei
D600,674 S	9/2009	Brennwald				
D602,906 S	10/2009	Groves et al.				
D603,370 S	11/2009	Suzuki				
D603,371 S *	11/2009	Boateng D14/205				
D616,865 S	6/2010	Marchand et al.				
D617,769 S *	6/2010	Birger D14/205				
D617,771 S	6/2010	Groves et al.				
7,735,154 B2	6/2010	Gellis et al.				
D625,705 S	10/2010	Ohori et al.				
D632,668 S *	2/2011	Brunner D14/205				
D633,896 S	3/2011	Kondo et al.				
D635,959 S	4/2011	Hutchieson				
D637,176 S *	5/2011	Brunner D14/205				
D637,998 S	5/2011	Brunner et al.				
D637,999 S	5/2011	Brunner et al.				
D638,000 S	5/2011	Hoggarth				
D639,776 S	6/2011	Arimoto				
D641,725 S	7/2011	Chong et al.				
D648,330 S	11/2011	Fischer				
D652,017 S	1/2012	Groves et al.				
D652,405 S	1/2012	Lee et al.				
D652,406 S *	1/2012	Lee D14/205				
D654,471 S	2/2012	Fischer				
D654,472 S	2/2012	Fischer				
D657,344 S *	4/2012	Brunner D14/205				
D657,345 S	4/2012	Brunner et al.				
D657,776 S	4/2012	Lee et al.				
D660,823 S *	5/2012	Hardi D14/205				
D660,824 S *	5/2012	Hardi D14/205				
D660,826 S	5/2012	Brunner et al.				
D662,490 S *	6/2012	McSweyn D14/205				
D663,716 S *	7/2012	Hardi D14/205				
D673,136 S *	12/2012	Kelly D14/205				
D673,518 S	1/2013	Tan				
D673,520 S *	1/2013	Tan D14/205				

FOREIGN PATENT DOCUMENTS

GB	2072035 B	1/1998
JP	D1318386	12/2007
JP	D1406347	1/2011
JP	D1430542	12/2011
KR	30-0476152	1/2008
WO	WO 2007/103561 A2	9/2007
WO	WO 2012/094176 A2	7/2012

OTHER PUBLICATIONS

Office Action dated Dec. 10, 2010 for Russian Patent Application No. 2010501890.

Search Report dated Mar. 31, 2011 for Taiwan Patent Application No. 099303306.

Search Report and Written Opinion for PCT Application No. PCT/US11/67045 dated Sep. 27, 2012.

Taiwan Office Action for Taiwan Application No. 101303990 dated Aug. 26, 2013.

Taiwan Office Action for Taiwan Application No. 101301117 dated Aug. 26, 2013.

Taiwan Office Action for Taiwan Application No. 102302000 dated Aug. 26, 2013.

* cited by examiner

Primary Examiner — Paula Allen Greene
 (74) *Attorney, Agent, or Firm* — Sterne, Kessler,
 Goldstein & Fox, P.L.L.C.

(57)

CLAIM

The ornamental design for a headset, as shown and described.

DESCRIPTION

FIG. 1 is a front perspective view of a headset showing the claimed design;

FIG. 2 is a rear view thereof;

FIG. 3 is a bottom view thereof;

FIG. 4 is a front view thereof;

FIG. 5 is a right side view thereof;

FIG. 6 is a left side view thereof; and,

FIG. 7 is a top view thereof.

The broken lines in the figures show portions of the headset that form no part of the claimed design.

1 Claim, 7 Drawing Sheets

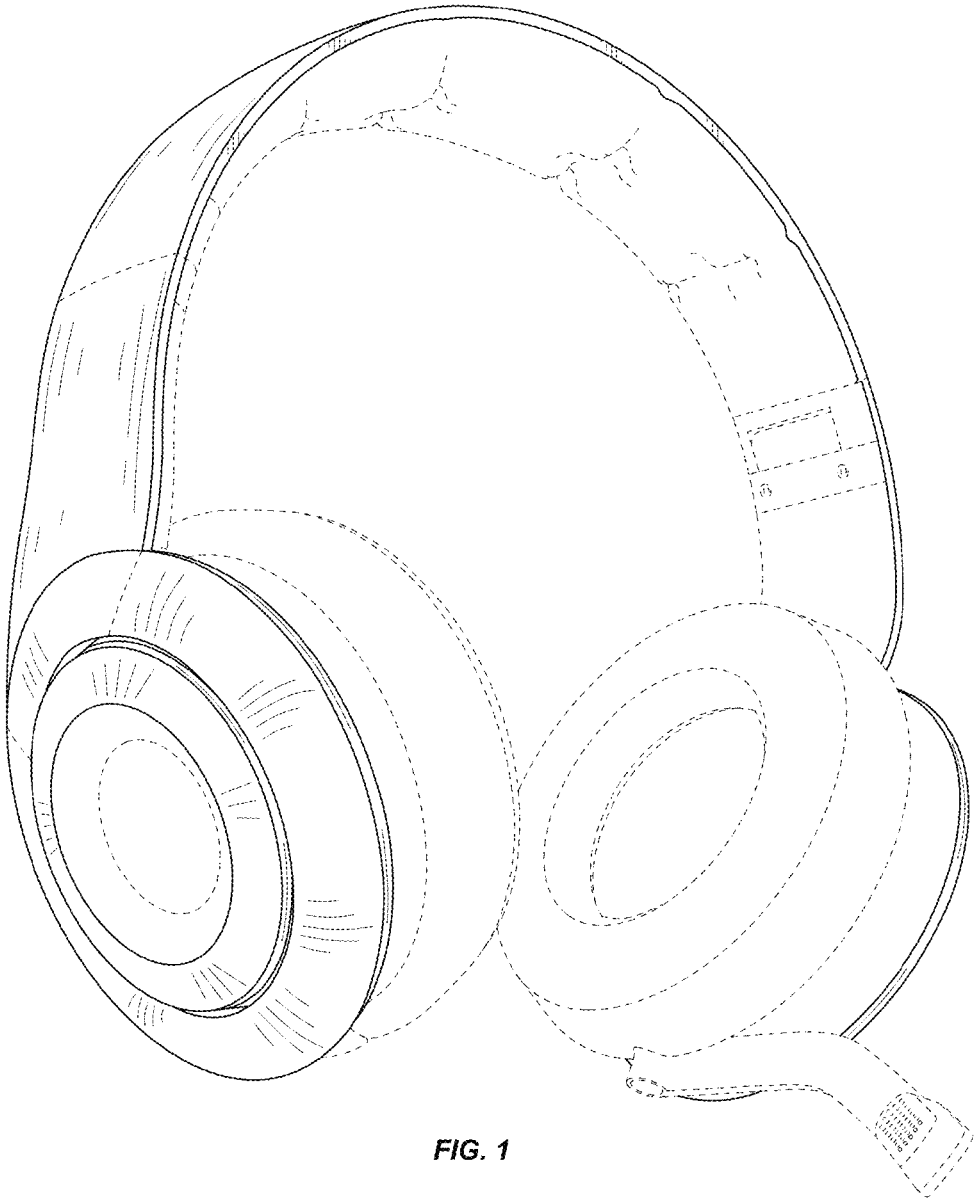


FIG. 1

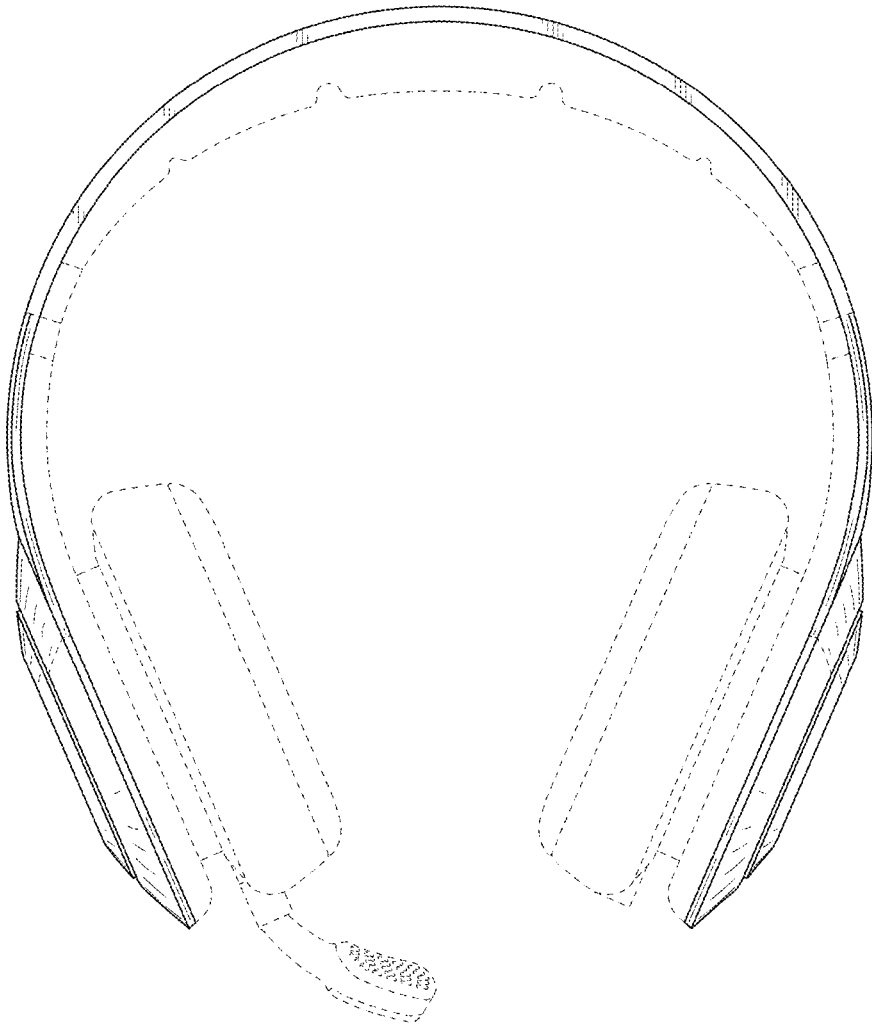


FIG. 2

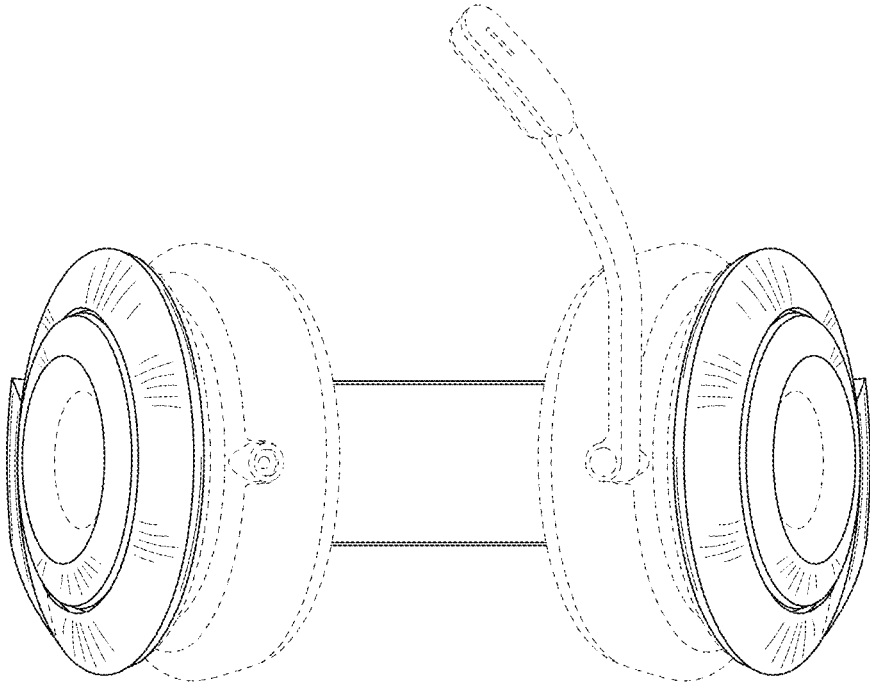


FIG. 3

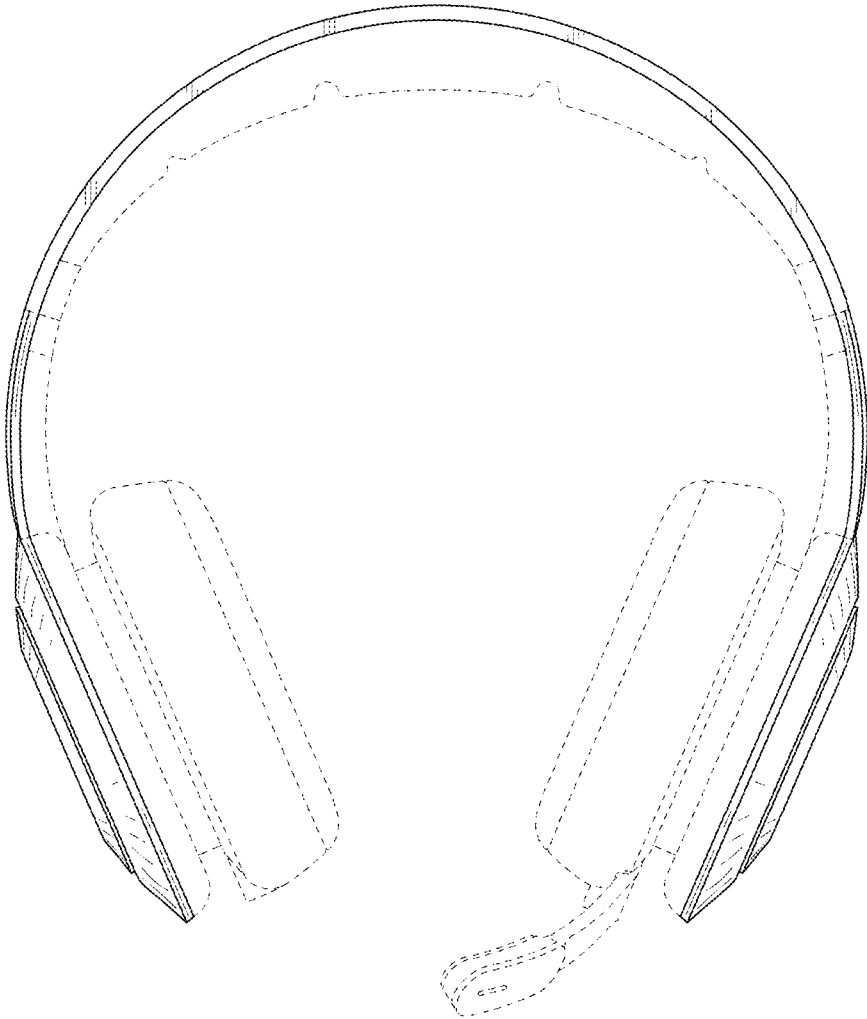


FIG. 4

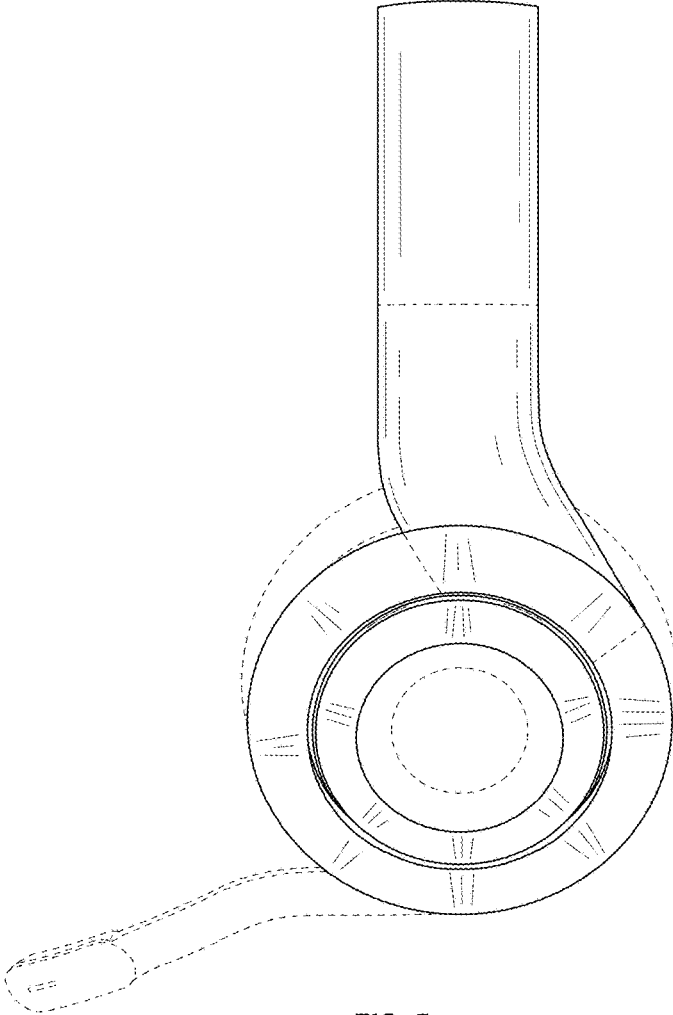


FIG. 5

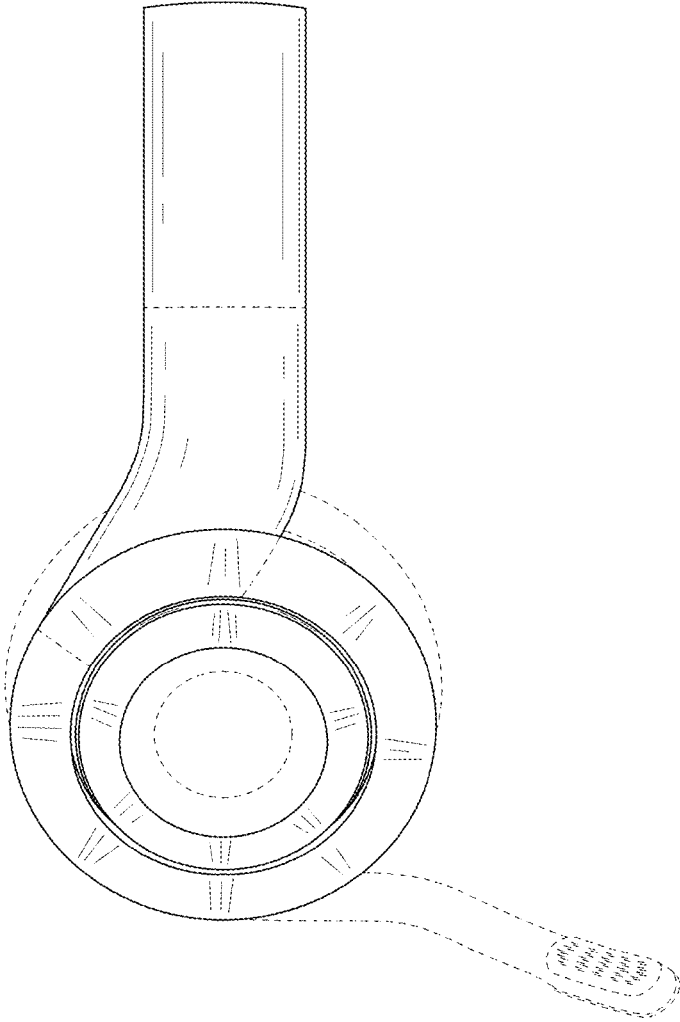


FIG. 6

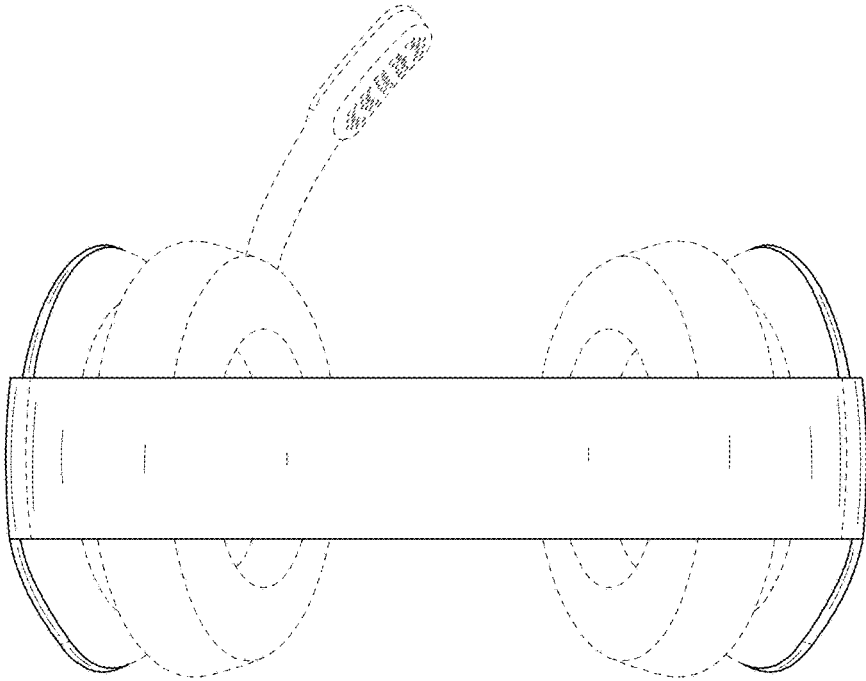


FIG. 7