

[54] COMPACT FOR COSMETICS

[75] Inventor: Morris Sussman, Freeport, N.Y.

[73] Assignee: Shore Plastics, Inc., Freeport, N.Y.

[\*\*] Term: 14 Years

[21] Appl. No.: 162,800

[22] Filed: Jun. 25, 1980

[51] Int. Cl. .... D28-03

[52] U.S. Cl. .... D28/83

[58] Field of Search ..... D3/39; D9/420-423; D28/9, 25, 67, 68, 73, 76-84, 91, 99; 132/1 R, 11 R, 79 R, 79 A, 79 D, 79 F, 79 G, 82 R, 82 C, 82 D, 82 E, 82 F, 102, 148; 206/37, 38, 235, 348, 528, 540, 581, 823; 220/337, 338, 342, 343, 380

[56] References Cited

U.S. PATENT DOCUMENTS

- D. 134,859 1/1943 Dawer ..... D28/77
- D. 256,283 8/1980 Chevassus ..... D28/53
- 2,642,202 6/1953 Cowan ..... 132/83 R

FOREIGN PATENT DOCUMENTS

1298691 5/1962 France ..... 132/79 G

Primary Examiner—Leland A. Sebastian

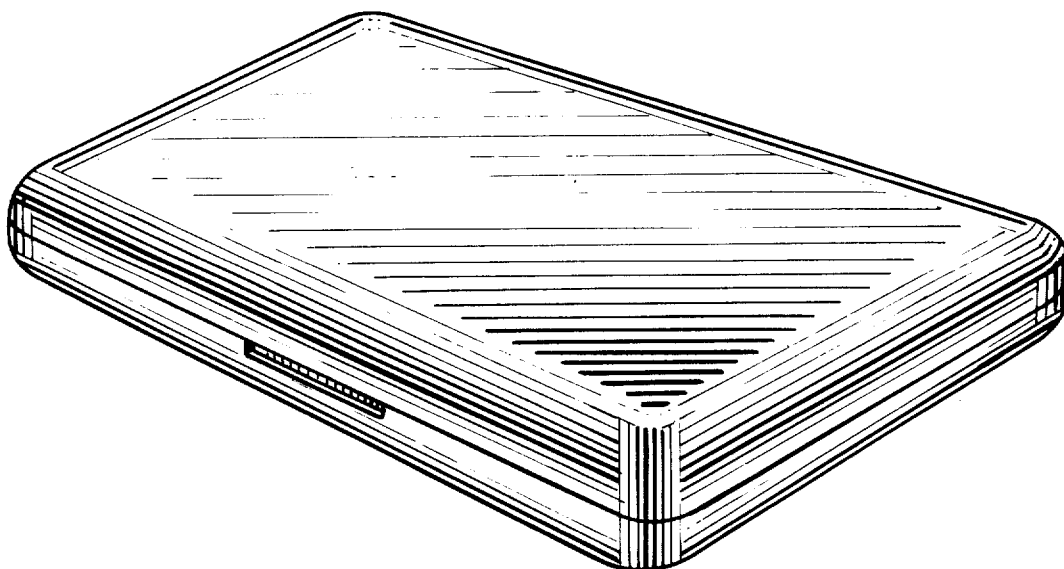
Attorney, Agent, or Firm—Michael Ebert

[57] CLAIM

The ornamental design for a compact for cosmetics, substantially as shown and described.

DESCRIPTION

FIG. 1 is a front perspective view of a compact for cosmetics showing my new design;  
 FIG. 2 is a side elevational view, the opposite side being a mirror image thereof;  
 FIG. 3 is a top plan view thereof;  
 FIG. 4 is a front elevational view thereof;  
 FIG. 5 is a rear elevational view thereof;  
 FIG. 6 is a front perspective view in opened position;  
 FIG. 7 is a front perspective view of a modified version thereof; and  
 FIG. 8 is a front perspective view of the compact of FIG. 7 in opened position.



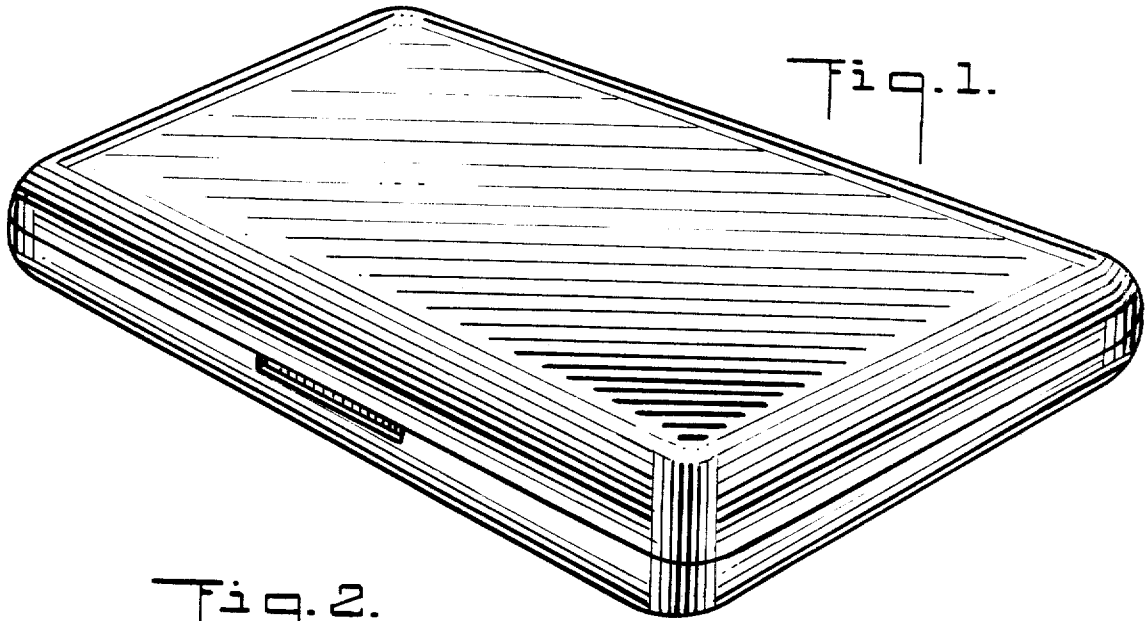


Fig. 2.

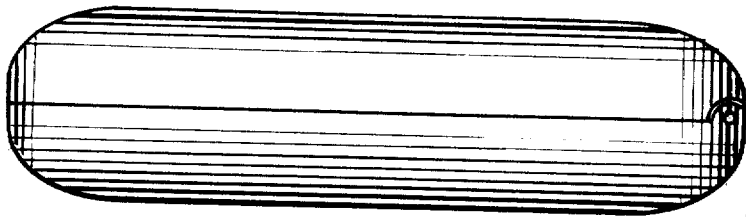


Fig. 3.

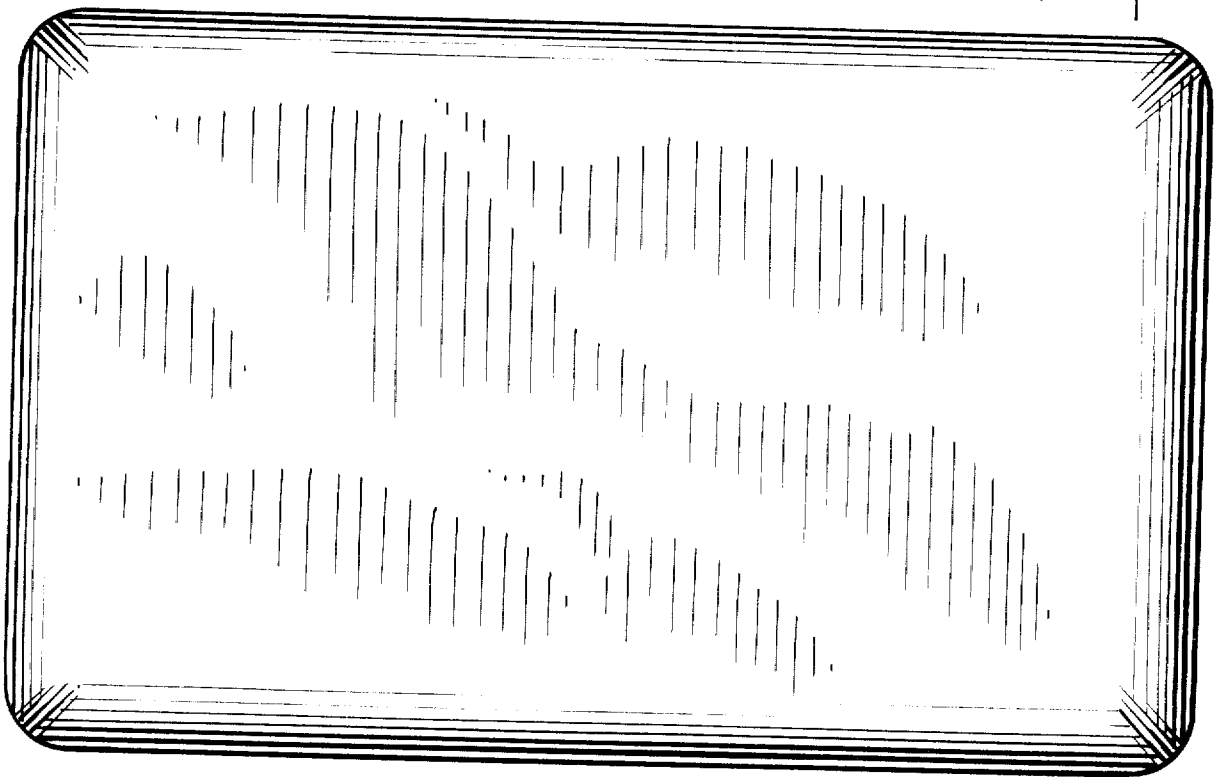


Fig. 6.

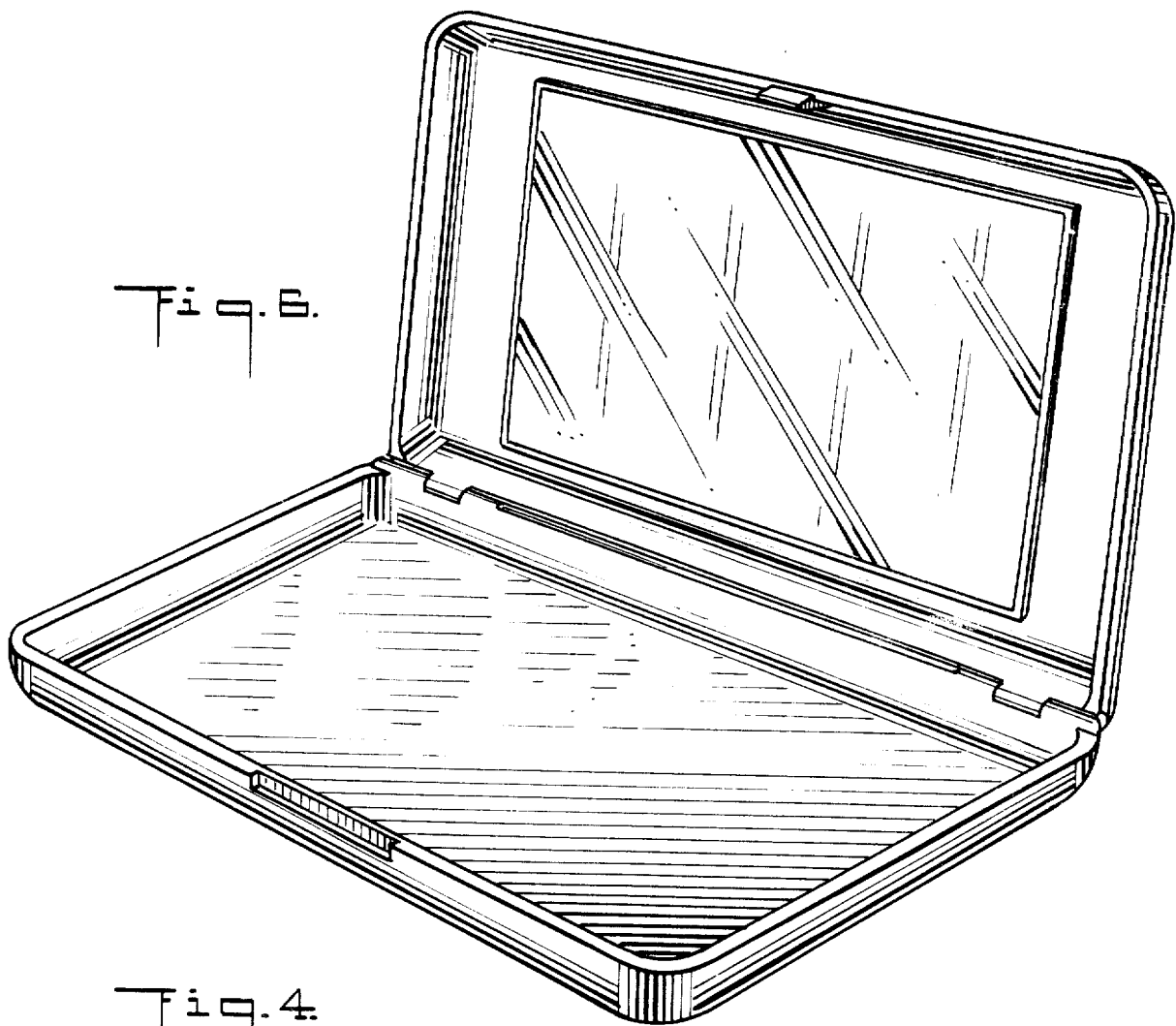


Fig. 4.

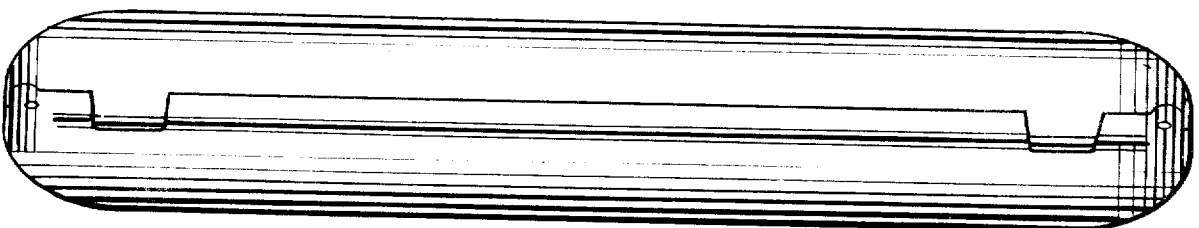
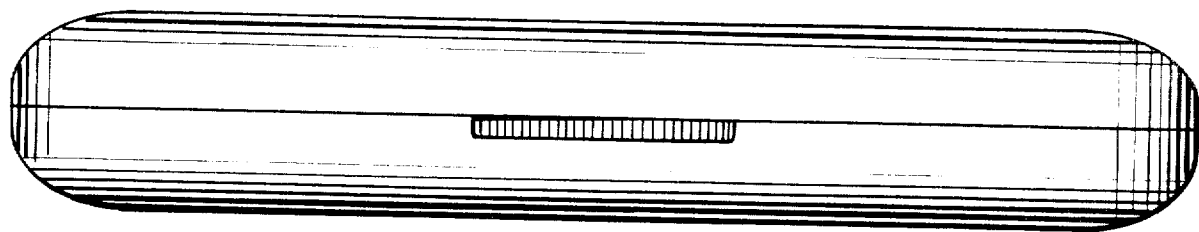


Fig. 5.

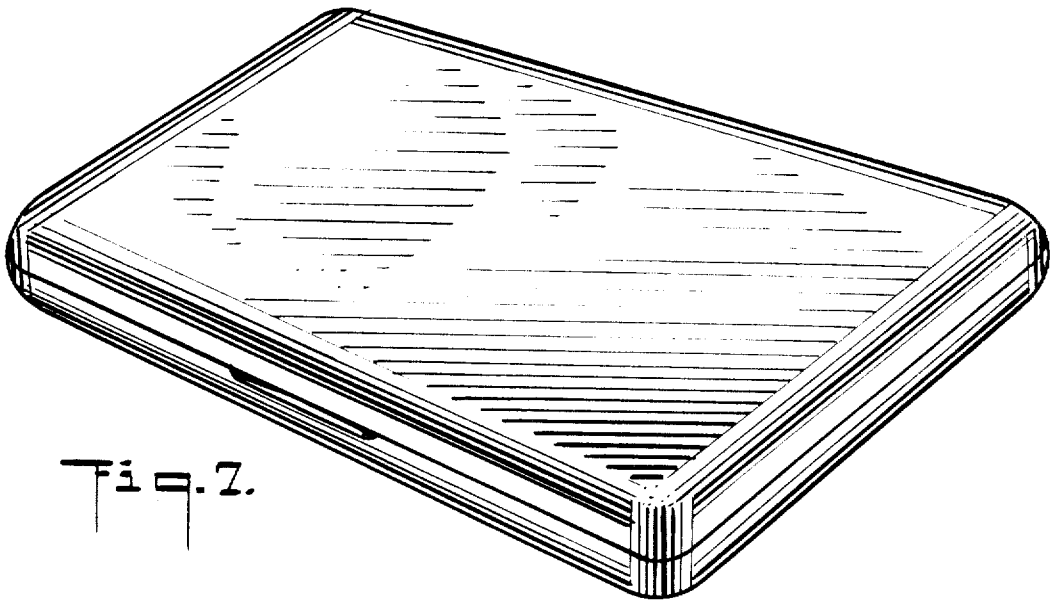


Fig. 2.

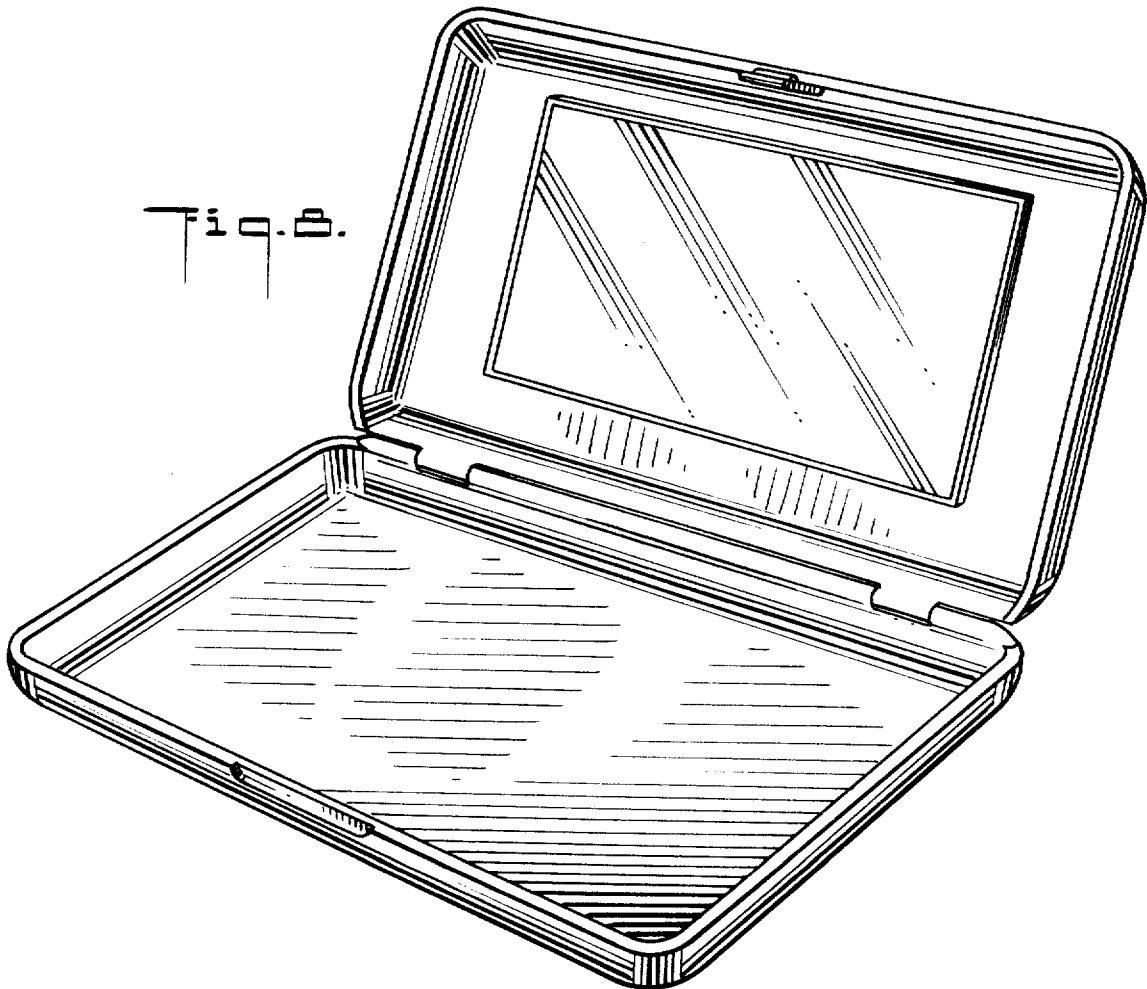


Fig. 3.