



US00D684058S

(12) **United States Design Patent**
Kwon

(10) **Patent No.:** **US D684,058 S**

(45) **Date of Patent:** **** Jun. 11, 2013**

(54) **SAFETY CAP OF POUCH**

(75) Inventor: **Seok-Woong Kwon**, Seoul (KR)

(73) Assignee: **Joongang Platec Co., Ltd.**, Pyongtaek (KR)

(**) Term: **14 Years**

(21) Appl. No.: **29/407,451**

(22) Filed: **Nov. 29, 2011**

(30) **Foreign Application Priority Data**

Sep. 5, 2011 (KR) 30-2011-0037108

(51) **LOC (9) Cl.** **09-07**

(52) **U.S. Cl.**
USPC **D9/453; D9/454**

(58) **Field of Classification Search**
USPC D9/708, 709, 710, 454, 453, 452,
D9/449, 443, 435, 434; D7/391; 220/281;
215/271, 253, 222, 220; 138/96 R
See application file for complete search history.

(56) **References Cited**

U.S. PATENT DOCUMENTS

D145,011 S * 6/1946 Derham D9/453
D290,323 S * 6/1987 Weernink D7/511
D445,679 S * 7/2001 Malmberg D9/434

D505,066 S * 5/2005 Ootubo D9/709
7,028,858 B2 * 4/2006 Auer et al. 215/318
D547,657 S * 7/2007 Tacchella D9/454
D563,797 S * 3/2008 McMorris D9/708
D592,954 S * 5/2009 Capretta et al. D9/453
D617,187 S * 6/2010 Murray D9/435
D670,559 S * 11/2012 Webster D9/453

* cited by examiner

Primary Examiner — Susan Bennett Hattan

(74) *Attorney, Agent, or Firm* — Jefferson IP Law, LLP

(57) **CLAIM**

The ornamental design for a safety cap of pouch, as shown and described.

DESCRIPTION

FIG. 1 is a top perspective view of a safety cap of pouch, showing a new design;
FIG. 2 is a front elevational view thereof;
FIG. 3 is a rear elevational view thereof;
FIG. 4 is a left side elevational view thereof;
FIG. 5 is a right side elevational view thereof;
FIG. 6 is a top plan view thereof;
FIG. 7 is a bottom plan view thereof;
FIG. 8 is a top perspective view thereof showing the safety cap of pouch in an alternative configuration; and,
FIG. 9 is a bottom perspective view thereof showing the safety cap of pouch in the alternative configuration.

1 Claim, 5 Drawing Sheets

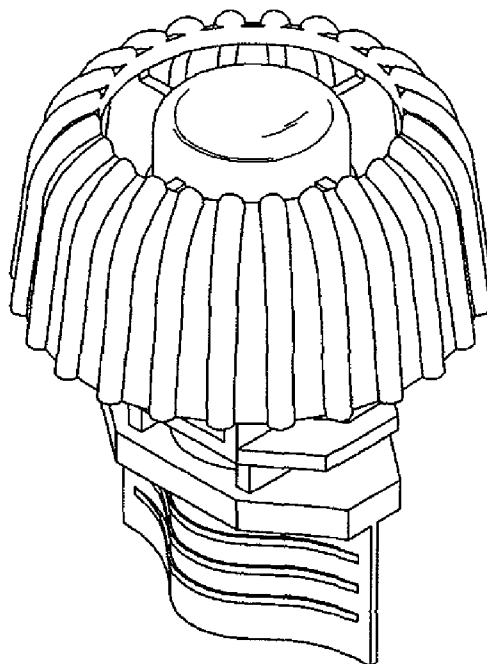


FIG. 1

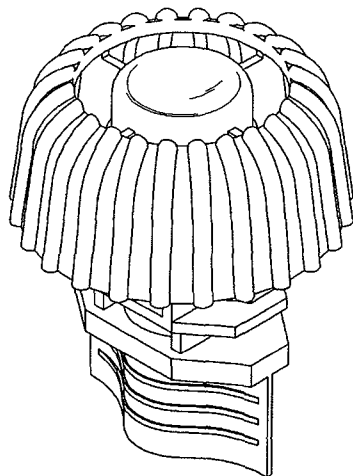
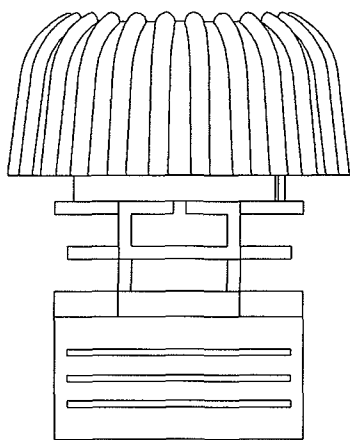


FIG. 2



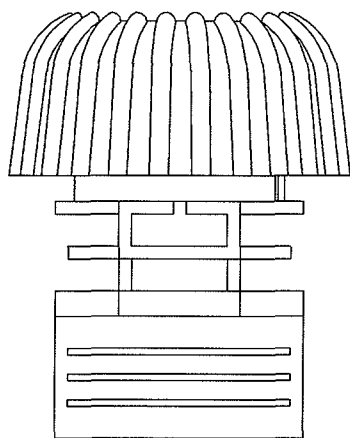


FIG. 3

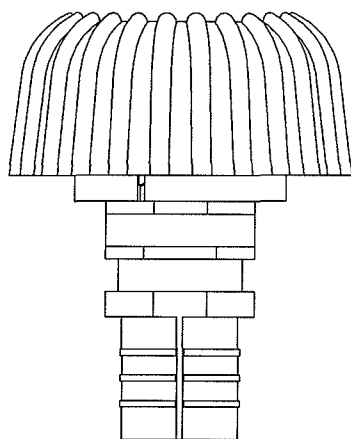


FIG. 4

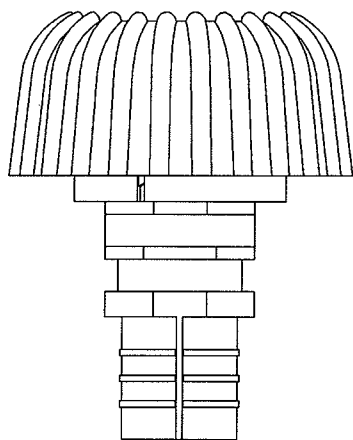


FIG. 5

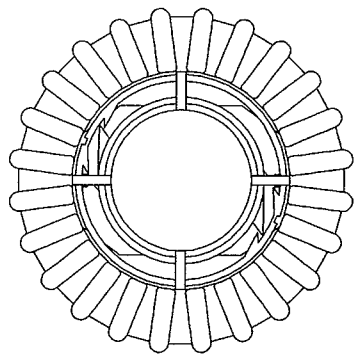


FIG. 6

FIG. 7

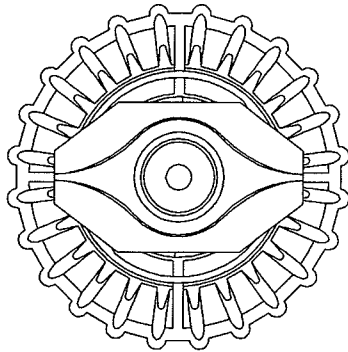
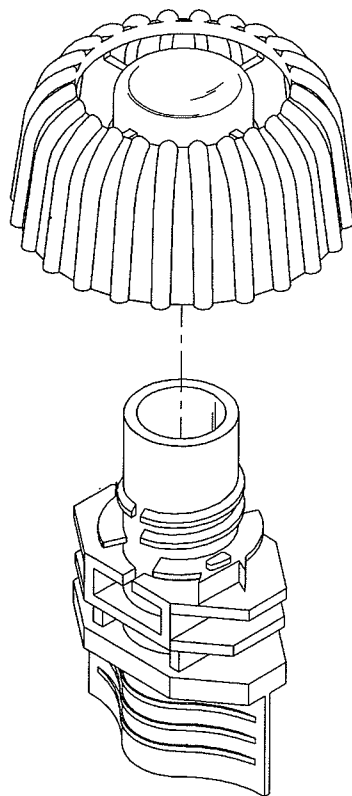


FIG. 8



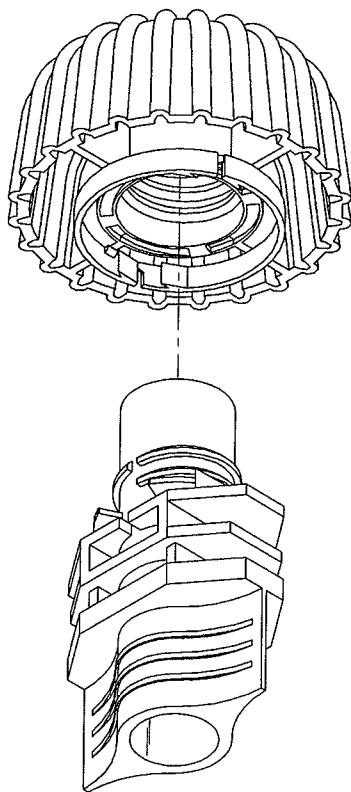


FIG. 9