



US00D877542S

(12) **United States Design Patent**
Ciapala

(10) **Patent No.:** **US D877,542 S**

(45) **Date of Patent:** **** Mar. 10, 2020**

(54) **OFFICE DESK**

(71) Applicant: **Attendance on Demand, Inc.**,
Northville, MI (US)

(72) Inventor: **Christopher Ciapala**, Farmington Hills,
MI (US)

(73) Assignee: **Attendance on Demand, Inc.**,
Northville, MI (US)

(**) Term: **15 Years**

(21) Appl. No.: **29/638,598**

(22) Filed: **Feb. 28, 2018**

(51) **LOC (12) Cl.** **06-03**

(52) **U.S. Cl.**

USPC **D6/652**; D6/655.11

(58) **Field of Classification Search**

USPC D6/567, 574, 641, 642, 647, 648, 652,
D6/653.11, 653.17, 654.17, 655.17,
D6/655.18, 656, 656.13, 681, 691.6, 705,
D6/705.4

CPC A47B 83/00; A47B 83/001; A47B 5/00;
A47B 5/006; A47B 57/00; A47B 57/30;
A47B 57/54; A47B 87/02

See application file for complete search history.

(56) **References Cited**

U.S. PATENT DOCUMENTS

D143,265	S	*	12/1945	Brainard	D6/652
D236,067	S	*	7/1975	Peters, Jr.	D7/340
D302,497	S	*	8/1989	Zapf	D6/652
4,884,513	A		12/1989	Newhouse et al.		
D318,385	S	*	7/1991	Newhouse	D6/652
D319,935	S	*	9/1991	Heidmann	D6/652
D352,405	S	*	11/1994	Scheffers	D6/647
D452,085	S	*	12/2001	Chang	D6/652
D496,183	S	*	9/2004	Savage	D6/652
D500,613	S	*	1/2005	Savage	D6/652

(Continued)

Primary Examiner — Mary Ann Calabrese

Assistant Examiner — Catherine Ho

(74) *Attorney, Agent, or Firm* — Young Basile Hanlon &
MacFarlane, P.C.

(57) **CLAIM**

The ornamental design for an office desk, as shown and described.

DESCRIPTION

FIG. 1 is an upper, rear, right perspective view of a first embodiment of an office desk.

FIG. 2 is rear elevation view of the office desk of FIG. 1.

FIG. 3 is a front elevation view of the office desk of FIG. 1.

FIG. 4 is a right-side elevation view of the office desk of FIG. 1.

FIG. 5 is left-side elevation view of the office desk of FIG. 1.

FIG. 6 is a top view of the office desk of FIG. 1.

FIG. 7 is a bottom view of the office desk of FIG. 1.

FIG. 8 is an upper, rear, left perspective view of a second embodiment of an office desk showing a desk, a mirrored design of the first embodiment.

FIG. 9 is rear elevation view of the office desk of FIG. 8.

FIG. 10 is a front elevation view of the office desk of FIG. 8.

FIG. 11 is a left-side elevation view of the office desk of FIG. 8.

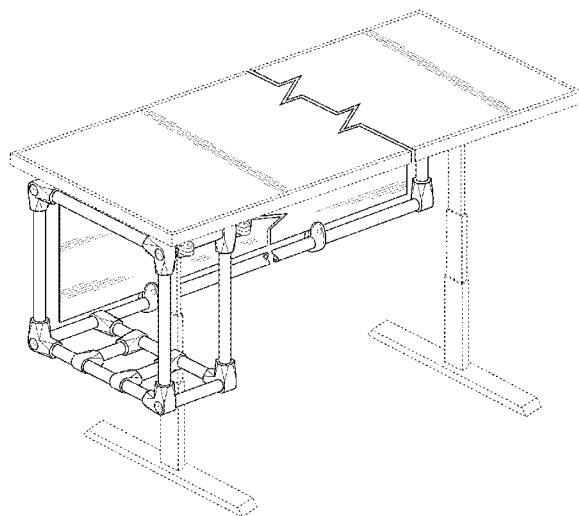
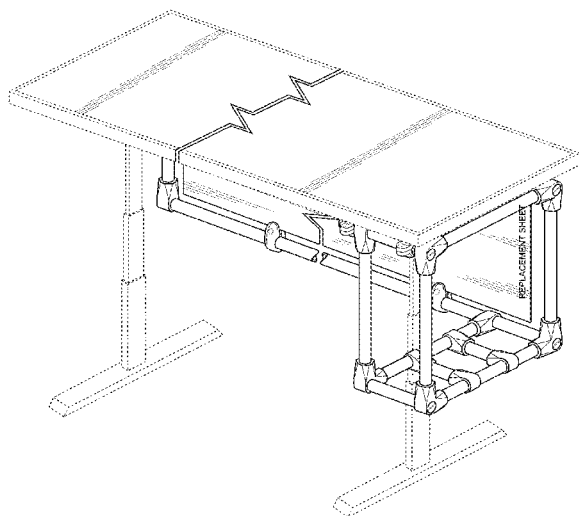
FIG. 12 is right-side elevation view of the office desk of FIG. 8.

FIG. 13 is a top view of the office desk of FIG. 8; and,

FIG. 14 is a bottom view of the office desk of FIG. 8.

The broken line portion of the figure drawings is included to show portions of the article that form no part of the claimed design. The article is shown with a symbolic break in its length. The appearance of any portion of the article between the break lines forms no part of the claimed design.

1 Claim, 12 Drawing Sheets



(56)

References Cited

U.S. PATENT DOCUMENTS

D732,851 S *	6/2015	Lange	D6/652
D735,492 S *	8/2015	Coffman	D6/555
D846,916 S *	4/2019	Lopez	D6/655.1

* cited by examiner

FIG. 1

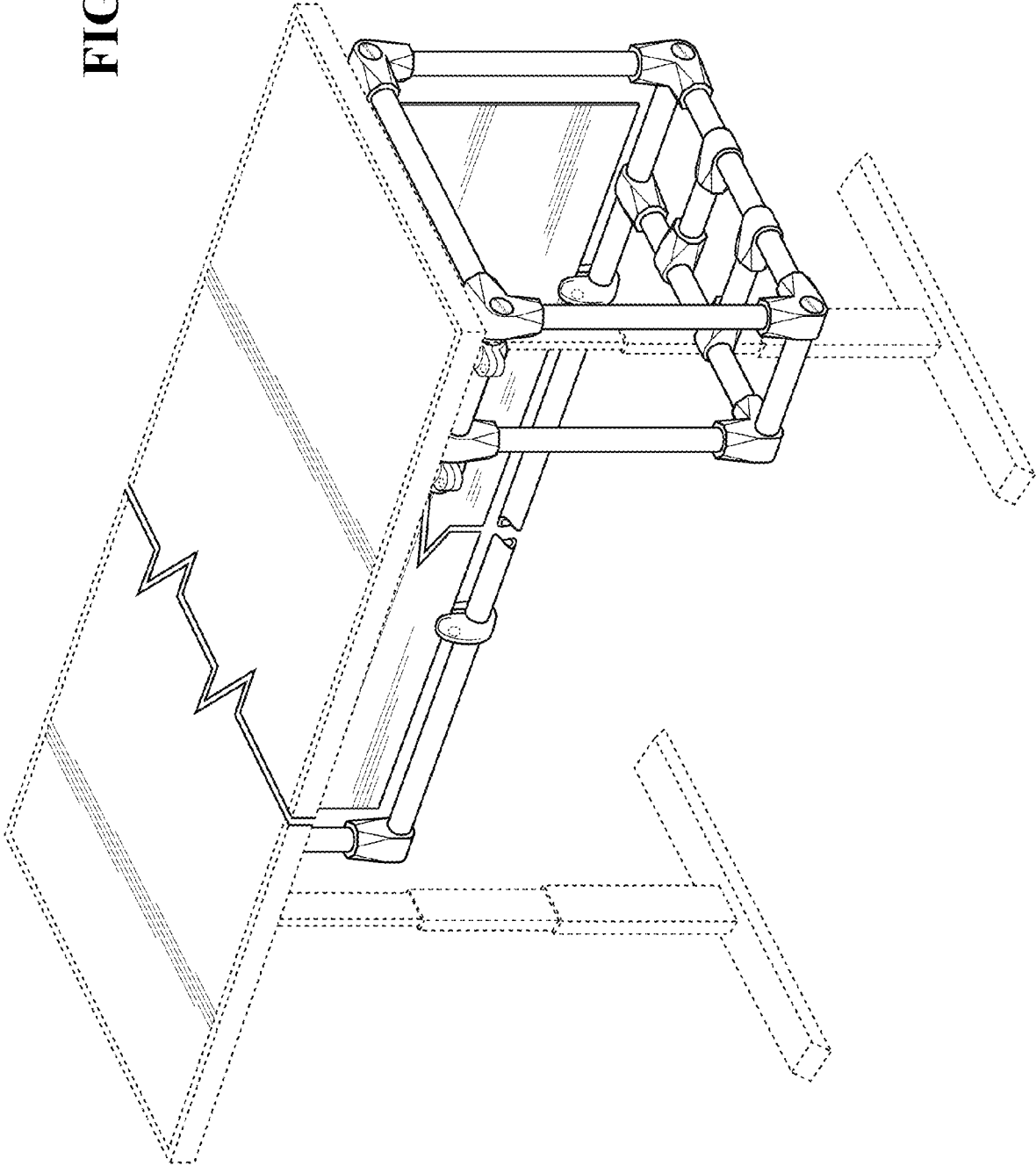


FIG. 2

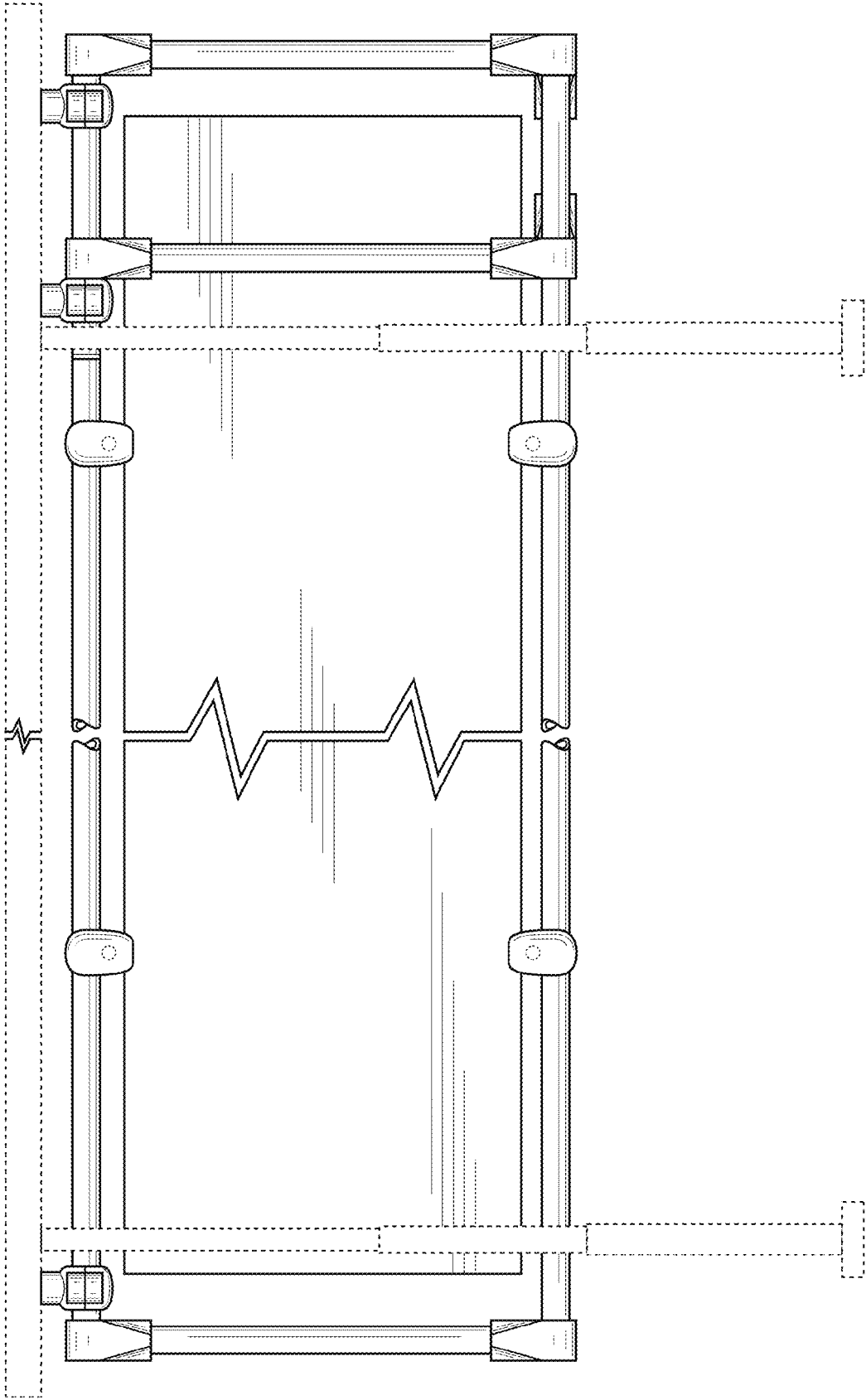


FIG. 3

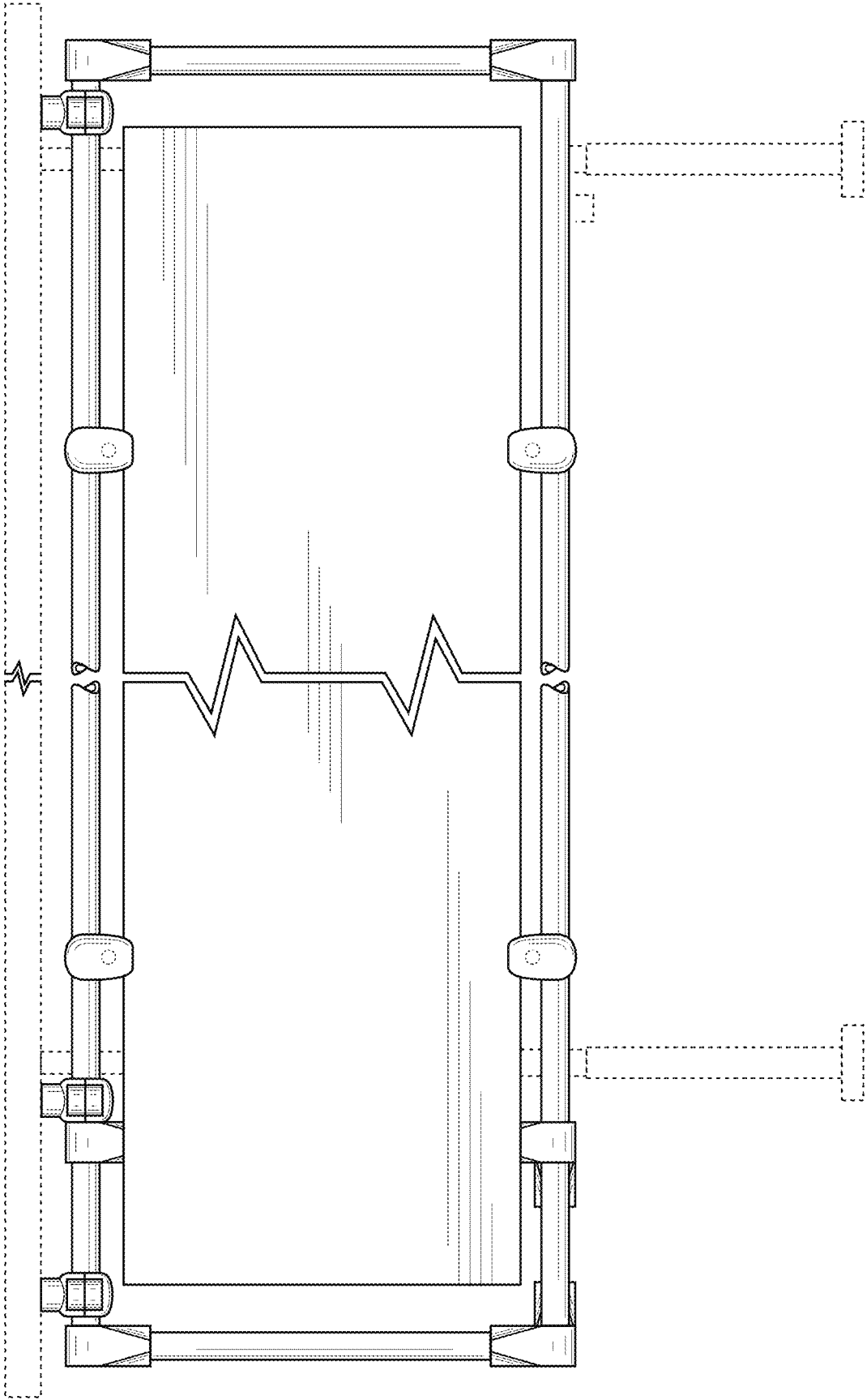


FIG. 5

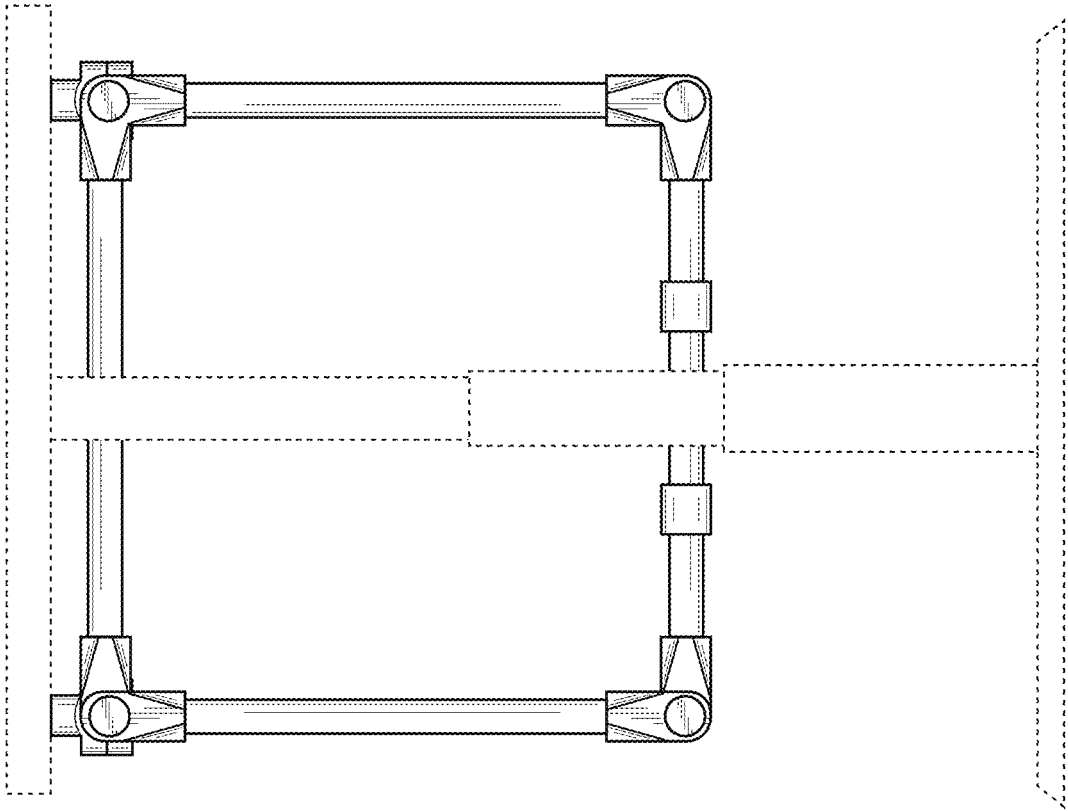
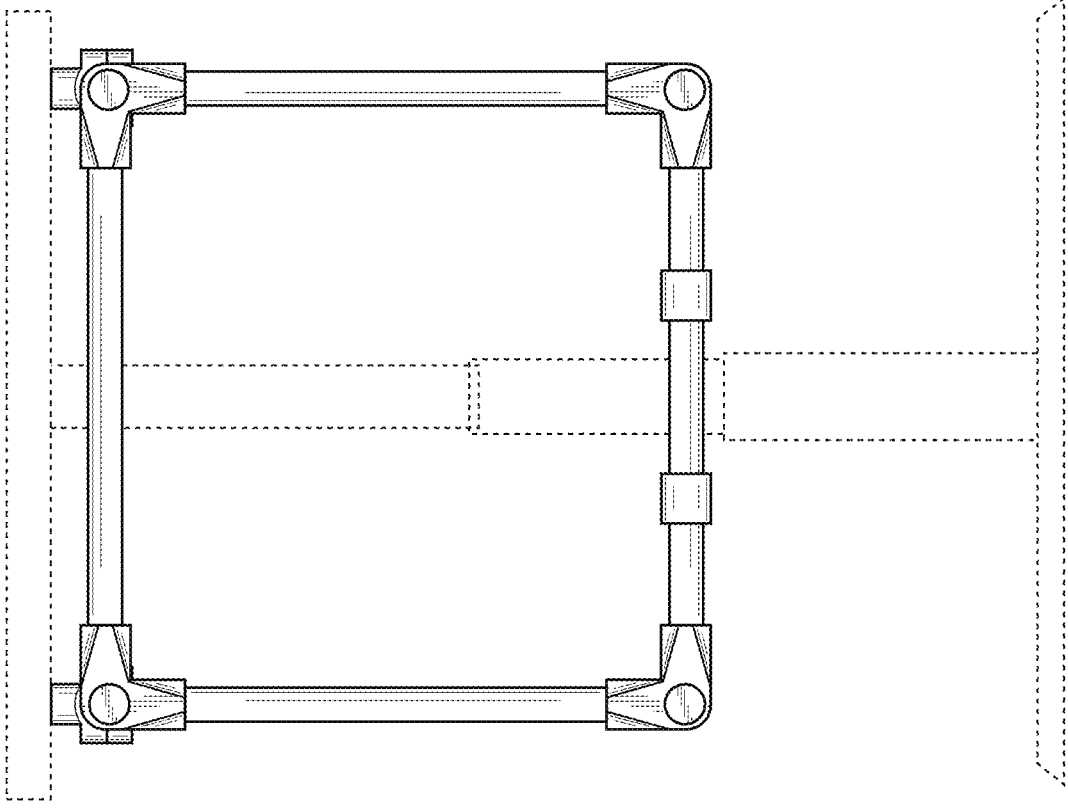


FIG. 4



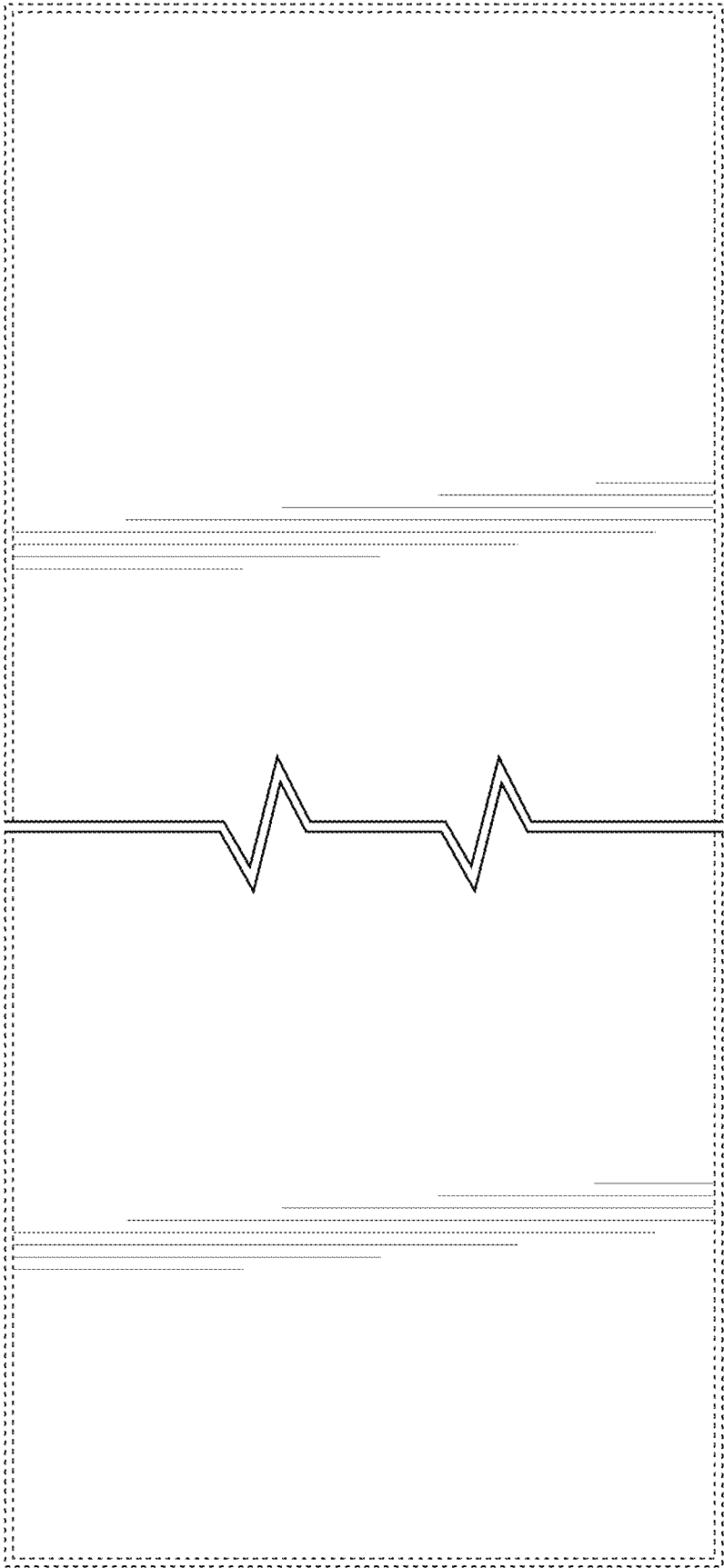


FIG. 6

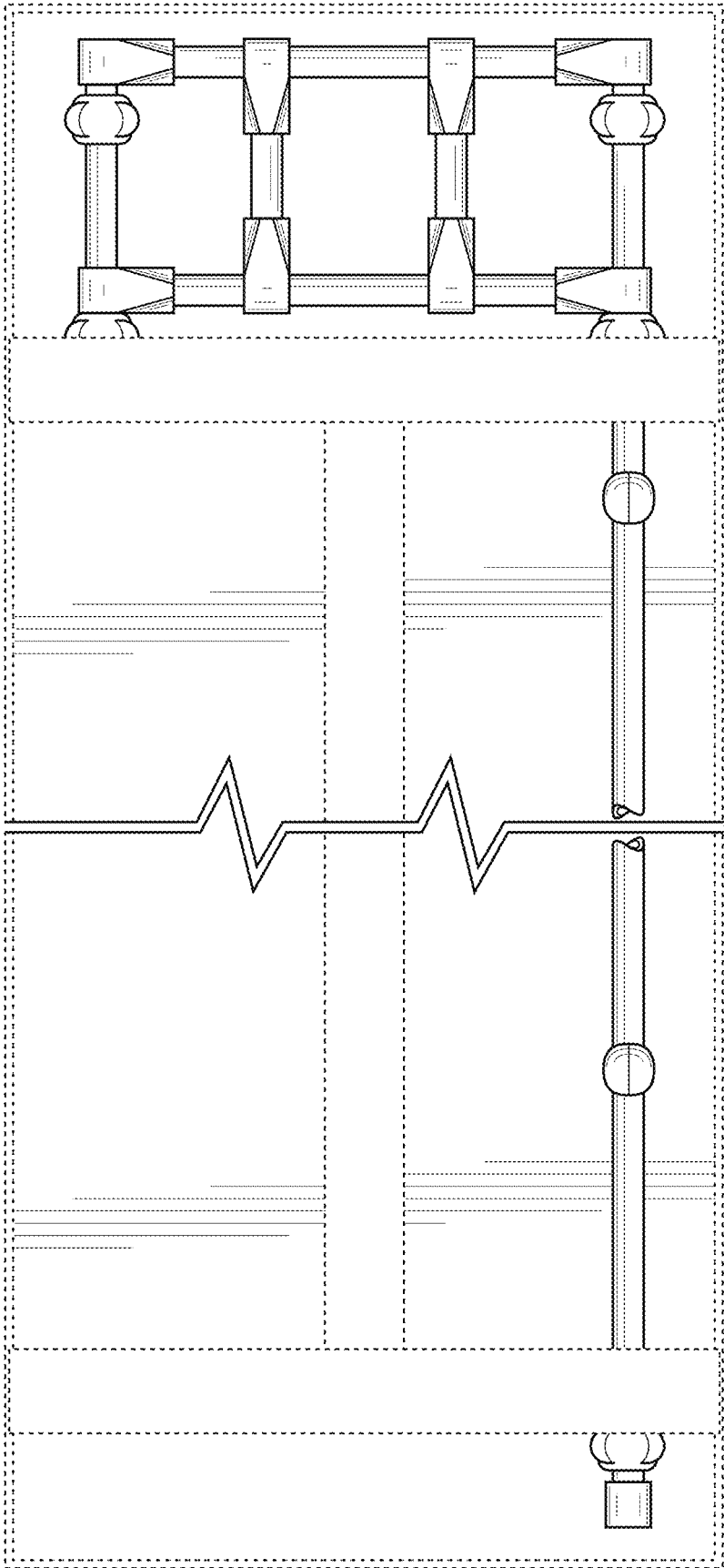


FIG. 7

FIG. 8

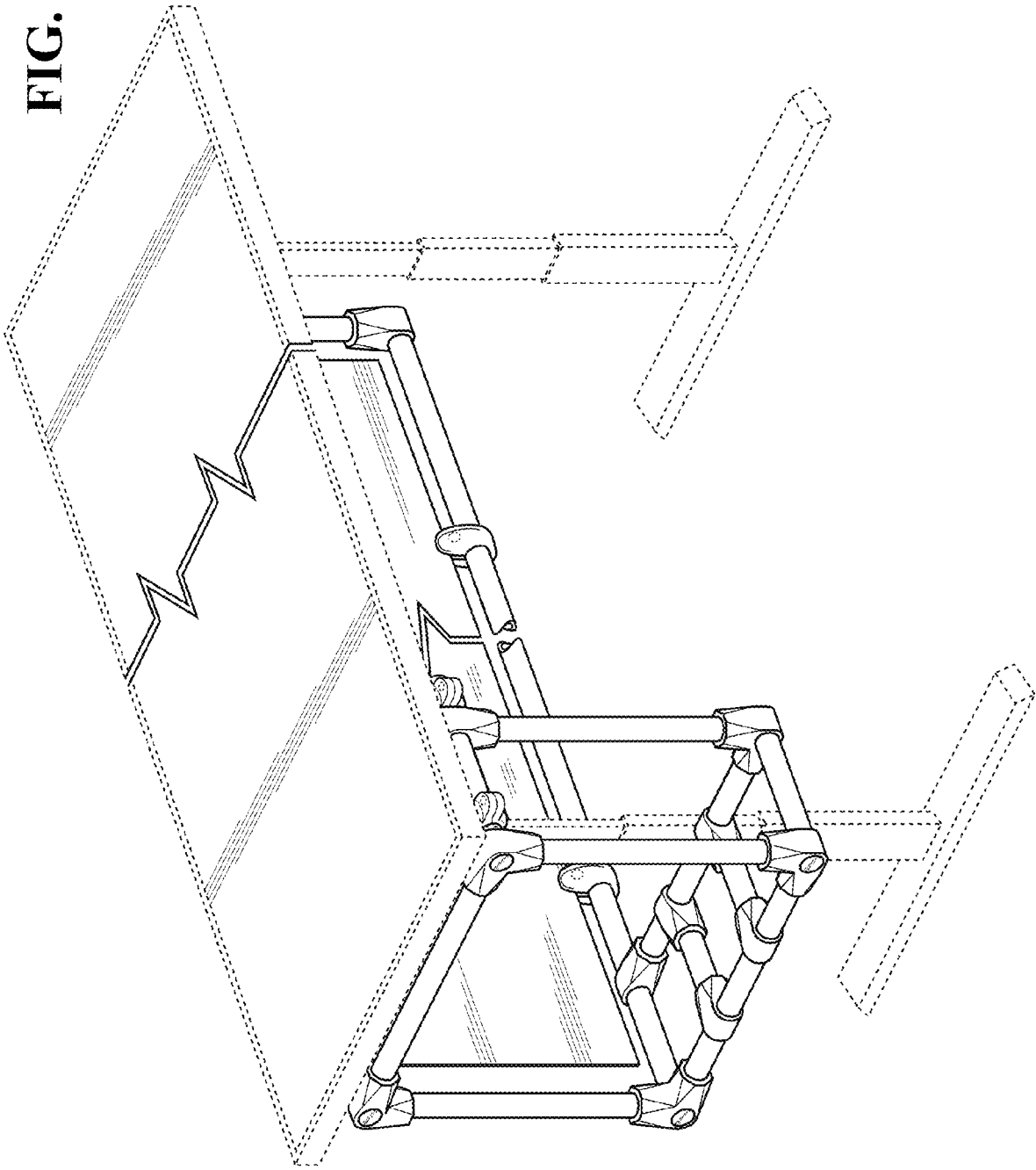


FIG. 9

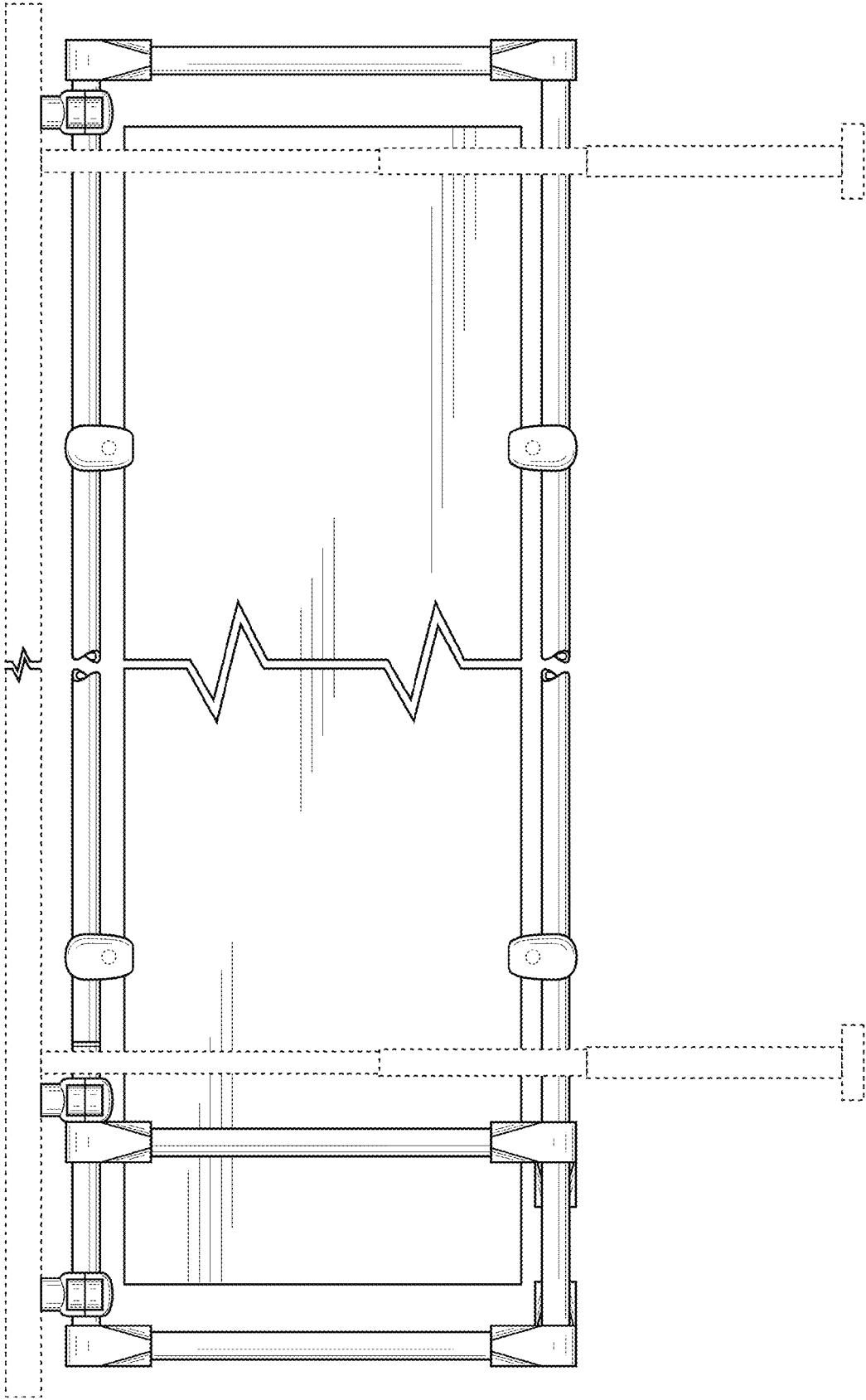


FIG. 10

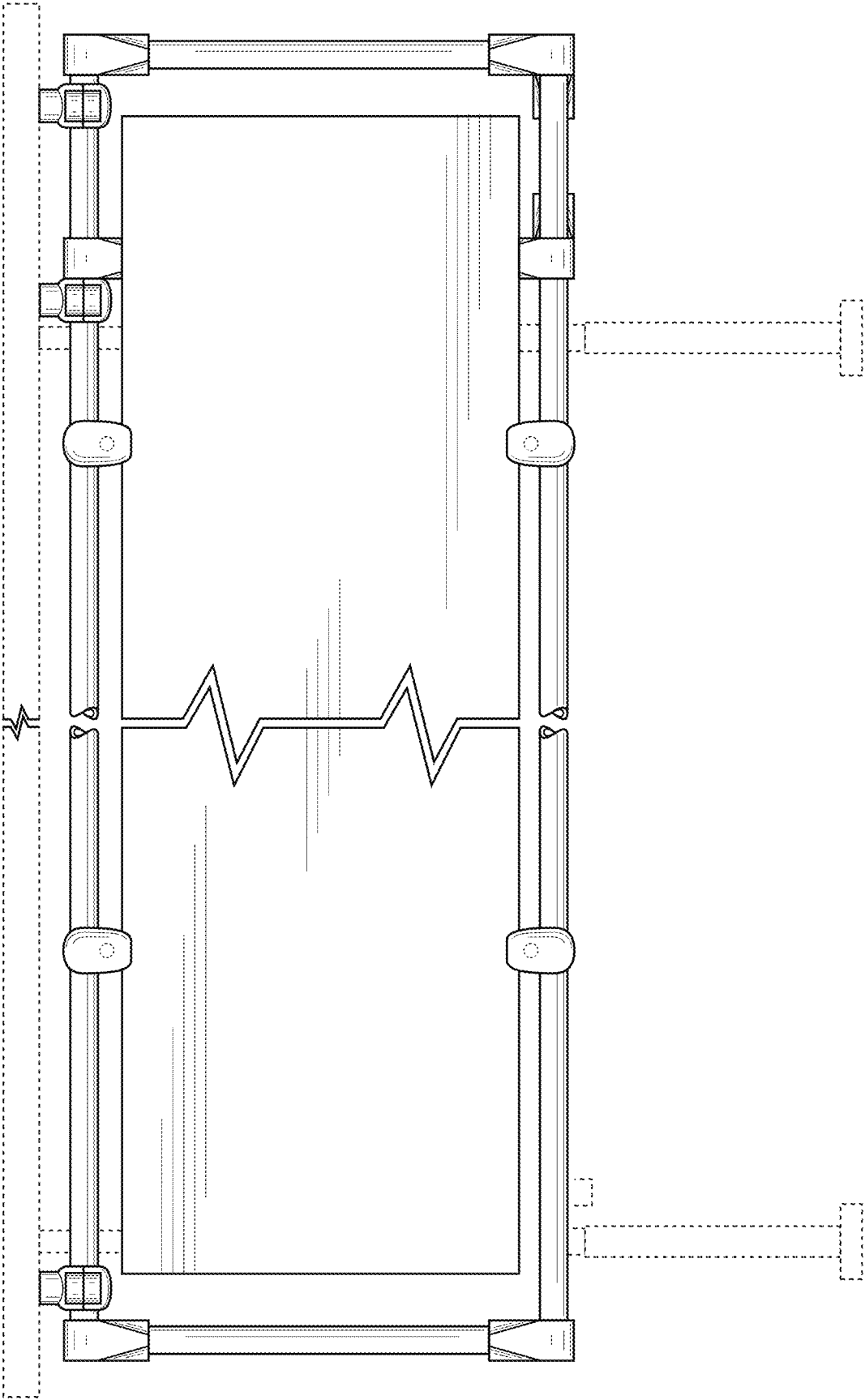


FIG. 12

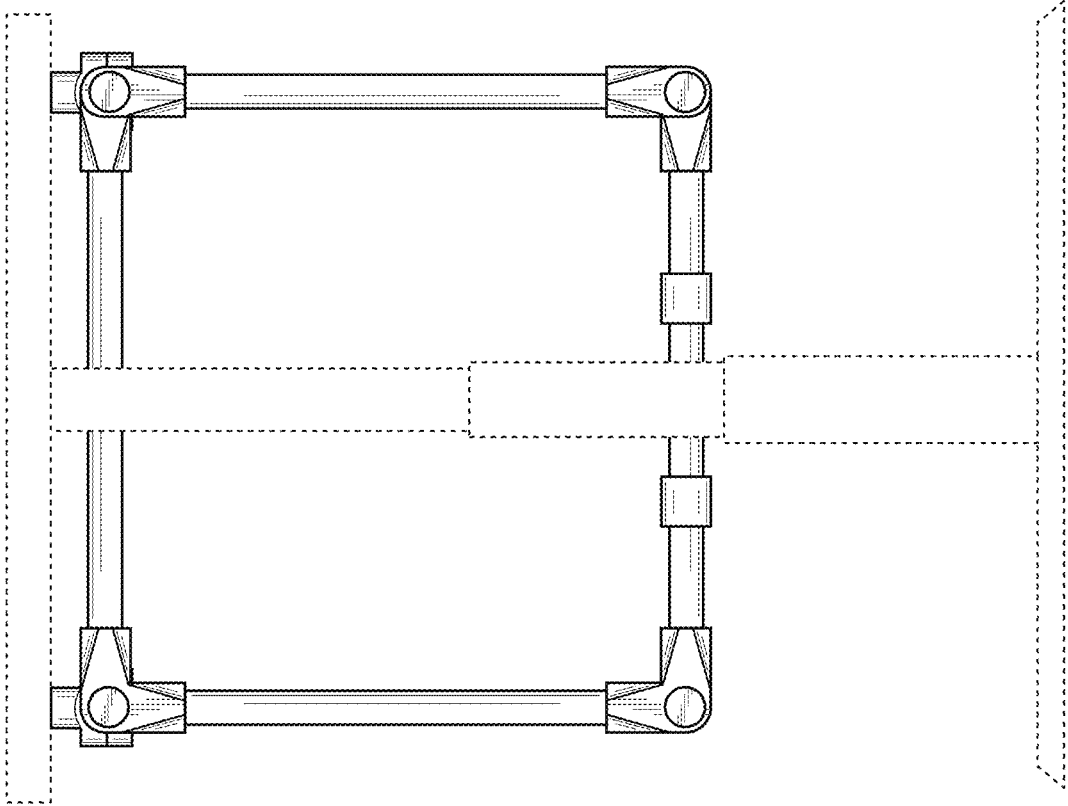
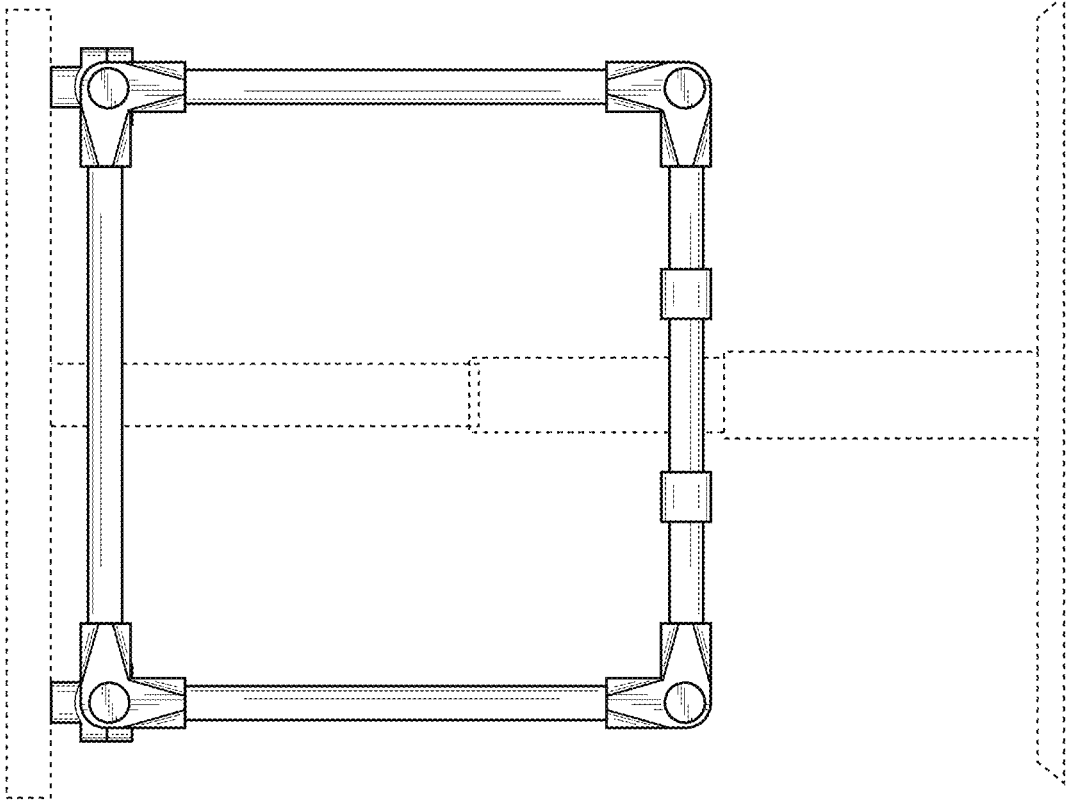


FIG. 11



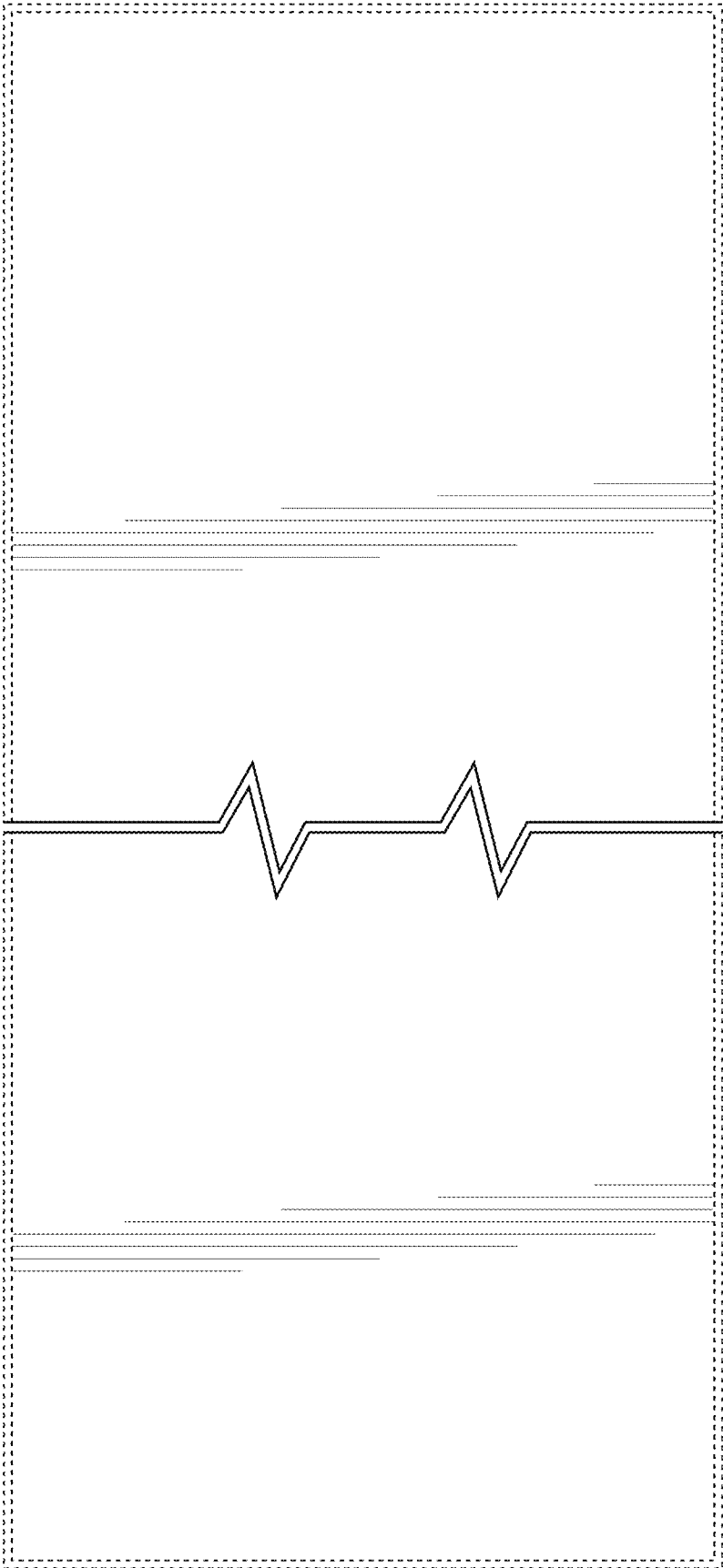


FIG. 13

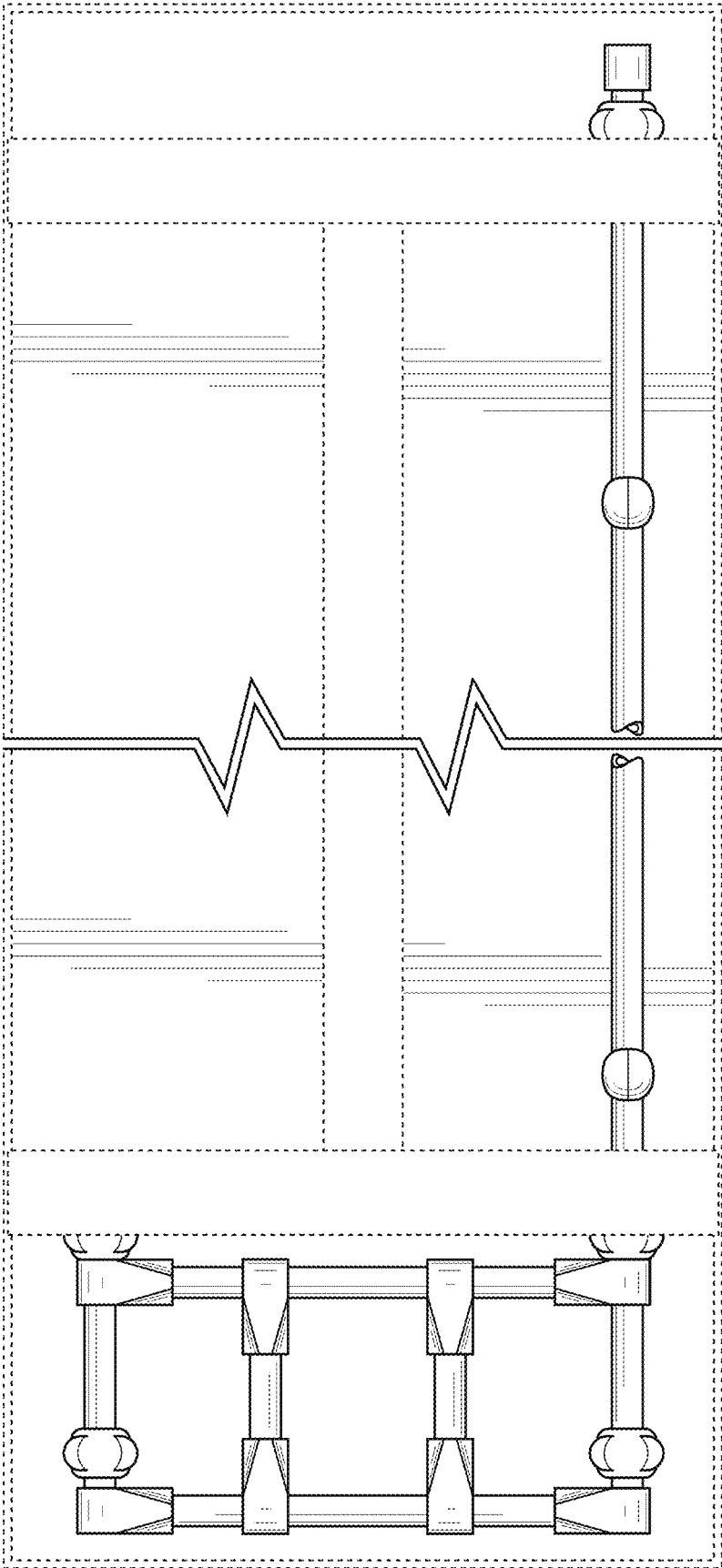


FIG. 14