



US00D937830S

(12) **United States Design Patent**  
**Li et al.**

(10) **Patent No.:** **US D937,830 S**

(45) **Date of Patent:** **\*\* \*Dec. 7, 2021**

- (54) **BUILDING CONTROLLER**
- (71) Applicant: **Honeywell International Inc.**, Morris Plains, NJ (US)
- (72) Inventors: **Peilin Li**, Shanghai (CN); **Haitao Li**, Beijing (CN); **Zhang Ke**, Beijing (CN); **Yidan Zhao**, Shanghai (CN); **Mu Yong**, Beijing (CN); **Cary Leen**, Hammond, WI (US); **Stefan Andreas Schmidt**, Böblingen (DE)
- (73) Assignee: **Honeywell International Inc.**, Charlotte, NC (US)
- (\* ) Notice: This patent is subject to a terminal disclaimer.
- (\*\*) Term: **15 Years**

- D596,963 S 7/2009 Novotny et al.
- D596,964 S 7/2009 Wang et al.
- D607,843 S 1/2010 Borax
- D620,454 S 7/2010 Lissola et al.
- D628,199 S 11/2010 Yukikado et al.
- (Continued)

**OTHER PUBLICATIONS**

“Advantech Introduces New Direct Controller with Integrated BACNet Router-BAS-3500BC,” Advantech, 1 page, Dec. 2012.  
(Continued)

*Primary Examiner* — Selina Sikder  
(74) *Attorney, Agent, or Firm* — Seager, Tufte & Wickhem, LLP

- (21) Appl. No.: **29/720,592**
- (22) Filed: **Jan. 14, 2020**

(57) **CLAIM**  
The ornamental design for a building controller, as shown and described.

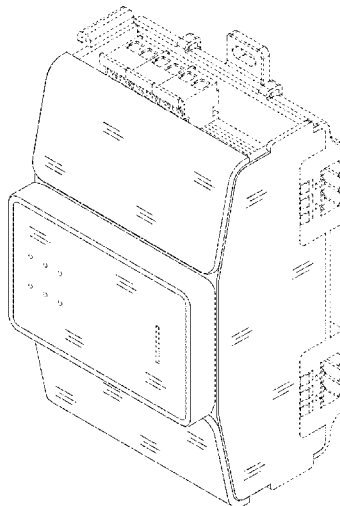
**DESCRIPTION**

- (51) **LOC (13) Cl.** ..... **14-02**
  - (52) **U.S. Cl.**  
USPC ..... **D14/358**; D13/162.1
  - (58) **Field of Classification Search**  
USPC ..... D13/162, 162.1, 184; D10/49, 50;  
D14/240, 358  
CPC ..... G06F 1/181; G05B 11/01; G05B 15/02;  
G08C 17/00; G08C 17/02; H01Q 1/007;  
H04W 88/005; H04W 88/02; H04W 88/08;  
H04W 88/085; H04W 88/10; H04W 88/12;  
H04W 88/14; H04W 88/16; G11B 33/08;  
G11B 33/126; G11B 33/128; H02J 7/0042; H02J 7/0044; H02J 7/0068
- See application file for complete search history.

FIG. 1 is a perspective view of a building controller; FIG. 2 is a front elevation view of the building controller of FIG. 1; FIG. 3 is a left side view of the building controller of FIG. 1; FIG. 4 is a right side view of the building controller of FIG. 1; FIG. 5 is a top plan view of the building controller of FIG. 1; FIG. 6 is a bottom plan view of the building controller of FIG. 1; and, FIG. 7 is a perspective view of the building controller of FIG. 1 with top and bottom covers removed. In the drawings, the claimed design is defined by the shaded surfaces; broken lines immediately adjacent shaded surfaces represent boundaries of the claim and form no part thereof; all other broken lines depict unclaimed environmental subject matter and form no part of the claim.

- (56) **References Cited**  
U.S. PATENT DOCUMENTS  
D400,180 S 10/1998 Shimizu  
D578,029 S 10/2008 Plewa

**1 Claim, 7 Drawing Sheets**



(56)

**References Cited**

U.S. PATENT DOCUMENTS

D659,652 S	5/2012	Wong	
D678,084 S	3/2013	Beland et al.	
D705,223 S	5/2014	Akana et al.	
D720,633 S	1/2015	Novotny et al.	
D735,667 S	8/2015	Mielnik et al.	
D758,365 S	6/2016	Shimano et al.	
D762,842 S	8/2016	Kokeny et al.	
D765,031 S	8/2016	Mielnik et al.	
D768,585 S	10/2016	Moore et al.	
D774,005 S	12/2016	Ye et al.	
D792,353 S	7/2017	Yoshida et al.	
D793,967 S	8/2017	Leeland et al.	
D815,606 S	4/2018	Nada et al.	
D828,816 S	9/2018	Spors et al.	
D865,731 S	11/2019	Sun et al.	
D873,269 S	1/2020	Hu et al.	
D902,204 S	* 11/2020	Li	D14/358
D902,925 S	* 11/2020	Li	D14/358
D905,689 S	* 12/2020	Li	D14/358
D905,690 S	* 12/2020	Li	D14/358
D907,633 S	* 1/2021	Li	D14/358
D914,017 S	* 3/2021	Li	D14/358

OTHER PUBLICATIONS

“Advantech Launches Full-Featured Building Automation Controller Series,” Design World Staff, 9 pages, Jan. 28, 2009.  
 U.S. Appl. No. 29/662,117, “Building Controller,” filed Sep. 1, 2018.

U.S. Appl. No. 29/662,118, “User Interface Module And Mounting Base For A Building Control System,” filed Sep. 1, 2018.  
 JACE 8000 Controller; before Jan. 1, 2017; 6 pgs; [https://www.google.com/search?q=Honeywell+International+building+controller+before%3A2017-01-01&tbm=isch&ved=2ahUKEwj70K6EsZDoAhWJBN8KHbFPB1sQ2-cCegQIABAA&dq=Honeywell+International+building+controller+before%3A2017-01-01&gs\\_l=img.3...378229.396120..397891...6](https://www.google.com/search?q=Honeywell+International+building+controller+before%3A2017-01-01&tbm=isch&ved=2ahUKEwj70K6EsZDoAhWJBN8KHbFPB1sQ2-cCegQIABAA&dq=Honeywell+International+building+controller+before%3A2017-01-01&gs_l=img.3...378229.396120..397891...6).  
 I/O Modules UI-8/AO-4 and UI-8/AO-4-H, 2 pages, <https://ecostructure-building-help.se.com/bms/Topics/show.castle?id=807>, accessed Jan. 10, 2020.  
 Distech Datasheet/ 05DI-DSEL600-17, ECL-600 and ECx-400 Series, Distech Conliuls, 8 pages, 2011.  
 Honeywell Hardware Reference Guide, 114 pages, Jan. 2020.  
 Universal Controller Screen Assign I/O HOA—Google Search, 31 pages, accessed Jan. 10, 2020. <https://www.google.com/search?client=firefox-b-1-d&biw=1812&bih=1357&tbm=isch&sa=1&ei=CsYYXu3qEeKp5wLr67qgBw&q=universal+controller+screen>.  
 Peilin Li, et al., U.S. Appl. No. 29/720,608, filed Jan. 14, 2020 (9 pgs).  
 Peilin Li, et al., U.S. Appl. No. 29/720,573, filed Jan. 14, 2020 (9 pgs).  
 Peilin Li, et al., U.S. Appl. No. 29/720,581, filed Jan. 14, 2020 (9 pgs).  
 Peilin Li, et al., U.S. Appl. No. 29/720,594, filed Jan. 14, 2020 (9 pgs).  
 Peilin Li, et al., U.S. Appl. No. 29/720,605, filed Jan. 14, 2020 (9 pgs).

\* cited by examiner

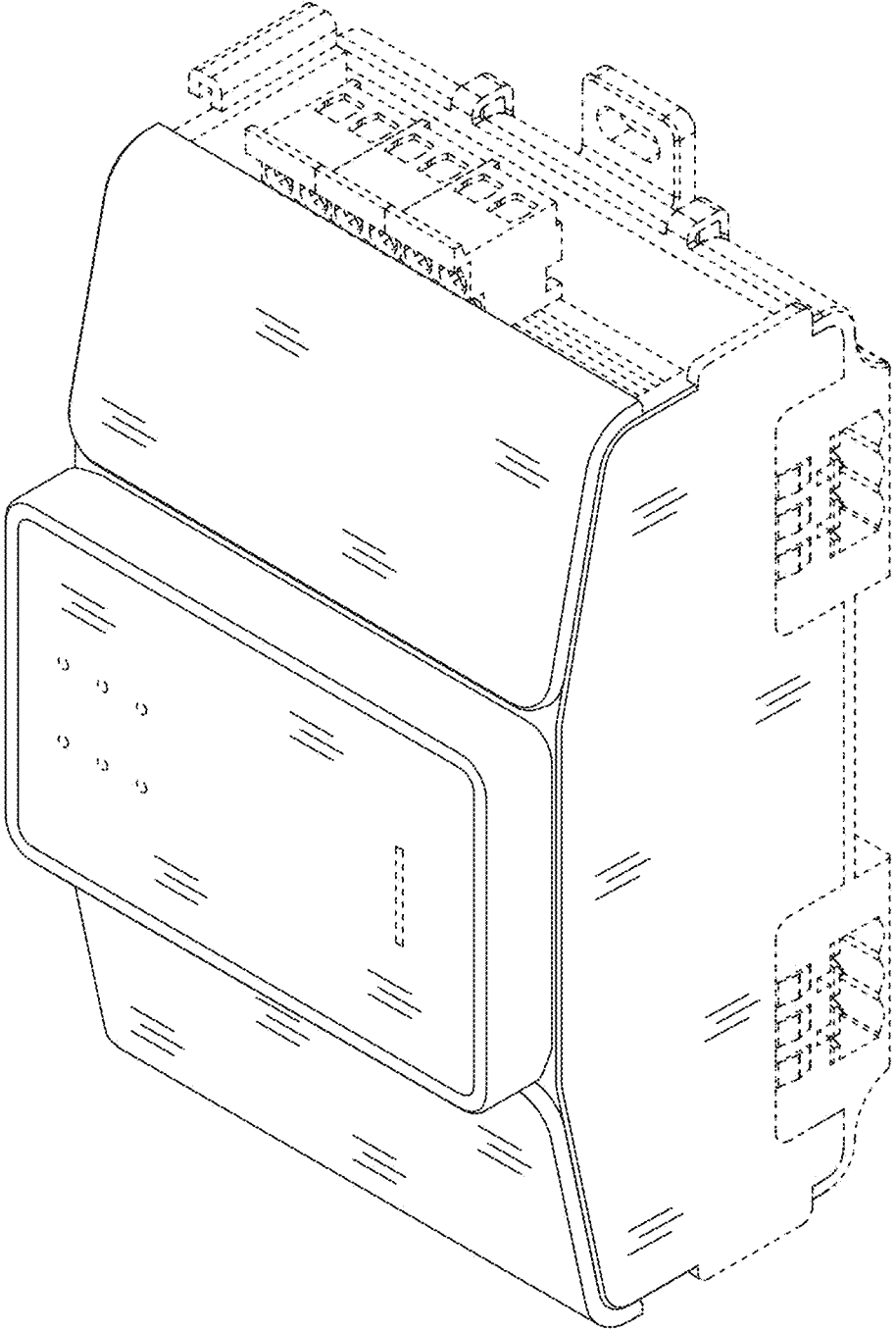


FIG. 1

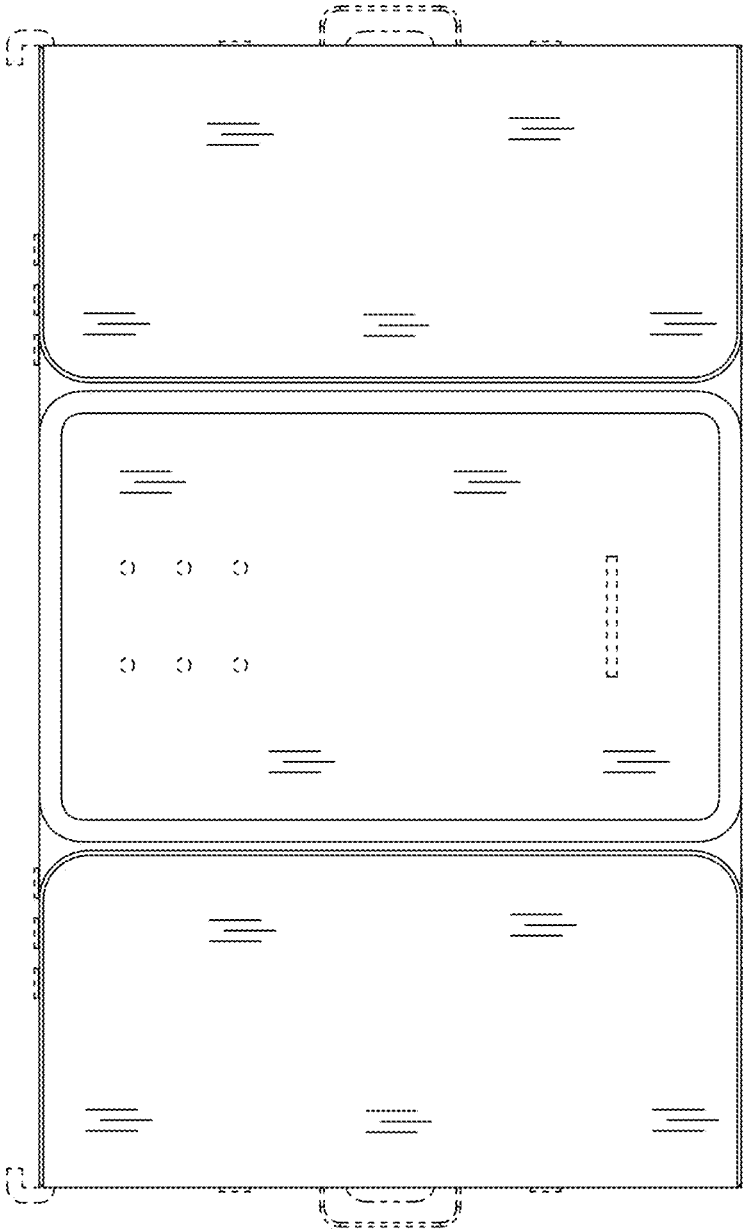


FIG. 2

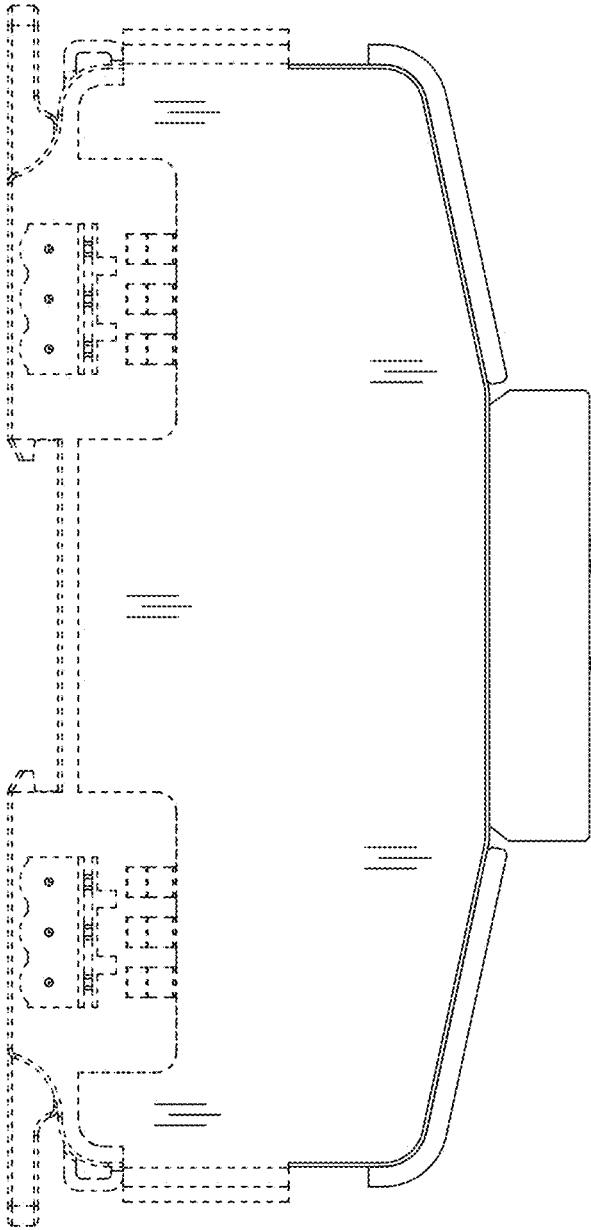


FIG. 3

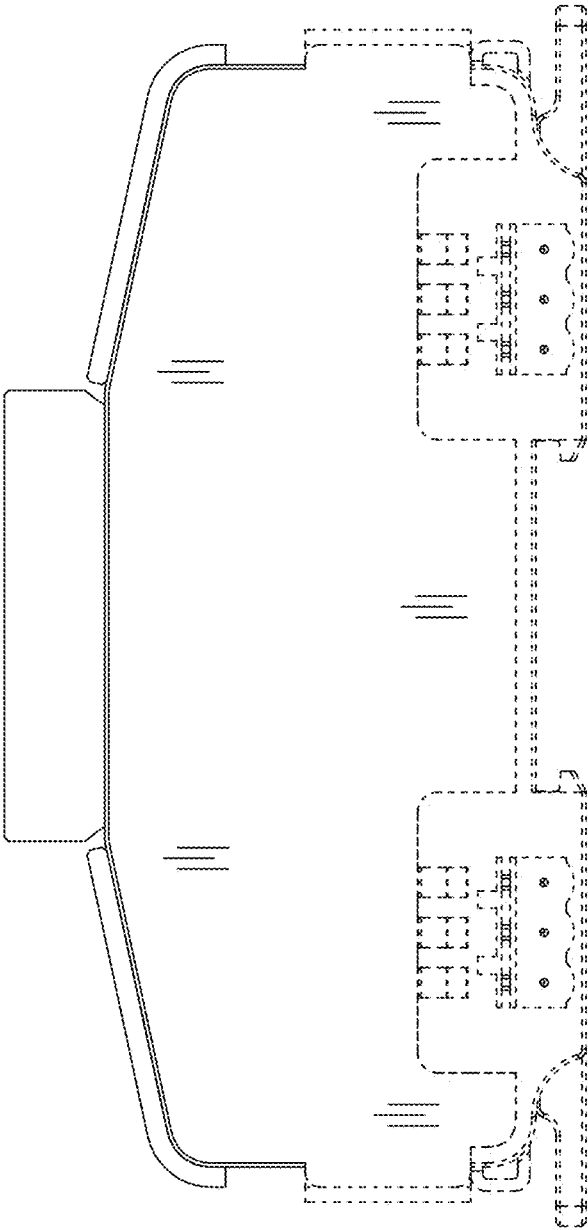


FIG. 4

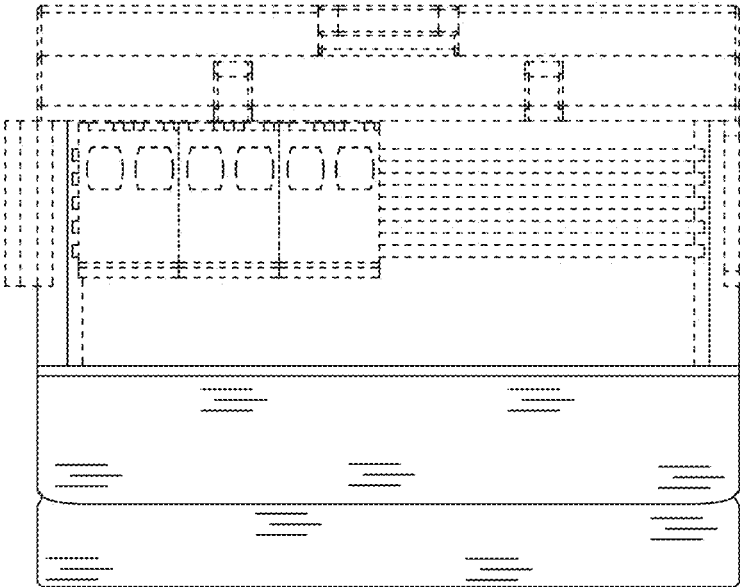


FIG. 5

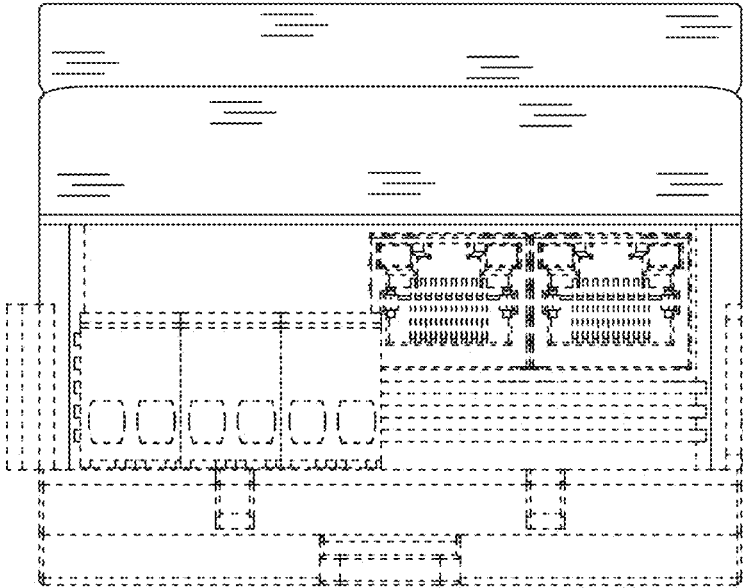


FIG. 6

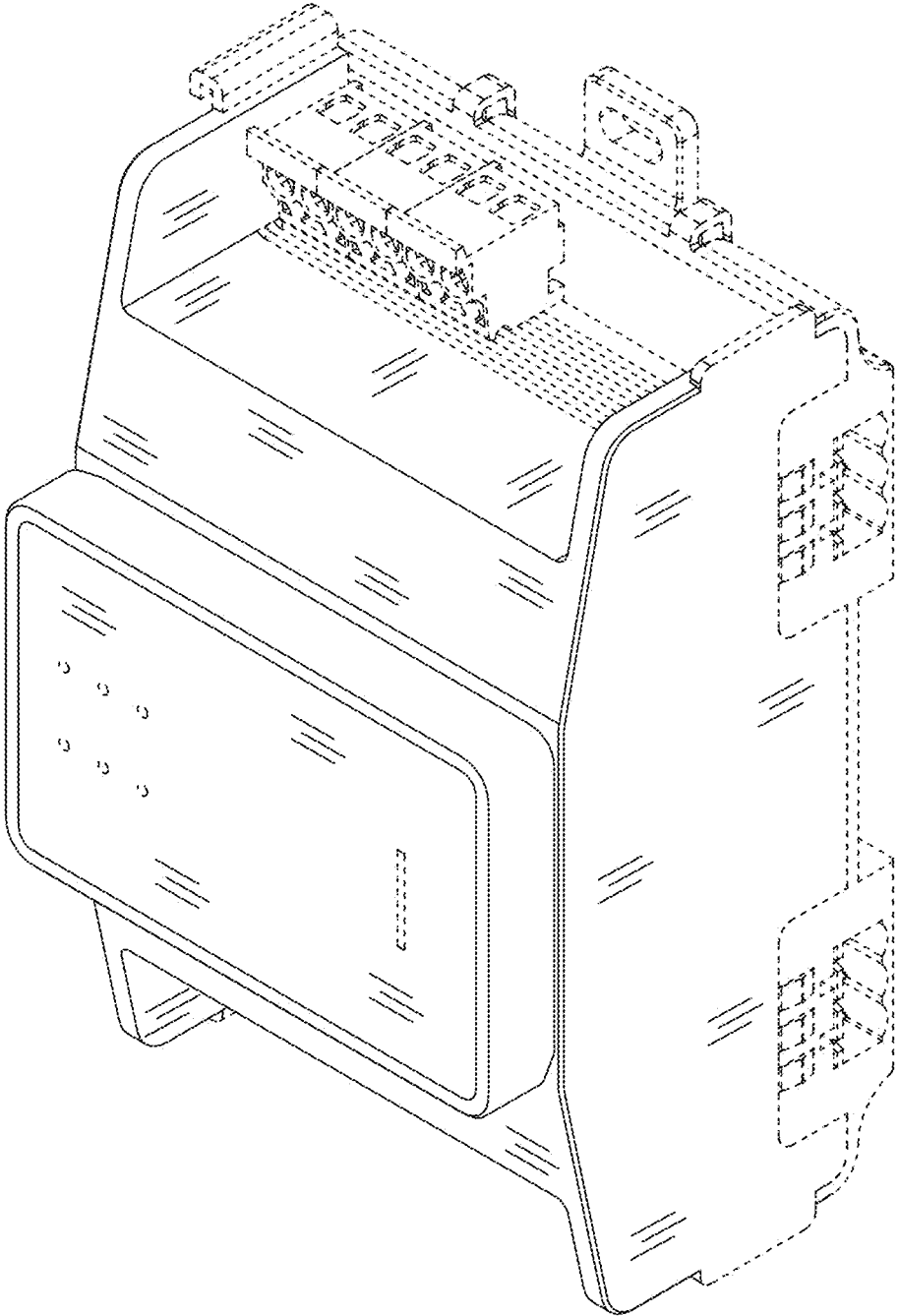


FIG. 7