



US0D1019873S

(12) **United States Design Patent**  
**Guan**

(10) **Patent No.:** **US D1,019,873 S**

(45) **Date of Patent:** **\*\* Mar. 26, 2024**

(54) **INSECT TRAP**

(71) Applicant: **Yuanhui Guan**, Dongfang (CN)

(72) Inventor: **Yuanhui Guan**, Dongfang (CN)

(\*\*) Term: **15 Years**

(21) Appl. No.: **29/850,121**

(22) Filed: **Aug. 17, 2022**

(30) **Foreign Application Priority Data**

Jun. 1, 2022 (EM) ..... 009048952-0001

(51) **LOC (14) Cl.** ..... **22-06**

(52) **U.S. Cl.**  
USPC ..... **D22/122**

(58) **Field of Classification Search**  
USPC ..... D22/119-120, 122; D26/41; 43/107,  
43/112  
CPC ..... A01M 1/00; A01M 1/04; A01M 1/08;  
A01M 1/106; A01M 1/223; A01M 29/34;  
A01M 2200/01; A01M 2200/012  
See application file for complete search history.

(56) **References Cited**

**U.S. PATENT DOCUMENTS**

- 3,968,590 A \* 7/1976 Kitterman ..... A01M 1/02  
43/107
- D258,751 S \* 3/1981 Lindley ..... D22/122
- 4,549,693 A \* 10/1985 Barlies ..... A61L 9/12  
206/0.5
- D681,153 S \* 4/2013 Nordyke ..... D22/122
- 8,745,917 B2 \* 6/2014 Hui ..... A01M 1/103  
43/107
- D752,705 S \* 3/2016 Osinga ..... D22/122

- D814,603 S \* 4/2018 Yu ..... D22/123
- D816,182 S \* 4/2018 Rubel ..... D22/122
- D877,850 S \* 3/2020 Sanford ..... D22/122
- D945,588 S \* 3/2022 Xanthos ..... D23/366
- D983,308 S \* 4/2023 Drennan ..... D22/122
- D987,016 S \* 5/2023 Powell ..... D22/122
- D998,088 S \* 9/2023 Luo ..... D22/122
- D1,002,785 S \* 10/2023 DiMeo ..... A01M 1/14  
D22/122
- D1,004,737 S \* 11/2023 Therrien ..... D22/122
- 2008/0168701 A1 \* 7/2008 Hu ..... A01M 1/04  
43/107
- 2015/0020438 A1 \* 1/2015 Work ..... A01M 1/14  
43/132.1
- 2018/0184634 A1 \* 7/2018 DiMeo ..... A01M 1/14

\* cited by examiner

*Primary Examiner* — Catherine R Oliver-Garcia

(74) *Attorney, Agent, or Firm* — Jeenam Park

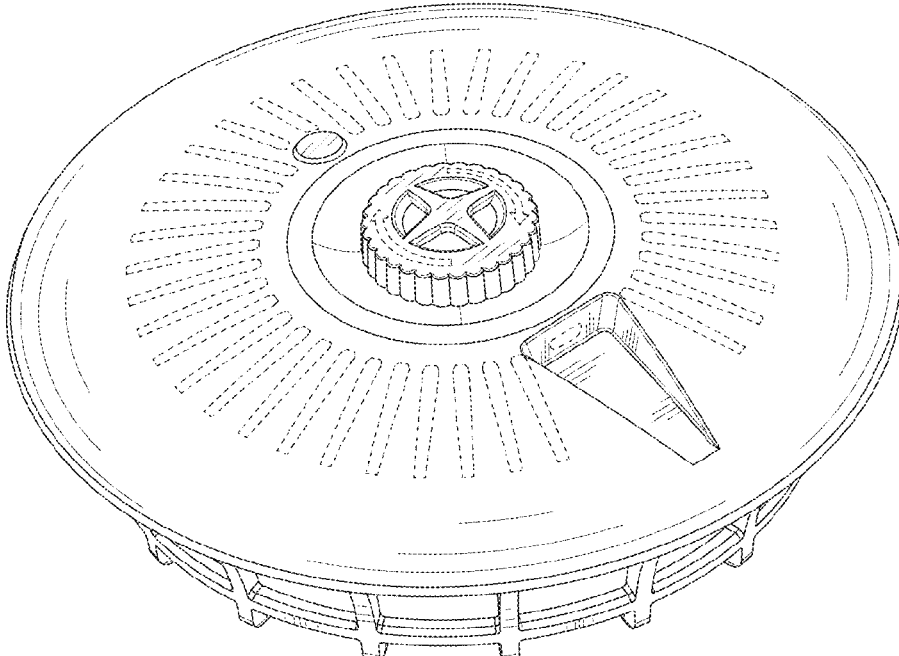
(57) **CLAIM**

The ornamental design for an insect trap, as shown and described.

**DESCRIPTION**

FIG. 1 is a perspective view of an insect trap, showing my new design;  
 FIG. 2 is another perspective view thereof;  
 FIG. 3 is a front view thereof;  
 FIG. 4 is a rear view thereof;  
 FIG. 5 is a left side view thereof;  
 FIG. 6 is a right side view thereof;  
 FIG. 7 is a top plan view thereof; and,  
 FIG. 8 is a bottom plan view thereof.  
 The broken lines shown in the drawings illustrate portions of the insect trap that form no part of the claimed design.

**1 Claim, 8 Drawing Sheets**



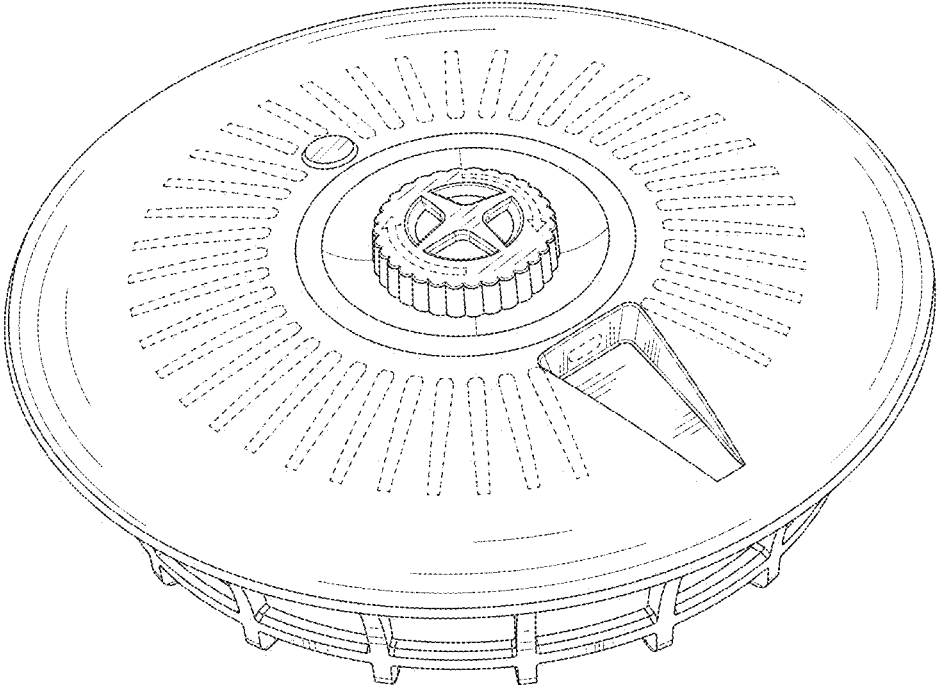


FIG. 1

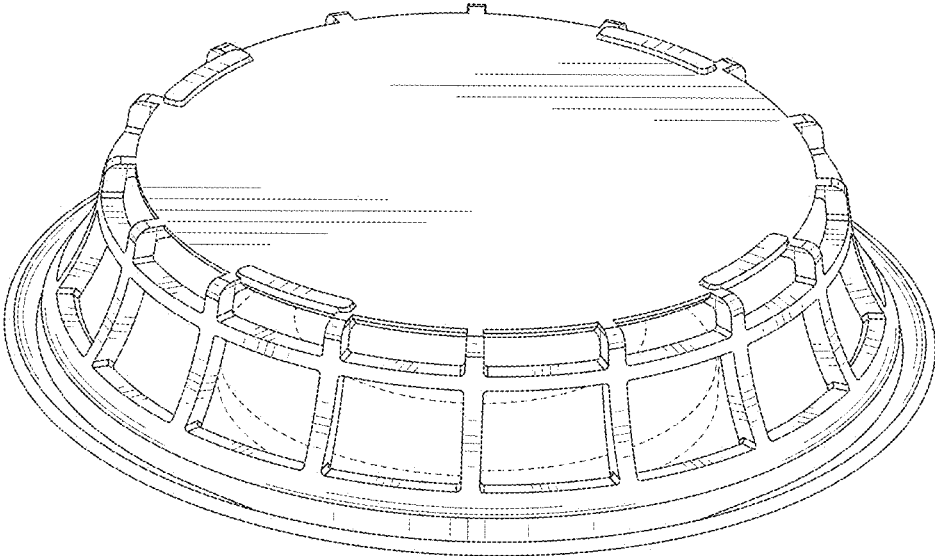


FIG. 2

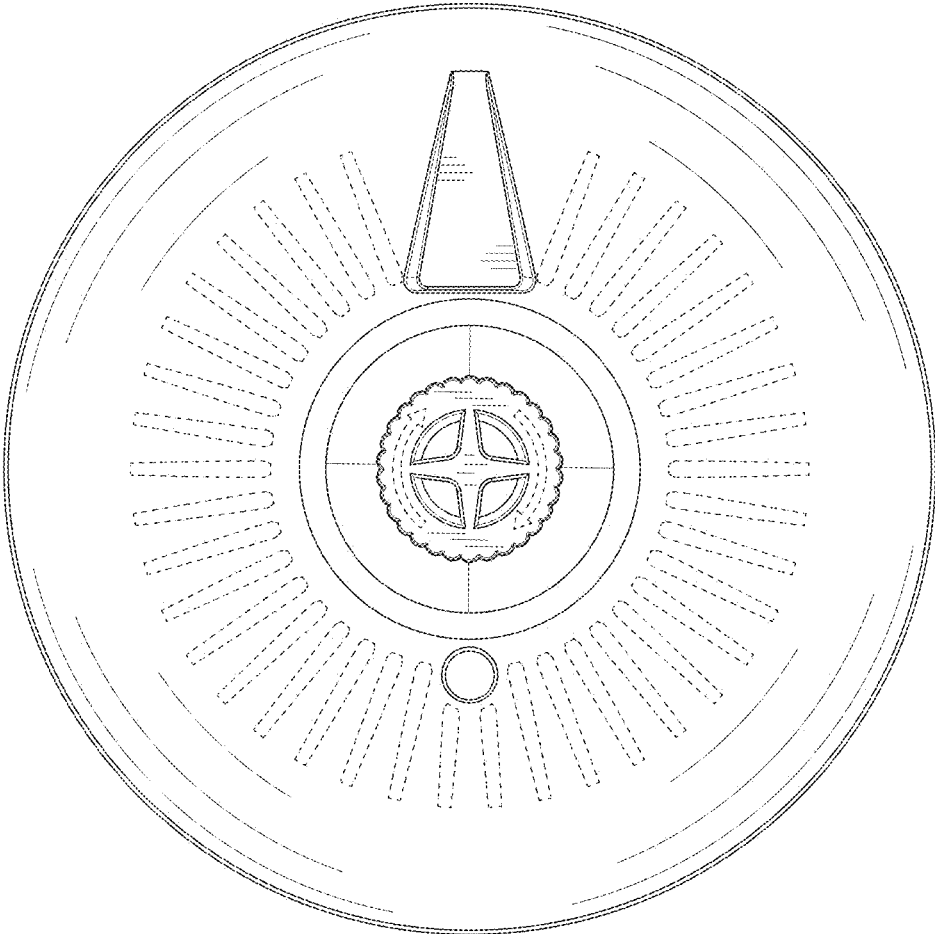


FIG. 3

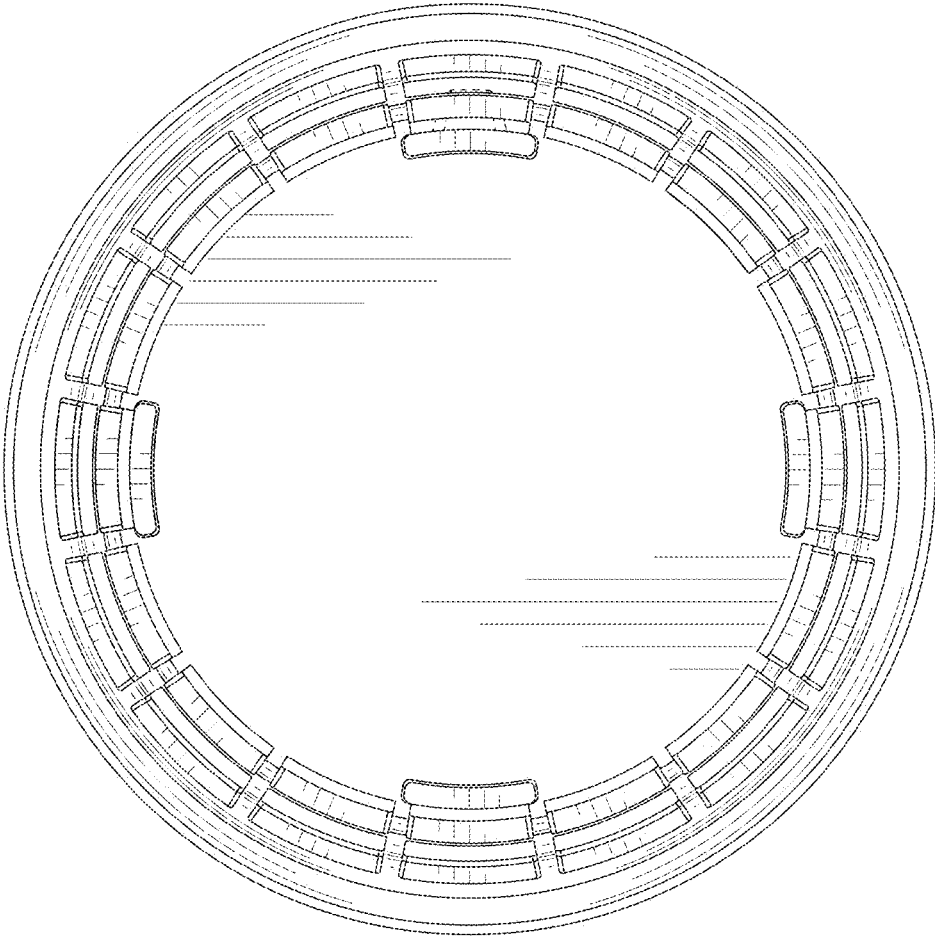


FIG. 4

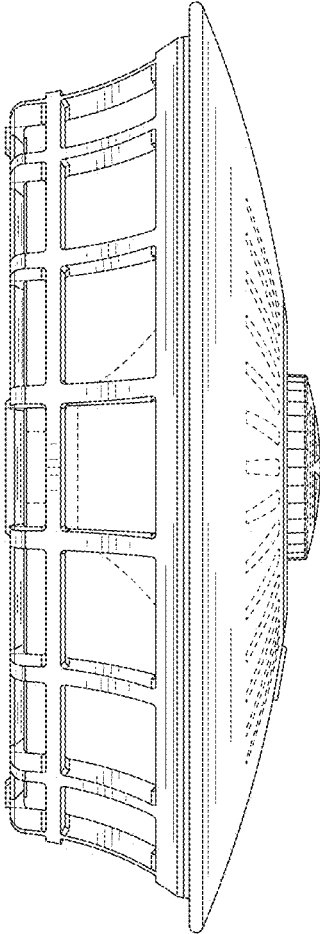


FIG. 5

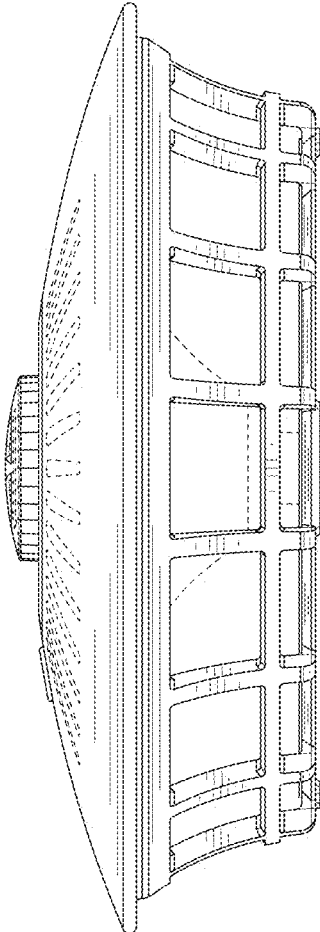


FIG. 6

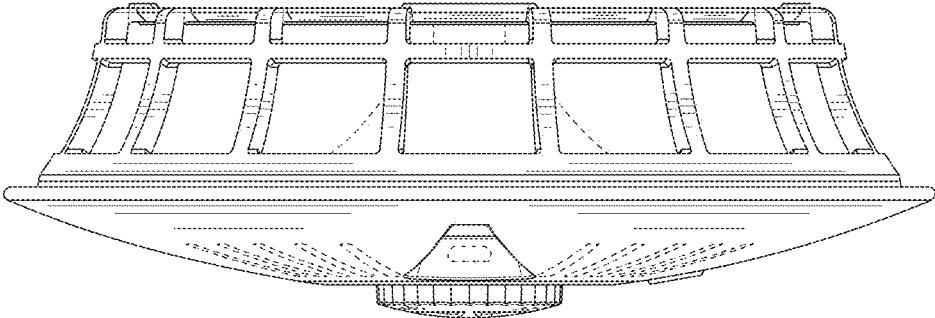


FIG. 7

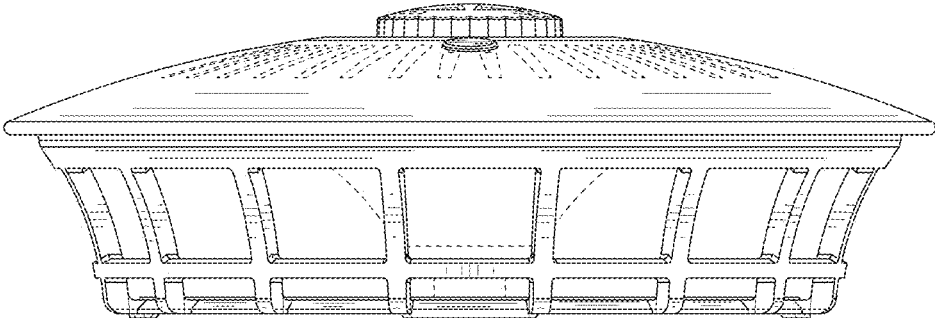


FIG. 8