



US00D821525S

(12) **United States Design Patent**
Green et al.

(10) **Patent No.:** **US D821,525 S**
(45) **Date of Patent:** **** Jun. 26, 2018**

- (54) **TUNNEL FOR PLAYSET**
- (71) Applicant: **Lifetime Products, Inc.**, Clearfield, UT (US)
- (72) Inventors: **Danny Green**, Layton, UT (US);
Robert A. Astle, Kaysville, UT (US)
- (73) Assignee: **LIFETIME PRODUCTS, INC.**,
Clearfield, UT (US)
- (**) Term: **15 Years**
- (21) Appl. No.: **29/570,968**

D330,579	S	*	10/1992	Briggs	D21/822
D344,317	S	*	2/1994	Petersheim	D21/821
D361,116	S	*	8/1995	Shaneour	D21/821
D372,065	S	*	7/1996	Gilles	D21/821
5,711,744	A	*	1/1998	Strawcutter	A63B 9/00 482/35
D393,685	S	*	4/1998	Peritz	D21/814
D413,370	S	*	8/1999	Kim	D21/814
D429,788	S	*	8/2000	Sutton	D21/818
D438,280	S	*	2/2001	Robertson	D21/818
6,527,645	B1	*	3/2003	Cline	A63B 9/00 472/116
D524,895	S	*	7/2006	VanDeusen	D21/820
D580,507	S	*	11/2008	Huerta	D21/818
D743,497	S	*	11/2015	Eroglu	D21/818
2003/0022761	A1	*	1/2003	Brereton	A63B 9/00 482/35

- (22) Filed: **Jul. 13, 2016**
- (51) **LOC (11) Cl.** **21-03**
- (52) **U.S. Cl.**
USPC **D21/814**
- (58) **Field of Classification Search**
USPC D21/811, 814, 818-827
CPC A63G 21/00-21/22; A63B 9/00; A63B
2208/12
See application file for complete search history.

* cited by examiner

Primary Examiner — Mitchell I. Siegel
(74) *Attorney, Agent, or Firm* — Workman Nydegger

(57) **CLAIM**

The ornamental design for a tunnel for a playset, as shown and described.

DESCRIPTION

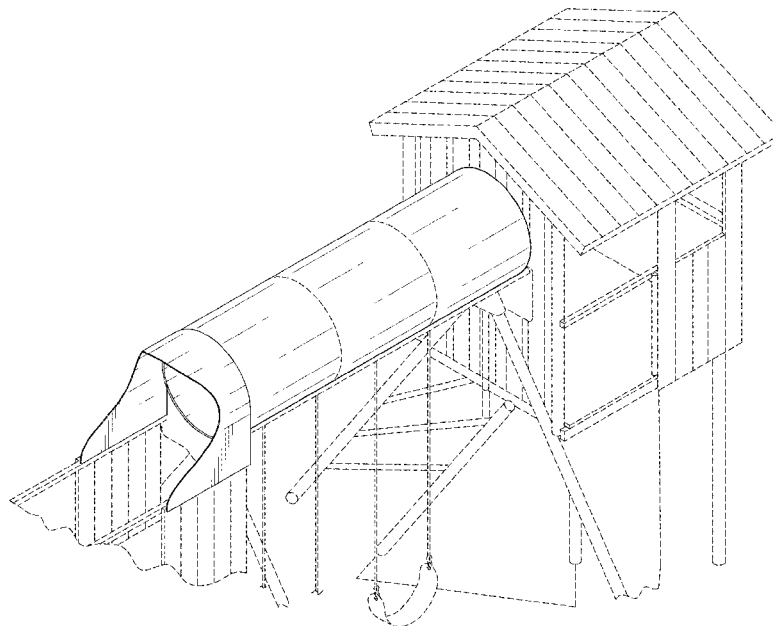
FIG. 1 is a front perspective view of a tunnel for a playset; FIG. 2 is a front view of FIG. 1; FIG. 3 is a back view of FIG. 1; FIG. 4 is a right side view of FIG. 1; FIG. 5 is a left side view of FIG. 1; FIG. 6 is a top view of FIG. 1; and, FIG. 7 is a bottom view of FIG. 1. The broken lines in the Figures illustrate portions of a playset that form no part of the claimed design.

1 Claim, 4 Drawing Sheets

(56) **References Cited**

U.S. PATENT DOCUMENTS

2,465,187	A	*	3/1949	Barrabee	A63G 21/02 104/69
D190,125	S	*	4/1961	Aherns	D21/818
D212,018	S	*	8/1968	Jamison et al.	D21/820
D224,247	S	*	7/1972	Jamison	D21/818
D238,889	S	*	2/1976	Holmquist	D21/818
D250,784	S	*	1/1979	Dieter	472/116
4,487,411	A	*	12/1984	Ahrens	A63G 21/00 472/116
D328,119	S	*	7/1992	Matsch	D21/821



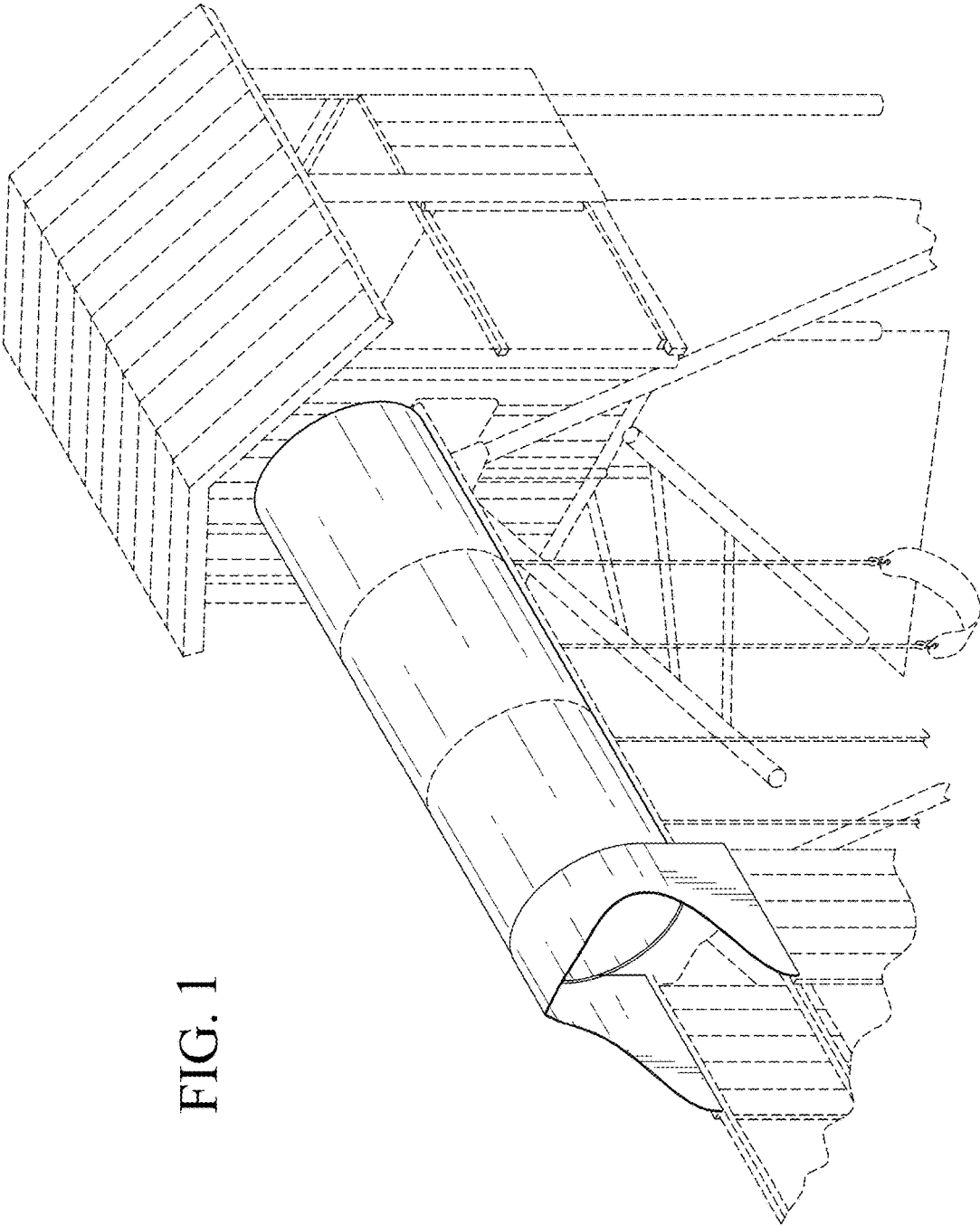


FIG. 1

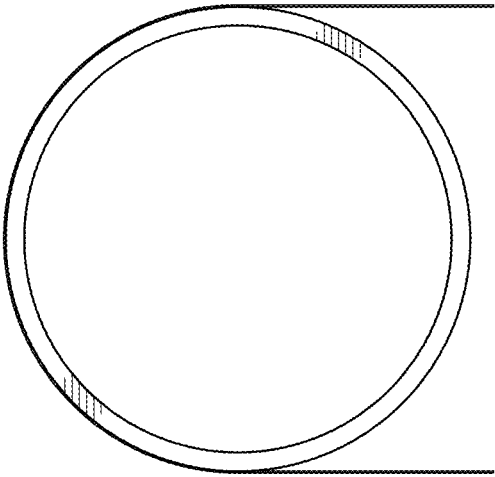


FIG. 2

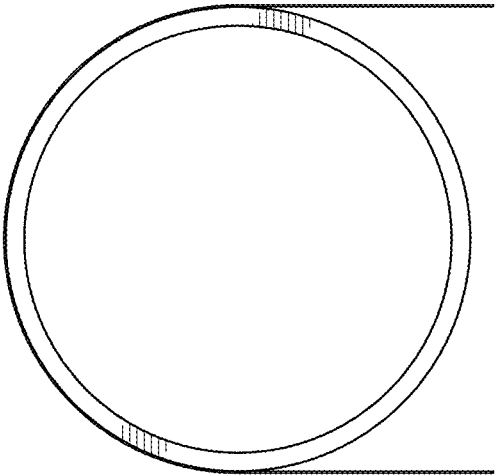


FIG. 3

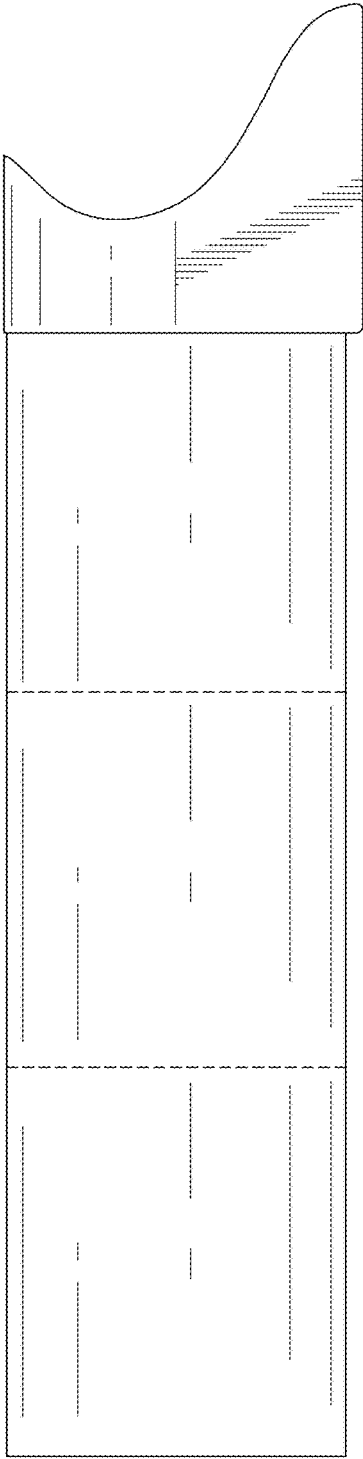


FIG. 4

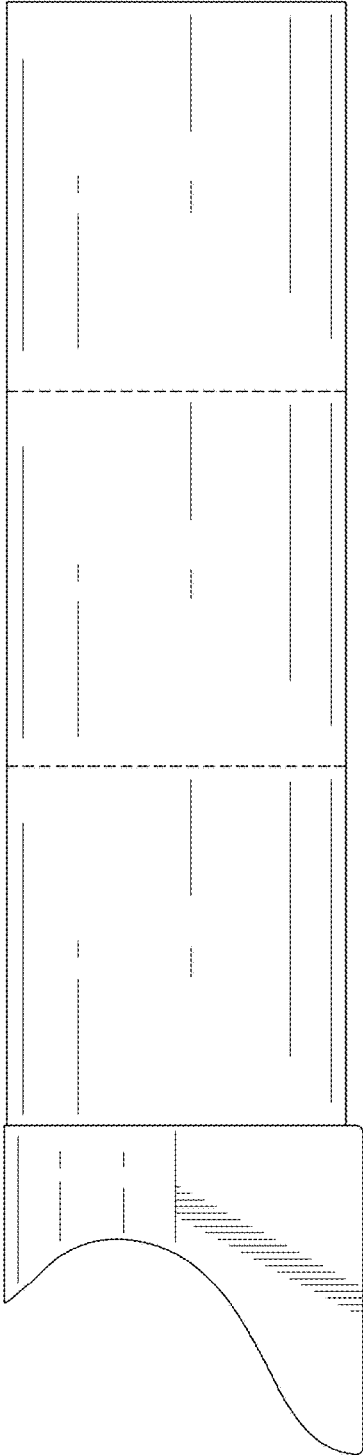


FIG. 5

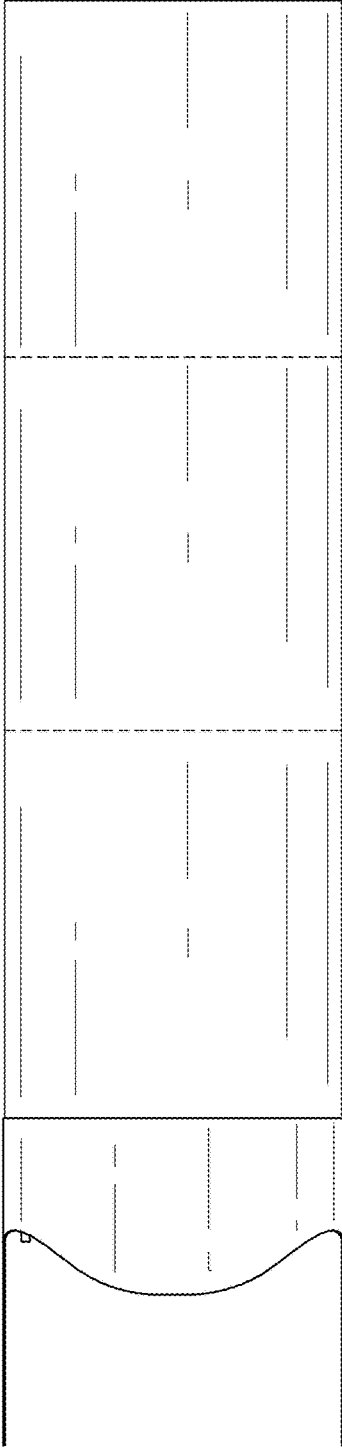


FIG. 6

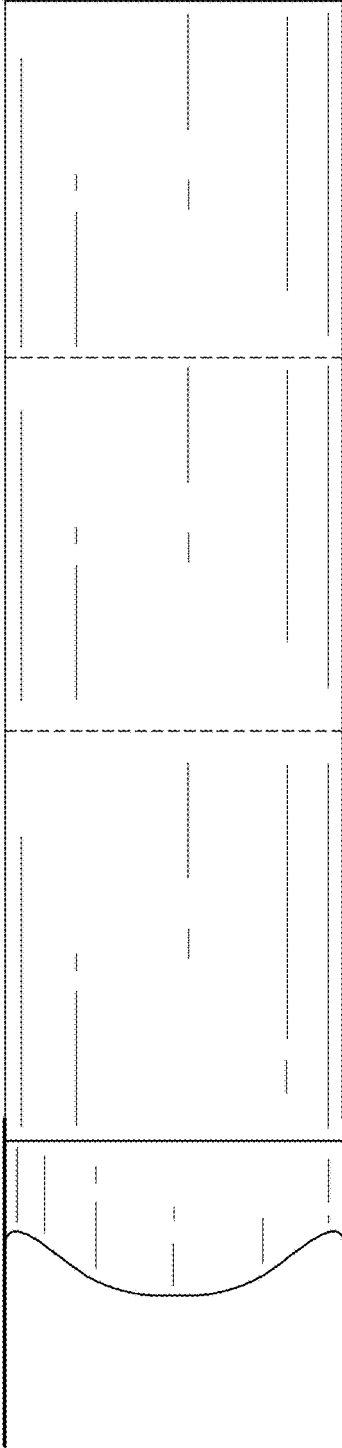


FIG. 7