



US00D898812S

(12) **United States Design Patent**
Liang

(10) **Patent No.:** **US D898,812 S**

(45) **Date of Patent:** **** Oct. 13, 2020**

- (54) **GOGGLE**
- (71) Applicant: **Guangzhou Jubao Sports Co., Ltd.,**
Guangzhou (CN)
- (72) Inventor: **Chuanqing Liang,** Guangzhou (CN)
- (**) Term: **15 Years**
- (21) Appl. No.: **29/674,180**
- (22) Filed: **Dec. 20, 2018**
- (51) **LOC (12) Cl.** **16-06**
- (52) **U.S. Cl.**
USPC **D16/312**
- (58) **Field of Classification Search**
USPC 348/115, 53, 121, 739; 345/7-9, 905;
351/158, 153, 144; D14/125, 126, 129,
D14/299, 372, 496, 432; D16/101, 300,
D16/303-304, 309-315, 317-323,
D16/325-340; D29/108, 109, 110, 112
CPC G02C 2200/08; G02C 2200/22;
G02C 5/008; G02C 5/14; G02C 5/16;
G02C 5/146; G02C 5/2254; G02C 1/06;
G02C 11/02; G02C 11/04; A61M
2021/0044; B63C 11/12; A63B 2033/004;
A63B 2033/006; A63B 2033/008; A63B
33/00; A63B 33/002; A61F 9/00; A61F
9/02

D509,236 S *	9/2005	Sheldon	D16/306
D510,378 S *	10/2005	Dondero	D16/312
D541,328 S *	4/2007	Saderholm	D16/312
D542,326 S *	5/2007	Chiang	D16/311
D542,327 S *	5/2007	Hsu	D16/312
D544,900 S *	6/2007	Li	D16/312
D556,811 S *	12/2007	Bruck	D16/312
D556,812 S *	12/2007	Wang-Lee	D16/312
D577,054 S *	9/2008	Moritz	D16/312
D578,562 S *	10/2008	Moritz	D16/312
D595,331 S *	6/2009	Mentasti	D16/312
D595,332 S *	6/2009	Yang	D16/312
D616,483 S *	5/2010	Moritz	D16/312
D616,914 S *	6/2010	Moritz	D16/312
D616,915 S *	6/2010	Silveria	D16/312
D620,969 S *	8/2010	Cyr	D16/312

(Continued)

FOREIGN PATENT DOCUMENTS

CN	305292226	*	8/2019
WO	2012106057	*	8/2012

Primary Examiner — Sanjeev Paul
(74) *Attorney, Agent, or Firm* — KA Filing LLC; Cynthia Flanigan; Wayne Harper

(57) **CLAIM**

I claim the ornamental design for a goggle, as shown and described.

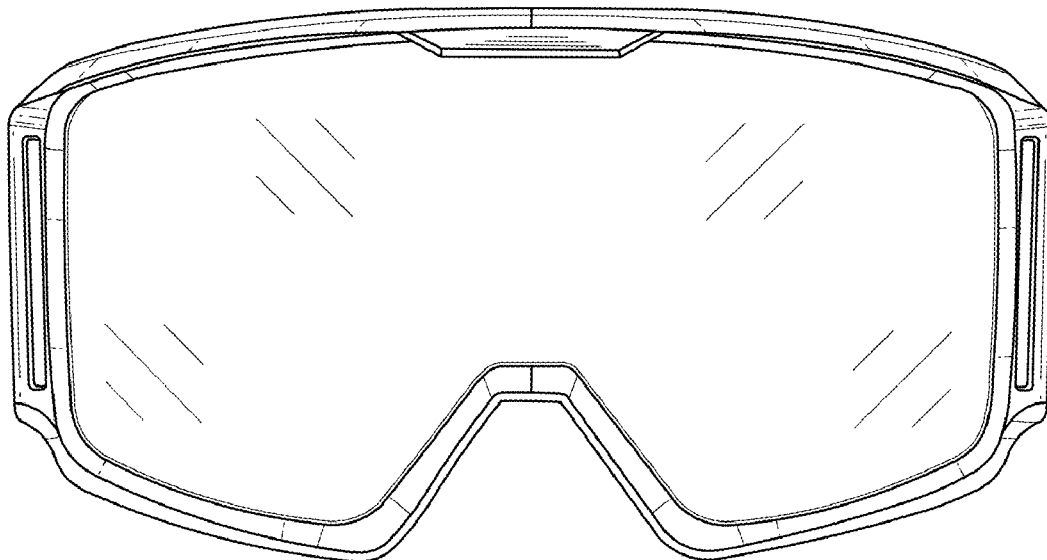
DESCRIPTION

FIG. 1 is a perspective view of a goggle showing my new design;
FIG. 2 is a front view of the goggle as shown in FIG. 1;
FIG. 3 is a back view of the goggle as shown in FIG. 1;
FIG. 4 is a left view of the goggle as shown in FIG. 1 with the right side being a mirror image;
FIG. 5 is a top view of the goggle as shown in FIG. 1; and,
FIG. 6 is a bottom side view of the goggle as shown in FIG. 1.

1 Claim, 6 Drawing Sheets

(56) **References Cited**
U.S. PATENT DOCUMENTS

D224,483 S *	8/1972	Crestin-Billet	D16/312
D273,819 S *	5/1984	Yehl	D16/312
D327,490 S *	6/1992	Wilson	D16/312
D352,726 S *	11/1994	Bolle	D16/312
D407,735 S *	4/1999	Arnette	D16/312
D428,039 S *	7/2000	Thixton	D16/312
D428,906 S *	8/2000	Bolle	D16/312
D439,596 S *	3/2001	Bolle	D16/312
D508,939 S *	8/2005	Hussey	D16/312



(56)

References Cited

U.S. PATENT DOCUMENTS

D626,166	S *	10/2010	Yang	D16/312	D777,826	S *	1/2017	Shin	D16/312
D626,987	S *	11/2010	Yang	D16/312	D784,441	S *	4/2017	Garfias	D16/312
D629,442	S *	12/2010	Tominaga	D16/312	D800,825	S *	10/2017	Frosi	D16/313
D633,937	S *	3/2011	Yasuhara	D16/312	D805,576	S *	12/2017	Garfias	D16/312
D640,724	S *	6/2011	Goodman	D16/312	D818,031	S *	5/2018	Garfias	D16/314
D649,178	S *	11/2011	Moritz	D16/312	D821,485	S *	6/2018	Yoo	D16/313
D649,577	S *	11/2011	Goodman	D16/312	D828,866	S *	9/2018	Yoo	D16/313
D678,932	S *	3/2013	Moritz	D16/312	D829,810	S *	10/2018	Nellestam	D16/313
D687,479	S *	8/2013	Moritz	D16/312	D834,087	S *	11/2018	Yoo	D16/313
D687,881	S *	8/2013	Ginther	D16/312	D837,873	S *	1/2019	Lussier	D16/330
D694,806	S *	12/2013	Mage	D16/312	D847,248	S *	4/2019	Liang	D16/313
D695,335	S *	12/2013	Goodman	D16/312	D858,622	S *	9/2019	Xin	D16/312
D704,249	S *	5/2014	Orzeck	D16/309	D862,570	S *	10/2019	Frosi	D16/313
D723,094	S *	2/2015	Chen	D16/312	D863,414	S *	10/2019	Schwabe	D16/312
D727,398	S *	4/2015	Blanchard	D16/312	D864,285	S *	10/2019	Liang	D16/313
D729,303	S *	5/2015	Laperriere	D16/326	D868,878	S *	12/2019	Langenwalter	D16/312
D736,303	S *	8/2015	Yu	D16/309	D869,547	S *	12/2019	Xin	D16/312
D747,758	S *	1/2016	Lee	D16/312	D872,168	S *	1/2020	Zhang	D16/312
D748,716	S *	2/2016	Yang	D16/312	D872,169	S *	1/2020	Yong	D16/312
D748,717	S *	2/2016	Yang	D16/312	D880,573	S *	4/2020	Liang	D16/312
D756,445	S *	5/2016	Blanchard	D16/312	D880,574	S *	4/2020	Liang	D16/312
D760,831	S *	7/2016	Emilo	D16/312	2014/0157496	A1 *	6/2014	Ginther	A61F 9/029 2/439
D761,344	S *	7/2016	Chen	D16/312	2014/0182754	A1 *	7/2014	Young	A45C 11/00 150/154
D765,758	S *	9/2016	Li	D16/312	2018/0042773	A1 *	2/2018	Boinnard	A61F 9/025
D765,759	S *	9/2016	Li	D16/312	2018/0136484	A1 *	5/2018	Prugue	G02C 1/06
D769,350	S *	10/2016	Orzeck	D16/312	2018/0373064	A1 *	12/2018	Chen	A61F 9/02
D774,588	S *	12/2016	Li	D16/312	2019/0227347	A1 *	7/2019	Jimenez	G02F 1/155

* cited by examiner

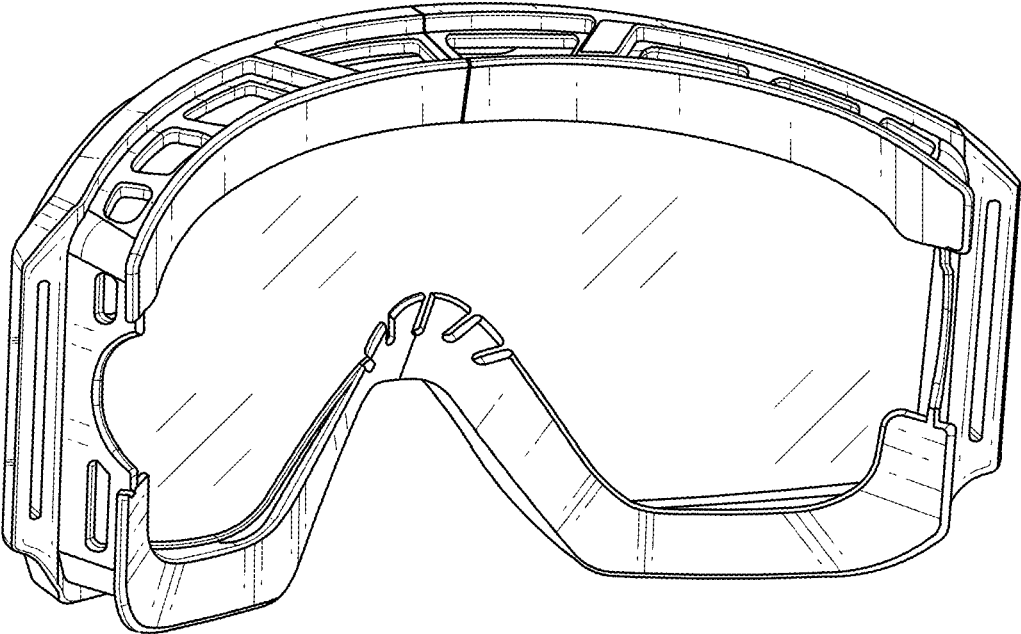


FIG. 1

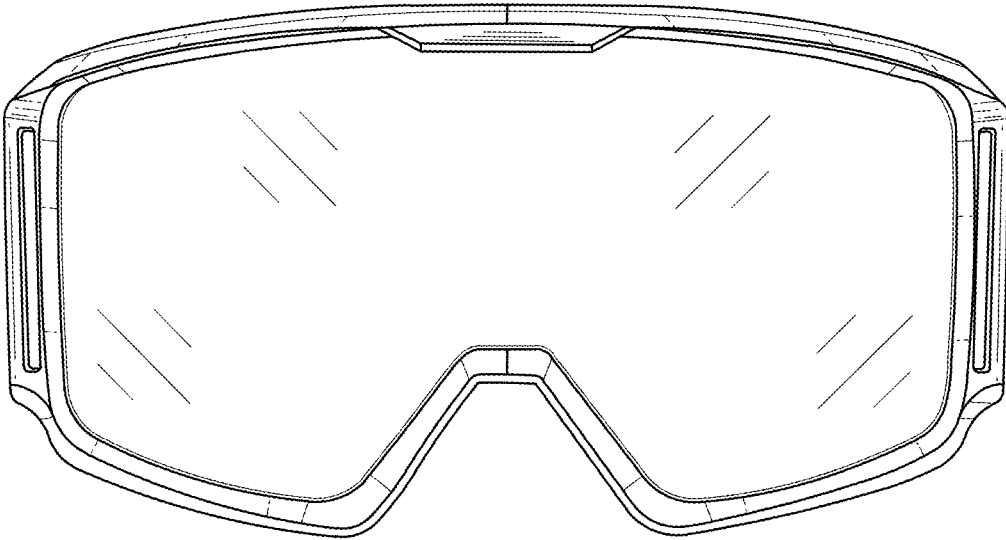


FIG. 2

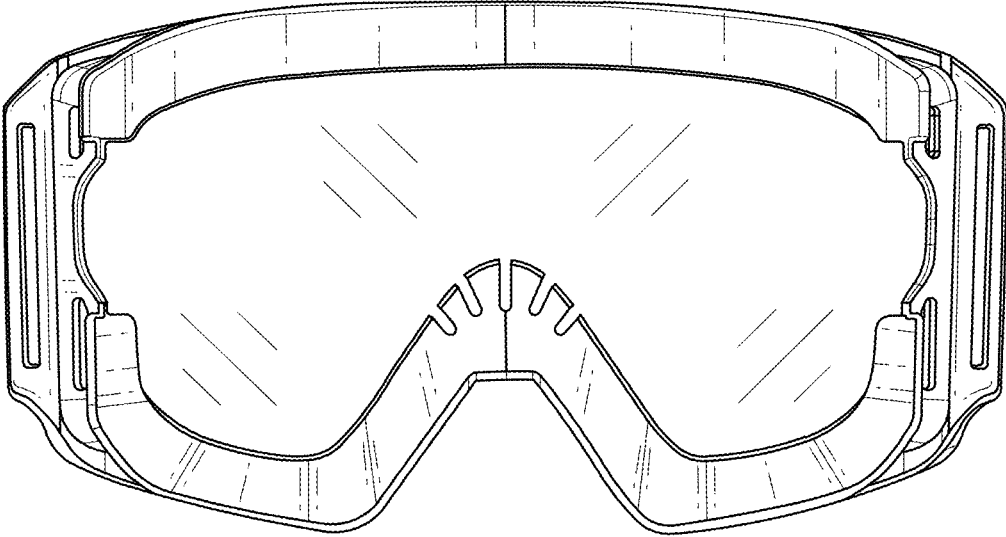


FIG. 3

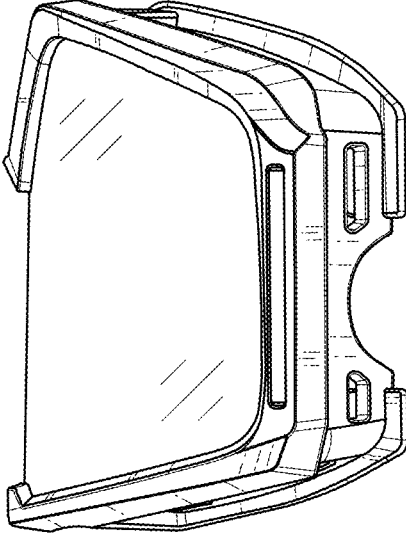


FIG. 4

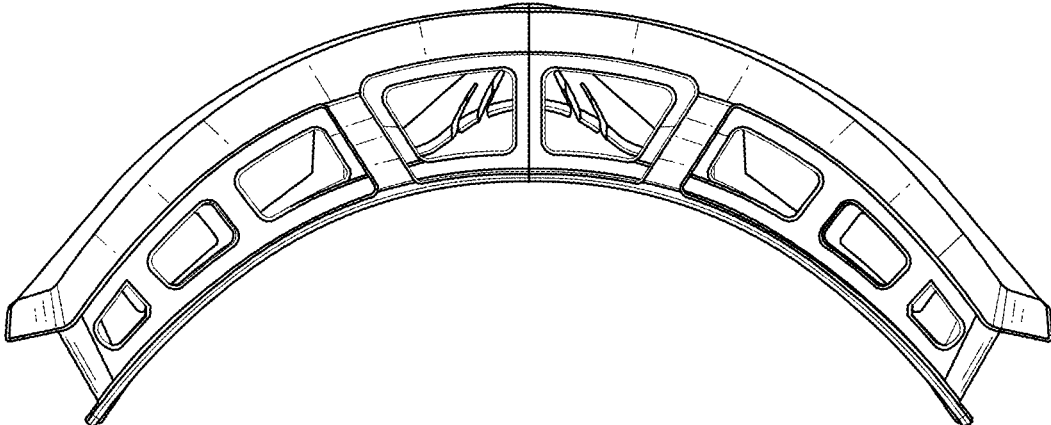


FIG. 5

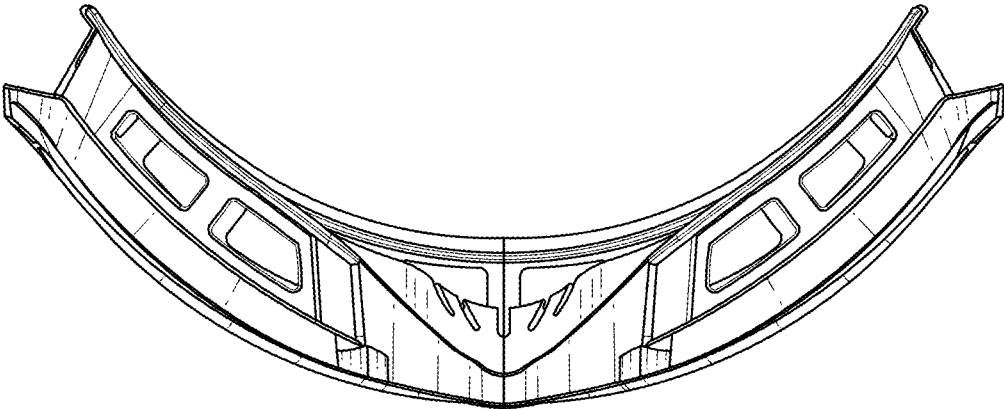


FIG. 6