



US00D773568S

(12) **United States Design Patent**
De Marchis

(10) **Patent No.:** **US D773,568 S**

(45) **Date of Patent:** **** Dec. 6, 2016**

(54) **DUMBBELL**

(71) Applicant: **Taylor De Marchis**, Orlando, FL (US)

(72) Inventor: **Taylor De Marchis**, Orlando, FL (US)

(**) Term: **14 Years**

(21) Appl. No.: **29/516,729**

(22) Filed: **Feb. 5, 2015**

(51) **LOC (10) Cl.** **21-02**

(52) **U.S. Cl.**

USPC **D21/681**

(58) **Field of Classification Search**

USPC D8/85, 45, 107, 90, 317, 387, 397,
343,D8/31, 75, 14; D21/680, 682, 681,
678, 662, D21/679, 684, 686, 801;
173/102, 103, 118, 173/126, 133;
482/108, 93, 110, 111, 105, 8, 482/107,
106, 139, 94, 104, 109, 140, 51, 70,
482/74, 98, 1, 121, 55; D9/629, 456, 680;
D11/91, 81, 56, 80, 7, 52, 14, 201
CPC A63B 21/0552; A63B 23/0211; A63B
2208/0204; A63B 21/00069; A63B
21/0442; A63B 21/0004; A63B 23/12
See application file for complete search history.

(56) **References Cited**

U.S. PATENT DOCUMENTS

D65,224 S * 7/1924 Connor 229/116.2
2,169,382 A * 8/1939 Di Domenico B65D 5/2019
229/116.2
2,952,225 A * 9/1960 Ellison A23G 3/28
101/127
D261,742 S * 11/1981 McTighe D11/56
D269,789 S * 7/1983 Monson D14/190
D270,600 S * 9/1983 Miller D1/108
D333,447 S * 2/1993 Butler, Jr. D11/56
D460,687 S * 7/2002 Weinstock D9/629
D470,991 S * 2/2003 Goldstein D99/5

D476,130 S * 6/2003 Joy D99/5
D551,978 S * 10/2007 Daniels D9/456
D560,365 S * 1/2008 Huller D4/124
D564,935 S * 3/2008 Steshik D11/91
D568,755 S * 5/2008 Siegel D9/629
D577,385 S * 9/2008 Sand D19/91
D619,353 S * 7/2010 Ash D3/208
D635,622 S * 4/2011 Martin D21/681
D645,710 S * 9/2011 Alimenti D7/628
D657,707 S * 4/2012 Koutsolioutsos D11/14
D663,365 S * 7/2012 Vinther D21/350
D666,116 S * 8/2012 Liberman D11/56
D699,120 S * 2/2014 Kraai D9/629
D703,915 S * 4/2014 Irvine D99/5

(Continued)

Primary Examiner — Robert M Spear

Assistant Examiner — Ryan Harvey

(74) *Attorney, Agent, or Firm* — David M. Pankros,
Attorney at Law

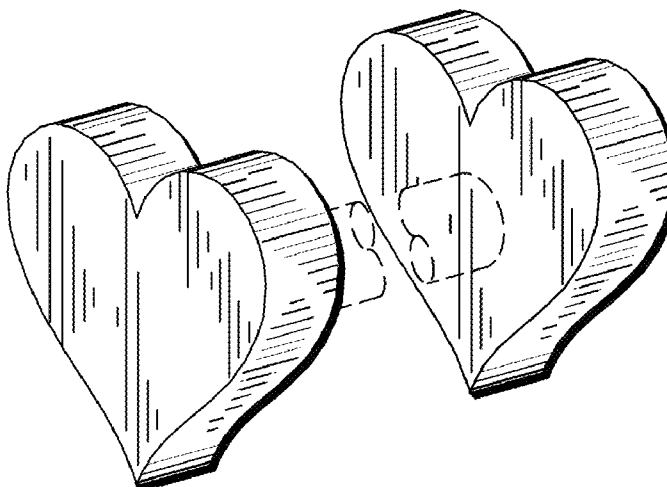
(57) **CLAIM**

The ornamental design for a dumbbell, as shown and described.

DESCRIPTION

FIG. 1 is a perspective view of a first embodiment of a dumbbell;
FIG. 2 is a side view of the dumbbell of FIG. 1;
FIG. 3 is a front view of the dumbbell of FIG. 1;
FIG. 4 is a perspective view of a second embodiment of a dumbbell;
FIG. 5 is a side view of the dumbbell of FIG. 4;
FIG. 6 is a front view of the dumbbell of FIG. 4;
FIG. 7 is a perspective view of a third embodiment of a dumbbell;
FIG. 8 is a side view of the dumbbell of FIG. 7; and,
FIG. 9 is a front view of the dumbbell of FIG. 7.
The broken lines illustrate portions of the article that form no part of the claimed design.

1 Claim, 3 Drawing Sheets



(56)

References Cited

U.S. PATENT DOCUMENTS

D711,278	S	*	8/2014	Kadri	D11/56
D712,301	S	*	9/2014	Tipp	D11/56
D731,007	S	*	6/2015	Davies, III	D21/680
D741,063	S	*	10/2015	Broyles	D3/271.1
D741,722	S	*	10/2015	Oaknin	D9/629

* cited by examiner

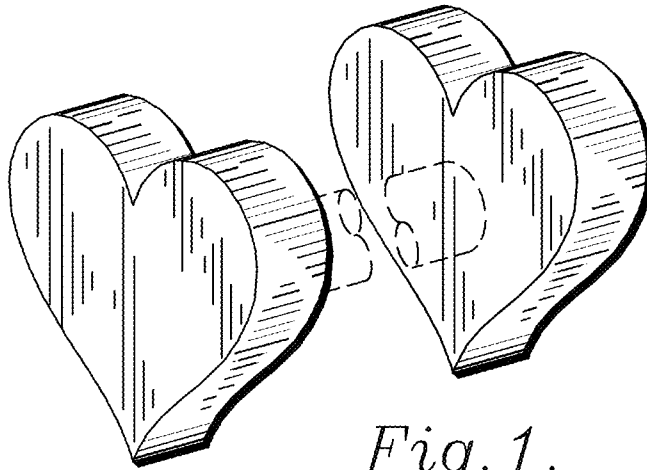


Fig. 1.

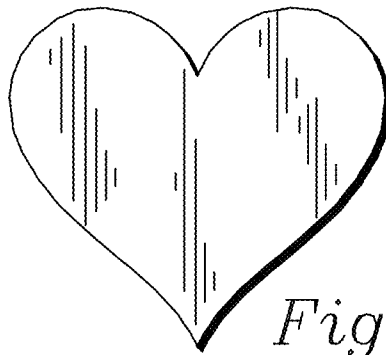


Fig. 2.

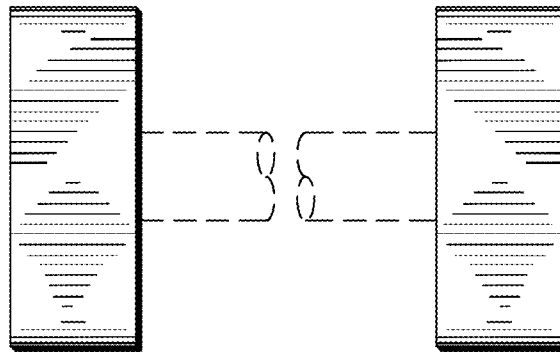


Fig. 3.

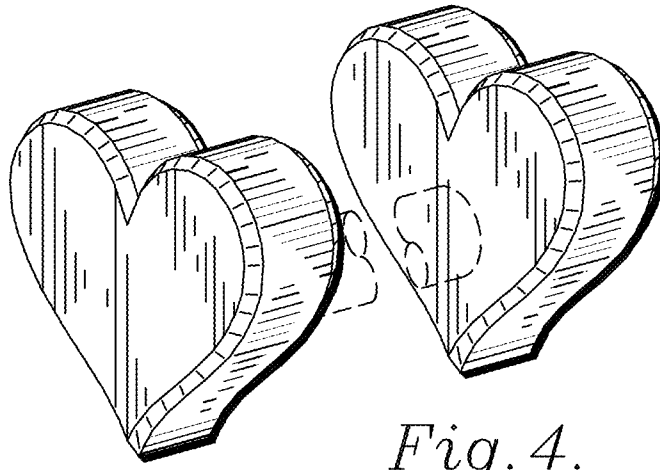


Fig. 4.

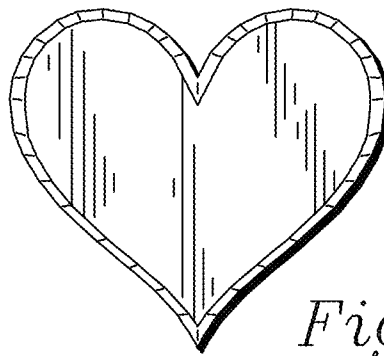


Fig. 5.

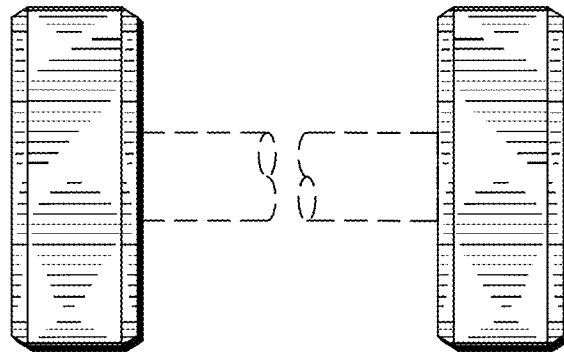


Fig. 6.

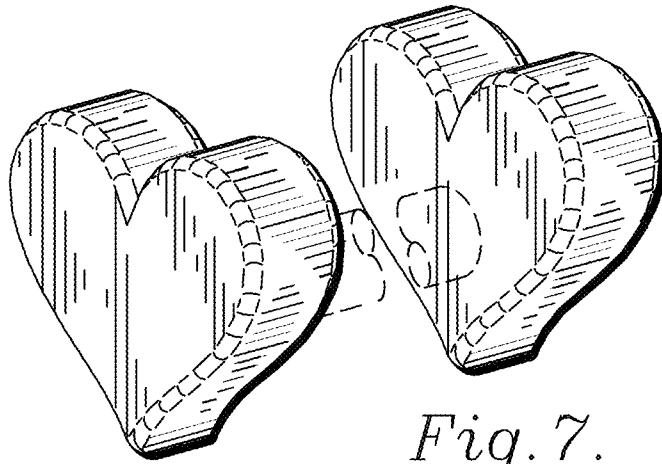


Fig. 7.

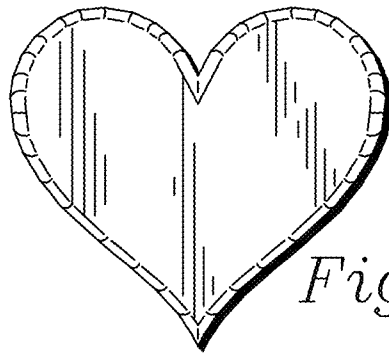


Fig. 8.

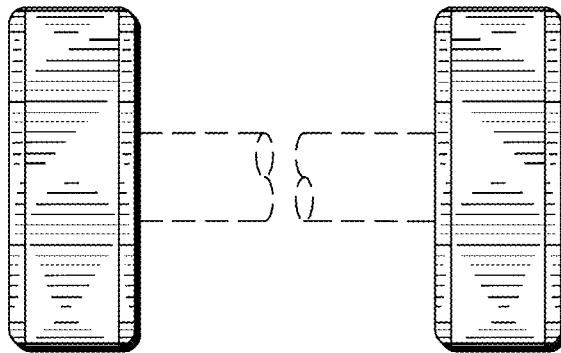


Fig. 9.