



US00D835824S

(12) **United States Design Patent**  
**Koerth et al.**

(10) **Patent No.:** **US D835,824 S**  
(45) **Date of Patent:** **\*\* Dec. 11, 2018**

- (54) **MODULAR DECK LIGHT**
- (71) Applicant: **Lacks Home Products**, Kentwood, MI (US)
- (72) Inventors: **Aaron Koerth**, Hudsonville, MI (US); **Michael S. Modrusic**, Granite City, IL (US)
- (73) Assignee: **Lacks Home Products**, Kentwood, MI (US)

6,526,905	B2	3/2003	Hawk	
D476,555	S *	7/2003	Niwa	D6/328
D513,171	S *	12/2005	Richardson	D25/133
D551,774	S *	9/2007	McGinness	D25/135
D645,865	S *	9/2011	Diehl	D14/299
D649,680	S *	11/2011	Trzesniowski	D26/138
D649,692	S *	11/2011	Trzesniowski	D26/138
D658,977	S *	5/2012	Riddell	D8/394

(Continued)

(\*\*) Term: **15 Years**

(21) Appl. No.: **29/599,466**

(22) Filed: **Apr. 4, 2017**

(51) **LOC (11) Cl.** ..... **26-05**

(52) **U.S. Cl.**  
USPC ..... **D26/60**

(58) **Field of Classification Search**  
 USPC ..... D10/104.1, 106.1, 106.6, 106.8;  
                   D25/133, 135, 136; D26/10, 37, 38, 40,  
                   D26/51, 60, 67, 68, 72, 76, 78, 82, 85,  
                   D26/86, 104, 106, 145  
 CPC ..... F21S 8/00; F21S 8/02; F21S 8/04; F21S  
                   8/003; F21S 8/006; F21S 6/00; F21S  
                   9/022; F21S 9/037  
 See application file for complete search history.

(56) **References Cited**

**U.S. PATENT DOCUMENTS**

D140,862	S *	4/1945	Conlan	D13/161
D150,892	S *	9/1948	Sacks	D26/104
D180,535	S *	6/1957	Stevens	D26/24
D296,135	S *	6/1988	Dreiling	D25/136
4,825,590	A	5/1989	Cullinane	
5,118,059	A	6/1992	Mainer	
D393,417	S *	4/1998	Glickman	D8/382
5,772,185	A *	6/1998	Pulsipher	E04D 3/405 256/1
D444,243	S *	6/2001	Erwin	E04H 17/16 D25/135

**FOREIGN PATENT DOCUMENTS**

KR 101498268 B1 3/2015

*Primary Examiner* — Kevin K Rudzinski

*Assistant Examiner* — Richard Kearney

(74) *Attorney, Agent, or Firm* — John S. Artz; Dickinson Wright PLLC

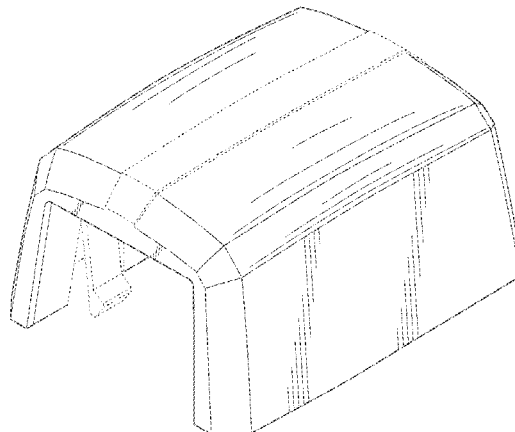
(57) **CLAIM**

We claim the ornamental design for a modular deck light, as shown and described.

**DESCRIPTION**

FIG. 1 is a perspective view of a modular deck light showing our new design;  
 FIG. 2 is a first end view of the modular deck light of FIG. 1;  
 FIG. 3 is a second end view of the modular deck light of FIG. 1;  
 FIG. 4 is a first side view of the modular deck light of FIG. 1;  
 FIG. 5 is a second side view of the modular deck light of FIG. 1;  
 FIG. 6 is a bottom view of the modular deck light of FIG. 1; and,  
 FIG. 7 is a top view of the modular deck light of FIG. 1.  
 The broken lines in the drawings are included for the purpose of illustrating an environmental structure and form no part of the claimed design.

**1 Claim, 5 Drawing Sheets**



(56)

**References Cited**

U.S. PATENT DOCUMENTS

D670,843 S \* 11/2012 von Waldthausen ..... D26/37  
D696,104 S \* 12/2013 Kampl ..... D8/394  
8,801,214 B2 8/2014 Chrysanthous  
9,206,951 B2 12/2015 McLennan et al.  
D757,215 S \* 5/2016 Gehrung ..... D23/226  
D788,625 S \* 6/2017 Hsieh ..... D10/106.6  
D806,460 S \* 1/2018 Gasser ..... D6/719  
D807,533 S \* 1/2018 Ray ..... D25/135  
2013/0076269 A1 3/2013 Shilton  
2015/0251735 A1 9/2015 O'Maley  
2017/0241600 A1\* 8/2017 Beatenbough ..... F21S 8/04  
2017/0241626 A1\* 8/2017 Stuart ..... F21V 21/088

\* cited by examiner

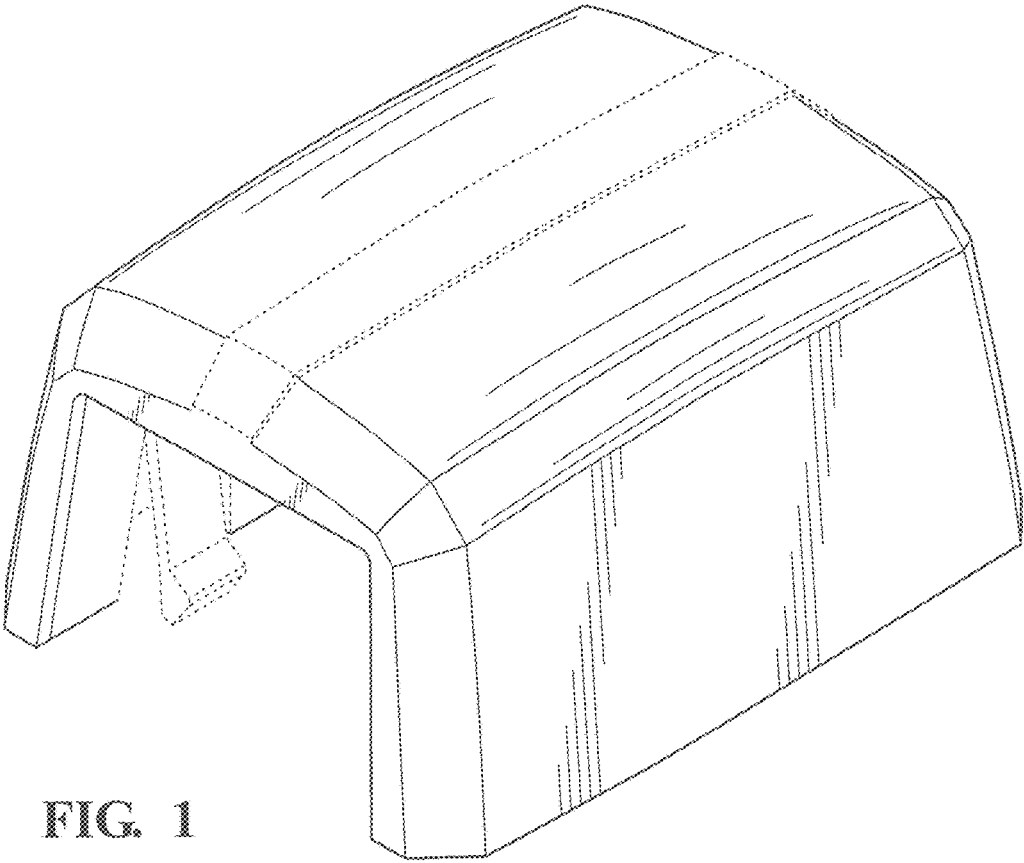


FIG. 1

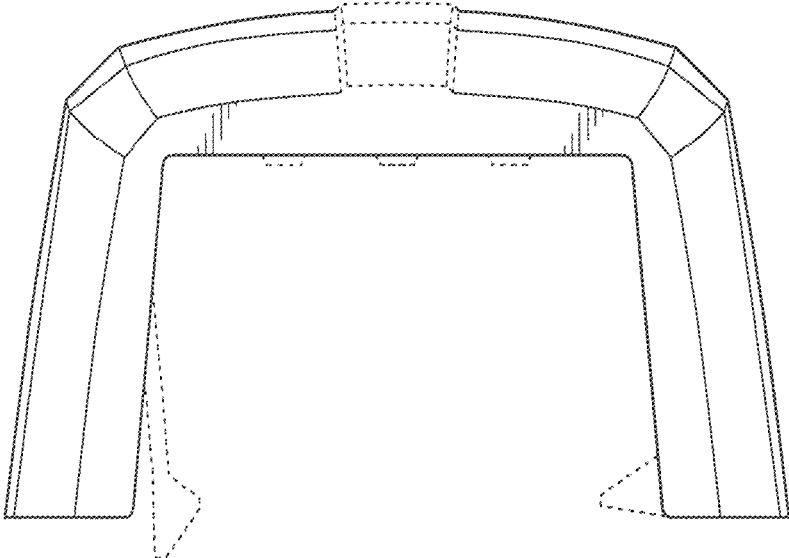


FIG. 2

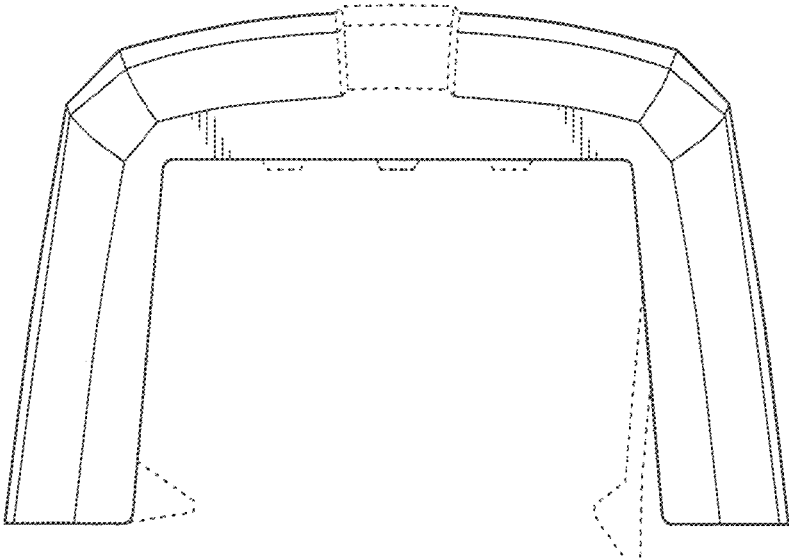


FIG. 3

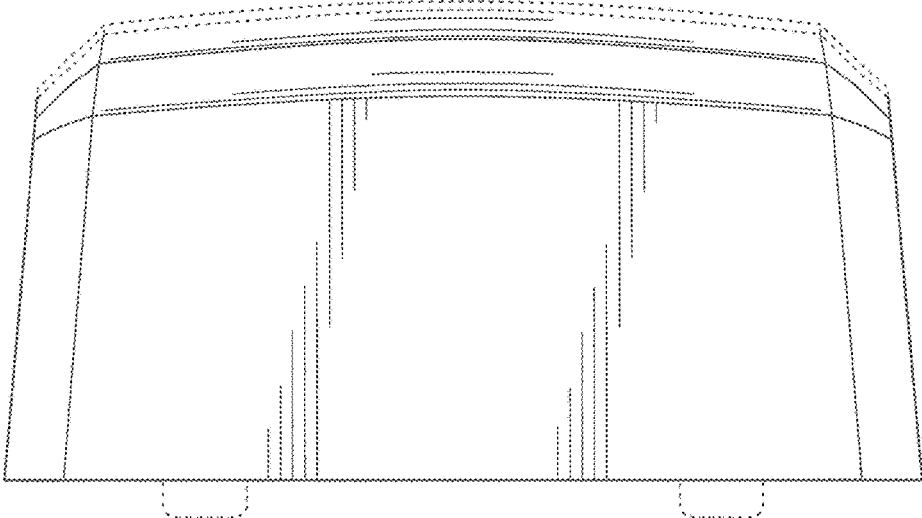


FIG. 4

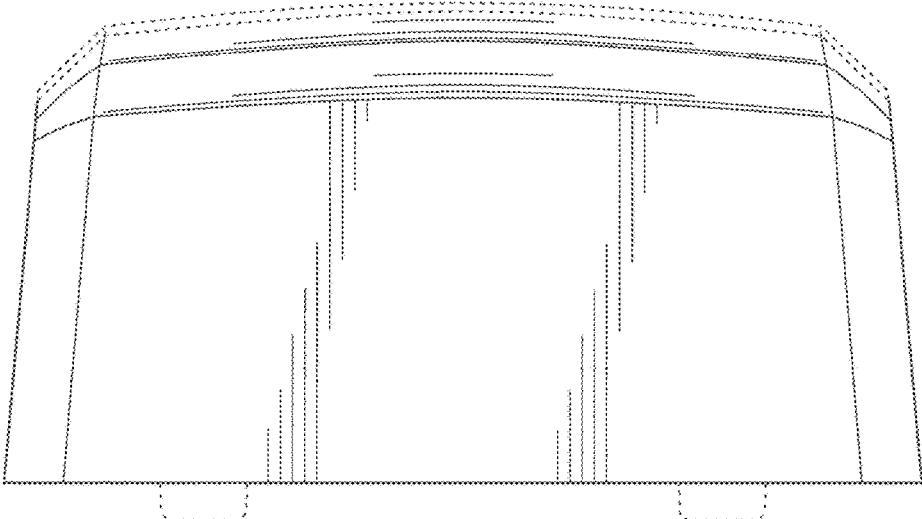


FIG. 5

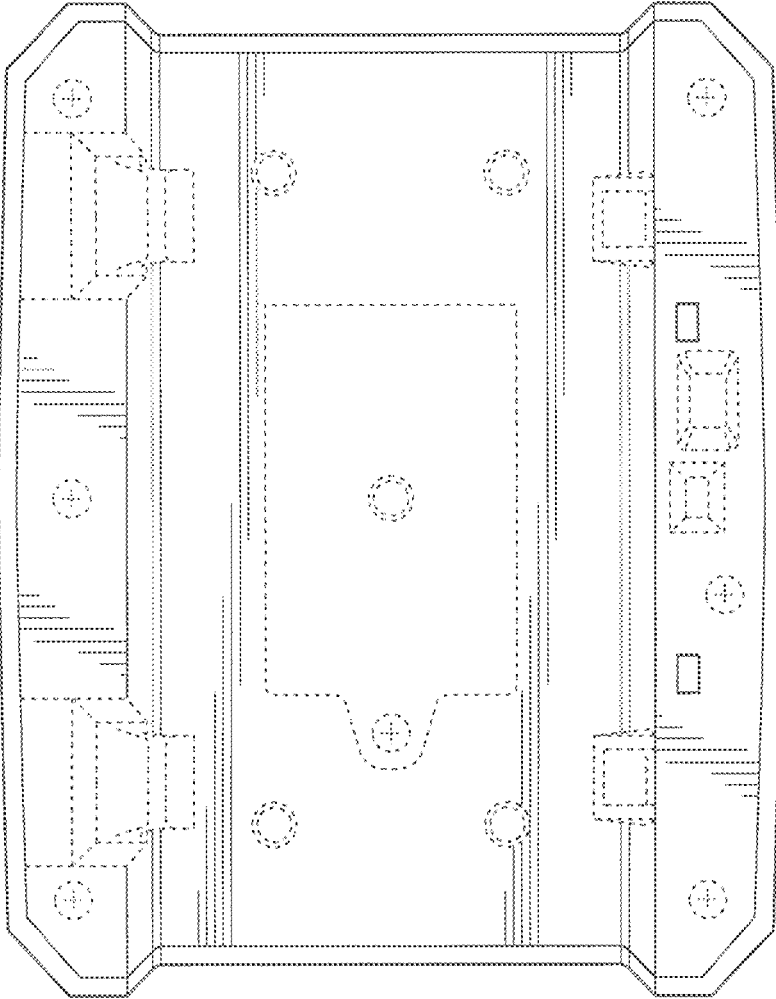


FIG. 6

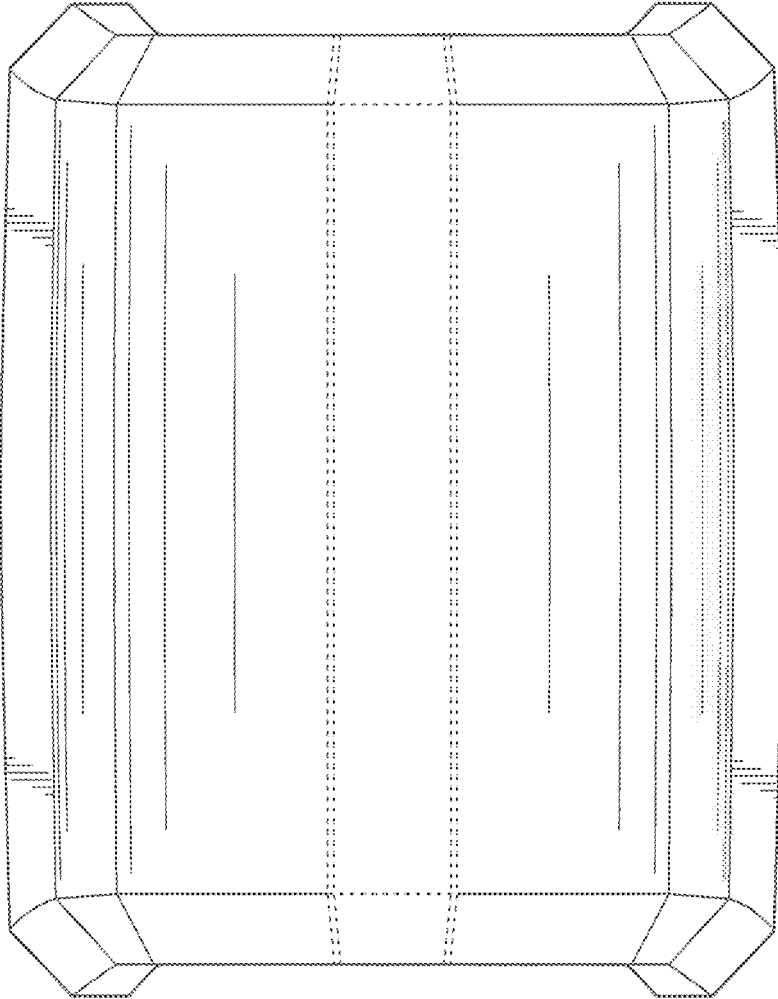


FIG. 7