



(51) International Patent Classification:
G06F 15/177 (2006.01)

(21) International Application Number:
PCT/US2014/048569

(22) International Filing Date:
29 July 2014 (29.07.2014)

(25) Filing Language: English

(26) Publication Language: English

(71) Applicant: HEWLETT PACKARD DEVELOPMENT COMPANY, L.P. [US/US]; 11445 Compaq Center Drive West, Houston, Texas 77070 (US).

(72) Inventors: KANG, Jinman; Hewlett-Packard Company, 16399 West Bernardo Drive, San Diego, California 92127-1899 (US). MARATHE, Amit; Hewlett-Packard Company, 16399 West Bernardo Drive, San Diego, California 92127-1899 (US).

(74) Agents: ANDERSON, Erik A. et al.; Hewlett-Packard Company, Intellectual Property Administration, 3404 East Harmony Road Mail Stop 35, Fort Collins, Colorado 80528 (US).

(81) Designated States (unless otherwise indicated, for every kind of national protection available): AE, AG, AL, AM, AO, AT, AU, AZ, BA, BB, BG, BH, BN, BR, BW, BY,

BZ, CA, CH, CL, CN, CO, CR, CU, CZ, DE, DK, DM, DO, DZ, EC, EE, EG, ES, FI, GB, GD, GE, GH, GM, GT, HN, HR, HU, ID, IL, IN, IR, IS, JP, KE, KG, KN, KP, KR, KZ, LA, LC, LK, LR, LS, LT, LU, LY, MA, MD, ME, MG, MK, MN, MW, MX, MY, MZ, NA, NG, NI, NO, NZ, OM, PA, PE, PG, PH, PL, PT, QA, RO, RS, RU, RW, SA, SC, SD, SE, SG, SK, SL, SM, ST, SV, SY, TH, TJ, TM, TN, TR, TT, TZ, UA, UG, US, UZ, VC, VN, ZA, ZM, ZW.

(84) Designated States (unless otherwise indicated, for every kind of regional protection available): ARIPO (BW, GH, GM, KE, LR, LS, MW, MZ, NA, RW, SD, SL, SZ, TZ, UG, ZM, ZW), Eurasian (AM, AZ, BY, KG, KZ, RU, TJ, TM), European (AL, AT, BE, BG, CH, CY, CZ, DE, DK, EE, ES, FI, FR, GB, GR, HR, HU, IE, IS, IT, LT, LU, LV, MC, MK, MT, NL, NO, PL, PT, RO, RS, SE, SI, SK, SM, TR), OAPI (BF, BJ, CF, CG, CI, CM, GA, GN, GQ, GW, KM, ML, MR, NE, SN, TD, TG).

Declarations under Rule 4.17:

- as to the identity of the inventor (Rule 4.17(i))
- as to applicant's entitlement to apply for and be granted a patent (Rule 4.17(ii))

Published:

- with international search report (Art. 21(3))

(54) Title: DEFAULT CALIBRATED SENSOR MODULE SETTINGS

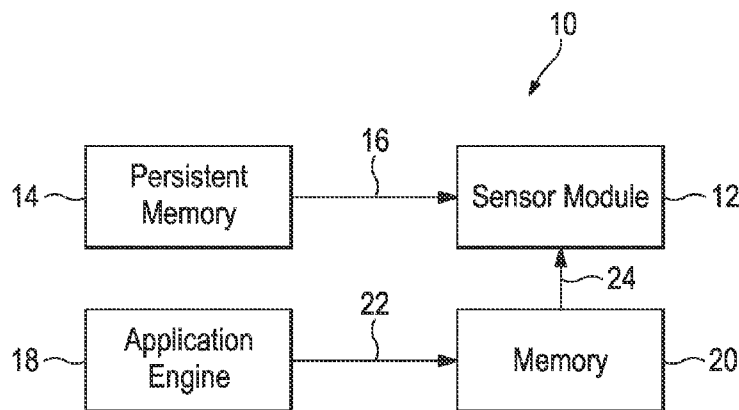


FIG. 1

(57) Abstract: Examples of a system, method, and machine-readable non-transitory storage medium including instructions executable by a processor are disclosed herein. An example of the machine-readable non-transitory storage medium includes instructions executable by a processor to allow selection of a capture mode of a sensor module to record still images and/or a video mode of the sensor module to record video, retrieve default calibrated sensor module settings from a persistent memory, allow creation of at least one user defined sensor module setting that differs from one of the default calibrated sensor module settings, and utilize the at least one user defined sensor module setting along with the remaining default calibrated sensor module settings with the selected sensor module mode.

WO 2016/018243 A1

DEFAULT CALIBRATED SENSOR MODULE SETTINGS

BACKGROUND

[0001] End users appreciate quality images and video. They also appreciate the ability to easily use devices that create such images and video. Designers and manufacturers may, therefore, endeavor to create and provide technology directed toward at least some of these objectives.

BRIEF DESCRIPTION OF THE DRAWINGS

[0002] The following detailed description references the drawings, wherein:

[0003] FIG. 1 is an example of a system in accordance with an implementation.

[0004] FIG. 2 is an example of additional elements of the system of FIG. 1 in accordance with an implementation.

[0005] FIG. 3 is an example of a method in accordance with an implementation.

[0006] FIG. 4 is an example of additional elements of the method of FIG. 3 in accordance with an implementation.

[0007] FIG. 5 is an example of a machine-readable non-transitory storage medium including instructions executable by a processor in accordance with an implementation.

[0008] FIG. 6 is an example of additional instructions in accordance with an implementation that are executable by a processor that may be included on the machine-readable non-transitory storage medium of FIG. 5.

DETAILED DESCRIPTION

[0009] Sensor modules that record still images or video may have unit-by-unit variations in their individual components. For example, the illumination sources of sensor modules may vary in the intensity of their light output or the wavelength of the light they emit. As another example, the photosensitive members of sensor modules may differ in their responsiveness to different wavelengths of light. These sensor module unit-by-unit variations can result in visually perceptible differences in the images and/or video they produce. For example, the colors in these images and/or video may differ enough so as to be noticeable by and objectionable to end users of the sensor modules or the devices in which they are used. As another example, the contrast of images and/or video of the same subject taken by different sensor modules may vary enough so as to be perceptible by and a concern to end users of the sensor modules or the devices in which they are utilized.

[0010] Addressing these technical challenges caused by such unit by unit variations may assist such end users by providing them with more consistent and visually pleasing images and/or video between different sensor modules. This may be achieved by creating a set of default calibrated sensor module settings that are utilized with different sensor modules, as shown, for example, in FIGs. 1-6.

[0011] Developers that utilize sensor modules in devices, as well as end users of such sensor modules and devices, may appreciate the ability to create and utilize at least one user defined sensor module setting that differs from one of a set of default calibrated sensor module settings. This provides flexibility to such developers and end users. Retaining this at least one user defined sensor module setting for subsequent use, until no longer desired, along with any

remaining default calibrated sensor module settings saves developer and end user time because they do not have to repeatedly recreate the user defined sensor module setting each time they want to use a sensor module in a customized manner. Examples directed to addressing these technical challenges are shown in FIGs. 1-6.

[0012] As used herein, the term “sensor module” represents, but is not necessarily limited to, a photosensitive member and an illumination source that are utilized to record still images and/or video. Examples of a photosensitive member include, but are not limited to, a charge-coupled device (CCD), a complementary metal-oxide semiconductor (CMOS), a camera, film, a light-sensitive plate, light sensitive paper, or any combination of the foregoing. Examples of an illumination source include, but are not limited to, a light-emitting diode (LED), a bulb, a tube, a laser, a reflector, a lens, ambient lighting, or any combination of the foregoing.

[0013] As used herein, the term “processor” represents, but is not necessarily limited to, an instruction execution system such as a computer-based system, an Application Specific Integrated Circuit (ASIC), a computing device, a hardware and/or machine-readable instruction system, or any combination thereof, that can fetch or obtain the logic from a machine-readable non-transitory storage medium and execute the instructions contained thereon. “Processor” can also include any controller, state-machine, microprocessor, logic control circuitry, cloud-based utility, service or feature, any other analogue, digital and/or mechanical implementation thereof, or any combination of the foregoing. A processor may be a component of a distributed system.

[0014] As used herein, the term “distributed system” represents, but is not necessarily limited to, multiple processors and machine-readable non-transitory storage media in different locations or systems that communicate via a network, such as the cloud. As used herein, the term “cloud”

represents, but is not necessarily limited to, computing resources (hardware and/or machine readable instructions) that are delivered as a service over a network (such as the internet).

[0015] As used herein, the term “machine-readable non-transitory storage medium” represents, but is not necessarily limited to, any medium that can contain, store, retain, or maintain programs, code, scripts, information, and/or data. A machine-readable non-transitory storage medium may include any one of many physical media such as, for example, electronic, magnetic, optical, electromagnetic, or semiconductor media. A machine-readable non-transitory storage medium may be a component of a distributed system. More specific examples of suitable machine-readable non-transitory storage media include, but are not limited to, a magnetic computer diskette such as floppy diskettes or hard drives, magnetic tape, a read-only memory (ROM), an erasable programmable read-only memory (EPROM), a flash drive or memory, a compact disc (CD), a digital video disk (DVD), or a memristor.

[0016] As used herein, the term “persistent memory” represents, but is not necessarily limited to, any structure, apparatus, memory, method and/or machine-readable non-transitory storage medium for storing data and information such that it can be continually accessed using instructions and/or application programming interfaces (APIs) even after the end of the process that created or last modified them. As used herein the term “memory” represents, but is not necessarily limited to, a device and/or process that allows data and information to be stored thereon for subsequent retrieval by, for example, a processor.

[0017] As used herein, the term “circuitry” represents, but is not necessarily limited to, an interconnection of elements such as a resistor, inductor, capacitor, voltage source, current source, transistor, diode, application specific integrated circuit (ASIC), processor, controller, switch,

transformer, gate, timer, relay, multiplexor, connector, comparator, amplifier, filter, and/or module having these elements that allow operations to be performed alone or in combination with other elements or components. As used herein, the terms “include”, “includes”, “including”, “have”, “has”, “having” and variations thereof, mean the same as the terms “comprise”, “comprises”, and “comprising” or appropriate variations thereof.

[0018] An example of a system 10 in accordance with an implementation is shown in FIG. 1. As can be seen in FIG. 1, system 10 includes a sensor module 12 that has a capture mode to record still images and a video mode to record video. System 10 also includes a persistent memory 14 to store default calibrated sensor module settings to use with sensor module 12 in the capture mode and the video mode, as generally indicated by arrow 16. These default calibrated sensor module settings are intended to address the above-described technical challenges that may arise due to unit by unit variations between different sensor modules so that still images and video of sensor modules, such as sensor module 12, are more consistent and visually pleasing. These default calibrated sensor module settings may include, but are not necessarily limited to, at least one of the following parameters or settings: white balance, contrast, resolution, sensitivity, color space, aperture, shutter speed, compression, noise reduction, frames per second, metering pattern, and exposure compensation. In at least some examples of system 10, these default calibrated sensor module settings may be different for the capture mode and the video mode of sensor module 12.

[0019] As can also be seen in FIG. 1, system 10 includes an application engine 18 to allow creation of at least one user defined sensor module setting that differs from one of the default calibrated sensor module settings to use with sensor module 12 in the capture mode and/or the

video mode. Application engine 16 represents any circuitry, processor, executable instructions, application programming interfaces (APIs), machine-readable non-transitory storage medium, or any combination thereof, that provides a user interface to allow developers and end users to create the at least one user defined sensor module setting. In at least some examples of system 10, application engine 18 allows creation and storage of different at least one user defined sensor module settings for the capture mode and video mode of sensor module 12.

[0020] As can additionally be seen in FIG. 1, system 10 includes a memory 20 to store the at least one user defined sensor module setting, as generally indicated by arrow 22, to use with sensor module 12 in the capture mode and/or video mode, as generally indicated by arrow 24, along with any remaining default calibrated sensor module settings from persistent memory 14, as generally indicated by arrow 16. In at least some examples of system 10, memory 20 may also be a persistent memory.

[0021] An example of additional elements of system 10 in accordance with an implementation is shown in FIG. 2. As can be seen in FIG. 2, system 10 may include a restore sensor module settings engine 26 to allow removal of the at least one user defined sensor module setting from memory 20 and replacement of the removed at least one user defined sensor module setting with a corresponding default calibrated sensor module setting to use with sensor module 12, as generally indicated by arrow 28. Restore sensor module settings engine 16 represents any circuitry, processor, executable instructions, application programming interfaces (APIs), machine-readable non-transitory storage medium, or any combination thereof, that provides a user interface to allow developers and end users to perform this removal and replacement.

[0022] As can also be seen in FIG. 2, system 10 may additionally or alternatively include a monitoring engine 30 to retrieve the default calibrated sensor module settings from persistent memory 14, as generally indicated by arrow 32, and to restore the default calibrated sensor module settings to memory 20, as generally indicated by arrow 34, based on a loss of power to sensor module 12 or other components of system 10. Monitoring engine 30 represents any circuitry, processor, executable instructions, application programming interfaces (APIs), machine-readable non-transitory storage medium, or any combination thereof, that monitors power to system 10 and performs this retrieval and restoration of the default calibrated sensor module settings in the event of a power loss or power cycling to sensor module 12 or other components of system 10.

[0023] As can additionally be seen in FIG. 2, system 10 may also or alternatively include a calibration engine 36 to create the default calibrated sensor module settings to address unit by unit variation between different sensor modules. These default calibrated sensor module settings are then loaded into and stored by persistent memory 14, as generally indicated by arrow 38. Calibration engine 36 represents any circuitry, processor, executable instructions, application programming interfaces (APIs), machine-readable non-transitory storage medium, or any combination thereof, that creates the default calibrated sensor module settings to address unit by unit variations between different sensor module for at least the reasons discussed above.

[0024] As can further be seen in FIG. 2, sensor module 12 may include a photosensitive member 40 and an illumination source 42. Additionally or alternatively, application engine 18 may include a processor 44 and a machine-readable non-transitory storage medium 46 including instructions executable by processor 44, as generally indicated by double-headed arrow 45, to

allow creation of the at least one user defined sensor module setting that differs from one of the default calibrated sensor module settings to use with the sensor module in the capture mode and/or the video mode.

[0025] An example of a method 48 in accordance with an implementation is shown in FIG. 3. As can be seen in FIG. 3, method 48 begins or starts 50 by creating a set of default calibrated sensor module settings to use with different sensor modules that have unit by unit variations, as indicated by block 52, and storing the default calibrated sensor module settings in a persistent memory to use with one of the sensor modules in a capture mode to record still images and a video mode to record video, as indicated by block 54. In at least some examples of method 48, the sensor module may include a photosensitive member and an illumination source. Method 48 continues by allowing creation of at least one user defined sensor module setting that differs from one of the default calibrated sensor module settings (e.g., via a user interface), as indicated by block 56, and allowing utilization of the at least one user defined sensor module setting with the capture mode and/or the video mode along with any remaining default calibrated sensor module settings, as indicated by block 58. Method 48 may then conclude or end 60.

[0026] An example of additional elements of method 48 in accordance with an implementation is shown in FIG. 4. As can be seen in FIG. 4, method 48 may additionally include allowing a user to replace the at least one user defined sensor module setting with a corresponding default calibrated sensor module setting (e.g., via a user interface), as indicated by block 62. As can also be seen in FIG. 4, method 48 may additionally or alternatively include retrieving the default calibrated sensor module settings from the persistent memory based on a loss of power to the sensor module and utilizing the default calibrated sensor module settings with the capture mode and/or the video mode, as indicated by block 64.

[0027] As can additionally be seen in FIG. 4, method 48 may address unit by unit variations between different sensor modules, as indicated by block 66, by creating the set of default calibrated sensor module settings to use with different sensor modules, as indicated by block 52. As can further be seen in FIG. 4, method 48 may alternatively or additionally include executing a set of instructions on a machine-readable non-transitory storage medium via a processor to create the set of default calibrated sensor module settings, create the at least one user defined sensor module setting that differs from one of the default calibrated sensor module settings and/or utilize the at least one user defined sensor module setting with the capture mode and/or the video mode along with any remaining default calibrated sensor module settings, as indicated by block 68.

[0028] An example of a machine-readable non-transitory storage medium 70 including instructions executable by a processor 72, as generally indicated by double-headed arrow 74, in accordance with an implementation is shown in FIG. 5. As can be seen in FIG. 5, machine-readable non-transitory storage medium 70 includes instructions 76, executable by processor 72, to allow selection (e.g., via a user interface) of a capture mode of a sensor module to record still images and/or a video mode of the sensor module to record video and instructions 78, executable by processor 72, to retrieve default calibrated sensor module settings from a persistent memory. As can also be seen in FIG. 5, machine-readable non-transitory storage medium 70 includes instructions 80, executable by processor 72, to allow creation (e.g., via a user interface) of at least one user defined sensor module setting that differs from one of the default calibrated sensor module settings and instructions 82, executable by processor 72, to utilize the at least one user defined sensor module setting along with the remaining default calibrated sensor module settings with the selected sensor module mode.

[0029] An example of additional instructions in accordance with an implementation that are executable by processor 72, as generally indicated by double-headed arrow 74, that may be included on machine-readable non-transitory storage medium 70 are shown in FIG. 6. As can be seen in FIG. 6, machine-readable non-transitory storage medium 70 may include instructions 84, executable by processor 72, to allow replacement of the at least one user defined sensor module setting with a corresponding default calibrated sensor module setting. As can also be seen in FIG. 6, machine-readable non-transitory storage medium 70 may additionally or alternatively include instructions 86, executable by processor 72, to retrieve the default calibrated sensor module settings from a persistent memory based on a loss of power to the sensor module and to utilize the default calibrated sensor module settings with the sensor module. As can additionally be seen in FIG. 6, machine-readable non-transitory storage medium 70 may also or alternatively include instructions 88, executable by processor 72, to create the default calibrated sensor module settings to address unit by unit variations between different sensor modules.

[0030] Although several drawings have been described and illustrated in detail, it is to be understood that the same are intended by way of illustration and example. These examples are not intended to be exhaustive or to be limited to the precise form disclosed. Modifications, additions, and variations may well be apparent. For example, although not shown in FIGs. 1-6, it is to be understood that sensor module 12, persistent memory 14, restore sensor module settings engine 26, monitoring engine 30 and/or calibration engine 36 may include a processor and a machine-readable non-transitory storage medium including instructions executable by that processor.

[0031] Additionally, reference to an element in the singular is not intended to mean one, unless explicitly so stated, but rather means at least one. Furthermore, unless specifically stated, any method elements are not limited to the sequence or order described and illustrated. Moreover, no element or component is intended to be dedicated to the public regardless of whether the element or component is explicitly recited in the following claims.

CLAIMS

What is claimed is:

1. A system, comprising:

a sensor module including a capture mode to record still images and a video mode to record video;

a persistent memory to store default calibrated sensor module settings to use with the sensor module in the capture mode and the video mode;

an application engine to allow creation of at least one user defined sensor module setting that differs from one of the default calibrated sensor module settings to use with the sensor module in one of the capture mode and the video mode; and

a memory to store the at least one user defined sensor module setting to use with the sensor module in one of the capture mode and the video mode along with any remaining default calibrated sensor module settings.

2. The system of Claim 1, further comprising a restore sensor module settings engine to allow removal of the at least one user defined sensor module setting from the memory and replacement of the removed at least one user defined sensor module setting with a corresponding default calibrated sensor module setting to use with the sensor module.

3. The system of Claim 1, further comprising a monitoring engine to retrieve the default calibrated sensor module settings from the persistent memory and to restore the default calibrated sensor module settings to the memory based on a loss of power to the sensor module.

4. The system of Claim 1, wherein the sensor module includes a photosensitive member and an illumination source, and further wherein the second memory includes an additional persistent memory.

5. The system of Claim 1, wherein the application engine includes a processor and a machine-readable non-transitory storage medium including instructions executable by the processor to allow creation of the at least one user defined sensor module setting that differs from one of the default calibrated sensor module settings to use with the sensor module in one of the capture mode and the video mode.

6. The system of Claim 1, further comprising a calibration engine to create the default calibrated sensor module settings to address unit by unit variations between different sensor modules.

7. A method, comprising:

creating a set of default calibrated sensor module settings to use with different sensor modules;

storing the default calibrated sensor module settings in a persistent memory to use with one of the sensor modules in a capture mode to record still images and a video mode to record video;

allowing creation of at least one user defined sensor module setting that differs from one of the default calibrated sensor module settings; and

allowing utilization of the at least one user defined sensor module setting with one of the capture mode and the video mode along with any remaining default calibrated sensor module settings.

8. The method of Claim 7, further comprising allowing a user to replace the at least one user defined sensor module setting with a corresponding default calibrated sensor module setting.

9. The method of Claim 7, further comprising retrieving the default calibrated sensor module settings from the persistent memory based on a loss of power to the sensor module and utilizing the default calibrated sensor module settings with one of the capture mode and the video mode.

10. The method of Claim 7, wherein the sensor module includes a photosensitive member and an illumination source, and further wherein creating a set of default calibrated sensor module settings to use with different sensor modules includes addressing unit by unit variations between different sensor modules.

11. The method of Claim 7, further comprising executing a set of instructions on a machine-readable non-transitory storage medium via a processor to one of create the set of default calibrated sensor module settings, create the at least one user defined sensor module setting that differs from one of the default calibrated sensor module settings, and utilize the at least one user defined sensor module setting with one of the capture mode and the video mode along with any remaining default calibrated sensor module settings.

12. A machine-readable non-transitory storage medium comprising instructions executable by a processor to:

allow selection of one of a capture mode of a sensor module to record still images and a video mode of the sensor module to record video;

retrieve default calibrated sensor module settings from a persistent memory;

allow creation of at least one user defined sensor module setting that differs from one of the default calibrated sensor module settings; and

utilize the at least one user defined sensor module setting along with the remaining default calibrated sensor module settings with the selected sensor module mode.

13. The machine-readable non-transitory storage medium of Claim 12, further comprising additional instructions executable by a processor to allow replacement of the at least one user defined sensor module setting with a corresponding default calibrated sensor module setting.

14. The machine-readable non-transitory storage medium of Claim 12, further comprising additional instructions executable by a processor to retrieve the default calibrated sensor module settings from a persistent memory based on a loss of power to the sensor module and to utilize the default calibrated sensor module settings with the sensor module.

15. The machine-readable non-transitory storage medium of Claim 12, further comprising additional instructions executable by a processor to create the default calibrated sensor module settings to address unit by unit variations between different sensor modules.

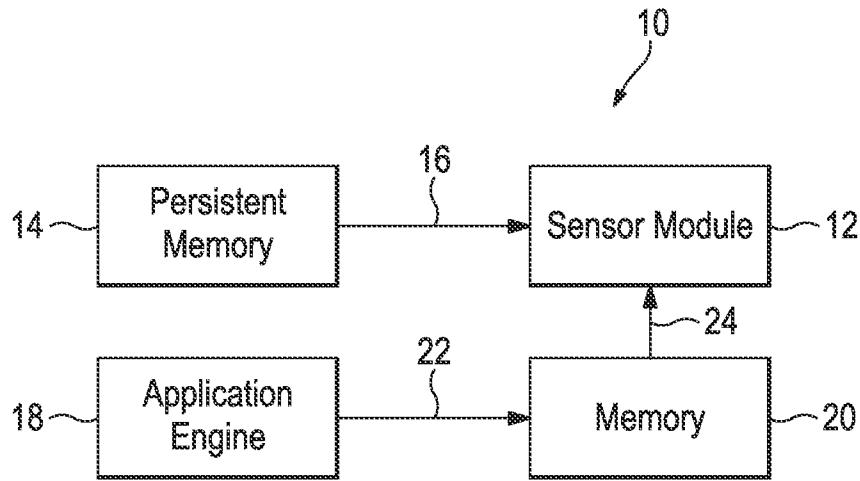


FIG. 1

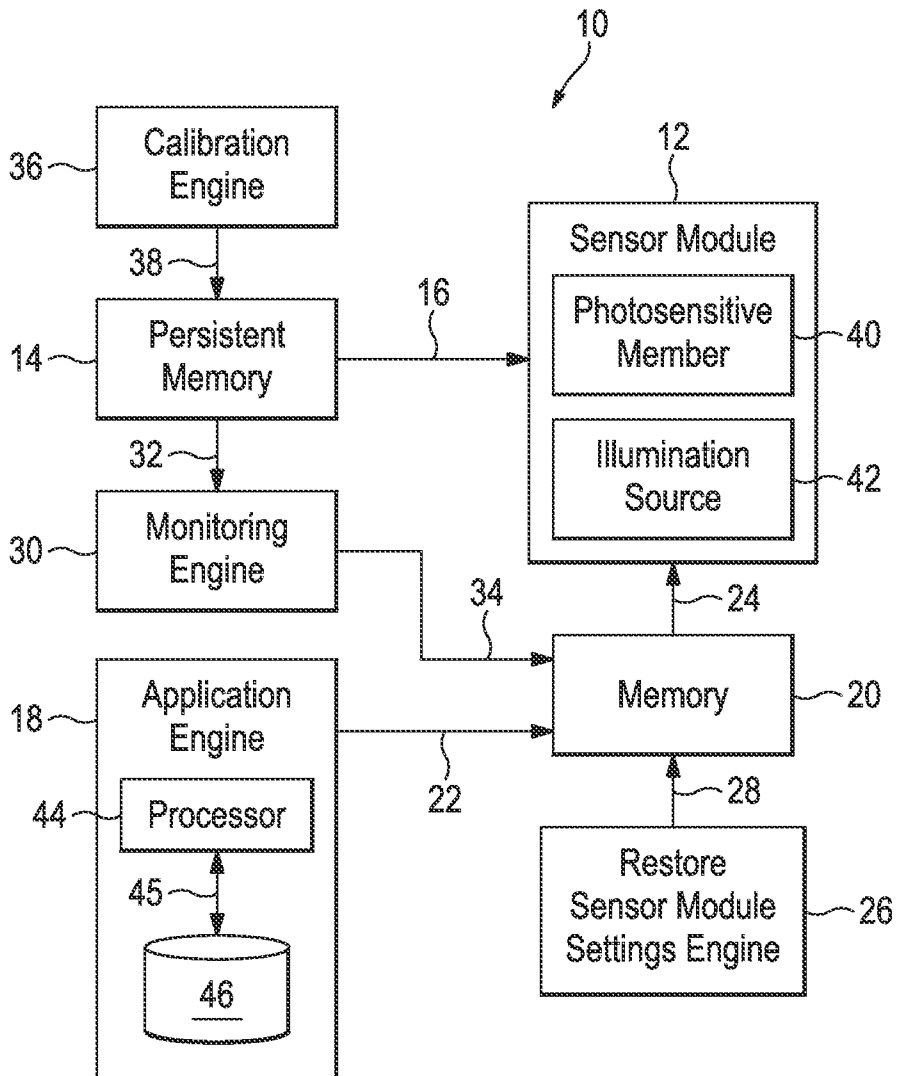


FIG. 2

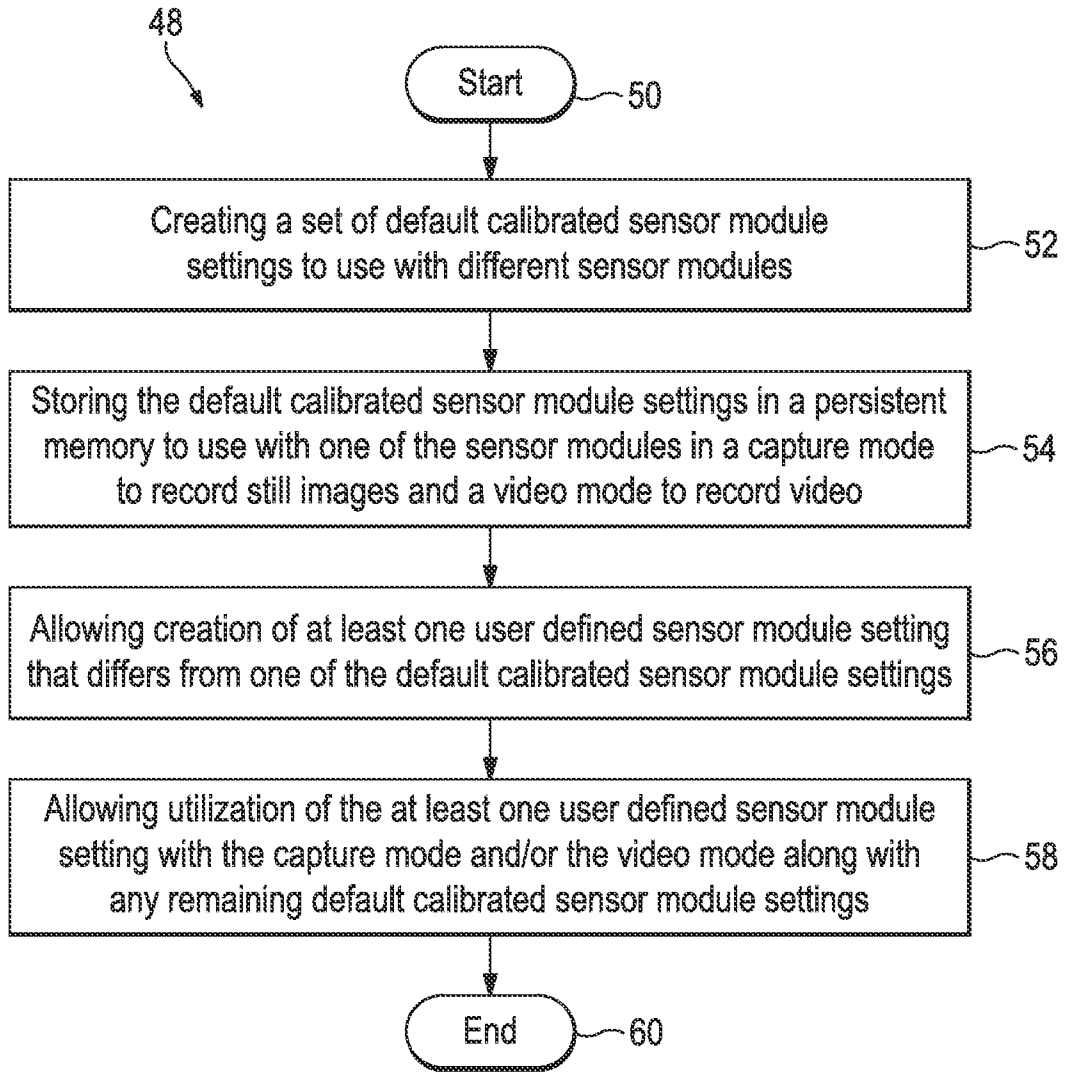


FIG. 3

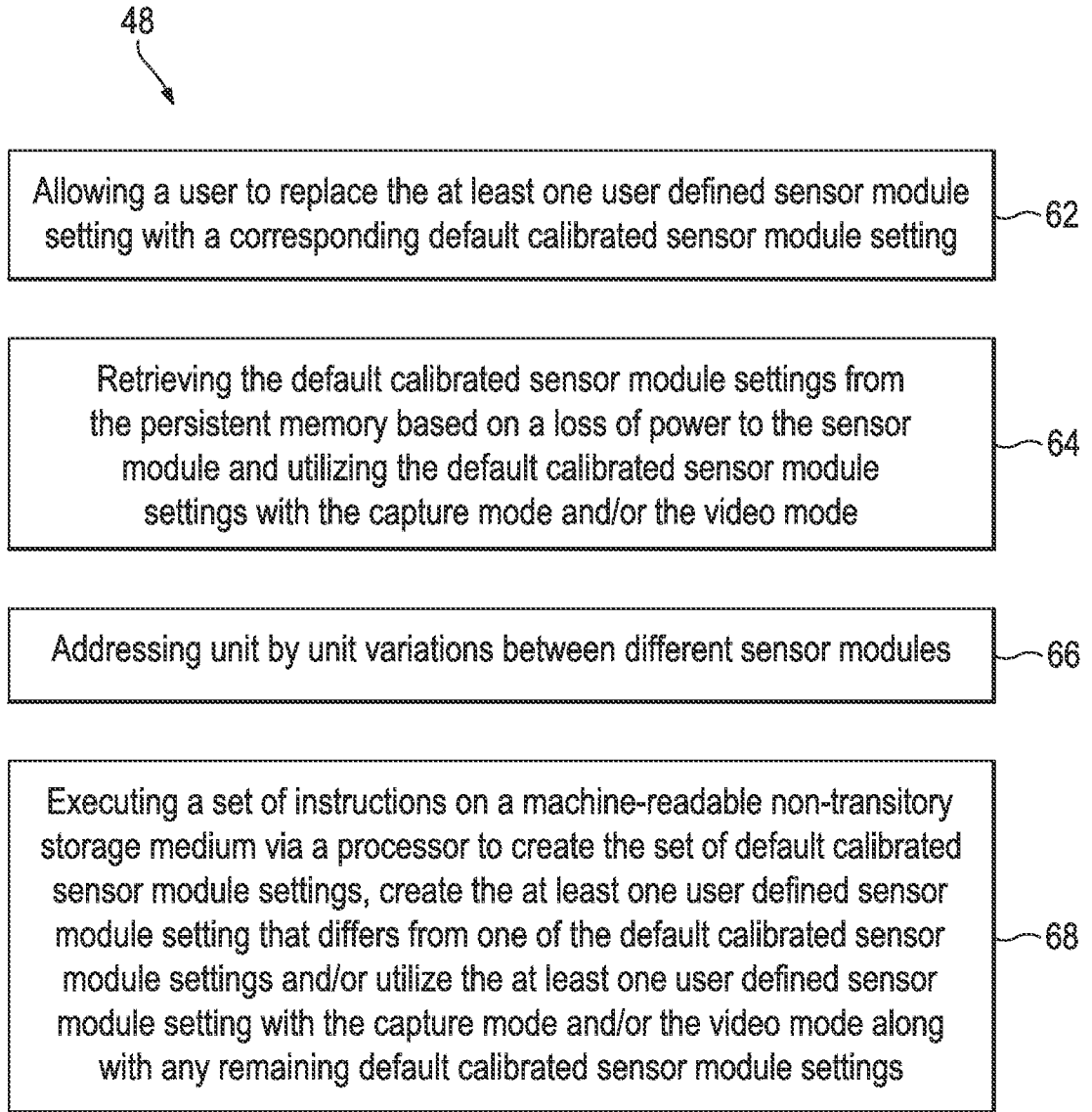


FIG. 4

4/5

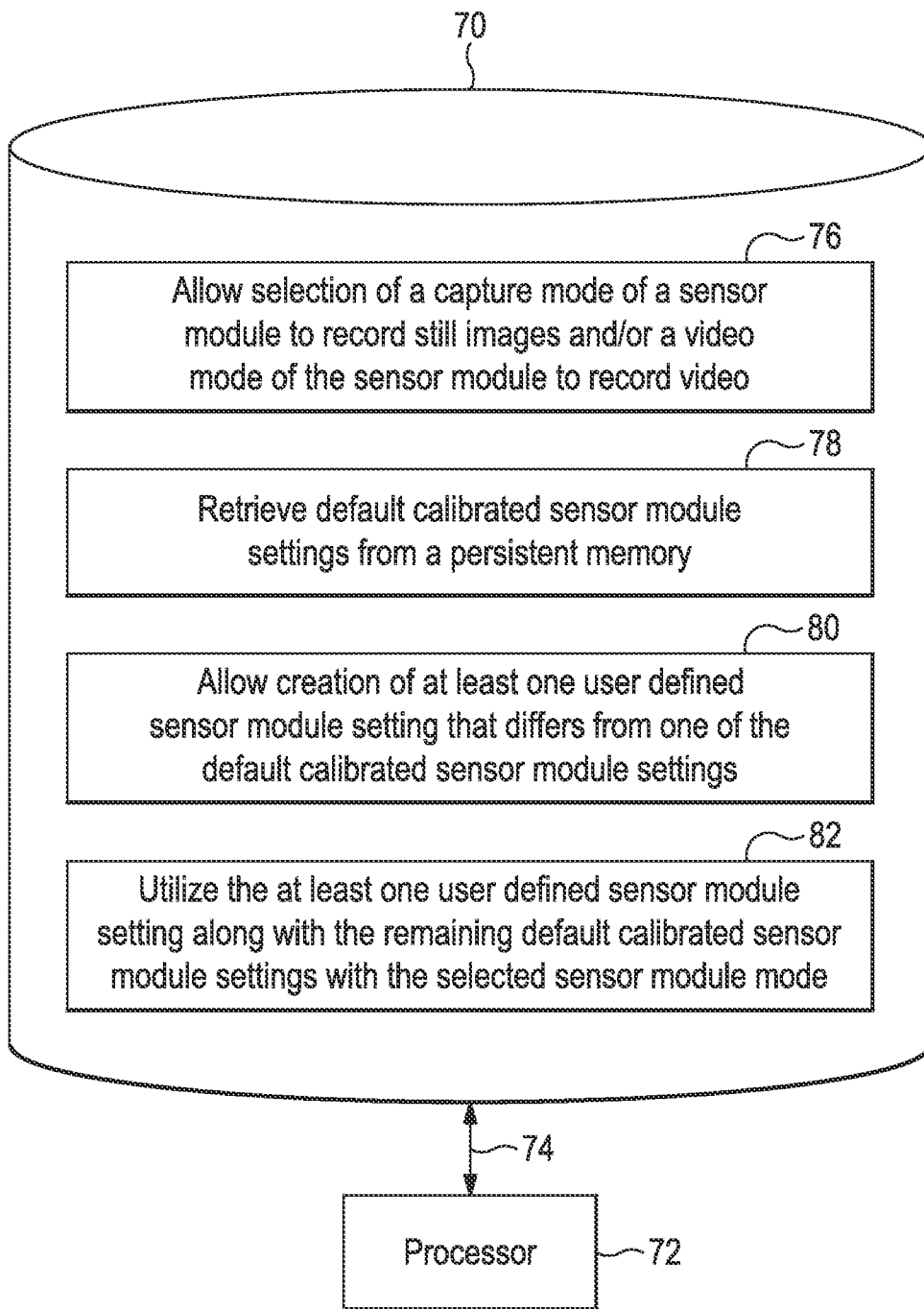


FIG. 5

5/5

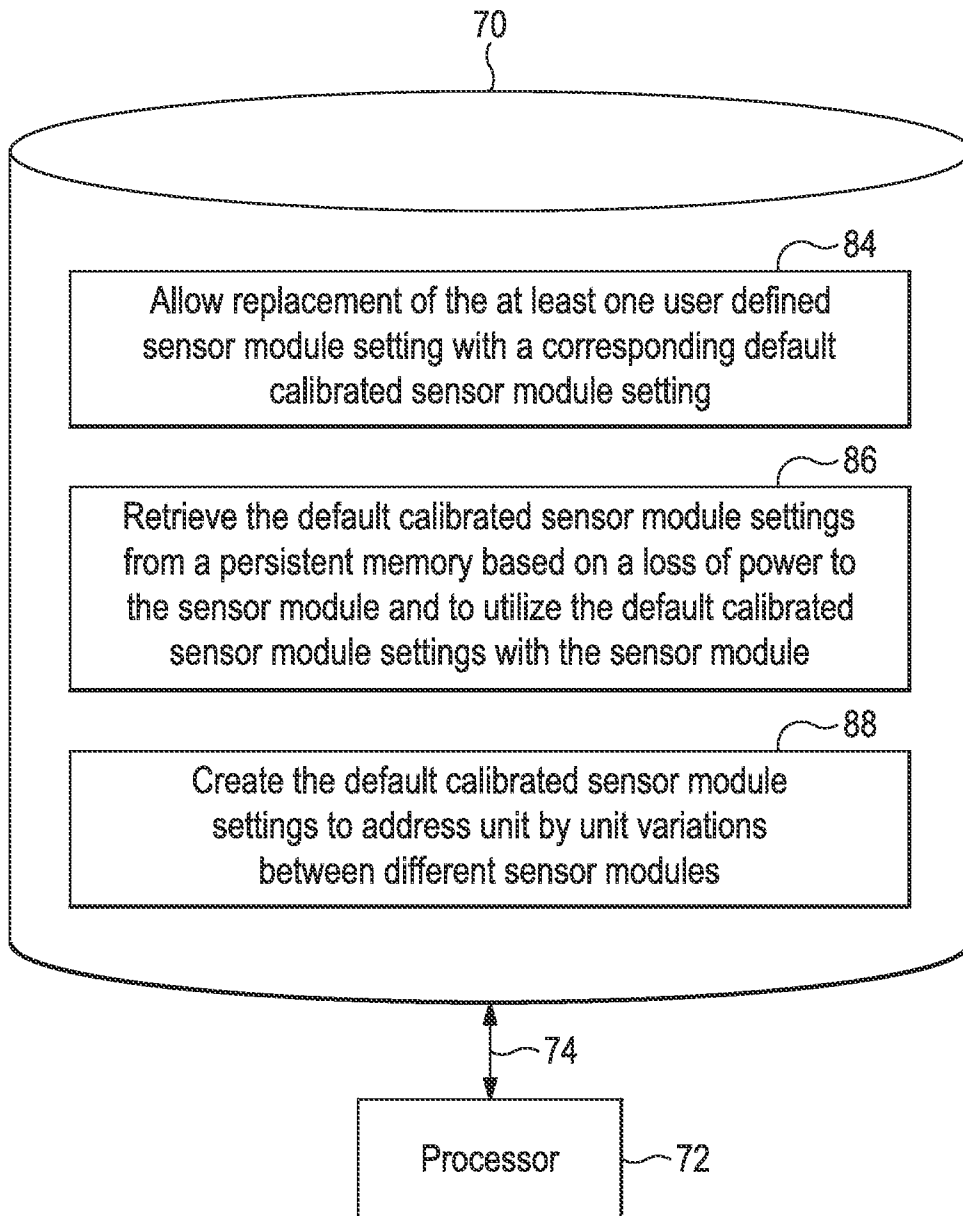


FIG. 6

A. CLASSIFICATION OF SUBJECT MATTER**G06F 15/177(2006.01)i**

According to International Patent Classification (IPC) or to both national classification and IPC

B. FIELDS SEARCHED

Minimum documentation searched (classification system followed by classification symbols)

G06F 15/177; H04N 5/232; G03B 13/32; G01N 21/89; H04N 5/38; H04N 9/73; A61B 1/04; G01C 3/08; G06T 1/00

Documentation searched other than minimum documentation to the extent that such documents are included in the fields searched

Korean utility models and applications for utility models

Japanese utility models and applications for utility models

Electronic data base consulted during the international search (name of data base and, where practicable, search terms used)

eKOMPASS(KIPO internal) & Keywords: video, image, capture, calibrate, sensor, module

C. DOCUMENTS CONSIDERED TO BE RELEVANT

Category*	Citation of document, with indication, where appropriate, of the relevant passages	Relevant to claim No.
A	WO 2009-018612 A1 (QR LIMITED) 12 February 2009 See abstract; claims 1-22.	1-15
A	US 2009-0202235 A1 (JINGQIANG LI et al.) 13 August 2009 See abstract; claims 1-2, 16-17; and figures 1-3.	1-15
A	US 2009-0105538 A1 (JACQUES VAN DAM et al.) 23 April 2009 See abstract; claims 1-14.	1-15
A	US 2008-0266541 A1 (WAI LAM YUNG et al.) 30 October 2008 See abstract; claims 1-9.	1-15

 Further documents are listed in the continuation of Box C. See patent family annex.

* Special categories of cited documents:

"A" document defining the general state of the art which is not considered to be of particular relevance

"E" earlier application or patent but published on or after the international filing date

"L" document which may throw doubts on priority claim(s) or which is cited to establish the publication date of another citation or other special reason (as specified)

"O" document referring to an oral disclosure, use, exhibition or other means

"P" document published prior to the international filing date but later than the priority date claimed

"T" later document published after the international filing date or priority date and not in conflict with the application but cited to understand the principle or theory underlying the invention

"X" document of particular relevance; the claimed invention cannot be considered novel or cannot be considered to involve an inventive step when the document is taken alone

"Y" document of particular relevance; the claimed invention cannot be considered to involve an inventive step when the document is combined with one or more other such documents, such combination being obvious to a person skilled in the art

"&" document member of the same patent family

Date of the actual completion of the international search

22 April 2015 (22.04.2015)

Date of mailing of the international search report

23 April 2015 (23.04.2015)

Name and mailing address of the ISA/KR

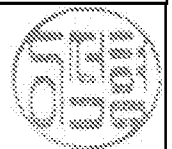
International Application Division
Korean Intellectual Property Office
189 Cheongsu-ro, Seo-gu, Daejeon Metropolitan City, 302-701,
Republic of Korea

Facsimile No. ++82 42 472 7140

Authorized officer

LEE, Seok Hyung

Telephone No. +82-42-481-5983



INTERNATIONAL SEARCH REPORT

Information on patent family members

International application No.

PCT/US2014/048569

Patent document cited in search report	Publication date	Patent family member(s)	Publication date
WO 2009-018612 A1	12/02/2009	AU 2008-286243 A1	12/02/2009
		AU 2008-286243 B2	14/02/2013
		CN 101784887 A	21/07/2010
		CN 103223870 A	31/07/2013
		EP 2174117 A1	14/04/2010
		EP 2174117 A4	12/06/2013
		JP 2010-535658 A	25/11/2010
		JP 2010-535658 T	25/11/2010
		JP 5659013 B2	28/01/2015
		NZ 582938 A	29/07/2011
		US 2010-0322465 A1	23/12/2010
		ZA 2010-00639 A	27/10/2010
		US 2009-0202235 A1	13/08/2009
CN 101918892 B	26/02/2014		
EP 2091235 A2	19/08/2009		
EP 2091235 A3	24/03/2010		
JP 2011-514982 A	12/05/2011		
JP 2011-514982 T	12/05/2011		
JP 2013-122605 A	20/06/2013		
JP 5628354 B2	19/11/2014		
KR 10-1205463 B1	28/11/2012		
KR 10-2010-0112655 A	19/10/2010		
TW 200945886 A	01/11/2009		
US 8577216 B2	05/11/2013		
WO 2009-103000 A2	20/08/2009		
WO 2009-103000 A3	01/04/2010		
US 2009-0105538 A1	23/04/2009	EP 2190341 A2	02/06/2010
		JP 2010-534531 A	11/11/2010
		JP 2010-534531 T	11/11/2010
		WO 2009-015396 A2	29/01/2009
		WO 2009-015396 A3	23/04/2009
US 2008-0266541 A1	30/10/2008	EP 2147332 A2	27/01/2010
		US 7855778 B2	21/12/2010
		WO 2008-155657 A2	24/12/2008
		WO 2008-155657 A3	11/06/2009