



- (51) International Patent Classification:  
*G06F 1/32* (2006.01)
- (21) International Application Number:  
PCT/US2012/045337
- (22) International Filing Date:  
3 July 2012 (03.07.2012)
- (25) Filing Language: English
- (26) Publication Language: English
- (30) Priority Data:  
201110186968.4 5 July 2011 (05.07.2011) CN
- (71) Applicant (for all designated States except US): **3M INNOVATIVE PROPERTIES COMPANY** [US/US]; 3M Center, Post Office Box 33427, Saint Paul, Minnesota 55133-3427 (US).
- (72) Inventors; and
- (75) Inventors/Applicants (for US only): **DU, Guanglei** [CN/CN]; 8 Xing Yi Road, Maxdo Center 38/F, Shanghai 200336 (CN). **KECMAN, Fedja** [US/US]; 3M Center, Post Office Box 33427, Saint Paul, Minnesota 55133-3427 (US). **SIEFKEN, Shannon L.** [US/US]; 3M Center, Post Office Box 33427, Saint Paul, Minnesota 55133-3427 (US).

- (74) Agents: **PRALLE, Jay R.** et al.; 3M Center, Office of Intellectual Property Counsel, Post Office Box 33427, Saint Paul, Minnesota 55133-3427 (US).
- (81) Designated States (unless otherwise indicated, for every kind of national protection available): AE, AG, AL, AM, AO, AT, AU, AZ, BA, BB, BG, BH, BR, BW, BY, BZ, CA, CH, CL, CN, CO, CR, CU, CZ, DE, DK, DM, DO, DZ, EC, EE, EG, ES, FI, GB, GD, GE, GH, GM, GT, HN, HR, HU, ID, IL, IN, IS, JP, KE, KG, KM, KN, KP, KR, KZ, LA, LC, LK, LR, LS, LT, LU, LY, MA, MD, ME, MG, MK, MN, MW, MX, MY, MZ, NA, NG, NI, NO, NZ, OM, PE, PG, PH, PL, PT, QA, RO, RS, RU, RW, SC, SD, SE, SG, SK, SL, SM, ST, SV, SY, TH, TJ, TM, TN, TR, TT, TZ, UA, UG, US, UZ, VC, VN, ZA, ZM, ZW.
- (84) Designated States (unless otherwise indicated, for every kind of regional protection available): ARIPO (BW, GH, GM, KE, LR, LS, MW, MZ, NA, RW, SD, SL, SZ, TZ, UG, ZM, ZW), Eurasian (AM, AZ, BY, KG, KZ, RU, TJ, TM), European (AL, AT, BE, BG, CH, CY, CZ, DE, DK, EE, ES, FI, FR, GB, GR, HR, HU, IE, IS, IT, LT, LU, LV, MC, MK, MT, NL, NO, PL, PT, RO, RS, SE, SI, SK, SM, TR), OAPI (BF, BJ, CF, CG, CI, CM, GA, GN, GQ, GW, ML, MR, NE, SN, TD, TG).

Published:  
— with international search report (Art. 21(3))

(54) Title: POWER CONTROL DEVICE AND POWER CONTROL METHOD

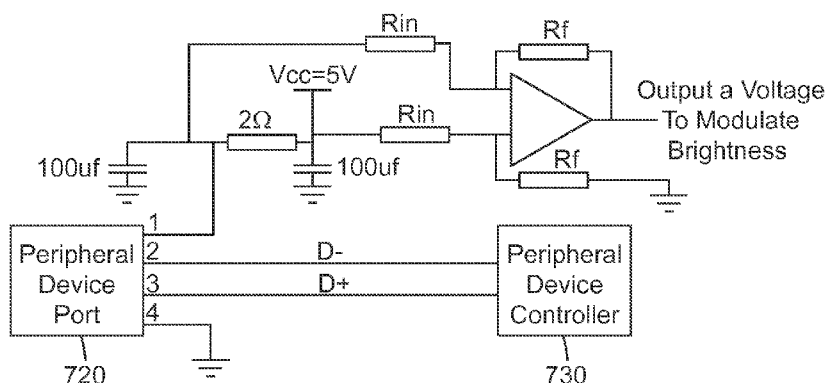


Fig. 8

(57) Abstract: The present invention provides a power control device, a machine comprising the same and a power control method. The device is used for an integrated machine comprising a thin client and a display and comprises: a current detecting unit for detecting the current flowing through a port in the thin client connecting to the peripheral device; and a control signal generating unit for generating a control signal based on the intensity of the detected current to adjust the power consumption of the display and/or the thin client to maintain no increase in the power consumption of the integrated machine. The power control device, the machine comprising the same and the power control method of the present invention can be used to avoid low efficiency resulting from the power reservations for peripheral devices connected by a USB port.

WO 2013/006591 A1

## POWER CONTROL DEVICE AND POWER CONTROL METHOD

### Background

5           The present invention relates to a power supply integrated machine. Specifically, the present invention relates to a power control device included in an integrated machine and a power control method.

### Summary

10           In current computer networks, thin clients are becoming more and more important. According to the prediction of Gartner, an IT consulting organization, approximately 35% of desktops would be transformed to server computing-based or cloud computing-based thin clients by 2014. Currently, many organizations and companies, such as Lenovo and HP, are doing research on thin client products using network cables to supply power. At present, Power over  
15 Ethernet (POE) is a popular way to reduce the terminal costs, operation costs and installation costs of a thin client. IEEE 802.3 AT and IEEE 802.3 AF are two standards of using Power over Ethernet (POE) in which IEEE 802.3 AT provides a standard of supplying a power of 15.4 watts (W) by each network cable port, while IEEE 802.3 AF provides a standard of supplying four grade powers of 4 W, 7 W, 15.4 W and 30 W by each network cable port.

20           In the current markets, the power supply capabilities of network cable power supply switches are different. Based on the load capacity of each network cable port, the network cable power supply switches can be classified into two categories, i.e., 15 W and 30 W, which are in accordance with the two standards IEEE 802.3 AF and AT respectively. The market price of a 30 W switch is high, and generally more than two times higher than the unit price of a single port  
25 15 W switch (the unit price being the price of the switch divided by the number of ports). Most of the network cable-powered thin client integrated machines (including a display and a thin client main board, and supplying power to peripheral devices, such as a printer) currently used for desktop computing follow the 30 W standard.

30           Fig. 1 illustrates a prior art power supply solution wherein a network cable is used to supply power to a thin client integrated machine. In the method shown in Fig. 1, the same network cable is used to carry out both data transmission and power supply to the thin client integrated machine. As described above, most of the current thin client integrated machines follow the 30 W standard. Therefore, the switch shown in Fig. 1 for supplying power to the thin client integrated machine must be a 30 W switch the price of which is more than two times higher than

the unit price of a single port 15 W switch. Such a high price of the switch has limited the use of the thin client integrated machines.

In an integrated machine using a thin client, a system rated power is required to be reserved according to peripheral device ports (for example, USB ports) to supply power to peripheral devices, such as a printer. As a result, the power quota which can be used by other devices would be decreased so that a larger size screen or a much faster CPU may not be used. While the possibility of using such peripheral devices is low, the reservation of rated power for peripheral devices would result in a low utilization rate of the power in the integrated machine as described above.

10

#### Summary of the Invention

The present invention provides the following technical solutions to solve the problem of low utilization rate of power as described above.

According to one aspect of the present invention, a power control device for the integrated machine comprising a thin client and a display is provided. Said device comprises a current detecting unit for detecting the current flowing through the port in the thin client connected to a peripheral device; a control signal generating unit for generating a control signal based on the intensity of the detected current to adjust the power consumption of the display and/or the thin client to maintain no increase in the power consumption of the integrated machine.

According to another aspect of the present invention, a thin client disposed in an integrated machine comprising the thin client and a display is provided. The thin client comprises the power control device as described above, and a display/thin client controller for controlling the power consumption of the display and/or the thin client using the control signal provided by the power control device.

According to another aspect of the present invention, an integrated machine comprising the thin client and the display as described above is provided.

According to yet another aspect of the present invention, a power control method for an integrated machine comprising a thin client and a display is provided. Said power control method comprises: detecting the current flowing through the port in the thin client connected to a peripheral device; and generating a control signal based on the intensity of the detected current to adjust the power consumption of the display and/or the thin client to maintain no increase in the power consumption of the integrated machine.

30

By using the power control device, the thin client, the integrated machine and the power control method as described above, the power consumption of the display can be adjusted so that the total power consumption of the integrated machine is kept stable thereby avoiding the low efficiency resulting from the power reservations for peripheral devices connected by a USB port.

5

### Brief Description of the Drawings

Fig. 1 is a schematic flow chart of a prior art power supply solution using a single network cable;

10 Fig. 2 is a network structure diagram of a thin client group using the present invention;

Fig. 3 is a schematic flow chart of a power supply solution using plurality of network cables according to the present invention;

Fig. 4 is a schematic flow chart of another power supply solution using plurality of network cables according to the present invention;

15 Fig. 5 is a schematic flow chart of the power supply module used in the power supply solution using plurality of network cables shown in Fig. 4;

Fig. 6 is a simplified schematic diagram of the connections of the power control device according to an embodiment of the present invention;

20 Fig. 7 is another simplified schematic diagram of the connections of the power control device according to an embodiment of the present invention wherein the inside modules of the power control device are shown;

Fig. 8 is a schematic diagram of a power control circuit of the present invention where the control signal is an analog control signal;

25 Fig. 9 is a schematic diagram of another power control circuit of the present invention where the control signal is a digital control signal;

Fig. 10 is a flow chart of a power control method according to an embodiment of the present invention.

30

### Detailed Description

Fig. 2 is a diagram of a network structure using a thin client group. As shown in Fig. 2, the system comprises a server group 210, a top level switch 220 connected to the server group 210, a second level switch 230 connected to the top level switch, a bottom level switch 240 disposed at

level N, terminals 260 preferably being a thin client integrated machine of the present invention, and a UPS 250 being a power source or a backup power source. In general, UPS 250 is disposed adjacent to the bottom level switch 240 such that terminals 260 are powered by UPS 250 via the bottom level switch 240. In actual applications, the network structure may only require one level of switch, i.e. the top level switch 220 is also the bottom level switch 240, and UPS 250 is connected to the top level switch 220. In some other cases, multi-level switches may be required. The present invention would not be limited to the network structure as illustrated.

As described above, the prior art uses one network cable to provide data and power to a thin client integrated machine (for example, terminals 260, as shown in Fig. 2). Currently, most of the thin client integrated machines follow the 30 W power supply standard. Therefore, this requires that the bottom level switch supplying power to the thin client integrated machine must be a 30 W switch, which is very expensive for certain applications. For solving this problem, as shown in Fig. 3 and Fig. 4, the present invention provides a solution for supplying power to the thin client integrated machine.

In the solution shown in Fig. 3, two network cables are used respectively to supply power to the thin client and display of the integrated machine. The network cable supplying power to the thin client provides the thin client with a required power when transmitting data, while the network cable supplying power to the display only provides the power as required and does not transmit any data. Such a structure is easy to carry out and does not require substantive alterations to the circuits of existing integrated machines.

In the solution shown in Fig. 4, two power supply network cables are connected into a power supply module where the powers from the two network cables are combined and then allocated according to the requirements of the thin client and the display. Compared with the solution shown in Fig. 3, a power combining circuit or a power combining device is required for the power supply module of the solution shown in Fig. 4, but a more flexible power allocation may be achieved.

Fig. 5 illustrates a schematic flow chart of the power supply module of the solution for supplying power shown in Fig. 4. For the purpose of clarity, devices and circuits, such as a voltage stabilizing circuit, a filter circuit and the like, which are not related to the functions described herein are omitted. However, in actual applications, such or other circuits or devices may be incorporated as required.

As shown in Fig. 5, network cable 1 is a network cable carrying both a power and data, while network cable 2 is a network cable only carrying a power. The network cable 1 transmits data to the thin client and supply power to the power combining unit 510. In this case, transmissions via different core line pairs of the network cable may be used to effect the separation of the data and the power. The power combining unit 510 combines the powers from the network cable 1 and network cable 2 to obtain a total power which will be allocated by a power allocation unit 520 according to the actual requirements of the thin client and display.

In another embodiment of the present invention, a thin client integrated machine may be a 30 W standard thin client integrated machine where the network cable 1 and network cable 2 each may carry a 15 W power. However, in other embodiments, a thin client integrated machine may require much more or less power, and the power supply of the thin client integrated machine may be carried out using much more network cables. In some embodiments, the powers carried by the network cable 1 and network cable 2 may be different. Although only one network cable carrying power and data is shown in Fig. 4 and Fig. 5, more network cables or even all of the network cables may carry both power and data. To a person of ordinary skill in the art, this would be understood and able to be carried out according to the enlightenment of the embodiments described herein.

In prior art, as the thin client may be connected to peripheral devices, such as a printer, a power for such peripheral devices is required to be reserved such that the peripheral devices can be normally used when the power consumption of the thin client per se is up to the peak. For example, in an example using an USB port, if the USB port consumes a power of 2.5 W, then the client would need to reserve a power of at least 2.5 W for the USB port. If the number of USB ports increases, more power reservations would be needed. However, as mentioned earlier, the possibility of using high power-consuming peripheral devices would be not high, thus such power reservations for peripheral devices would result in waste of power.

To address this problem, the present invention provides a solution wherein the power reservations for peripheral devices become unnecessary. The solution can monitor the current flowing through the port connecting the thin client and the peripheral devices, and adjust the power consumption of the display and/or the thin client by making the display darker or decreasing the power consumption of the components, such as the CPU, of the thin client (for example, by decreasing the number of running programs in the thin client, or lowering the frequency of the CPU).

In an embodiment of the present invention, as shown in Fig. 6, a power control device 642 is disposed in a peripheral device port 640 of the thin client. In Fig. 6, by monitoring the current flowing through the peripheral device port 640, the power control device 642 would generate a control signal including the load information of the peripheral device port and send the control signal to the display/thin client controller 650. The display/thin client controller 650 would control the power consumption of the display/thin client based on the control signal such that the power consumption of the display/thin client would decrease as the peripheral device port load increases. Fig. 6 also shows a south bridge chip 610 and a north bridge chip 620, which can be used respectively for the control of the peripheral device port 610 and the display/thin client controller 650.

Fig. 7 shows a schematic structure flow chart of the connection of the power control device 642 and the peripheral device port. In Fig. 7, a current detecting unit 712 of the power control device 642 detects the current flowing through the peripheral device port 720. In a particular embodiment, the current flow to be detected is the current flowing through the power supply pins of the peripheral device port 720 (for example, the power supply pins of a USB port). When the peripheral device controller 730 (for example, a USB controller) is inserted into a peripheral device connection 640 of a thin client and the peripheral device is started, a current will be generated at the peripheral device port 720 due to power consumption. The current detecting unit 712 detects the current and the control signal generating unit 714 will generate a control signal to be used by a display/thin client controller 650. Said control signal may be an analog control signal or a digital control signal.

For the purpose of easier description, the following description will be directed to cases where the peripheral device ports are USB ports and the power consumption of the displays will be decreased. However, the peripheral device ports of the embodiments of the present invention would not be limited to USB ports, and the power consumption to be decreased would not be limited to the power consumption of displays.

Fig. 8 shows a particular circuit of the power control device 642 in cases where the control signal is an analog control signal. In Fig. 8, a current detecting resistance is used to effect the power detecting unit 712 and an operational amplifier is used to effect the control signal generating unit 714. In an embodiment of the present invention, the current detecting resistance is 2 ohms ( $\Omega$ ). As shown in Fig. 8, the current flowing through the power supply pins of the peripheral device port (a USB port) generates a voltage drop of from 0 to 1 volt on the current

detecting resistance. The voltage drop is amplified by an operational amplifier to from 0 to 5 volts. In the embodiment as shown in Fig. 8, the control signal generated by the control signal generating unit 714 is an analog voltage output by the operational amplifier. The display controller 630 can use said analog voltage as an analog light modulation signal to effect direct control of the brightness of the display. For example, when the output analog voltage is 5 volts, the brightness of the display will be modulated to the darkest; when the output analog voltage is 0 volt, the display will be modulated to the brightest. Of course, the relationship between the output voltage and display brightness would not be limited to the description of the embodiments herein, other control methods which can be contemplated by a person of ordinary skill in the art may also be used. In the embodiments where the display is a liquid crystal display (LED), the display controller 630 may also be a backlit control unit disposed at the LED display.

It should be understood that the particular circuits as shown in Fig. 8 are illustrative only but not for limiting. For example, in the circuits as shown in Fig. 8, the  $R_f/R_{in}$  value can be taken as 5. However, the  $R_f/R_{in}$  value can also be taken as different respective values in other useful connections of the operational amplifiers known to a person of ordinary skill in the art. Additionally, the capacitance of Fig. 8 can also be other values, or a capacitor group consisting of a plurality of capacitors. Even other types of amplifiers or amplifier groups may be used to carry out the functions of the operational amplifier shown in Fig. 8. This would be achievable to a person of ordinary skill in the art according to the embodiments described herein.

When the control signal is a digital control signal, the control signal generating unit 714 is required to transform the voltage drop generated on the current detecting unit (for example, a current detecting resistance) to a digital form. In an embodiment of the present invention, the control signal generating unit 714 may include an amplifier, an analog to digital converter and a pulse width modulation signal generating circuit. The analog voltage drop generating on the current detecting resistance is amplified by the amplifier and the amplified voltage drop is converted by the analog to digital converter and the voltage drop is output in a digital representation. The pulse width modulation signal generating circuit generates a pulse width modulation signal (PWM) in accordance with the digital representation. The pulse width modulation signal is used by the display controller 630 (for example, the control chip of a LED) to effect PWM lighting adjustment of the display. Particular methods of PWM lighting adjustment are known in the art and thus would not be discussed further.

Fig. 9 shows a particular circuit of the power control device 642 where the control signal is a digital control signal. In the embodiment shown in Fig. 9, a current detecting resistance is used to effect the current detecting unit 712. In an example of the present invention, the current detecting resistance is taken as 10 milliohms ( $m\Omega$ ). In the particular circuit shown in Fig. 9, the amplifier is differential amplifier MAX4070 (available from MAXIM Integrated Products, Inc).  
5 The voltage drop generated on the current detecting resistance by the current flowing through the USB port is amplified as a differential voltage by the differential amplifier MAX4070 and sent to an analog to digital converter, such as analog to digital converter PCF 8591 (available from Phillips Semiconductors). The input differential voltage is converted to a digital representation  
10 of the voltage drop generated on the current detecting resistance by the analog digital to converter PCF 8591, and modulated to a pulse width modulation signal by a pulse width modulation signal generating circuit (for example, a MCU) disposed at the MC 51 direct insert type base to effect the PWM lighting modulation of the display.

Similarly, it should be understood that the particular circuits shown in Fig. 9 are illustrative  
15 only but not for limiting. In the circuits shown in Fig. 9, the amplifier, the analog to digital converter and the pulse width modulation signal generating circuit would not be limited to the chip models as used, or the types used in the circuits shown in Fig. 9. For example, a non-differential amplifier may also be used as the amplifier of the present invention. In cases that chips different from those shown in Fig. 9 are used, the elements, or even the connections of the  
20 chips and elements may also change accordingly. For example, an external circuit may be used to provide a clock signal, thus the crystal oscillator as shown in Fig. 9 would be unnecessary. In some embodiments of the present invention, more or less chips may be used to effect the functions of the chips in the embodiment shown in Fig. 9.

In the examples of the present invention as described above, a USB port is taken as an  
25 example for the peripheral device ports. However, it is for the purpose of easier description only. It should be understood, to a person of ordinary skill in the art, that any type of peripheral device port may be used in the present invention, as long as the current detecting unit (for example, a current detecting resistance) is changed from being in series connection with the power supply pins of the USB port to being in series connection with the power supply pins of  
30 another type of peripheral device port.

In other embodiments of the present invention, the power consumption of the display may not be controlled but instead the power consumption of the thin client is to be controlled. In

such cases, the control signal to be used for controlling the power consumption of the thin client would also related to the current at the peripheral device port. The only differences are that the control is directed to a particular component and the type of the control signal would change. For example, in cases where the frequency of the CPU of the thin client is to be reduced, the control signal may be in a form which is adapted to the control of the CPU frequency. Particular examples may include arranging devices or circuits to be used to change the type of the control signal after the operational amplifier shown in Fig. 8 or the MCU shown in Fig. 9. Alternatively, the operational amplifier shown in Fig. 8 may be replaced by circuits suitable for generating control signals for particular components, or one or more of the amplifier, analog to digital converter and MCU are replaced by suitable circuits. Such additions or replacements would be easy to a person of ordinary skill in the art over the teachings or enlightenments of the embodiments disclosed herein.

In some embodiments of the present invention, the power consumption of both the display and thin client may be controlled. In such cases, a controller, such as a MCU, may be used to allocate the sequence as to which one of the display and the thin client is to be used first to decrease the power consumption or the proportion of the display and thin client in decreasing power consumption, and generate respective control signals. The ways as described above may be used to generate respective power control signals for the display and the thin client, but other ways well known to a person of ordinary skill in the art may also be used.

Fig. 10 shows a flow chart of a power control method according to the present invention. This method is used in a thin client integrated machine. In step 1010, the current flowing through the peripheral device port connected to a peripheral device in the thin client is detected. This step may be carried out by a resistance which is placed in series connection with the power supply pins. In step 1020, a control signal would be generated based on the current detected. In another particular example, a control signal would be generated based on the voltage drop generated on the current detecting resistance by the current detected. In step 1030, said control signal would be used to control the power consumption of the thin client integrated machine so that the total power consumption of the same would not be increased.

When the power consumption of the display is adjusted to have the total power consumption of the thin client integrated machine not increase, the control signal generated in step 1020 may be an analog control signal or a digital control signal. In case that the control signal is an analog control signal, the control signal may be generated by amplification of the voltage drop

generated on the current detecting resistance by the current flowing therethrough using an operational amplifier. The amplified voltage drop may be used directly by a display controller, such as a backlit control unit of the display to effect an analog lighting modulation.

5 The control signal generated in step 1020 may also be a digital control signal. In such cases, the voltage drop generated on the current detecting resistance would be amplified by an amplifier. The output of the amplifier would be sent to an analog to digital converter to convert the same to a digital signal. A pulse width modulation signal generating circuit, such as a MCU, would generate a pulse width modulation signal based on said digital signal, which would be used by the control circuit of a display, such as a LCD display, to control the brightness of the  
10 the same to effect PWM lighting modulation.

As described above, the power consumption of the thin client integrated machine may also be maintained no increase by adjusting the power consumption of the thin client (for example, the components included therein). In such cases, the control signal may just be changed to a signal which is adapted to the adjustment of particular components. But any way, the control  
15 signal would be correspond to the current at the peripheral device port.

Although various embodiments have been shown, it should be understood that the present invention should not be restricted to the above embodiments and particular circuits. Any apparent changes to the above embodiments under the teachings and enlightenments of the present invention should be considered being within the scope of the present invention.  
20

What is claimed is:

1. A power control device for an integrated machine comprising a thin client and a display, comprising:

5 a current detecting unit for detecting the current flowing through a port in the thin client connected to the peripheral device; and

a control signal generating unit for generating a control signal based on the intensity of the detected current to adjust the power consumption of the display and/or the thin client to maintain no increase in the power consumption of the integrated machine.

10

2. The power control device according to claim 1, wherein the current detecting unit comprises a current detecting resistance being in series connection with power supply pins of the peripheral device port.

15

3. The power control device according to claim 2, wherein in case that the power consumption of the integrated machine is maintained no increase by adjusting the power consumption of the display, said control signal generating unit comprises an operational amplifier to be used to amplify the voltage drop generated on the current detecting resistance by the current flowing through the peripheral device port; said control signal comprises the signal amplified by the operational amplifier and is used by a backlit control unit to effect an analog light modulation.

20

4. The power control device according to claim 2, wherein in case that the power consumption of the integrated machine is maintained no increase by adjusting the power consumption of the display, said control signal generating unit comprises:

25

an amplifier to be used to amplify the voltage drop generated on the current detecting resistance by the current flowing through the peripheral device port;

an analog to digital converter to be used to convert the amplified voltage drop to a digital representation of the voltage drop; and

30

a pulse width modulation signal generating circuit to be used to generate a pulse width modulation signal in accordance with the digital representation, the pulse width modulation signal is used by a display controller to effect pulse width modulation lighting adjustment of the display.

5. The power control device according to claim 4, wherein the amplifier is a differential amplifier.

5 6 The power control device according to claim 4, wherein the pulse width modulation signal generating circuit is a MCU.

7. The power control device according to any one of claims 1-6, wherein the peripheral device port is a USB port.

10

8. A thin client disposed in an integrated machine comprising the thin client and a display, said thin client comprising: a power control device of any one of claims 1-7; and a display/thin client controller to be used to control the power consumption of the display and/or the thin client using the control signal provided by the power control device.

15

9. A thin client integrated machine, comprising the thin client according to claim 8 and a display.

10. A power control method for an integrated machine comprising a thin client and a display, said power control method comprising:

20

detecting the current flowing through a port in the thin client connected to a peripheral device, and

generating a control signal based on the intensity of the detected current to adjust the power consumption of the display and/or the thin client to maintain no increase in the power consumption of the integrated machine.

25

11. The power control method according to claim 10, wherein a current detecting resistance is used to detect the current flowing through the port in the thin client connected to the peripheral device.

30

12. The power control method according to claim 11, wherein in case that the power consumption of the integrated machine is maintained no increase by adjusting the power consumption of the display, said generating a control signal comprising: amplifying the

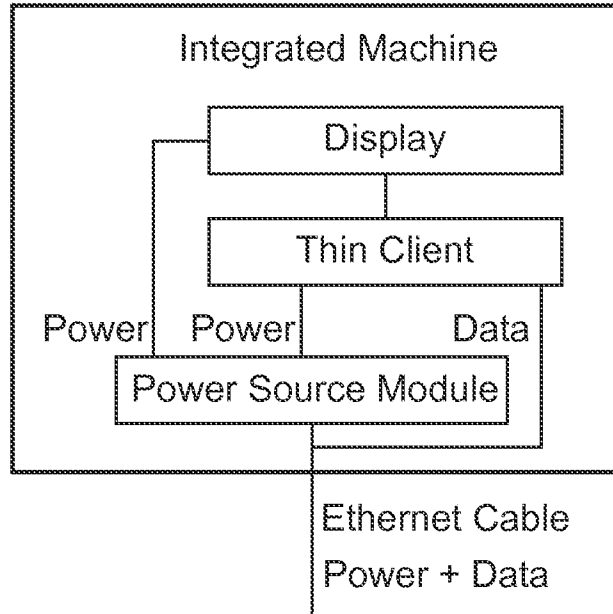
voltage drop generated on the current detecting resistance by the current flowing through the peripheral device port to generate an analog light modulation signal to be used by a backlit control unit of the display.

5 13. The power control method according to claim 11, wherein in case that the power consumption of the integrated machine is maintained no increase by adjusting the power consumption of the display, said generating a control signal comprising:

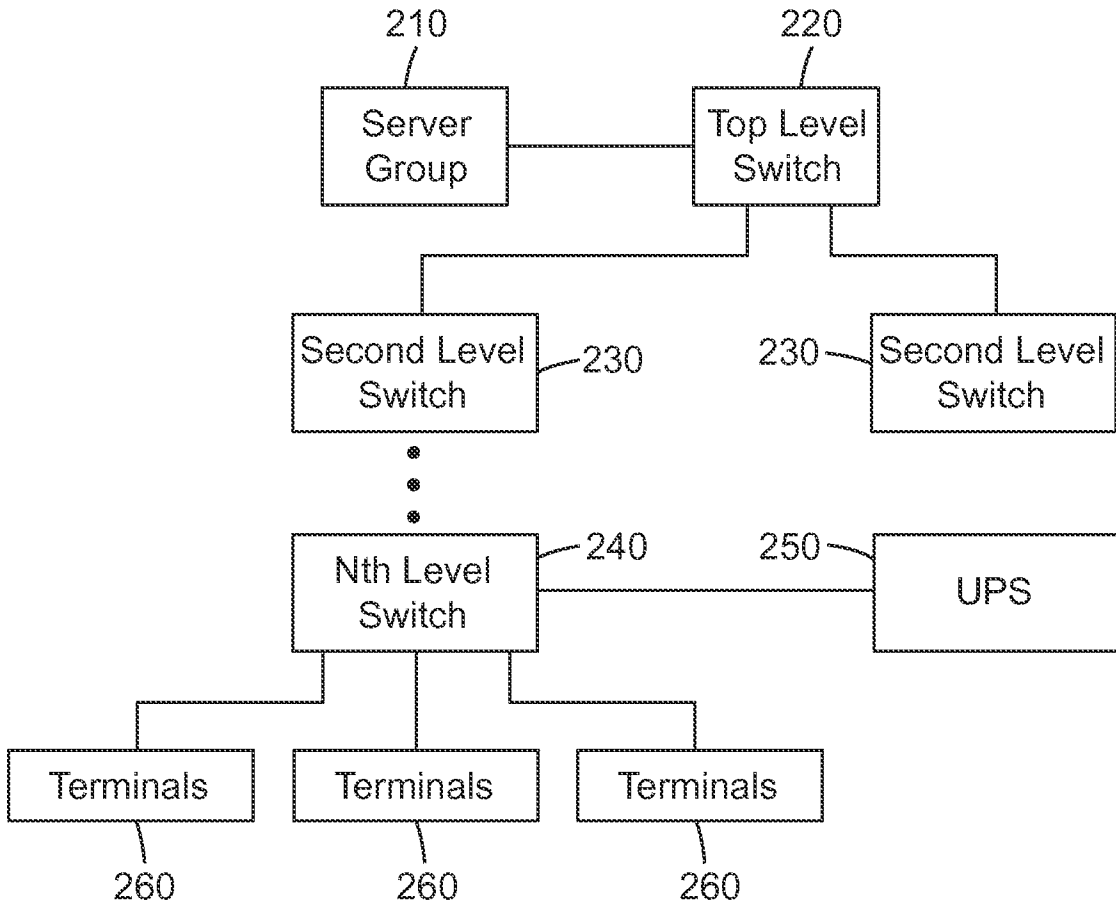
amplifying the voltage drop generated on the current detecting resistance by the current flowing through the peripheral device port;

10 converting the amplified voltage drop to a digital representation of the voltage drop; and  
generating a pulse width modulation signal in accordance with the digital representation of the voltage drop, the pulse width modulation signal is used by a display controller to effect pulse width modulation lighting adjustment of the display.

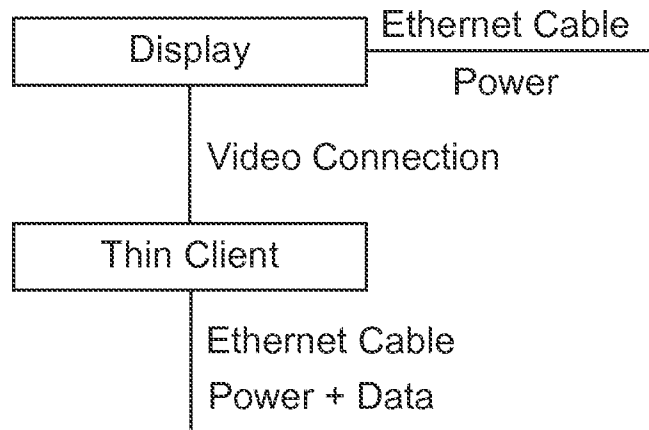
15 14. The power control method according to any one of claims 10-13, wherein the peripheral device port is a USB port.



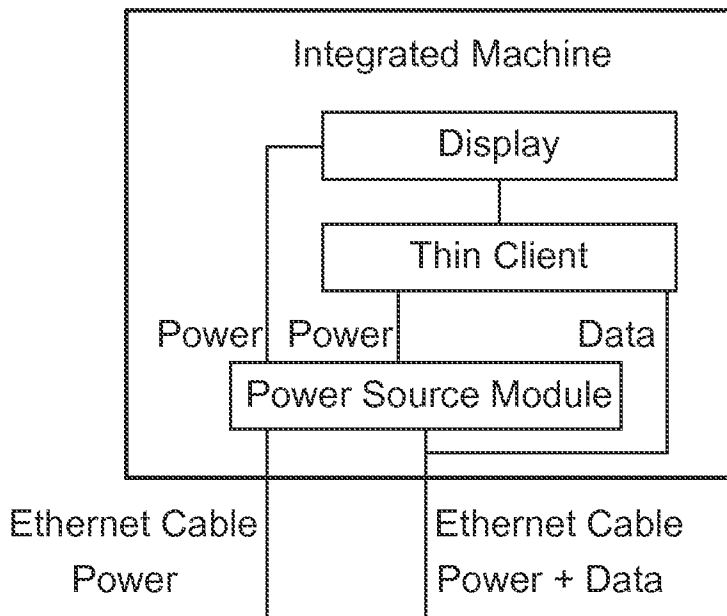
*Fig. 1*



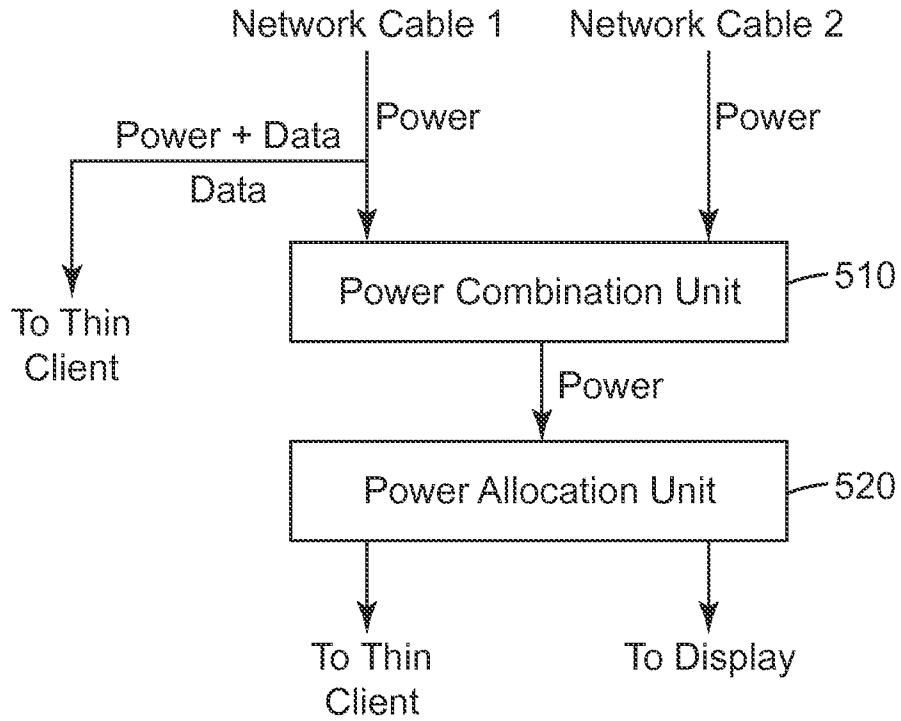
*Fig. 2*



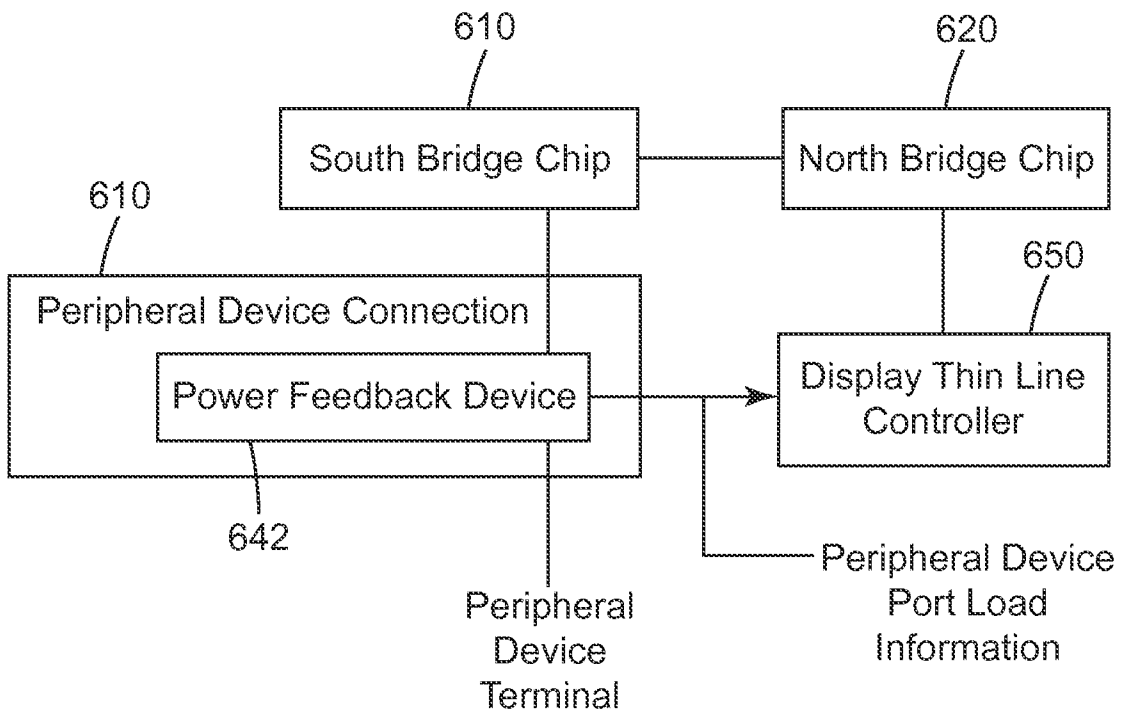
*Fig. 3*



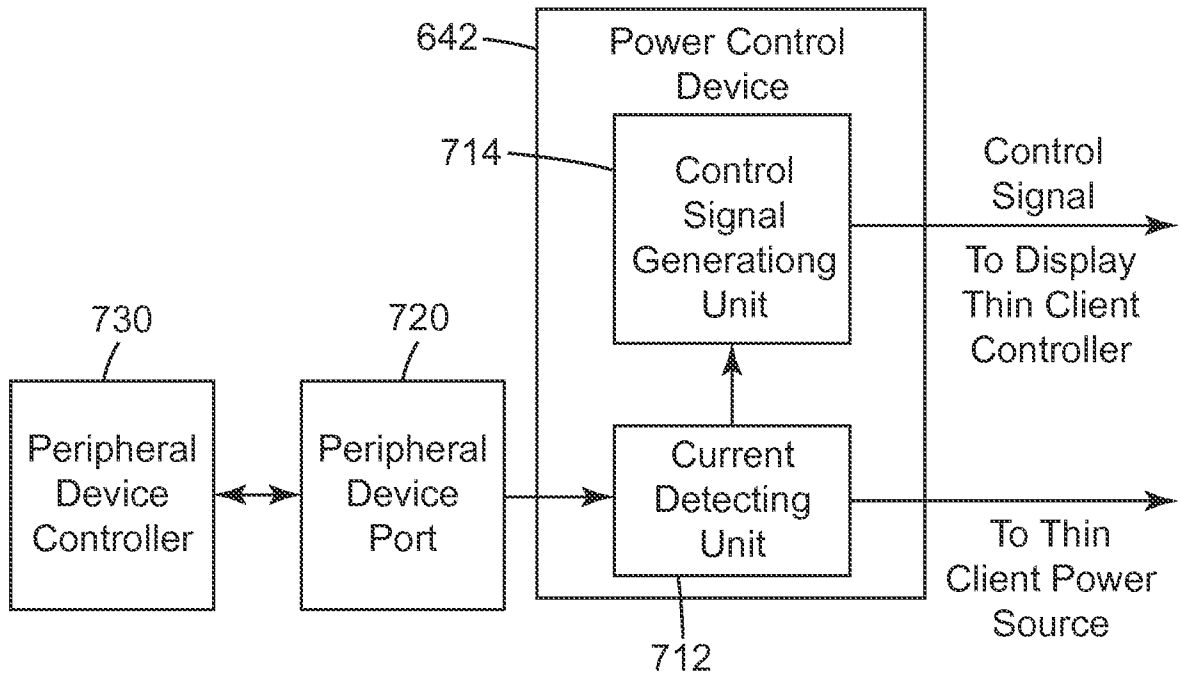
*Fig. 4*



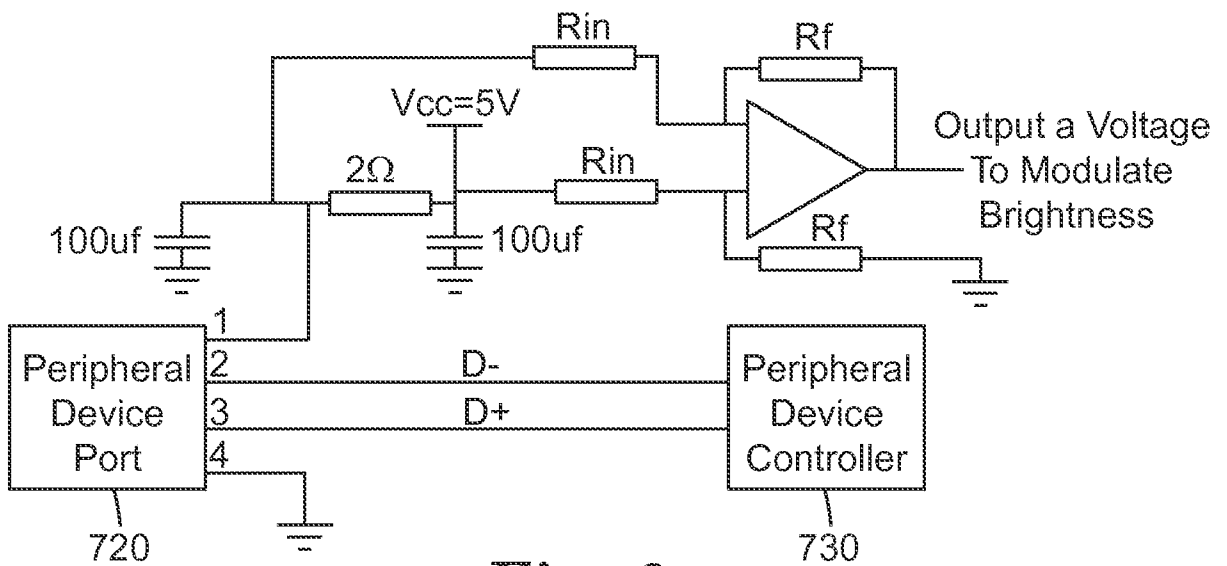
*Fig. 5*



*Fig. 6*



*Fig. 7*



*Fig. 8*

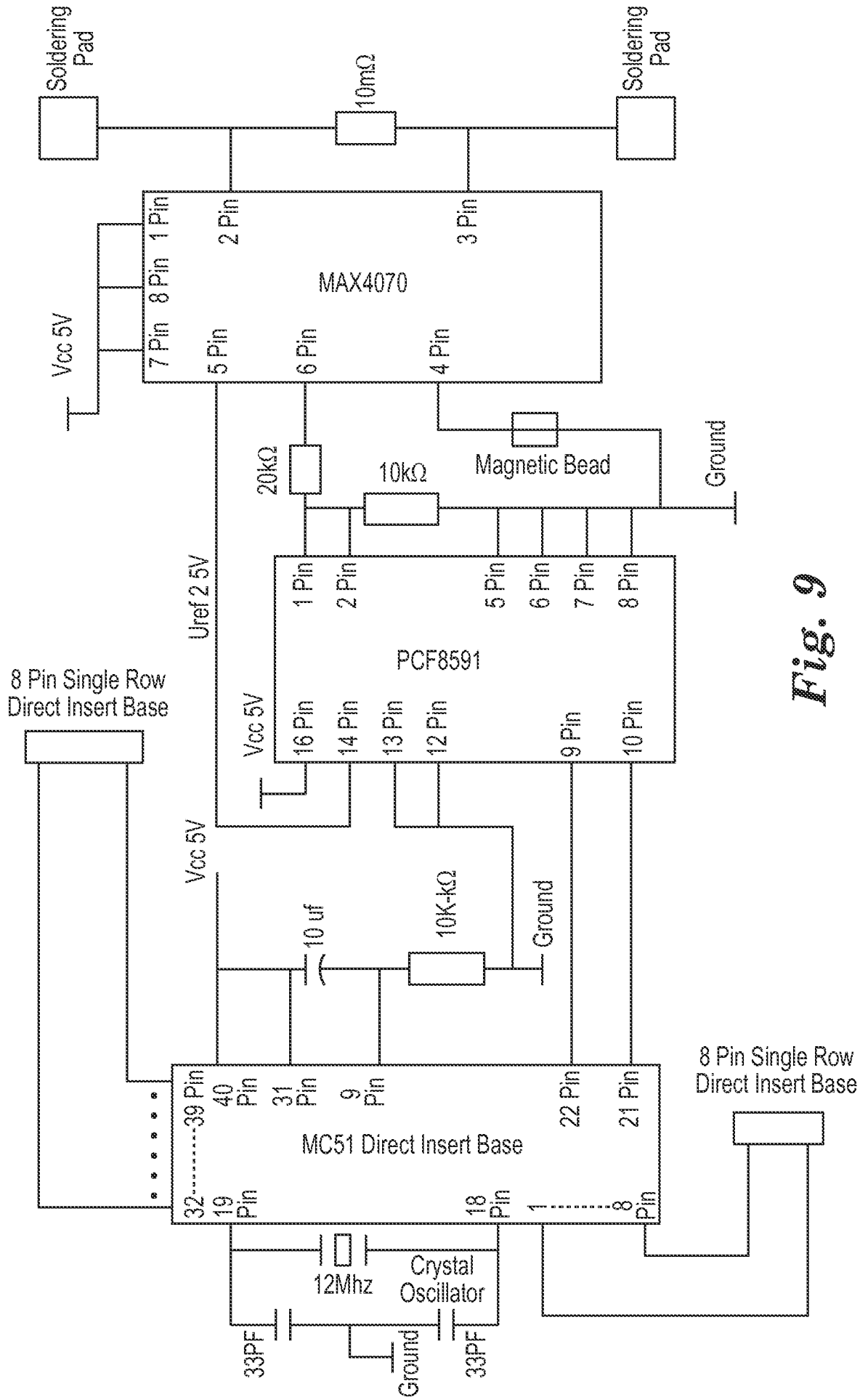
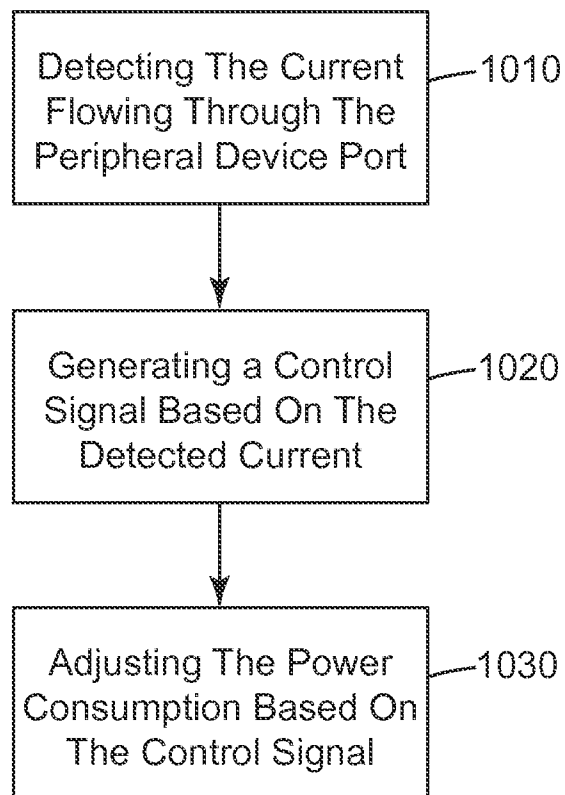


Fig. 9



*Fig. 10*

INTERNATIONAL SEARCH REPORT

International application No  
PCT/US2012/045337

A. CLASSIFICATION OF SUBJECT MATTER  
INV. G06F1/32  
ADD.

According to International Patent Classification (IPC) or to both national classification and IPC

B. FIELDS SEARCHED

Minimum documentation searched (classification system followed by classification symbols)  
G06F

Documentation searched other than minimum documentation to the extent that such documents are included in the fields searched

Electronic data base consulted during the international search (name of data base and, where practicable, search terms used)

EPO-Internal

C. DOCUMENTS CONSIDERED TO BE RELEVANT

Category*	Citation of document, with indication, where appropriate, of the relevant passages	Relevant to claim No.
X	EP 1 099 999 A2 (FUJITSU LTD [JP]) 16 May 2001 (2001-05-16) the whole document	1-14
X	US 2005/182986 A1 (ANDERSON JASON M [US] ET AL ANDERSON JASON MICHAEL [US] ET AL) 18 August 2005 (2005-08-18) the whole document	1-14
A	WO 2007/024396 A1 (APPLE COMPUTER [US]; CONROY DAVID G [US]; COX KEITH ALAN [US]; CULBERT) 1 March 2007 (2007-03-01) paragraph [0148] - paragraph [0172]	1,4,7, 10,14
A	US 2001/044332 A1 (YAMADA HIROSHI [JP] ET AL) 22 November 2001 (2001-11-22) the whole document	1,10

Further documents are listed in the continuation of Box C.

See patent family annex.

\* Special categories of cited documents :

"A" document defining the general state of the art which is not considered to be of particular relevance

"E" earlier application or patent but published on or after the international filing date

"L" document which may throw doubts on priority claim(s) or which is cited to establish the publication date of another citation or other special reason (as specified)

"O" document referring to an oral disclosure, use, exhibition or other means

"P" document published prior to the international filing date but later than the priority date claimed

"T" later document published after the international filing date or priority date and not in conflict with the application but cited to understand the principle or theory underlying the invention

"X" document of particular relevance; the claimed invention cannot be considered novel or cannot be considered to involve an inventive step when the document is taken alone

"Y" document of particular relevance; the claimed invention cannot be considered to involve an inventive step when the document is combined with one or more other such documents, such combination being obvious to a person skilled in the art

"&" document member of the same patent family

Date of the actual completion of the international search	Date of mailing of the international search report
17 September 2012	26/09/2012

Name and mailing address of the ISA/ European Patent Office, P.B. 5818 Patentlaan 2 NL - 2280 HV Rijswijk Tel. (+31-70) 340-2040, Fax: (+31-70) 340-3016	Authorized officer  Alonso Nogueiro, M
--	--

# INTERNATIONAL SEARCH REPORT

Information on patent family members

International application No

PCT/US2012/045337

Patent document cited in search report	Publication date	Patent family member(s)	Publication date
EP 1099999	A2	16-05-2001	EP 1099999 A2 16-05-2001
			JP 2001134348 A 18-05-2001
			US 6748547 B1 08-06-2004
-----			
US 2005182986	A1	18-08-2005	NONE
-----			
WO 2007024396	A1	01-03-2007	US 2007049133 A1 01-03-2007
			US 2007049134 A1 01-03-2007
			US 2007050646 A1 01-03-2007
			US 2007050650 A1 01-03-2007
			US 2009276651 A1 05-11-2009
			US 2011001358 A1 06-01-2011
			US 2011060932 A1 10-03-2011
			WO 2007024396 A1 01-03-2007
-----			
US 2001044332	A1	22-11-2001	JP 3438135 B2 18-08-2003
			JP 2001331244 A 30-11-2001
			US 2001044332 A1 22-11-2001
-----			