



US00D819562S

(12) **United States Design Patent**
Waldron

(10) **Patent No.:** **US D819,562 S**
(45) **Date of Patent:** **** Jun. 5, 2018**

- (54) **BATTERY PACK**
- (71) Applicant: **7RDD Limited**, North Yorkshire (GB)
- (72) Inventor: **Michael Waldron**, Yorkshire (GB)
- (73) Assignee: **7RDD Limited**, Dunnington (GB)
- (**) Term: **15 Years**
- (21) Appl. No.: **29/596,580**
- (22) Filed: **Mar. 9, 2017**
- (51) **LOC (11) Cl.** **13-02**
- (52) **U.S. Cl.**
USPC **D13/103**
- (58) **Field of Classification Search**
USPC D13/102-104, 110, 118-121, 184, 199,
D13/107, 108; D14/356, 432; D20/27,
D20/22
CPC Y02E 60/12; Y02E 60/122; Y02E 60/124;
Y02E 60/50; H01M 10/4257; H01M
10/0436; H01M 10/48; H01M 10/44;
H01M 10/46; H01M 10/482; H01M
10/465; H01M 2/02; H01M 2/022; H01M
2/0202; H01M 2/0207; H01M 2/0212;
H01M 2/1061; H01M 2/1022; H01M
2/1055; H01M 2/1066; H01M 2/105;
H01M 2/204; H02J 7/00; H02J 7/0003;
H02J 7/0011; H02J 7/0013; H02J 7/0054;
H02J 7/0055; H02J 7/0057; H02J
2007/0062
See application file for complete search history.

(56) **References Cited**

U.S. PATENT DOCUMENTS

- D481,672 S * 11/2003 Niwa D13/103
- D516,504 S * 3/2006 Okuda D13/103
- D545,759 S * 7/2007 Ino D13/103
- D550,152 S * 9/2007 Okuda D13/103
- D568,239 S * 5/2008 Okada D13/103

- D589,441 S * 3/2009 Van Wambeke D13/103
- D597,931 S * 8/2009 Aglassinger D13/103
- D597,933 S * 8/2009 Aglassinger D13/103
- D597,935 S * 8/2009 Aglassinger D13/103
- D598,373 S * 8/2009 Aglassinger D13/103
- D604,694 S * 11/2009 Aglassinger D13/103
- D604,695 S * 11/2009 Aglassinger D13/103
- D622,661 S * 8/2010 Yamada D13/103
- D639,730 S * 6/2011 Kawase D13/103
- D640,190 S * 6/2011 Aglassinger D13/103
- D640,628 S * 6/2011 Lopano D13/103
- D640,975 S * 7/2011 Okuda D13/103
- D643,809 S * 8/2011 Okuda D13/103
- D658,578 S * 5/2012 Davis D13/103
- D682,192 S * 5/2013 Corbin D13/103
- D682,193 S * 5/2013 Corbin D13/103
- D682,194 S * 5/2013 Jiang D13/103
- D684,528 S * 6/2013 Murray D13/103
- D685,730 S * 7/2013 Hamm D13/103

(Continued)

Primary Examiner — Rosemary K Tarcza
Assistant Examiner — Christy M Nemeth
(74) *Attorney, Agent, or Firm* — Woodard Emhardt
Moriarty McNett & Henry LLP

(57) **CLAIM**

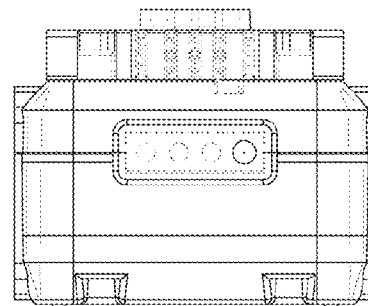
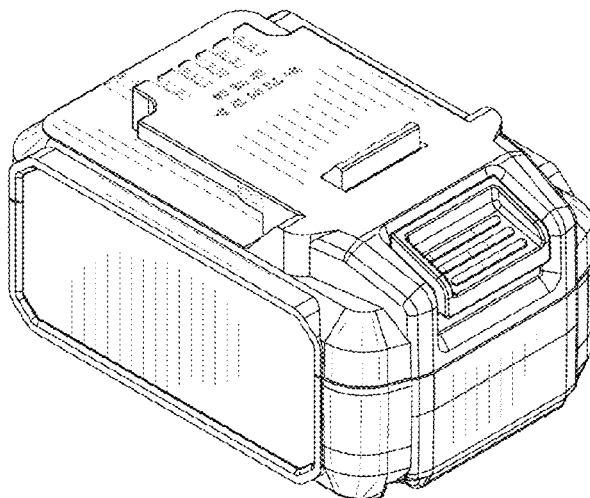
The ornamental design for a battery pack, as shown and described.

DESCRIPTION

FIG. 1 is a perspective view of a battery pack showing my new design;
FIG. 2 is a left side view thereof;
FIG. 3 is a right side view thereof;
FIG. 4 is a front view thereof;
FIG. 5 is a rear view thereof;
FIG. 6 is a top view; and,
FIG. 7 is a bottom view thereof.

The broken lines in the drawings are for the purpose of illustrating portions of the battery pack that form no part of the claimed design.

1 Claim, 4 Drawing Sheets



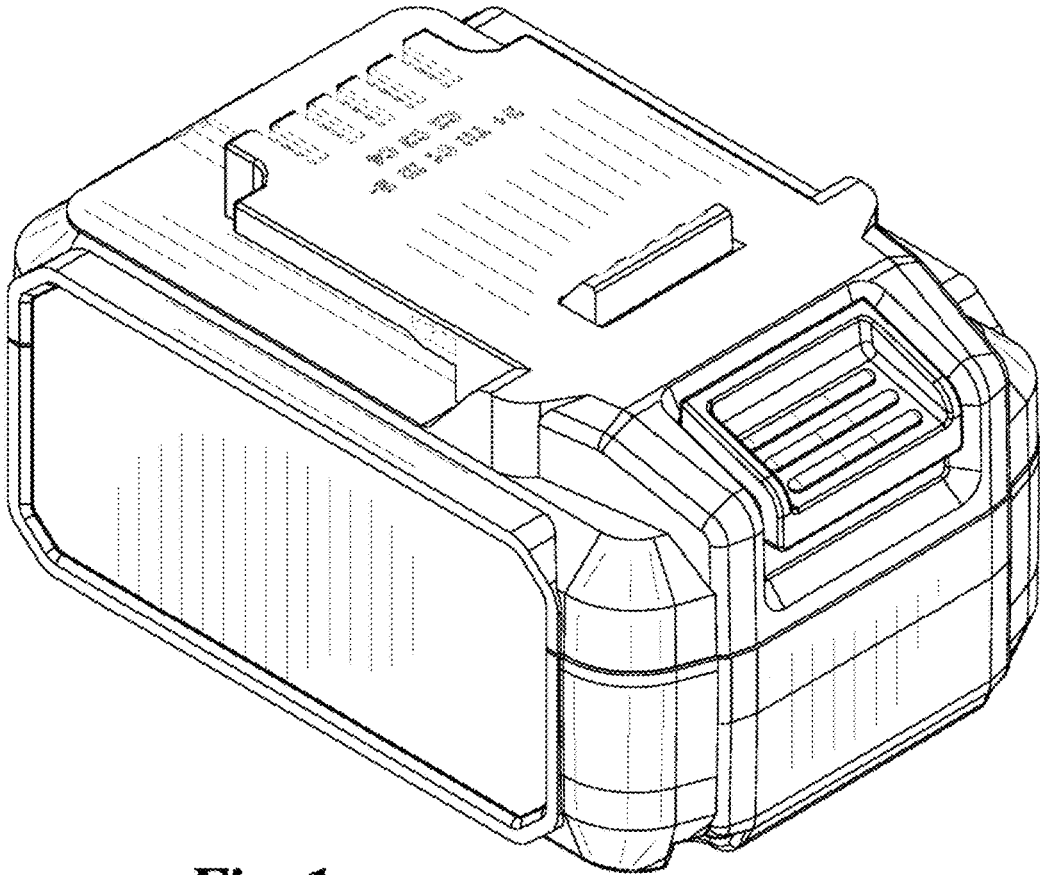


Fig. 1

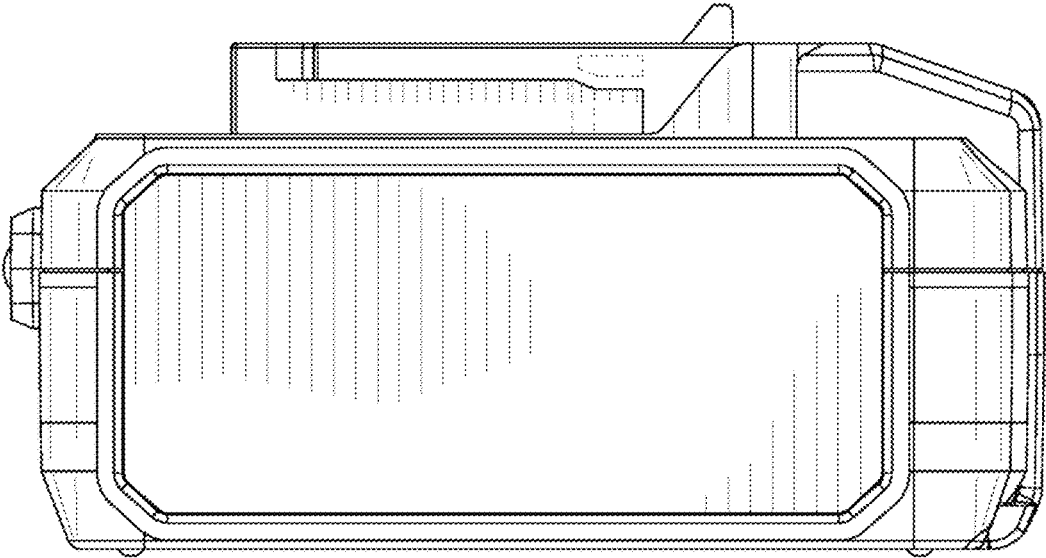


Fig. 2

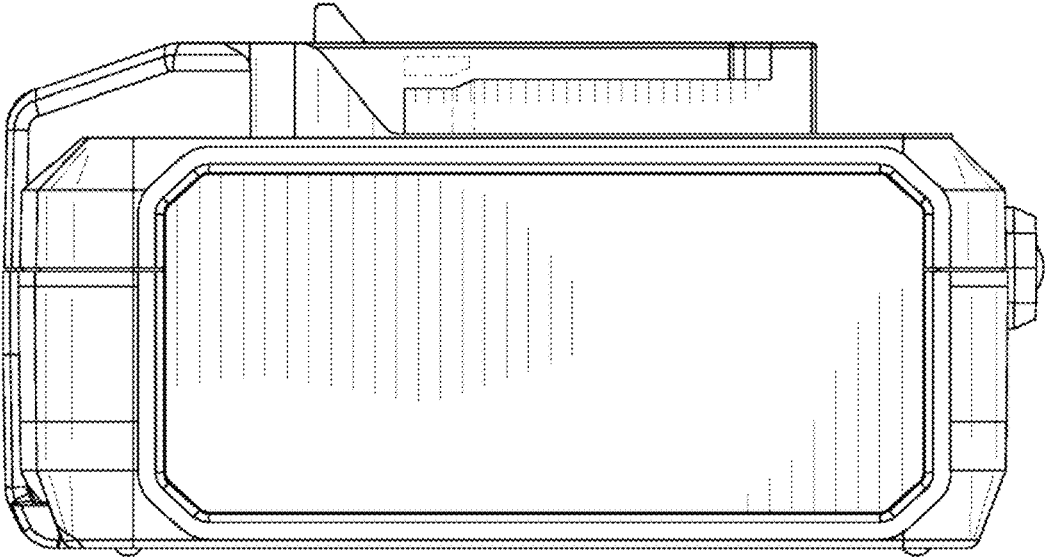


Fig. 3

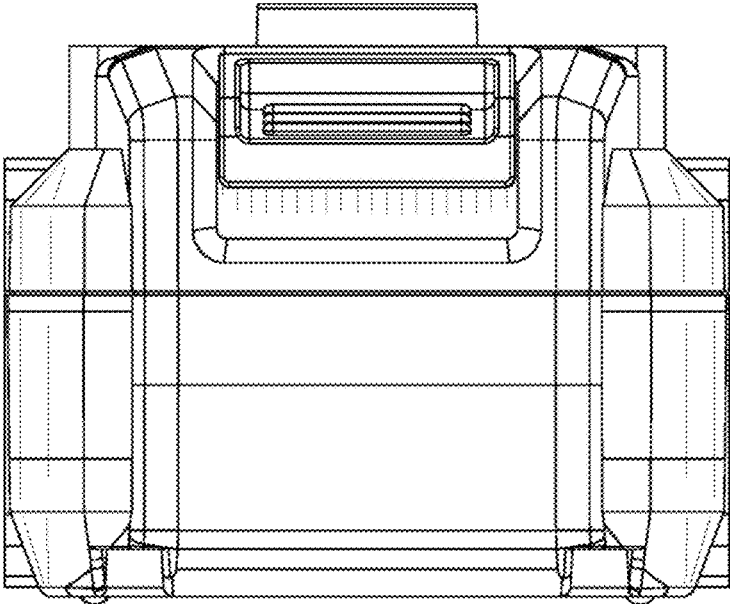


Fig. 4

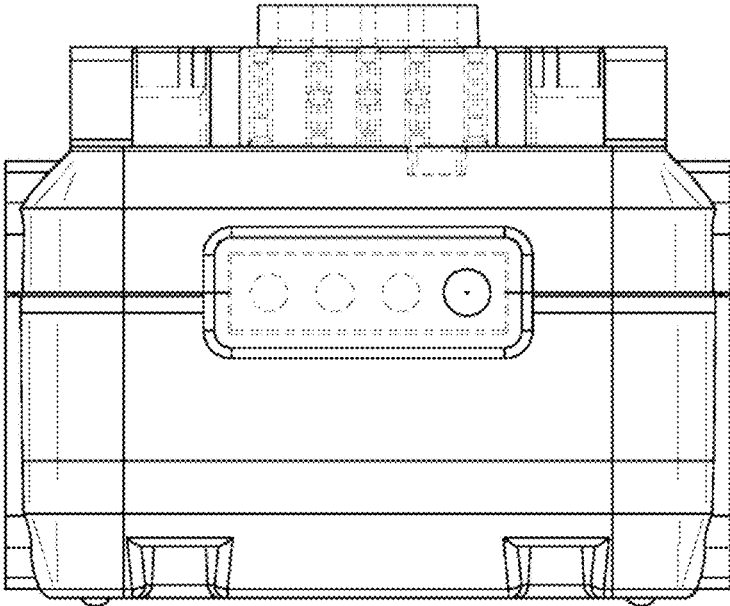


Fig. 5

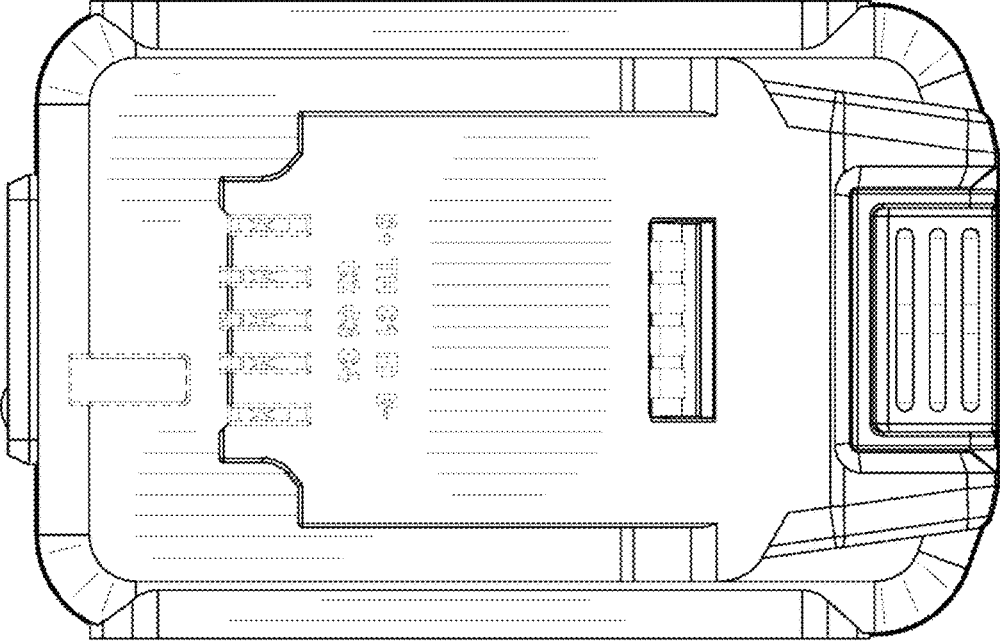


Fig. 6

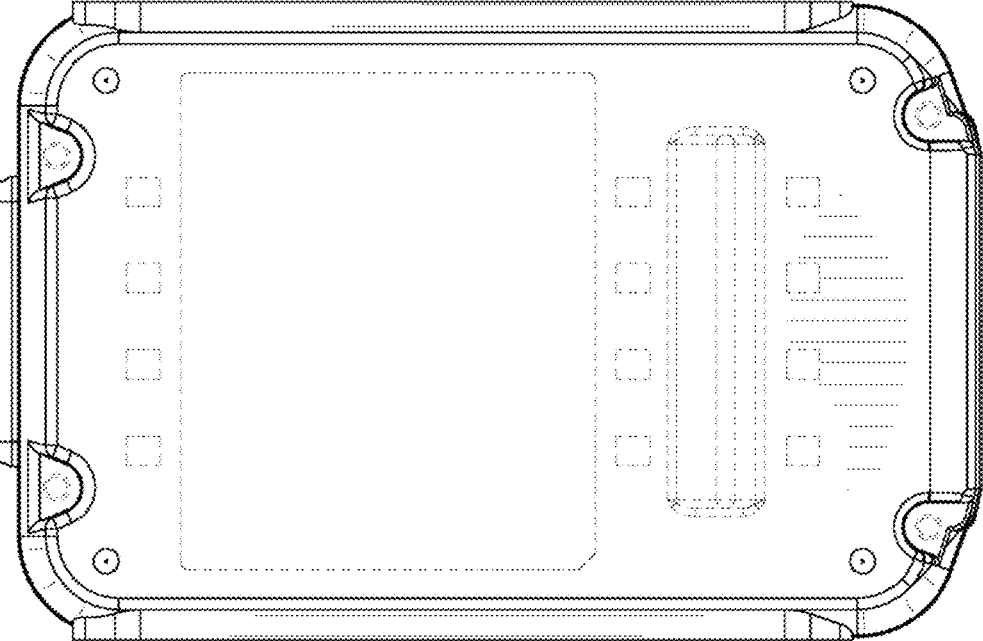


Fig. 7