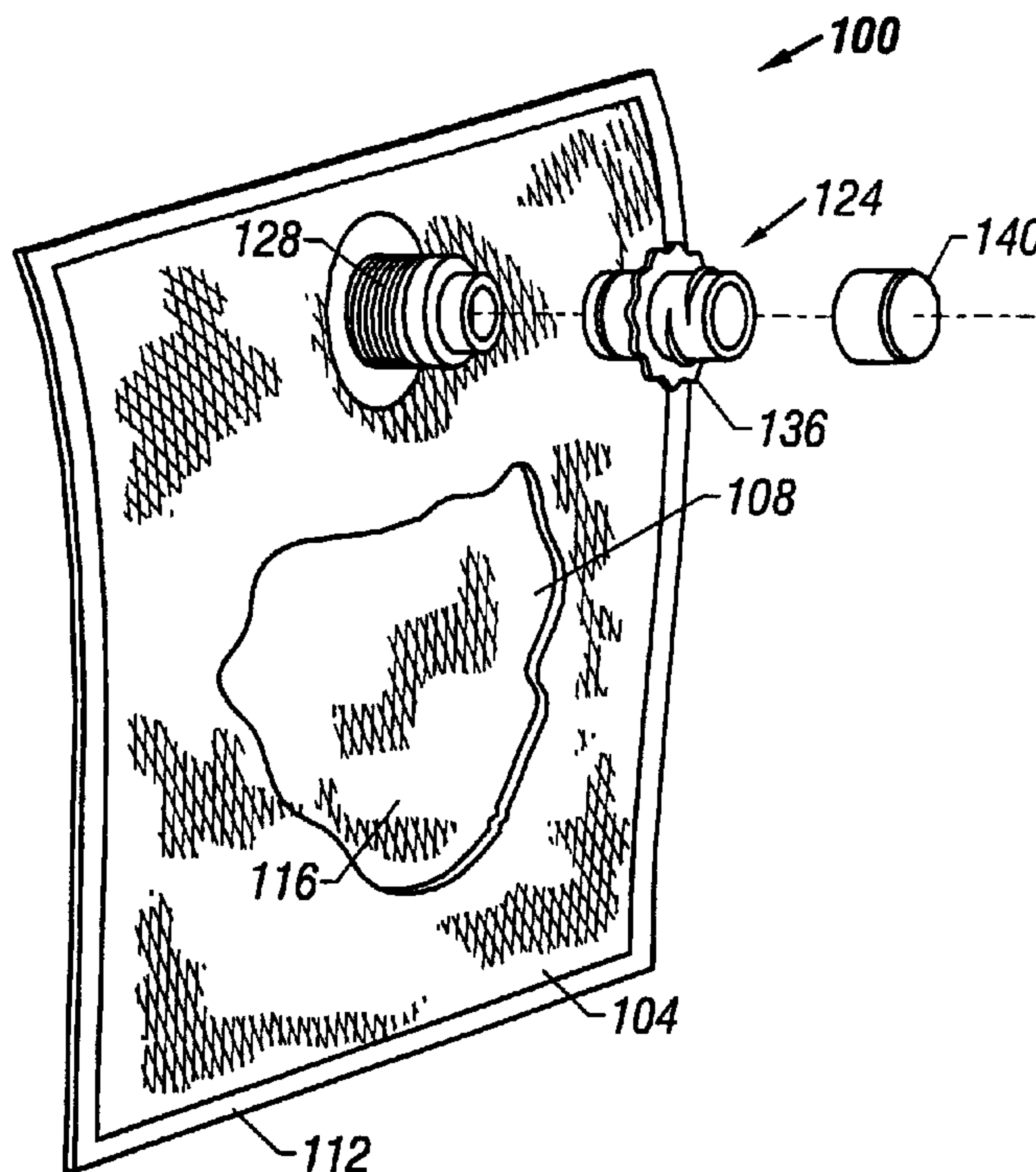




(86) Date de dépôt PCT/PCT Filing Date: 2000/11/10
 (87) Date publication PCT/PCT Publication Date: 2001/05/25
 (85) Entrée phase nationale/National Entry: 2002/05/09
 (86) N° demande PCT/PCT Application No.: US 2000/042021
 (87) N° publication PCT/PCT Publication No.: 2001/036276
 (30) Priorité/Priority: 1999/11/10 (60/164,699) US

(51) Cl.Int.⁷/Int.Cl.⁷ B65D 75/58
 (71) Demandeur/Applicant:
SCHOLLE CORPORATION, US
 (72) Inventeurs/Inventors:
SAVAGE, CHESTER, US;
MICNERSKI, KENNETH, US;
CARROLL, RICHARD, US;
LU, NANCY, US;
ALBIANI, RICHARD L., US;
VERESPEJ, ROCKLIN, US
 (74) Agent: SMART & BIGGAR

(54) Titre : SAC REPLIABLE POUR LIQUIDES ET PROCÉDE ASSOCIE
 (54) Title: COLLAPSIBLE BAG FOR DISPENSING LIQUIDS AND METHOD



(57) **Abrégé/Abstract:**

A collapsible bag (100) for dispensing liquids which includes at least one sheet (104, 108) sealed to define an enclosure and a fitment (124) (spout) attached to the enclosure and out through which liquid in the enclosure is dispensed. An interior surface of the one or more sheets has integral texture to assist in withdrawal of the liquid from the enclosure when collapsed. The texture can be provided by sheet surfaces that are mechanically or ultrasonically embossed or are bubble-cushioned (204) or which have sealed pleats (224) or accordion folds. The bottom surface (246) of a lower flange (244) of the fitment may have concentric ridges (298) (or spirals) (256) and/or radial grooves (278). Also disclosed are methods of making the bag from one, two, three or four sheets.

(12) INTERNATIONAL APPLICATION PUBLISHED UNDER THE PATENT COOPERATION TREATY (PCT)

(19) World Intellectual Property Organization
International Bureau(43) International Publication Date
25 May 2001 (25.05.2001)

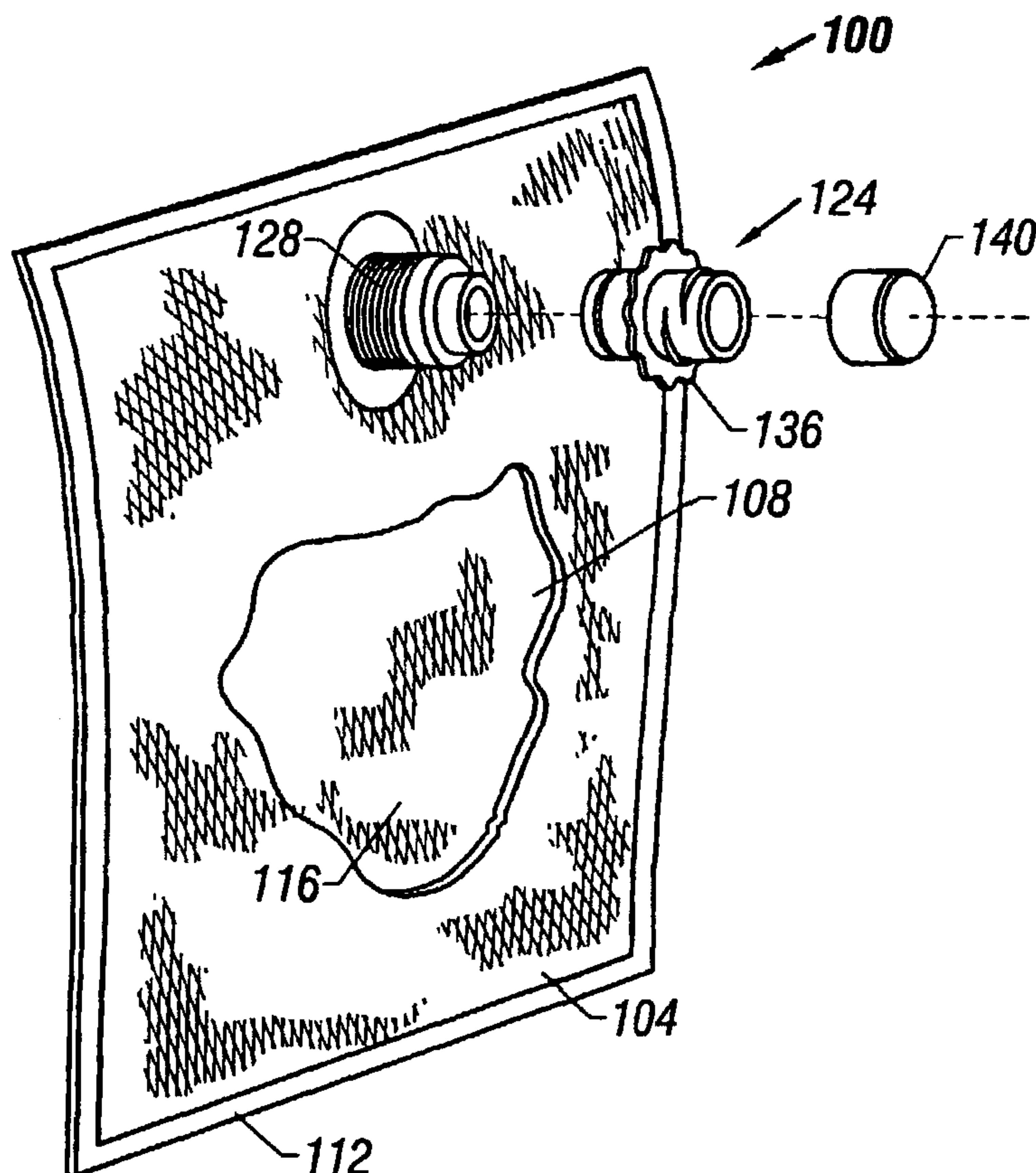
PCT

(10) International Publication Number
WO 01/36276 A3

- (51) International Patent Classification⁷: **B65D 75/58**
- (21) International Application Number: PCT/US00/42021
- (22) International Filing Date:
10 November 2000 (10.11.2000)
- (25) Filing Language: English
- (26) Publication Language: English
- (30) Priority Data:
60/146,699 10 November 1999 (10.11.1999) US
- (71) Applicant (for all designated States except US):
SCHOLLE CORPORATION [US/US]; 1950 Jamboree Boulevard, Irvine, CA 92715 (US).
- (72) Inventors; and
(75) Inventors/Applicants (for US only): **SAVAGE, Chester** [US/US]; 19500 Jamboree Boulevard, Irvine, CA 92715 (US). **MICNERSKI, Kenneth** [US/US]; 19500 Jamboree Boulevard, Irvine, CA 92715 (US). **CARROLL, Richard** [US/US]; 19500 Jamboree Boulevard, Irvine, CA 92715 (US). **LU, Nancy** [US/US]; 19500 Jamboree Boulevard, Irvine, CA 92715 (US). **ALBIANI, Richard, L.** [US/US]; 19500 Jamboree Boulevard, Irvine, CA 92715 (US). **VERESPEJ, Rocklin** [US/US]; 19500 Jamboree Road, Irvine, CA 92612 (US).
- (74) Agent: **INSKEEP, James, W.**; Oppenheimer Wolff & Donnelly LLP, Suite 700, 500 Newport Center Drive, Newport Beach, CA 92660 (US).
- (81) Designated States (national): AE, AG, AL, AM, AT, AU, AZ, BA, BB, BG, BR, BY, BZ, CA, CH, CN, CR, CU, CZ, DE, DK, DM, DZ, EE, ES, FI, GB, GD, GE, GH, GM, HR,

[Continued on next page]

(54) Title: COLLAPSIBLE BAG FOR DISPENSING LIQUIDS AND METHOD



(57) Abstract: A collapsible bag (100) for dispensing liquids which includes at least one sheet (104, 108) sealed to define an enclosure and a fitment (124) (spout) attached to the enclosure and out through which liquid in the enclosure is dispensed. An interior surface of the one or more sheets has integral texture to assist in withdrawal of the liquid from the enclosure when collapsed. The texture can be provided by sheet surfaces that are mechanically or ultrasonically embossed or are bubble-cushioned (204) or which have sealed pleats (224) or accordion folds. The bottom surface (246) of a lower flange (244) of the fitment may have concentric ridges (298) (or spirals) (256) and/or radial grooves (278). Also disclosed are methods of making the bag from one, two, three or four sheets.

WO 01/36276 A3



HU, ID, IL, IN, IS, JP, KE, KG, KP, KR, KZ, LC, LK, LR, LS, LT, LU, LV, MA, MD, MG, MK, MN, MW, MX, MZ, NO, NZ, PL, PT, RO, RU, SD, SE, SG, SI, SK, SL, TJ, TM, TR, TT, TZ, UA, UG, US, UZ, VN, YU, ZA, ZW.

(84) Designated States (regional): ARIPO patent (GH, GM, KE, LS, MW, MZ, SD, SL, SZ, TZ, UG, ZW), Eurasian patent (AM, AZ, BY, KG, KZ, MD, RU, TJ, TM), European patent (AT, BE, CH, CY, DE, DK, ES, FI, FR, GB, GR, IE, IT, LU, MC, NL, PT, SE, TR), OAPI patent (BF, BJ, CF, CG, CI, CM, GA, GN, GW, ML, MR, NE, SN, TD, TG).

Published:

— with international search report

(88) Date of publication of the international search report:

10 January 2002

For two-letter codes and other abbreviations, refer to the "Guidance Notes on Codes and Abbreviations" appearing at the beginning of each regular issue of the PCT Gazette.

COLLAPSIBLE BAG FOR DISPENSING LIQUIDS AND METHOD

Cross-Reference to Related Application

This application claims the benefit of U.S. Provisional Application No. 60/164,699, filed November 10, 1999, and whose entire contents are hereby incorporated by reference.

Field of the Invention

5 The present invention relates to collapsible bags for dispensing liquid products, and more particularly to collapsible bags having a surface that provides guiding or capillary paths for dispensing liquid products.

Background of the Invention

10 Various collapsible bags or containers are known in the prior art which are adapted to be filled with liquid contents and sealed and which allow their liquid contents to be suction withdrawn through their annular spouts or fitments. The walls of the bag are typically sheets of plastic, which are typically formed of polyethylene, polypropylene, nylon, or polyester. The liquid contents can be juices, milk, drink syrups or other liquids such as photoprocessing
15 solutions, cleaning chemicals, or cocktail mixes. An example of these collapsible bags is the so-called "bag-in-box" commonly used in the soft drink industry to deliver the drink syrup to the dispensing machine. The bags are fed into filling machines which uncap them, fill them with the syrup (or other liquid), recap them and box them. The boxes structurally support the bags during storage, shipment, and as they are being emptied. The bags are emptied through a
20 spout in the bag accessible through a hole in the box and using a pump.

A plastic dip tube or dip strip disposed in the bag and secured therein so as to pass over the spout opening or to be secured to the spout opening assists in the withdrawal of the syrup from the bag. The strip prevents the bag from collapsing on the opening and closing it, and also guides the remaining quantities of syrup in the bag to the opening as the syrup continues to
25 be withdrawn. The strip can be attached to the spout and/or to the inside wall of the plastic bag. Alternatively, the dip tube or dip strip can be attached to the perimeter seal of the bag. Examples of dip tubes or dip strips and their collapsible bags are shown in U.S. Patents 4,286,636 (*Credle*), 4,601,410 (*Bond*), 5,647,511 (*Bond*), 5,915,596 (*Credle*), and 5,941,421 (*Overman et al.*) and in WO 99/46169 (Coca-Cola Company). (All of the patents and other
30 publications mentioned anywhere in this disclosure are hereby incorporated by reference in their entireties.)

In addition to the separate manufacturing step required to make the dip tube or dip strip and the attendant material required to make the dip tube or dip strip, the application to the bag of a dip tube or dip strip requires yet another separate manufacturing step. Generally, after the spout is secured to the bag, the dip tube or dip strip is disposed in the bag by attachment to the spout, the inside wall of the bag or to the perimeter seal of the bag, or a combination of the above. This adds to the manufacturing time and expense. A further disadvantage of the strips, in addition to the cost of manufacturing them, is that they may become dislodged when the bag is filled at high pressure. A still further disadvantage of the strips is that they may create a back pressure and reduce fill rates.

10

Summary of the Invention

Accordingly, disclosed herein is an improved collapsible bag which does not have a dip strip or dip tube and the problems associated therewith. Rather, the bag sheets have a unique construction which aids in the complete or near complete withdrawal of the syrup or other contained liquid. The sheets themselves have a surface "texture," which provides a guiding or capillary path for draining the liquid out the spout and which also prevents the sheets from closing off the flow to the spout during the suction of the pump.

One example of the textured surface is an embossed sheet of film with raised work in multiple designs and which can be mechanically embossed or ultrasonically embossed. Ultrasonic welding displaces a pattern into the surface of the film, thereby replicating a mechanically embossed ("waffle-like" or other) pattern. The plastic sheets which comprise the walls of the bag can both be embossed or just one can be embossed. The sheets may be comprised of more than one layer of film, manufactured through co-extrusion or lamination. Other examples of "textured" surfaces which can be used are bubble wraps (cushion packaging), sealed pleats and folded constructions which run towards the spout. Further examples are disclosed in U.S. Patents 4,964,540 (*Katz*), 5,549,944 (*Abate*) and 5,554,423 (*Abate*).

Also disclosed herein is an improved collapsible bag fitment. The bottom surface of the lower seal flange of the fitment preferably has seven concentric ridges or rings, twelve evenly spaced radial channels or grooves, and twelve gussets at the edge of the spout opening. An advantage to having radial grooves in conjunction with the concentric rings is the additional capillary or flow channel capacity created by using the full surface area of the flange.

An alternative embodiment changes the concentric rings to one or more spiral grooves to increase the flow to the spout bore using the same principle. In conjunction either with the radial grooves, concentric rings and gussets or with the spiral groove design or with the waffle

35

pattern design, other features may be incorporated to enhance evacuation, including grooves on the inside bore of the spout and cross-bars spanning the spout opening.

Other objects and advantages of the present invention will become more apparent to those persons having ordinary skill in the art to which the present invention pertains from the foregoing description taken in conjunction with the accompanying drawings.

Brief Description of the Drawings

FIG. 1 is a perspective view of a collapsible bag of the present invention with the fitment components shown in exploded relation and a portion of the plastic sheet comprising one of the bag walls broken away for illustrative purposes;

FIGS. 2a and 2b are enlarged views of a bottom surface of a lower flange of the fitment;

FIG. 2c is an alternative embodiment of a bottom surface of a lower flange of the fitment;

FIG. 3 is an enlarged perspective view showing the securement of the plastic sheet to the top surface of the bottom seal flange of the fitment;

FIG. 4 is a cross-sectional view through FIG. 3;

FIG. 5 is an enlarged cross-sectional view through a portion of an alternative collapsible bag of the present invention, showing a non-embossed sheet comprising one wall and an embossed sheet comprising the outer wall;

FIG. 6 is an enlarged cross-sectional view through an alternative three-layer embossed sheet of a bag of the present invention;

FIG. 7 is an enlarged view of an embossed sheet showing preferred dimensions;

FIG. 8 is a view similar to FIG. 6 showing a bubble wrap or cushion layer embodiment of the present invention;

FIG. 9 is a view similar to FIG. 6 showing an alternative three-layer cushion sheet embodiment of the present invention;

FIGS. 10a-10c are views showing a sealed pleated embodiment of the present invention;

FIGS. 11a-11c are views showing an accordion fold embodiment of the present invention;

FIGS. 12a-12c are views showing a mesh layer embodiment of the present invention;

FIGS. 13a-13c are views showing another mesh layer embodiment of the present invention;

FIGS. 14a-14c are views showing a perforated sheet embodiment of the present invention;

FIGS. 15a-15c are views illustrating an embodiment of a fitment body member having a "waffle" texture in accordance with the present invention;

5 FIGS. 16a-16c are views illustrating an embodiment of a spout member having spiral grooves in accordance with the present invention;

FIGS. 17a-17c are views illustrating an embodiment of a spout member having radial grooves in accordance with the present invention;

10 FIGS. 18a-18c are views illustrating an embodiment of a spout member having concentric ridges in accordance with the present invention;

FIGS. 19a-19c are views illustrating an embodiment of a spout member having radial grooves and concentric ridges in accordance with the present invention;

FIGS. 20a-20c are views illustrating an embodiment of a spout member having spiral grooves and partially extended cross-bars in accordance with the present invention;

15 FIGS. 21a-21c are views illustrating an embodiment of a spout member having spiral grooves and fully extended cross-bars in accordance with the present invention;

FIGS. 22a-22c are views illustrating an embodiment of a spout member with a separate channel member having radial grooves, concentric ridges, and gussets in accordance with the present invention;

20 FIGS. 23a-23c are views illustrating an embodiment of a spout member with a separate channel member having radial grooves and cross-bars in accordance with the present invention;

FIGS. 24a-24c are views illustrating an embodiment of a spout member with a separate channel member having radial ridges and cross-bars in accordance with the present invention;

25 FIGS. 25a-25c are views illustrating an embodiment of a spout member with a separate channel member having radial ridges in accordance with the present invention;

FIGS. 26a-26c are views illustrating an embodiment of a spout member with a separate channel member having radial ridges in accordance with the present invention;

FIG. 27a is a top plan view of an alternative collapsible bag of the present invention wherein substantial portions of the top and bottom sheets are mechanically embossed;

30 FIG. 27b is a bottom plan view of the bag of FIG. 27a;

FIG. 28 is an enlarged cross-sectional view through a portion of an alternative ultrasonically-embossed bag in accordance with the present invention;

FIG. 29 is an enlarged view of an alternative three-layer, ultrasonically-embossed bag sheet in accordance with the present invention;

FIG. 30 is a simplified schematic view showing a process for manufacturing the bag of FIG. 27a in accordance with the present invention;

FIG. 31a is a side elevation (or top plan) view of an alternative collapsible bag of the present invention, commonly referred to as a stand-up pouch;

5 FIG. 31b is an end view of the bag of FIG. 31a; and

FIGS. 32a, 32b, 32c and 32d and FIGS. 33a, 33b, 33c and 33d show four different sealing arrangements of a bag formed from a single web of film of the present invention.

Detailed Description of Preferred Embodiments of the Invention

10 A collapsible bag of the present invention is illustrated generally at 100 in FIG. 1. Bag 100 includes two preferably rectangular sheets of plastic 104, 108 which comprise the two walls secured together about their perimeters 112 to define therebetween an enclosed region 116 for containing the liquid product, such as the drink syrup and other liquids previously mentioned. The sheets 104, 108 are secured together by heat sealing, impulsed sealing, radio
15 frequency (RF) sealing, or other techniques as would be apparent to those skilled in the art. For a five gallon bag, the sheets 104, 108 would preferably have dimensions of 18-1/4 inches by 22-1/4 inches.

The sheet 104 has a through-hole and a fitment shown generally at 124 secured at the hole. The fitment 124 has three parts: a spout member 128 having a lower flange 132, a valve
20 member 136 having a check valve therein and a cap 140. All three parts can be made of plastic, preferably polyethylene.

The bottom surface 144 of the lower flange 132 is shown enlarged and in isolation in FIGS. 2a and 2b. Referring thereto it is seen to have concentric ridges 148, radial grooves 152, and gussets 154, whose functions are described later.

25 The spout member 128 is passed through the through-hole so that the top surface 156 of the lower flange 132 engages the bottom surface of the sheet 104, as shown in FIGS. 3 and 4. The sheet 104 is secured to the flange top surface 156 as a ring-shaped seal 160 around the lower flange 132. Thus, the flange top surface 156 acts as a sealing surface. It is secured preferably by heat sealing, impulsed sealing or RF sealing.

30 The bag 100 can be formed by providing a first roll of material to form the sheet 104 and a second roll of material to define the sheet 108, unwinding a portion of the first roll, punching a hole in the unwound portion to define the through-hole, fitting the spout member 128 up through the through-hole, and sealing the lower flange 132 to the unwound portion to form the seal ring 160. A portion of the second roll is unwound and the portions of the two
35 rolls are sealed together about their perimeters 112 to define the enclosure 116.

At the filling station the valve member 136 and cap 140 are removed from the spout member 128, and the enclosure 116 is filled through the opening in the spout member 128 with the liquid product. The valve member 136 and cap 140 are then reattached to the spout member 128. The filled bag is boxed in a box (not shown) having a perforated area that can be opened, allowing access to the fitment. The customer then, with the filled bag in the box, accesses the fitment 124 through the box opening, removes the cap 140 and attaches the suction hose (not shown) to the fitment 124. The suction hose is operatively connected to a suction pump (also not shown) and the liquid is withdrawn through the fitment 124 or spout as desired by the customer. The check valve 136 allows the liquid to be sucked out of the bag 100 but seals the bag, preventing air from entering the bag 100.

A further alternative is to dispense liquid through the fitment but fill the bag through another opening which is subsequently sealed closed.

Pursuant to the present invention, the sheets 104, 108 have a unique construction which prevents the bag 100 from being sucked into the spout member 128 and thereby blocking further draining, and which channels the liquid into the spout member 128 thereby assisting in essentially complete draining of the bag 100. The radial grooves 152, concentric ridges 148, and gussets 154 in the lower flange 132 also help channel the liquid and help prevent the bag 100 from being sucked in. An advantage of providing concentric ridges 148 and gussets 154 along with the radial grooves 152 is that channels are defined for the liquid (syrup) to travel through the radial flange 132. In contrast, with only radial grooves, there are still flat surfaces between the radial grooves, allowing for possible film blockage of the bag or reduced flow rate. This unique sheet construction can include interior surfaces of the first and second sheets 104, 108 having "textured" surfaces which define liquid drainage channels. FIG. 2c illustrates an alternative embodiment in which grooves 153 extend partially into a sidewall 155 of the spout member 128.

One "textured" surface embodiment of the invention is to have the sheets 104, 108 made of embossed material, such as that disclosed in U.S. Patent Re. 34,929 (*Kristen*). This embossed sheet material can be a single layer, two layers, three layers or more layers of material. The layers can be co-extruded or glued or laminated together or less preferably separate and connected only at their edges by a perimeter seal. One or both of the sheets 104, 108 can have the embossed construction. In the construction where the layers are separate other than being attached at their edges, only the inside layer, or that which make contact with the product contained in the bag, need be embossed. If the embossing is deep enough, the radial grooves 152, concentric ridges 148, and gussets 154 or spirals may not be needed, and

the bottom surface of the flange can then be smooth. Further, if the bag is oriented so that the spout is facing down (at the bottom of the bag), only the textured flange bottom may be required and the sheets need not be embossed.

FIG. 5 shows a bag construction in a collapsed state with the sheets 104, 108 contacting each other. In this embodiment, the sheet 108 (but not the sheet 104) has an embossed construction, and both sheets 104, 108 have a two-layer construction with the inner layer 164 being a polyethylene material and the outer layer 168 being a nylon material. As seen therein the spaces 172 between the "bumps" 176 of the embossed material define liquid draining channels therebetween.

FIG. 6 shows an enlarged cross-section portion of the sheet 108 (or sheet 104) of an alternative bag construction. As shown therein, the sheet has a three-ply laminate construction with top and bottom polyethylene layers 178, 180 and a center nylon layer 184. FIG. 7 shows dimensions 188, 192, 196 of an embossed (single layer or multiple-layer laminate) sheet 108 (or 104), which are in one embodiment .0075, .005, and .0025 inch, respectively.

Another bag construction of the present invention which provides the "textured" surface is for one or both of the sheets to include a cushion layer or specifically a blister or bubble wrap layer, such as the material used to provide cushioning for packaging items. The "bubbles" can have heights of 3/16 or 1/8 inch, for example. One embodiment is illustrated in FIG. 8 where only the sheet 104 is shown to include a bubble wrap layer 204, and the other sheet 108 comprises a conventional smooth polyethylene-nylon, two-layer construction 208, 212. However, the top sheet 104 would preferably be the smooth layer and the bottom sheet 108 would be the bubble wrap layer, and thereby the bottom layer would be less likely to be sucked into the fitment 124. The sheet 108 (or 104) can include a nylon sheet 216 laminated to the bubble wrap layer 204 as shown in FIG. 9.

Alternative bag constructions are illustrated in FIGS. 10a-10c and 11a-11c. FIG. 10a shows both sheets 104, 108 having spaced, sealed pleats 224, defining channels 226 and "textured" interior bag surfaces. FIG. 10b shows how each of the sealed pleats 224 is sealed at its base, and FIG. 10c is a perspective view of the sheet 104 illustrating the sealed pleats 224 and channels 226. However, it is also within the scope of the invention for only one of the sheets to have the sealed pleats and the other being a conventional smooth construction. Furthermore, the sheets 104, 108 or sheet 104, 108 may include a single set of sealed pleats oriented in a parallel fashion and directed towards the spout member 128 or may include two sets of sealed pleats forming a "waffle-like" or other pattern. Instead of pleats, FIGS. 11a-11c

show the sheet 104 having spaced folds 228 and channels 230 therebetween. Similarly, one of the sheets can have the folded construction and the other can have a non-folded construction.

Still further alternative bag constructions are shown in FIGS. 12a-12c, FIGS. 13a-13c, and FIGS 14a-14c. FIGS. 12a-12c show a bag construction in which a mesh layer 232 is disposed between the sheets 104, 108 to provide liquid draining channels 234. The mesh layer 232 and sheets 104, 108 are separate other than being attached about their perimeters. It is contemplated that the mesh layer 232 can be made of plastic such as polyethylene, nylon and the like. Instead of the mesh layer being separate from the sheets 104, 108, FIGS. 13a-13c illustrate a mesh layer 236 secured to one of the sheets 104, 108. The mesh layer 236 may be secured to one of the sheets 104, 108 by heat sealing, impulsed sealing, or RF sealing. FIGS. 14a-14c show a bag construction in which a perforated sheet 237 having a plurality of apertures 238 is disposed between the sheets 104, 108 to provide liquid draining channels. The perforated sheet 237 and sheets 104, 108 are separate other than being attached about their perimeters.

15

Alternative Fitment Body Members

FIGS. 15a-15c, 16a-16c, 17a-17c, 18a-18c, and 19a-19c show alternative embodiments of the spout member. Spout member 240 of FIGS. 15a-15c includes an aperture 242 extending therethrough and further includes a lower flange 244 having a bottom surface 246. Waffle textured grooves 248 are integrally molded or embossed on the bottom surface 246 of the lower flange 244 to provide liquid draining channels 249 which help prevent the bag 100 from being sucked into the spout member 240 and which promote complete drainage of the bag 100. A recessed circumferential portion 247 can further enhance the prevention of fluid blockage resulting from the sheet 108 forming a fluid blockage seal with the circumferential edge of the aperture 242. Spout member 250 of FIGS. 16a-16c includes an aperture 252 extending therethrough and a lower flange 253 having a bottom surface 254. Spiral grooves 256 are integrally molded or embossed on the bottom surface 254 of the lower flange 253 to provide liquid draining channels 258. A recessed circumferential portion 260 can further enhance the prevention of fluid blockage.

30

Spout member 270 of FIGS. 17a-17c is similar to the embodiment shown in FIG. 2 with the exception that a bottom surface 272 of a lower flange 274 does not include gussets and concentric ridges. An aperture 276 extends through the spout body member 270, and radial grooves 278 are integrally molded or embossed on the bottom surface 272 to provide liquid draining channels 280. A recessed circumferential portion 282 can further enhance the prevention of fluid blockage.

35

Spout body member 290 of FIGS. 18a-18c includes an aperture 292 extending therethrough and a lower flange 294 having a bottom surface 296. Concentric ridges 298 are integrally molded or embossed on the bottom surface 296 to provide liquid draining channels 297 with the "textured" surface of the sheets 104, 108. A recessed circumferential portion 300 can further enhance the prevention of fluid blockage.

Spout member 310 of FIGS. 19a-19c is similar to the embodiment shown in FIG. 2 with the exception that a bottom surface 312 of a lower flange 314 does not include gussets. An aperture 316 extends through the spout member 310. Radial grooves 317 and concentric ridges 318 are integrally molded or embossed on the bottom surface 312 to provide liquid draining channels 320. A recessed circumferential portion 322 can further enhance the prevention of fluid blockage.

Additional embodiments of the spout member are shown in FIGS. 20a-20c and 21a-21c. Spout member 330 of FIGS. 20a-20c is similar to embodiment illustrated in FIGS. 16a-16c and further includes cross-bars 332 extending into an aperture 334 of the spout member 330. The cross-bars 332 are particularly applicable when relatively thin and flexible sheets 104, 108 are used, wherein the cross-bars 332 operate in conjunction with spiral grooves 335 to prevent the bag 100 from being sucked into the spout member 330. The spout member 330 further includes a lower flange 336, a bottom surface 338, and a recessed circumferential portion 340. Spout member 350 of FIGS. 21a-21c is similar to the embodiment illustrated in FIGS. 20a-20c with the exception that cross-bars 352 extend continuously from one sidewall of an aperture 353 to an opposing sidewall of the aperture 353. The spout member 350 includes a lower flange 356, a bottom surface 358, spiral grooves 360, and a recessed circumferential portion 362.

Still further additional embodiments of the spout member are shown in FIGS. 22a-22c, 23a-23c, 24a-24c, 25a-25c, and 26a-26c. The textured feature of a lower flange 368 may also be attained by attaching another piece to the spout member 370, wherein the added piece, when assembled to the spout member 370 creates ridges, grooves, or other patterns resulting in a texture that prevents the sheet from collapsing onto the lower flange 368 or being sucked into the spout member 370 opening. In these embodiments, the lower flange 368 which is adapted to accept a separate channeling member. The separate channeling member may be attached to the lower flange 368 by means of a pressure fit, snap fit, interference fit, heat seal, ultrasonic seal, adhesive, or any other method generally known to one skilled in the art. One of the advantages of providing such a configuration is that a generic spout member 370 may be used for various fluid applications to reduce manufacturing cost because the separate channeling

members may be specifically tailored in accordance with the fluid dynamic qualities of the liquid product (i.e. viscosity) while utilizing the spout body member 370 for most applications. FIGS. 22a-22c illustrates the spout member 370 having a separate channeling member 380 with radial grooves 382, concentric ridges 384, gussets 386, and a circumferential recessed portion 388. FIGS. 23a-23c illustrates the spout member 370 having a separate channeling member 400 with radial grooves 402, cross-bars 404, and a circumferential recessed portion 406. FIGS. 24a-24c illustrates the spout member 370 with a separate channel member 411 having radial ridges 412, cross-bars 414, and a circumferential recessed portion 416. FIGS. 25a-25c illustrates the spout member 370 with a separate channeling member 420 having radial ridges 422 and a circumferential recessed portion 424. FIGS. 26a-26c illustrates the spout member 370 with a separate channeling member 430 having radial ridges 432 and a circumferential recessed portion 434.

Sheet Construction

The embossed sheet construction of FIG. 6, for example, can be formed in a mechanical embossing process, between two patterned (male-female) rollers. A variation of mechanical embossing uses one patterned roller and one rubber-coated roller between which the plastic film is fed to impart the pattern in the film. An alternative sheet construction is to form the sheet(s) using an ultrasonic embossing procedure. A bag formed using a mechanical embossed construction is shown in FIGS. 27a and 27b generally at 440.

Both sheets 104, 108 of the bag 440 are shown to have a mechanically embossed construction. Either mechanically or ultrasonically, the embossing would be on the interior surfaces of the sheets 104, 108 and can cover the entire sheet surface or only a central portion thereof (as illustrated in FIGS. 27a and 27b). For example, either ultrasonic or mechanical embossing allows the embossed surface pattern to be controlled, and a void 442 (FIG. 27a) can be provided around the spout 124 to allow the current spout seal process or remain unchanged. This can be advantageous if embossing changes its seal characteristics. Similarly, an alternative construction is to form only one sheet 104 or 108 with a mechanically or ultrasonically embossed surface.

As shown in FIG. 28, the sheets 104, 108 can have a multiple-layer laminated construction, which has polyethylene-nylon-polyethylene layers 444, 446, 448 or simply polyethylene-nylon layers. Referring to FIG. 29, the thickness dimensions 450, 452 can be .015 and .003 inch, respectively, in a 2:1 ratio. Other sheet constructions can include layers of low density polyethylene - medium density polyethylene - low density polyethylene - nylon - low density polyethylene; the medium density polyethylene adding stiffness. In contrast, the

standard embossing of FIG. 6 preferably has a 3:1 ratio. Also, ratios higher than 2:1 can be used with appropriately designed embossing roller/sonic horn combinations.

A system for manufacturing the bag of FIGS. 27a and 27b is illustrated schematically in FIG. 30 generally at 460. Webs 462, 464 of the top and bottom (single or multi-layer) sheets 104, 108 are shown entering the system 460 at the left of the drawing. Both enter mechanical embossing stations 466, 468 respectively, with their embossing rollers 470, 471 and heat sources 472 (e.g. UV and IR heat sources) just before the rollers 470, 471. The top sheet web 462 then enters hole-punching and spout-sealing stations 474, 476, respectively. The two sheets 104, 108 are then perimeter sealed together at the sealing station 478. The sealing can be heat sealing, ultrasonic sealing or RF sealing. Advantageously and unlike the earlier-described prior art bags, no separate dip strip or dip strip insertion equipment is needed to construct collapsible bag 440.

Mechanical embossing may be preferred over ultrasonically embossing because it produces a more pronounced and deeper pattern. Both are more adaptable to the current bag making process due to the ability to cycle (on-off). The advantage of ultrasonically embossed material (such as polyethylene laminated to nylon) is that capillary channels are created which are less susceptible to blockage due to the bag 100 folding over, vacuum, or direct pressure. In contrast, the channels formed by mechanically embossing can possibly be folded flat in the crease of the bag or at the spout. On the other hand, the mechanically-embossed operation advantageously has more capacities to offer deeper embossing effect.

Discussed above are collapsible bags formed from two sheets and having two walls. However, it is also within the scope of the present invention to form a bag such as that shown generally at 480 in FIGS. 31a and 31b with three walls usually formed from three sheets 484, 486, 488 and a capped spout or fitment 490. Any of the textured surfaces described previously can be provided on the internal surface of any one or two or all three of the sheets 484, 486, 488. A four walled bag (having two gussets) is also within the scope of the invention.

Alternatively, the ("textured surface") bag can be formed from a single sheet or web 500 as shown in FIGS. 32a-32d. And the panel can be secured to itself with a lap seal 502 as shown in FIG. 33a, a fin seal 504 as shown in FIG. 33b, a gusset seal 506 as shown in FIG. 33c or a three-sided seal 508 as shown in FIG. 33d. The bag can be formed in a form-fill-seal process as is known, such as is used for today's potato chip bags.

The present invention can be embodied in bags of generally any shape including mandrel, tray or pocket with lid and tetrahedron. Another construction of the invention would be for the two sheets to have different "textured" constructions; for example, one can have

embossed and the other seal pleated, or one can have a folded and the other an embossed. A further design is for the bag to not have a built-in spout or fitment. Further, another design is for the bag to have a spout sealed into the perimeter seal of the bag. This is commonly referred to as a fin-sealed spout.

5 From the foregoing detailed description, it will be evident that there are a number of changes, adaptations and modifications of the present invention which come within the province of those skilled in the art. The invention includes any combination of the elements from the different species and/or embodiments disclosed herein. However, it is intended that all such variations not departing from the spirit of the invention be considered as within the
10 scope thereof.

What is Claimed is:

1. A collapsible bag for dispensing liquids, comprising;
at least one sheet secured to define an enclosure; and
a fitment attached to the at least one sheet and out through which liquid is withdrawn
from the enclosure;
wherein an interior surface of the at least one sheet has integral texture to assist in
withdrawal of the liquid from the enclosure when collapsed.
2. The bag of claim 1 wherein the at least one sheet is embossed to define the
texture.
3. The bag of claim 1 wherein the at least one sheet is ultrasonically embossed to
define the texture.
4. The bag of claim 1 wherein the at least one sheet is mechanically embossed to
define the texture.
5. The bag of claim 1 wherein the texture is defined by sealed pleats in the at least
one sheet.
6. The bag of claim 1 wherein the texture is defined by accordion folds in the at
least one sheet.
7. The bag of claim 1 wherein the at least one sheet includes a layer of bubble
wrap which defines the texture.
8. The bag of claim 7 wherein the at least one sheet includes a gas impermeable
sheet attached to the layer of bubble wrap.
9. The bag of claim 1 wherein the fitment is sealed in a perimeter seal of the bag.
10. The bag of claim 1 wherein a flange of the fitment is sealed in an opening in the
at least one sheet.
11. The bag of claim 1 wherein the fitment includes a flange disposed in the
enclosure and having a bottom surface.
12. The bag of claim 11 wherein the bottom surface has at least one radial groove.
13. The bag of claim 11 wherein the bottom surface has concentric ridges.
14. The bag of claim 11 wherein the bottom surface has at least one spiral.
15. The bag of claim 11 wherein the bottom surface has at least one gusset.
16. The bag of claim 1 wherein the at least one sheet includes first and second
sheets perimeter sealed together to define the enclosure, and wherein the fitment is attached to
the first sheet.
17. The bag of claim 16 wherein the texture is on the first sheet.

18. The bag of claim 16 wherein the texture is on the second sheet.
19. The bag of claim 16 wherein the texture is on the first and second sheets.
20. The bag of claim 1 wherein the at least one sheet is a single sheet folded onto itself.
21. The bag of claim 1 wherein at least one sheet includes three sheets.
22. The bag of claim 1 wherein the at least one sheet includes four sheets.
23. A method of forming a collapsible bag for dispensing liquids, comprising:
 - embossing at least one of first and second webs;
 - punching a hole in the first web;
 - securing a spout member in the hole; and
 - perimeter sealing the first and second webs together to define an enclosure which communicates with the hole.
24. The method of claim 23 wherein the embossing comprises mechanical embossing.
25. The method of claim 24 wherein the embossing embosses the second web.
26. The method of claim 24 wherein the embossing embosses the first web.
27. The method of claim 24 wherein the embossing embosses both webs.
28. The method of claim 24 wherein the securing includes heat sealing the first web to a flange of the spout member.
29. The method of claim 24 wherein the embossing is by ultrasonic means.
30. A fitment for a collapsible bag, comprising:
 - a body member having a lower flange with a bottom surface; and
 - at least one groove located at the bottom surface for channeling fluid.
31. The fitment of claim 30 wherein the at least one groove is a radial groove.
32. The fitment of claim 31 wherein the at least one radial groove extends into an inside bore of the body member.
33. The fitment of claim 31 wherein the at least one radial groove constitutes a separate piece, and wherein the separate piece is attached to the bottom surface of the lower flange by means of a pressure fit, snap fit, interference fit, heat seal, ultrasonic seal or adhesive.
34. The fitment of claim 31 having at least one gusset at the bottom surface.
35. The fitment of claim 34 wherein the at least one radial groove and the at least one gusset constitute a separate piece, and wherein the separate piece is attached to the bottom surface of the lower flange by means of a pressure fit, snap fit, interference fit, heat seal, ultrasonic seal or adhesive.

36. The fitment of claim 31 having concentric ridges at the bottom surface.

37. The fitment of claim 36 wherein the at least one radial groove and concentric ridges constitute a separate piece, and wherein the separate piece is attached to the bottom surface of the lower flange by means of a pressure fit, snap fit, interference fit, heat seal, ultrasonic seal or adhesive.

38. The fitment of claim 31 having a combination of concentric ridges and gussets at the bottom surface.

39. The fitment of claim 38 wherein the at least one radial groove, concentric ridges and gussets constitute a separate piece, and wherein the separate piece is attached to the bottom surface of the lower flange by means of a pressure fit, snap fit, interference fit, heat seal, ultrasonic seal or adhesive.

40. The fitment of claim 38 wherein the at least one radial groove, concentric ridges and gussets are integrally molded or embossed on the bottom surface.

41. The fitment of claim 30 further comprising:
wherein the at least one groove includes twelve radial grooves; and
seven concentric ridges and twelve gussets located at the bottom surface.

42. The fitment of claim 30 further comprising:
a valve member securable to the body member; and
a cap securable to the valve member.

43. The fitment of claim 30 wherein the at least one groove is a spiral groove.

44. The fitment of claim 40 further comprising:
a bore extending through the body member;
wherein the spiral groove extends from the bottom surface of the lower flange to an interior sidewall of the bore.

45. The fitment of claim 30 wherein the at least one groove is a waffle texture.

46. The fitment of claim 45 further comprising:
a bore extending through the body member;
wherein the waffle texture extends from the bottom surface of the flange to an interior sidewall of the bore.

47. The fitment of claim 45 wherein the waffle texture constitutes a separate piece, and wherein the separate piece is attached to the bottom surface of the lower flange by means of pressure fit, snap fit, interference fit, heat seal, ultrasonic seal or adhesive.

48. A collapsible bag for dispensing liquids, comprising:
at least one sheet secured to define an enclosure;

a spout member having a lower flange with a bottom surface; and
a plurality of gussets, radial grooves and concentric ridges located at the bottom
surface;

wherein the spout member is attached to the at least one sheet and out through which
liquid is withdrawn from the enclosure; and
wherein an interior surface of the at least one sheet has integral texture to assist in
withdrawal of the liquid from the enclosure when collapsed.

49. The bag of claim 48 wherein the at least one sheet includes a first and second
sheets perimeter sealed together to define the enclosure, and wherein the spout member is
attached to the first sheet.

50. A method of withdrawing fluid from a container comprising:
urging fluid out of the container through a spout on said container;
allowing flexible walls of said container to move inwardly during flow of said fluid
through said spout; and,

directing fluid towards said spout along fluid pathways distributed on internal surfaces
of said flexible walls of said container.

51. A method as set forth in claim 50, further comprising continuing to direct fluid
towards said spout along said fluid pathways at a time when said internal surfaces come into
contact with said spout.

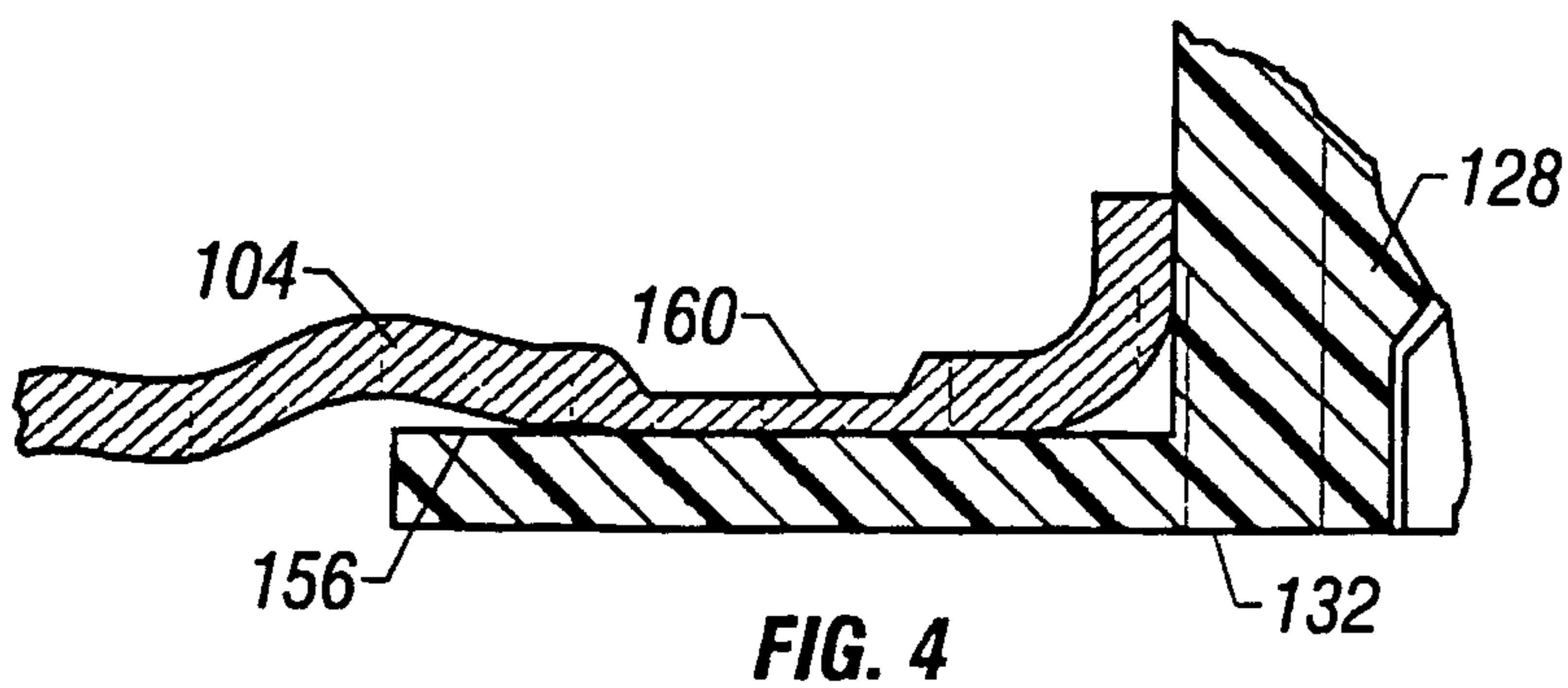
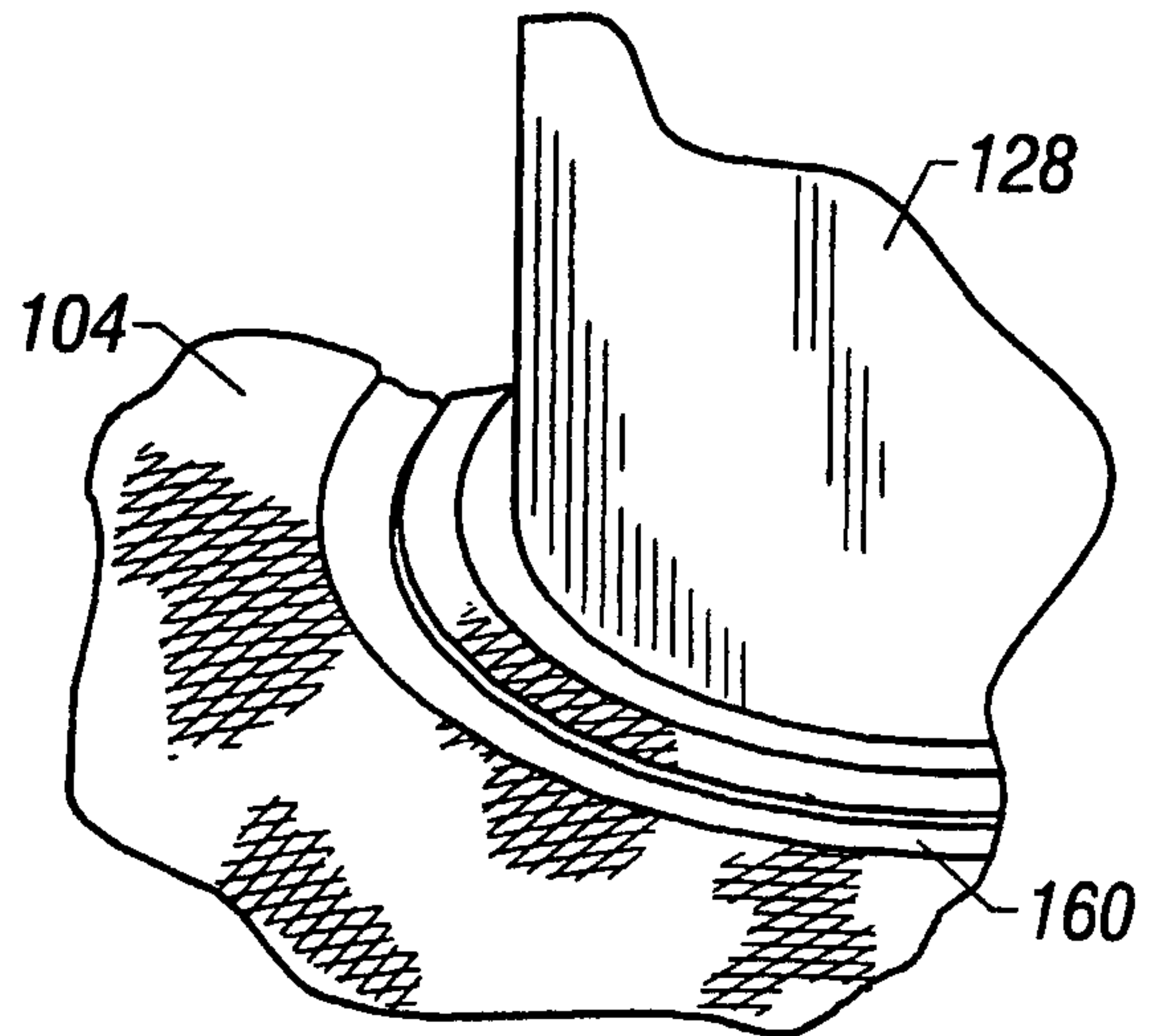
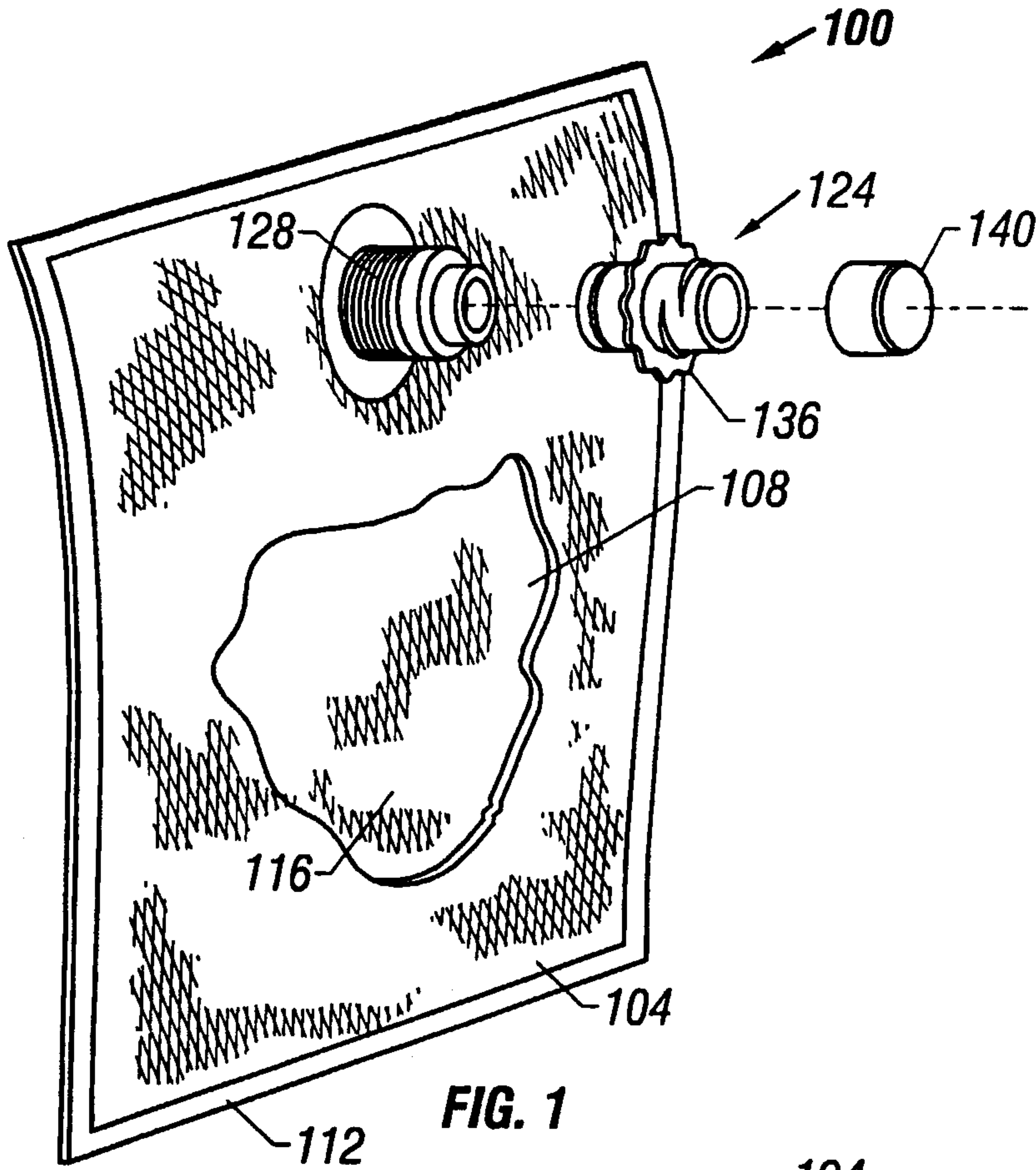
52. A method as set forth in claim 50, further comprising directing said fluid
through said spout along fluid pathways distributed on internal surfaces of said spout.

53. A method as set forth in claim 52, further comprising continuing to direct fluid
through said spout along said fluid pathways at a time when said internal surfaces of said
flexible walls come into contact with said spout.

54. A method as set forth in claim 50, wherein said fluid pathways are configured in
a waffle pattern distributed on said internal surfaces of said flexible walls.

55. A method as set forth in claim 52, wherein said fluid pathways on said internal
surfaces of said spout are radial grooves.

1/26



2/26

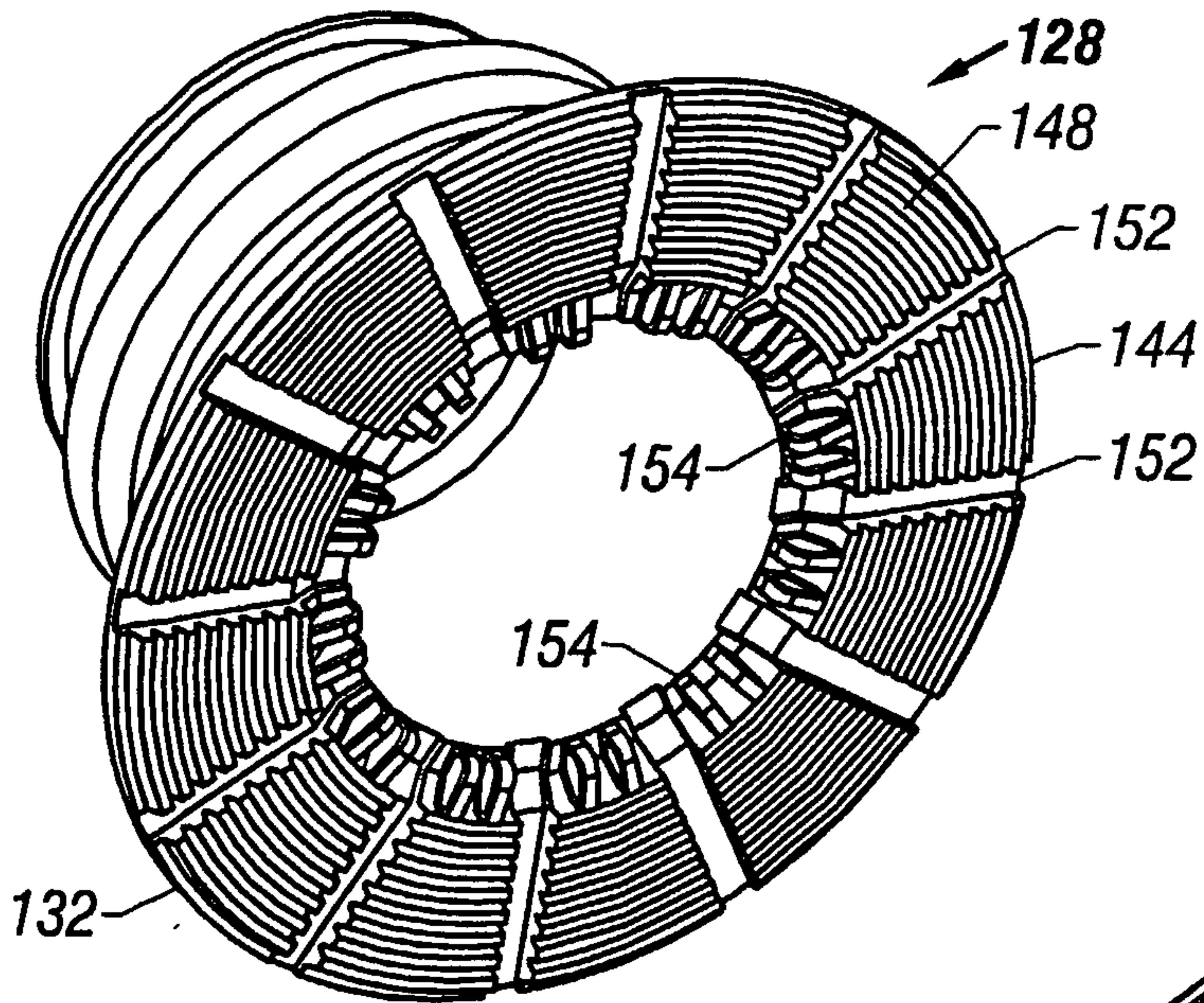


FIG. 2A

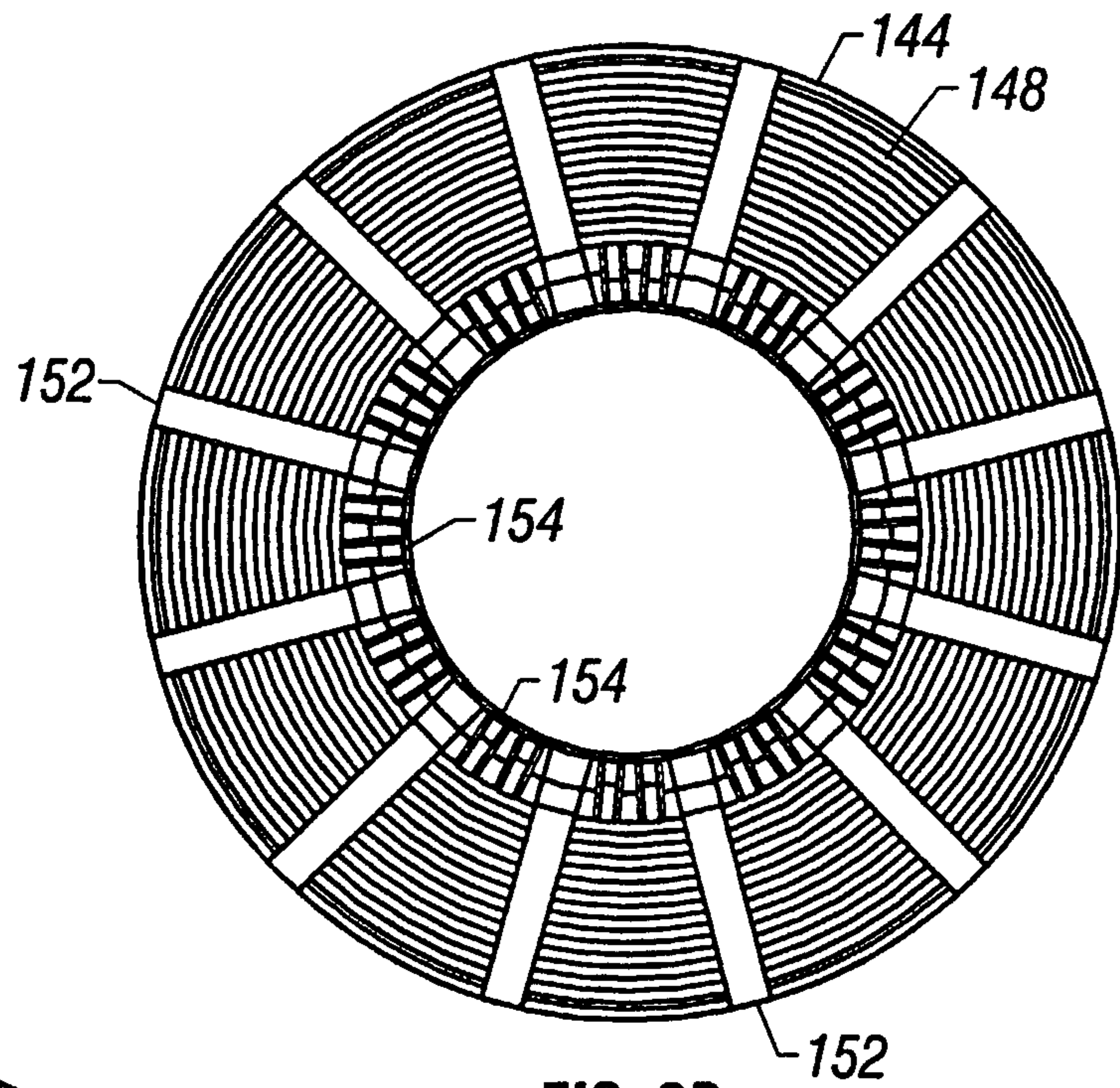


FIG. 2B

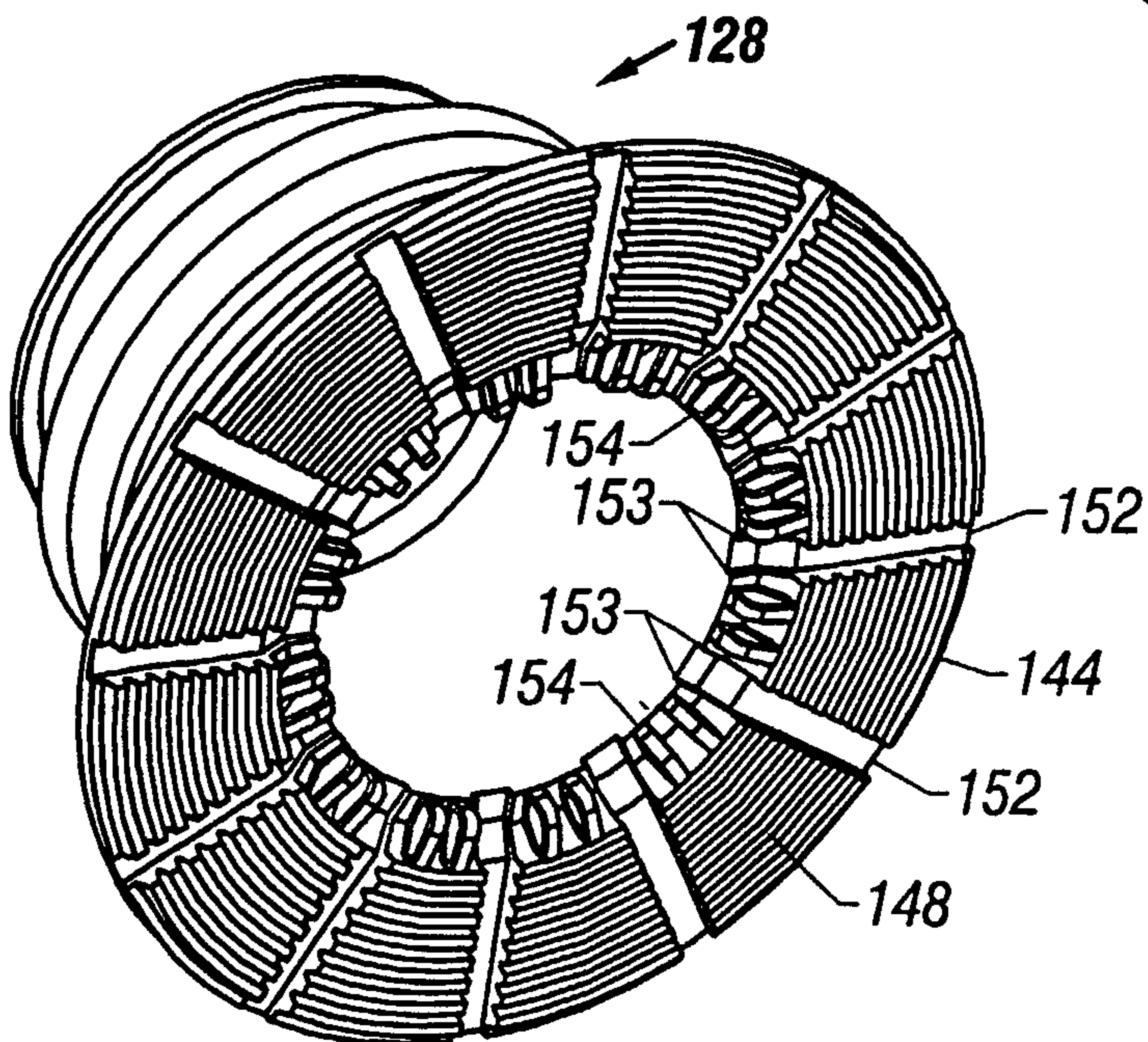


FIG. 2C

3/26

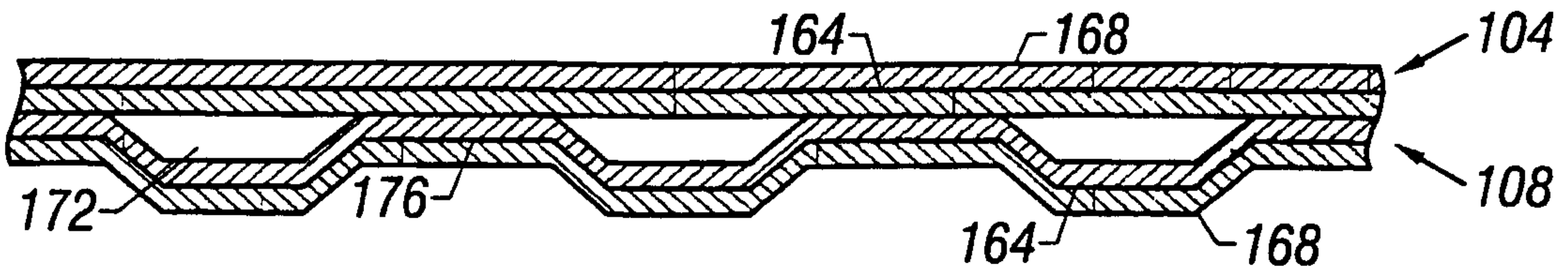


FIG 5

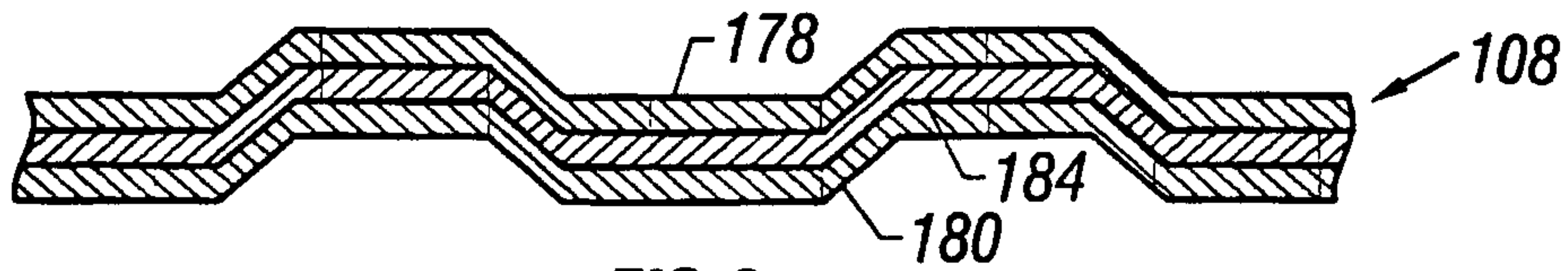


FIG 6

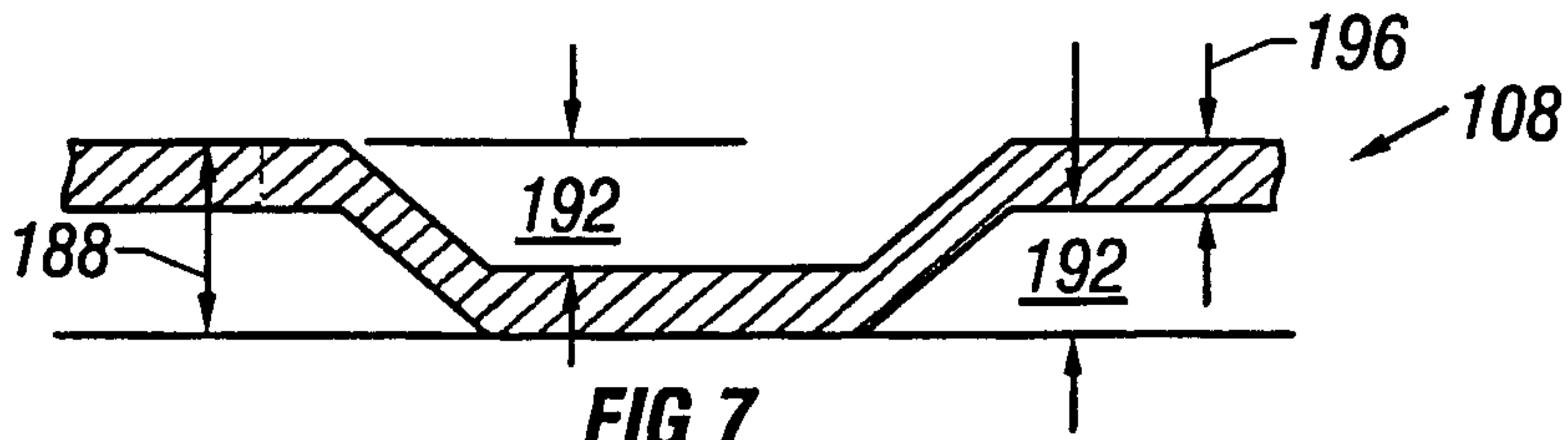


FIG 7

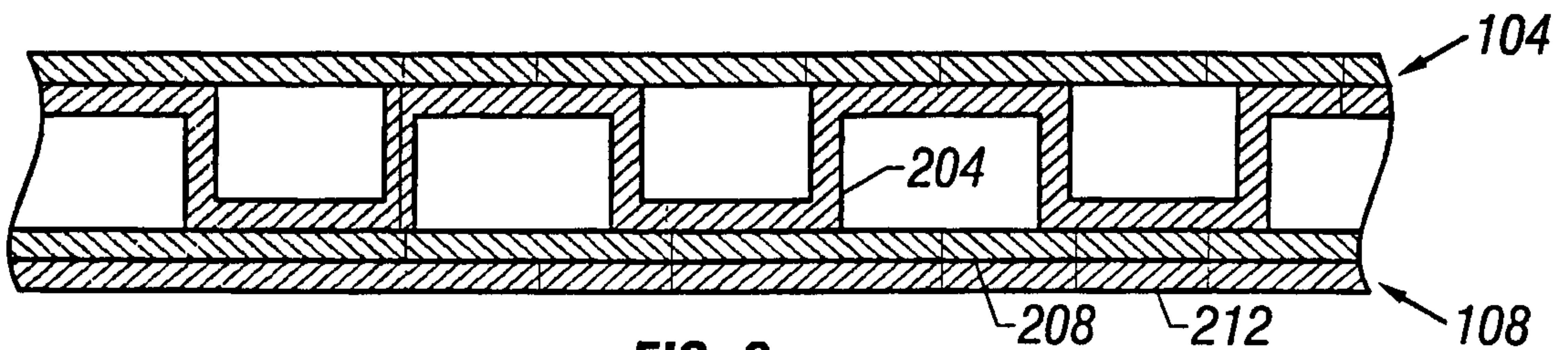


FIG. 8

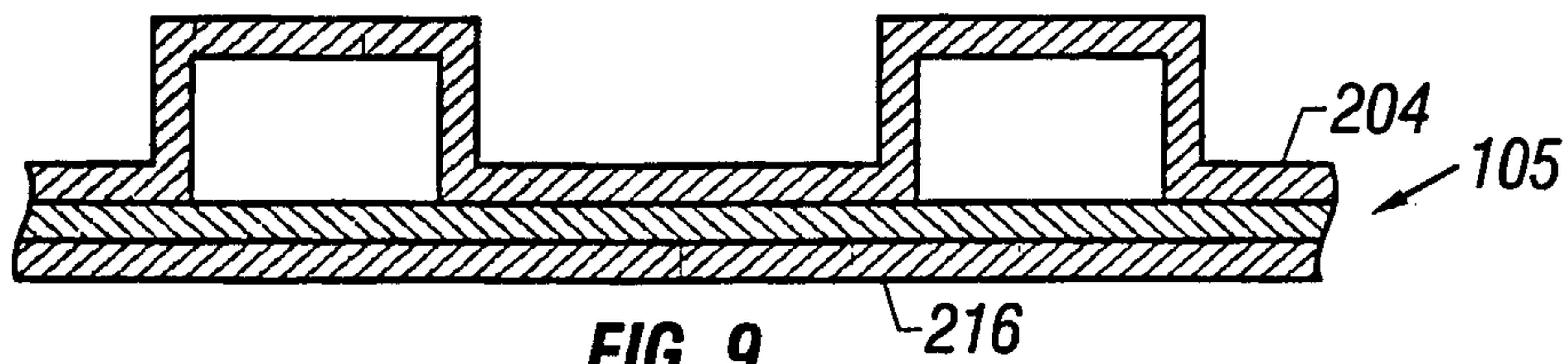


FIG. 9

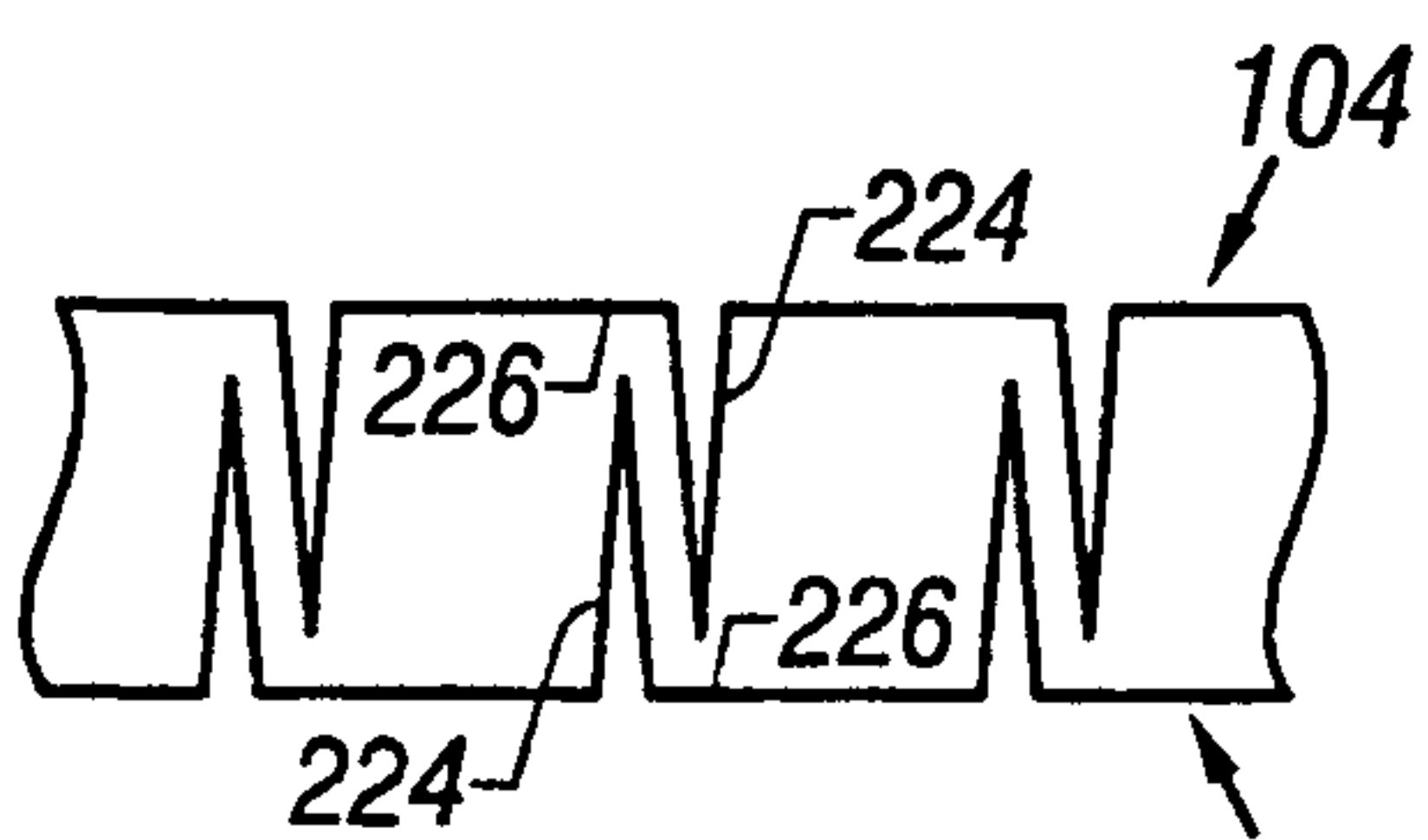


FIG. 10A

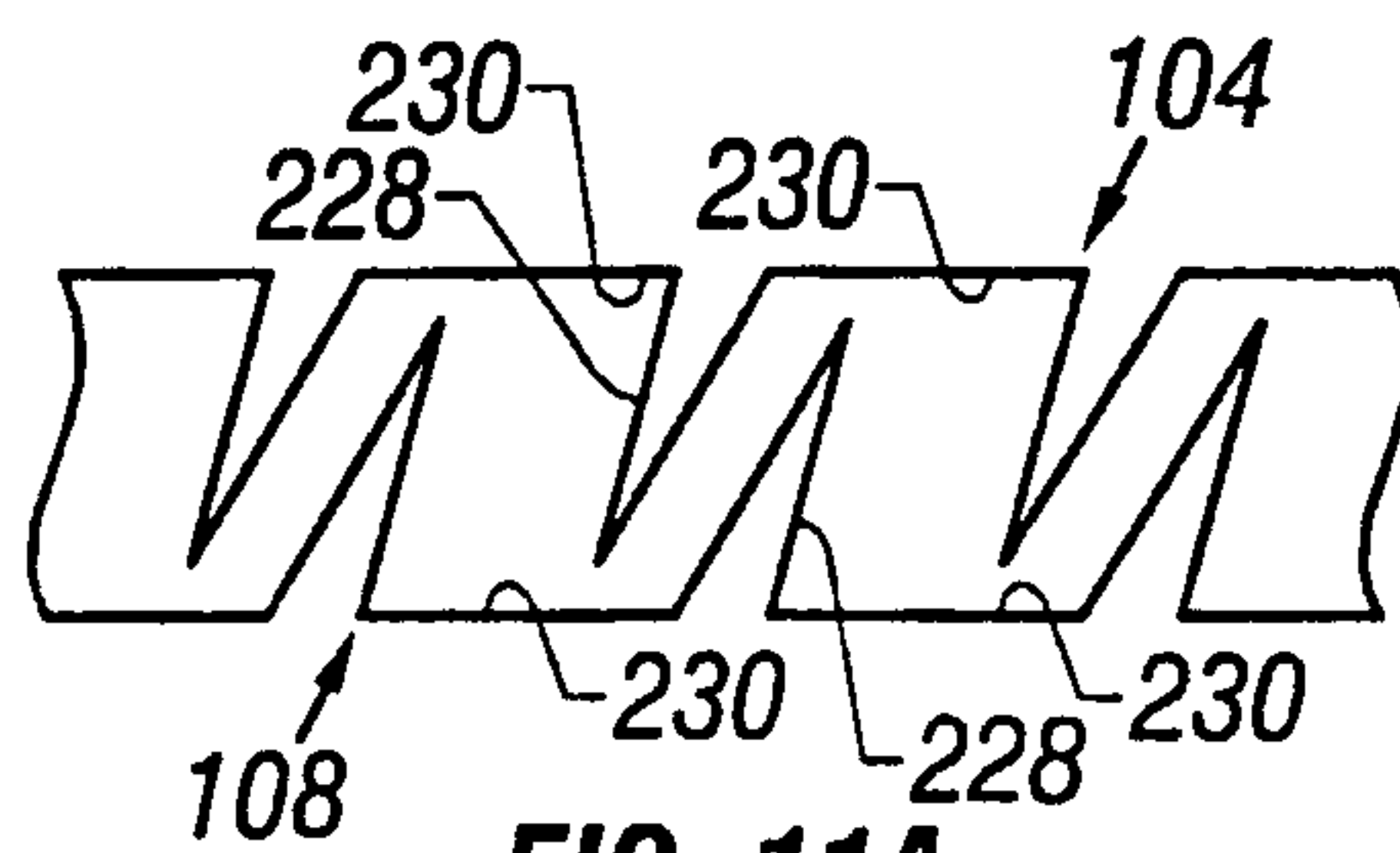


FIG. 11A

4/26

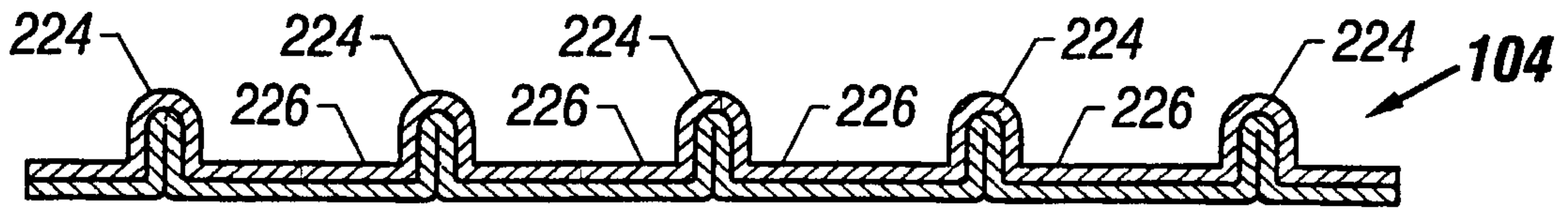


FIG. 10B

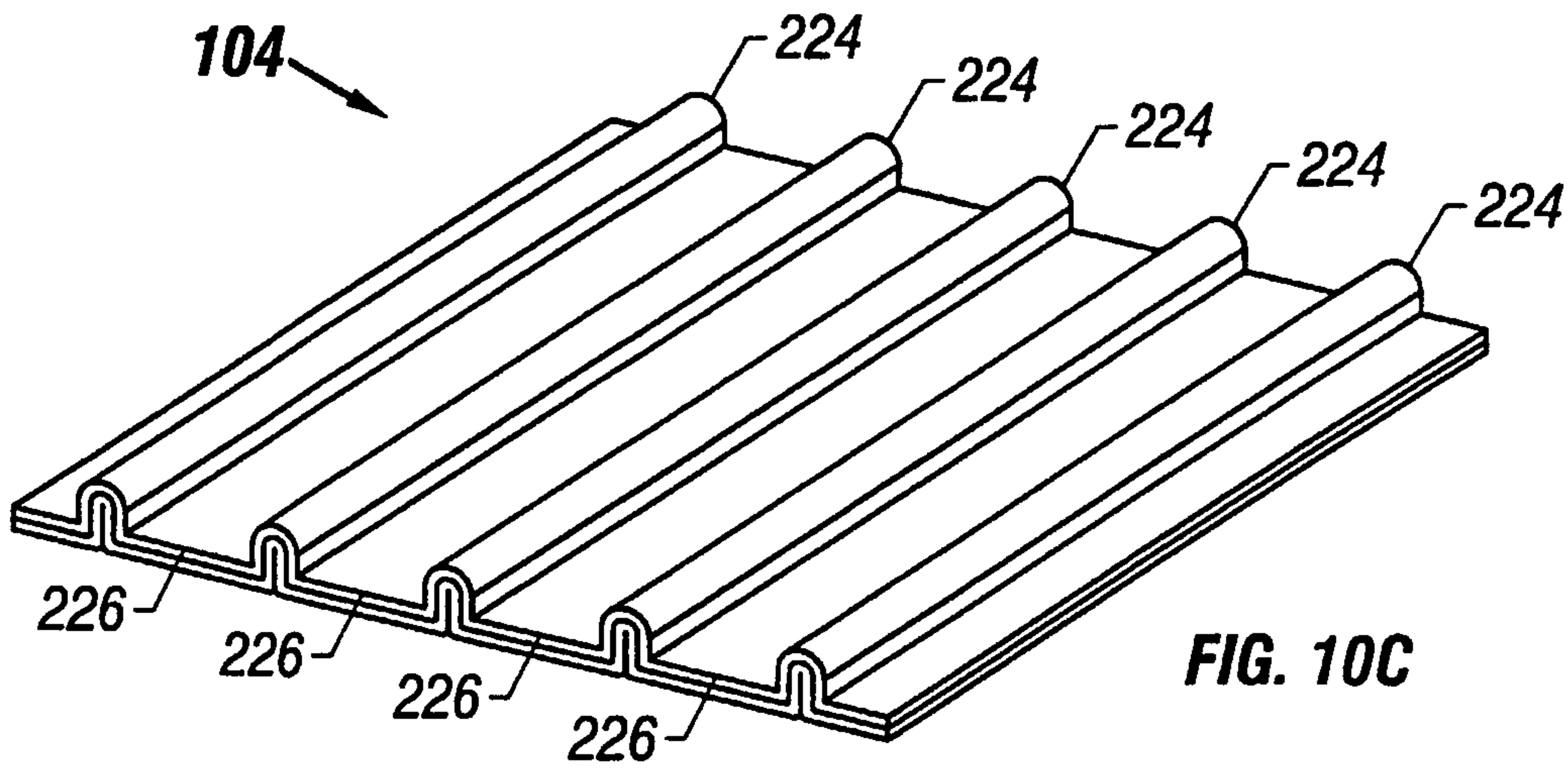


FIG. 10C

5/26

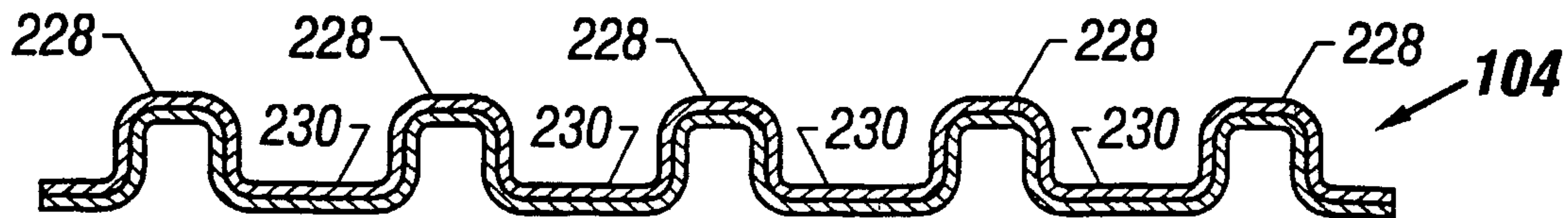


FIG. 11B

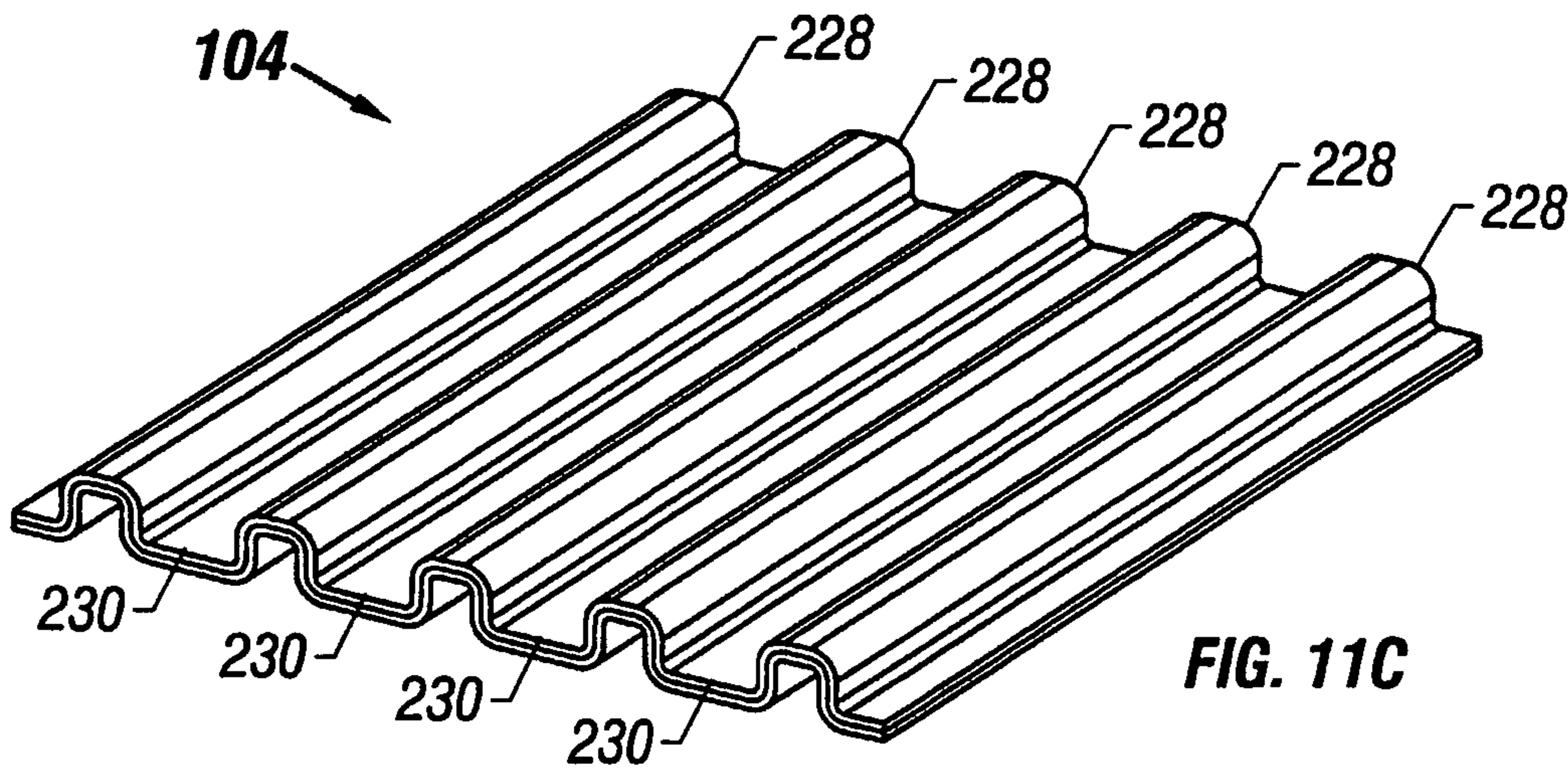


FIG. 11C

6/26

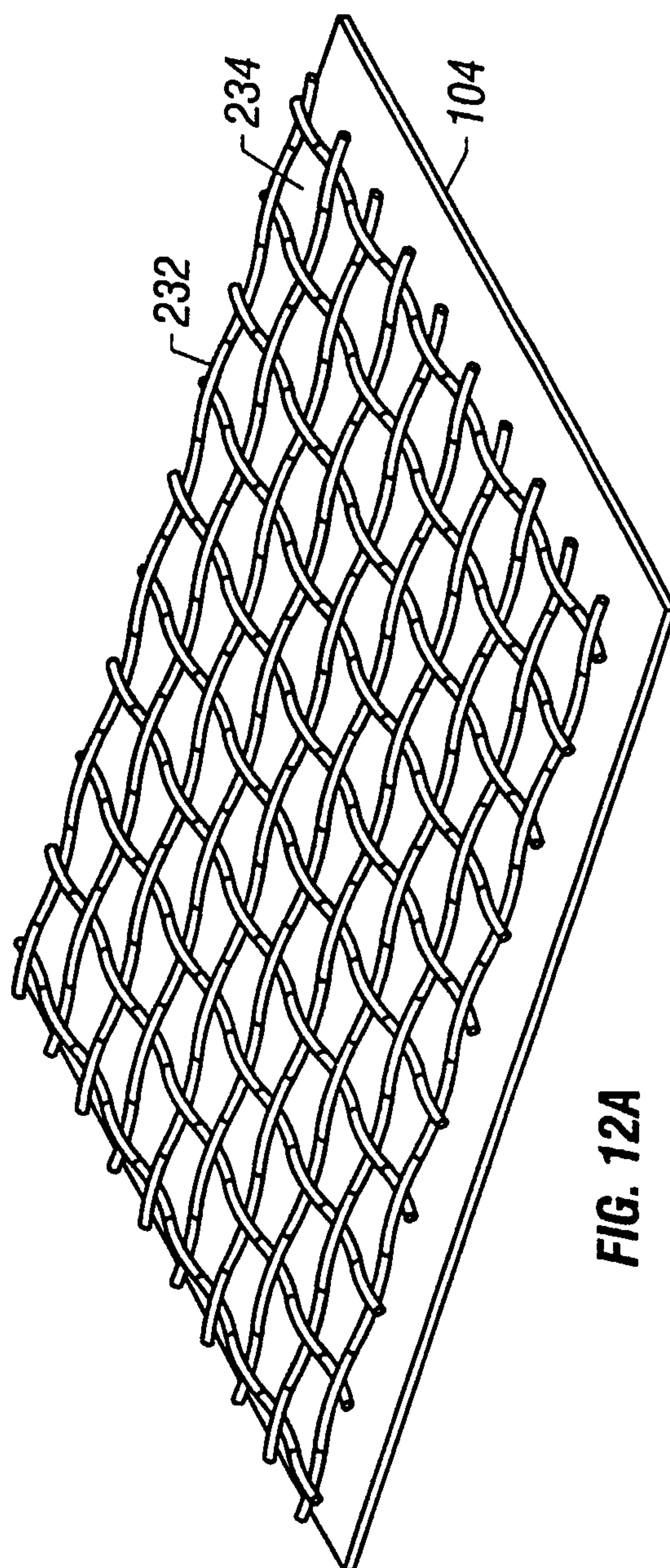


FIG. 12A

7/26

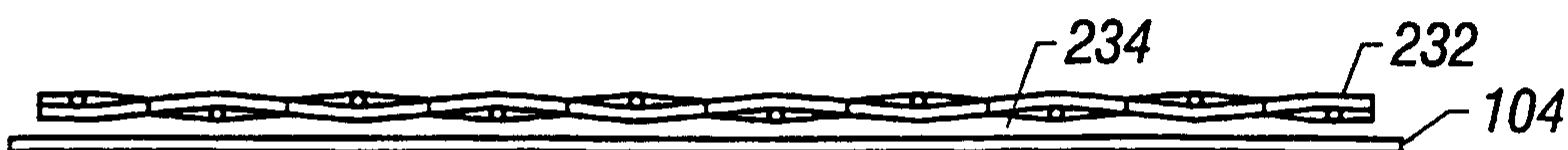


FIG. 12B

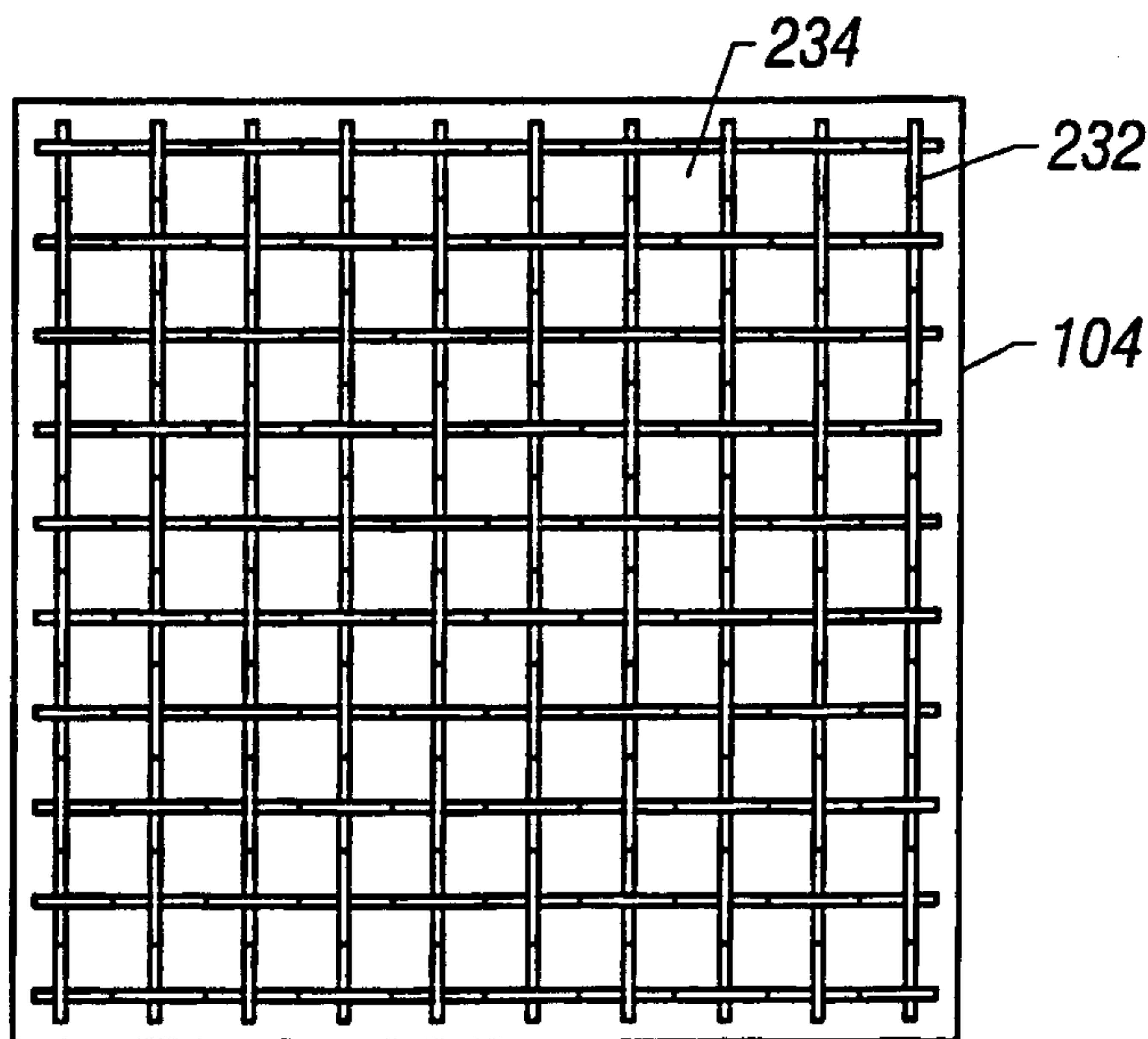


FIG. 12C

8/26

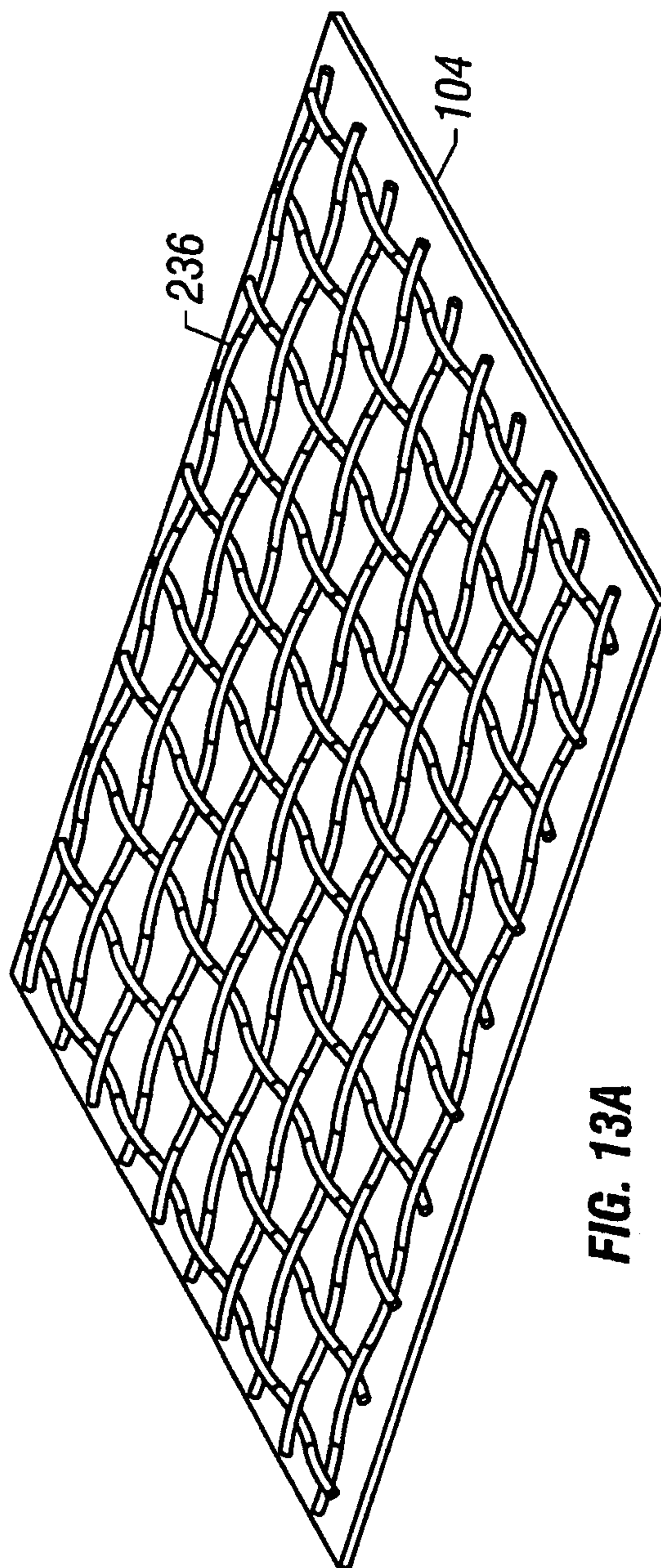


FIG. 13A

9/26



FIG. 13B

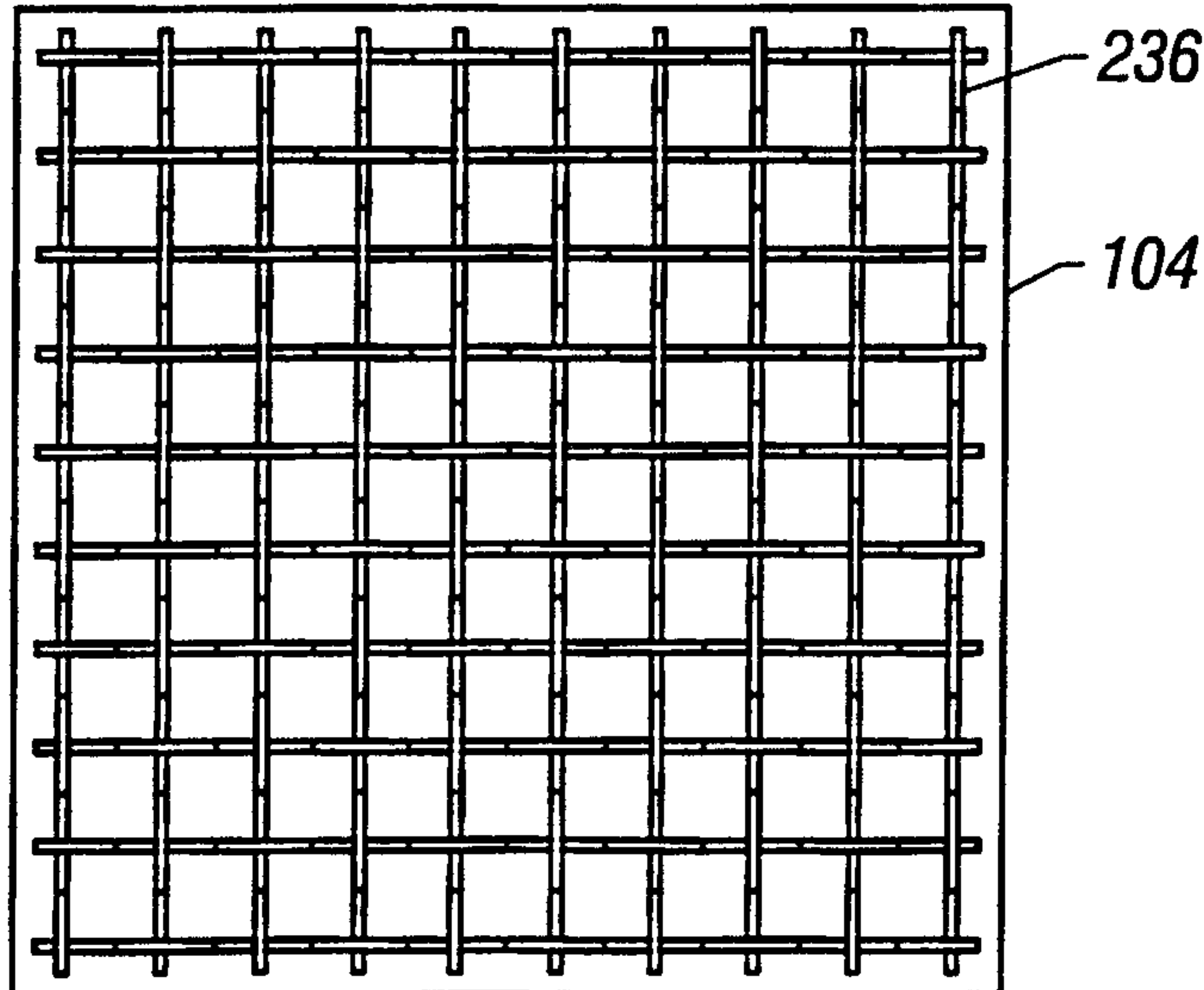


FIG. 13C

10/26

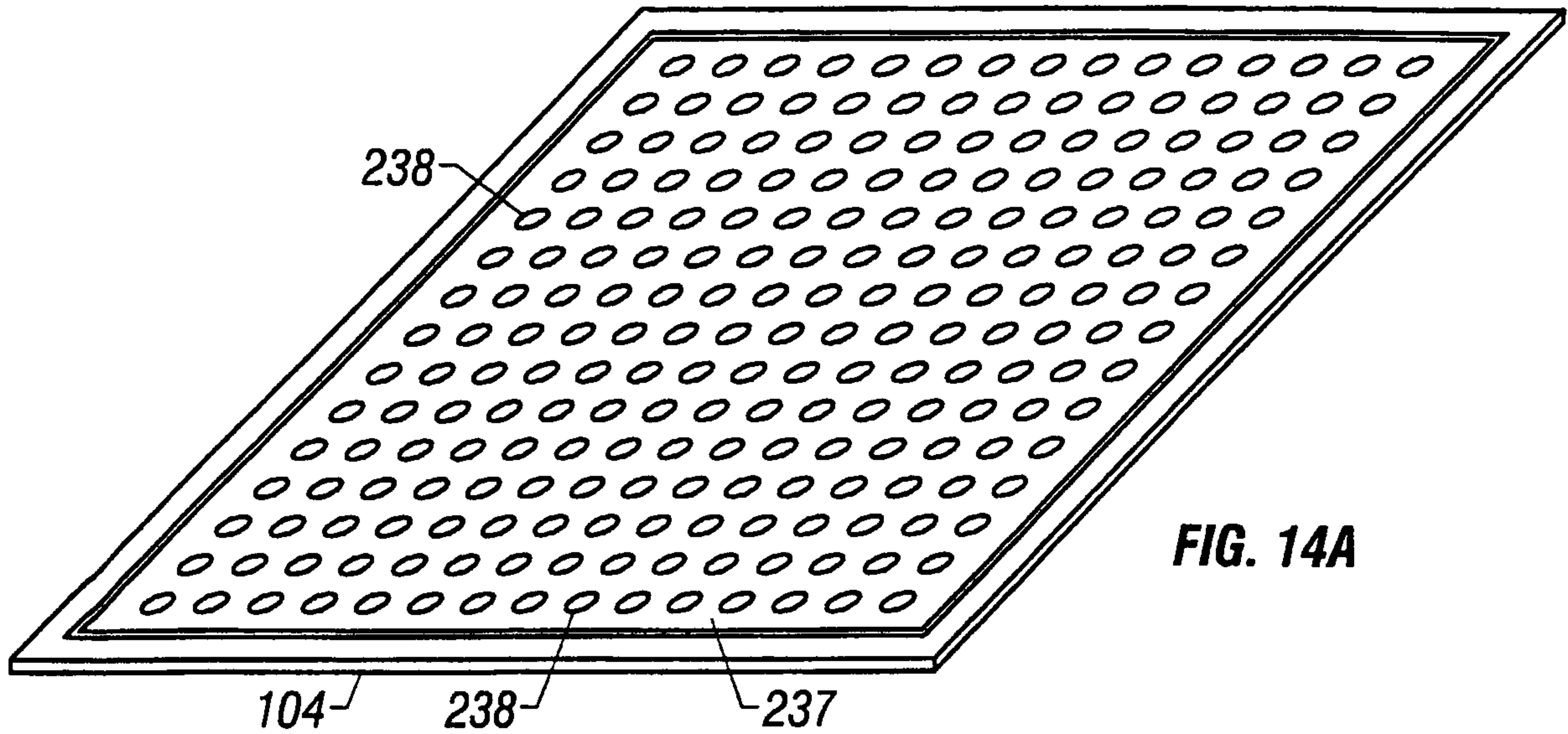


FIG. 14A

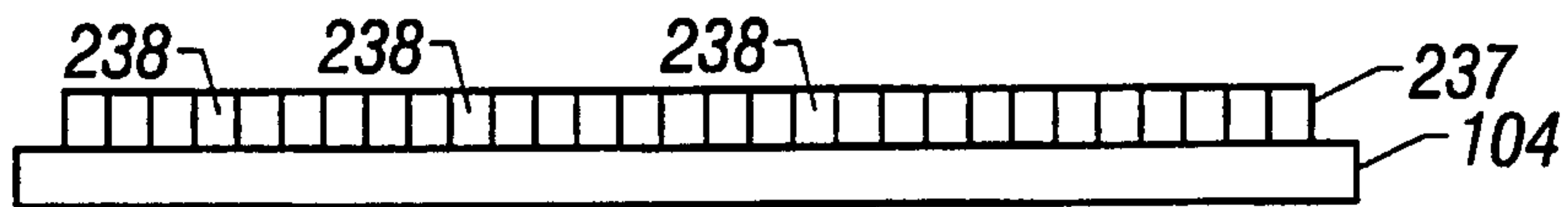


FIG. 14B

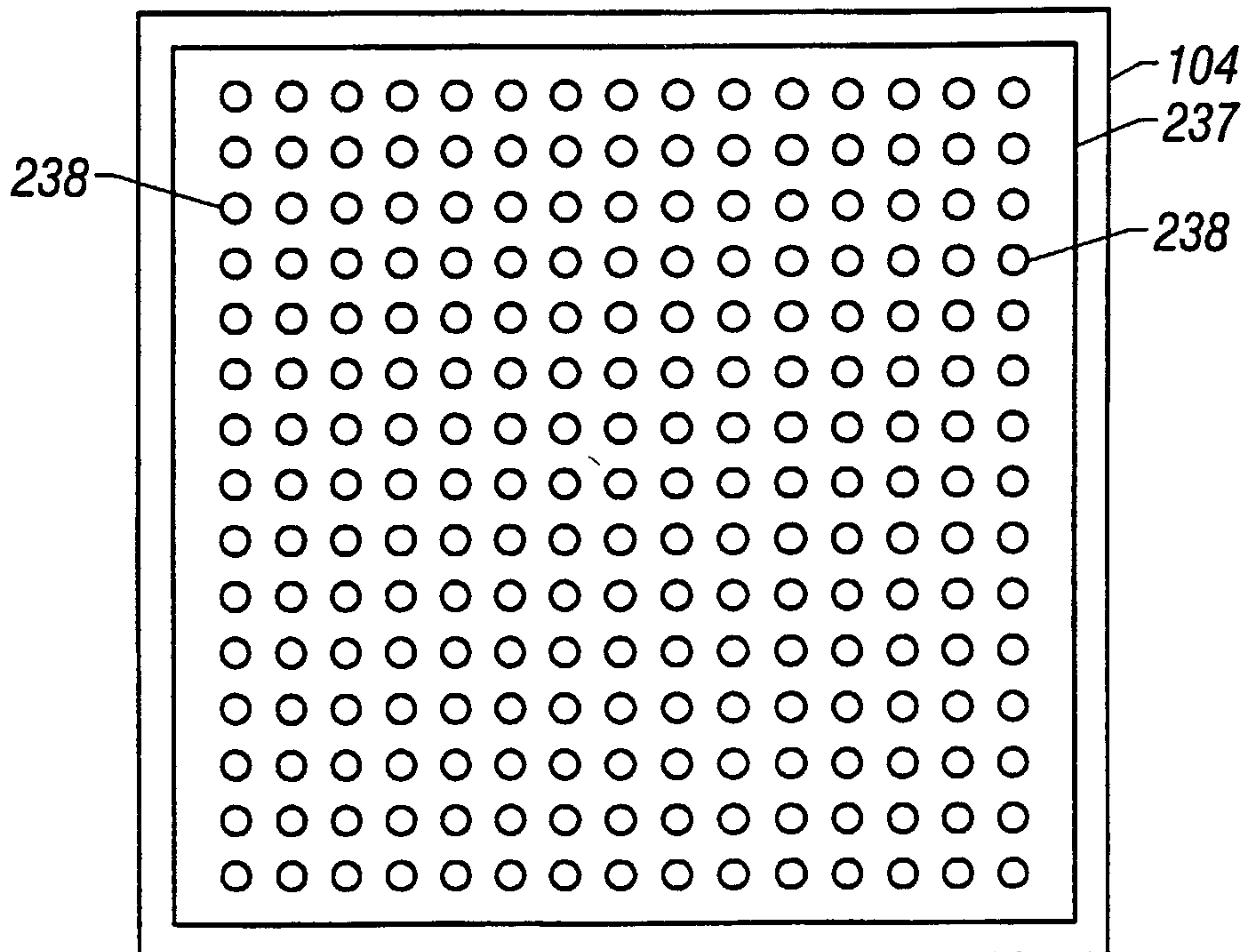


FIG. 14C

11/26

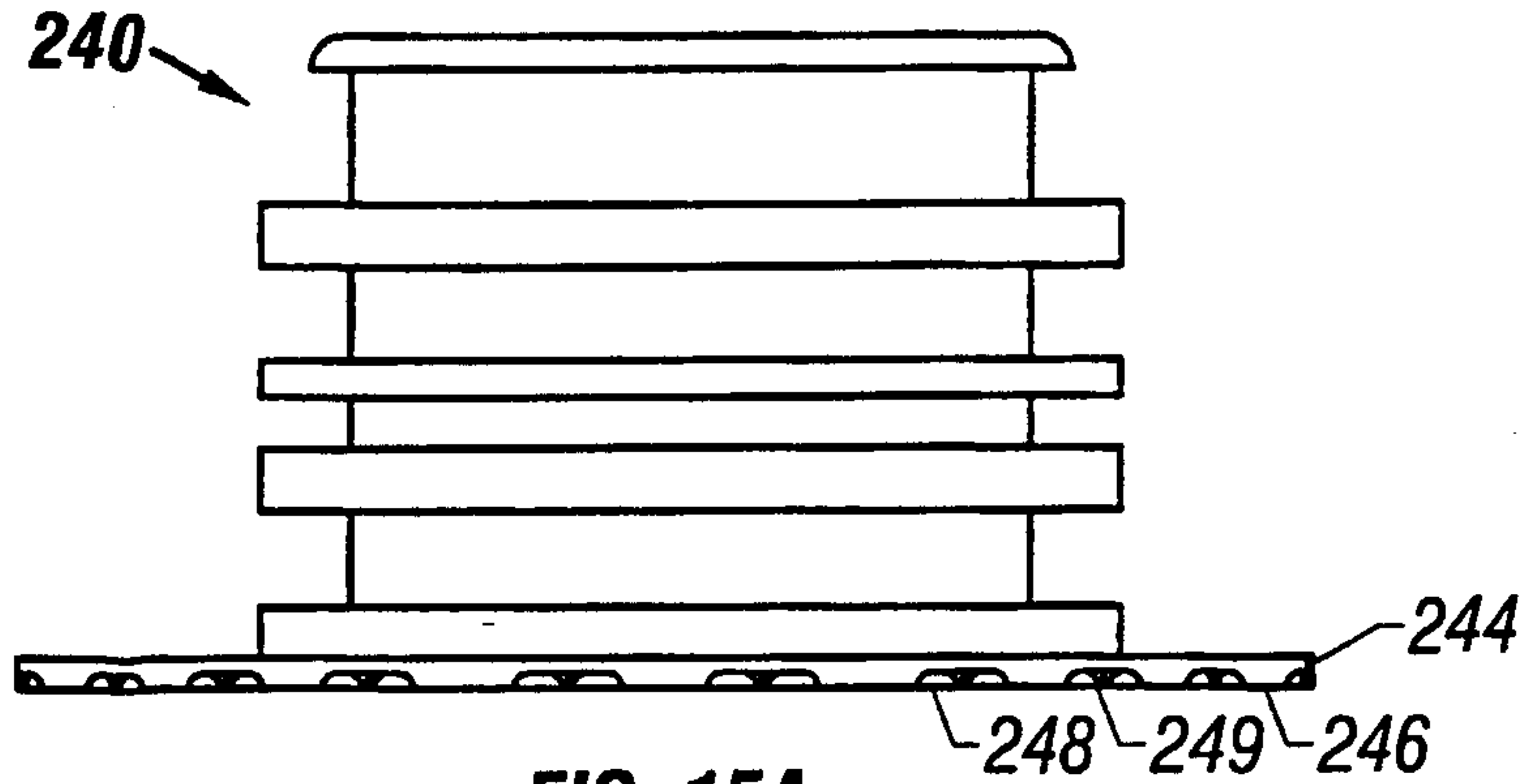


FIG. 15A

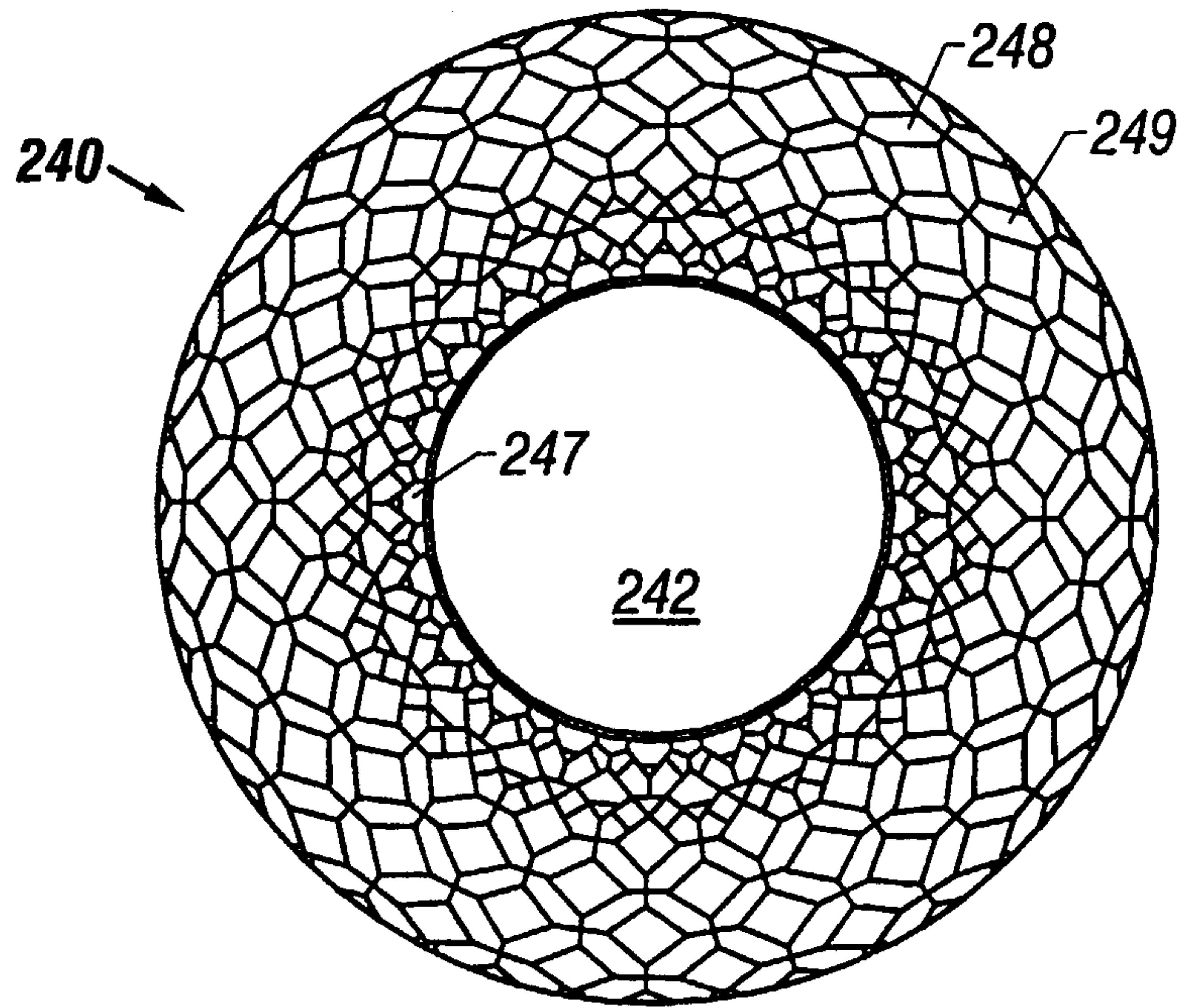


FIG. 15B

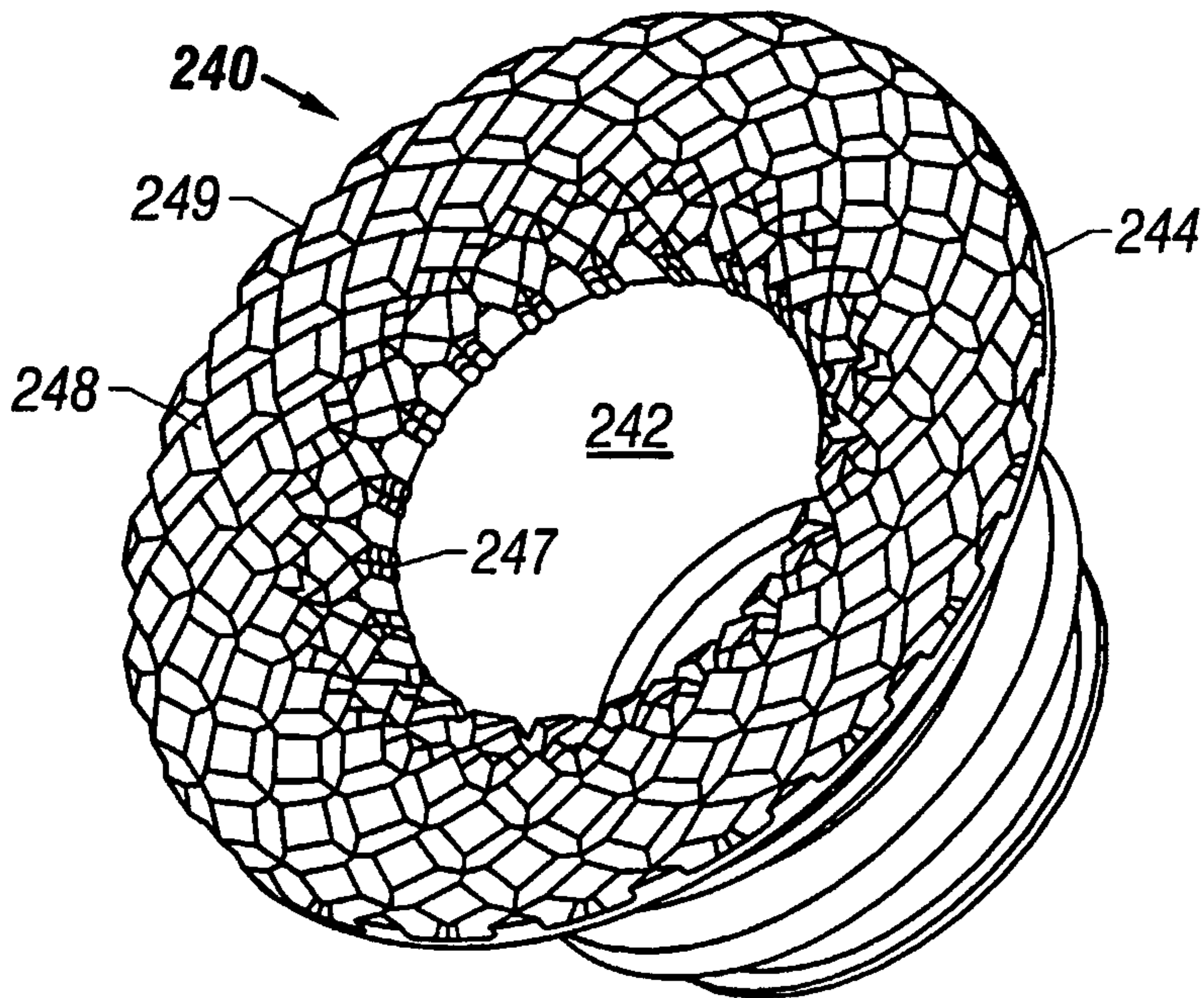
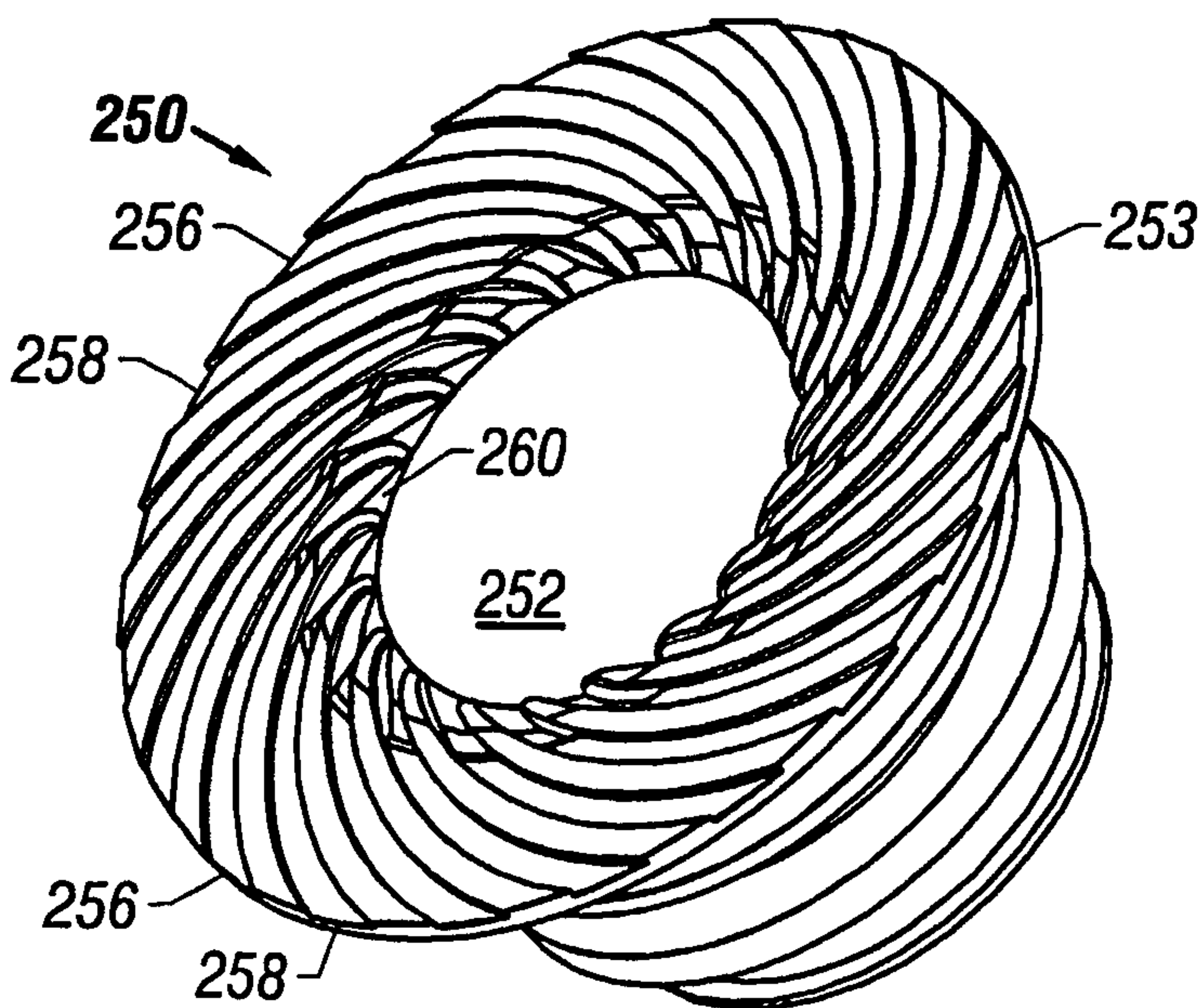
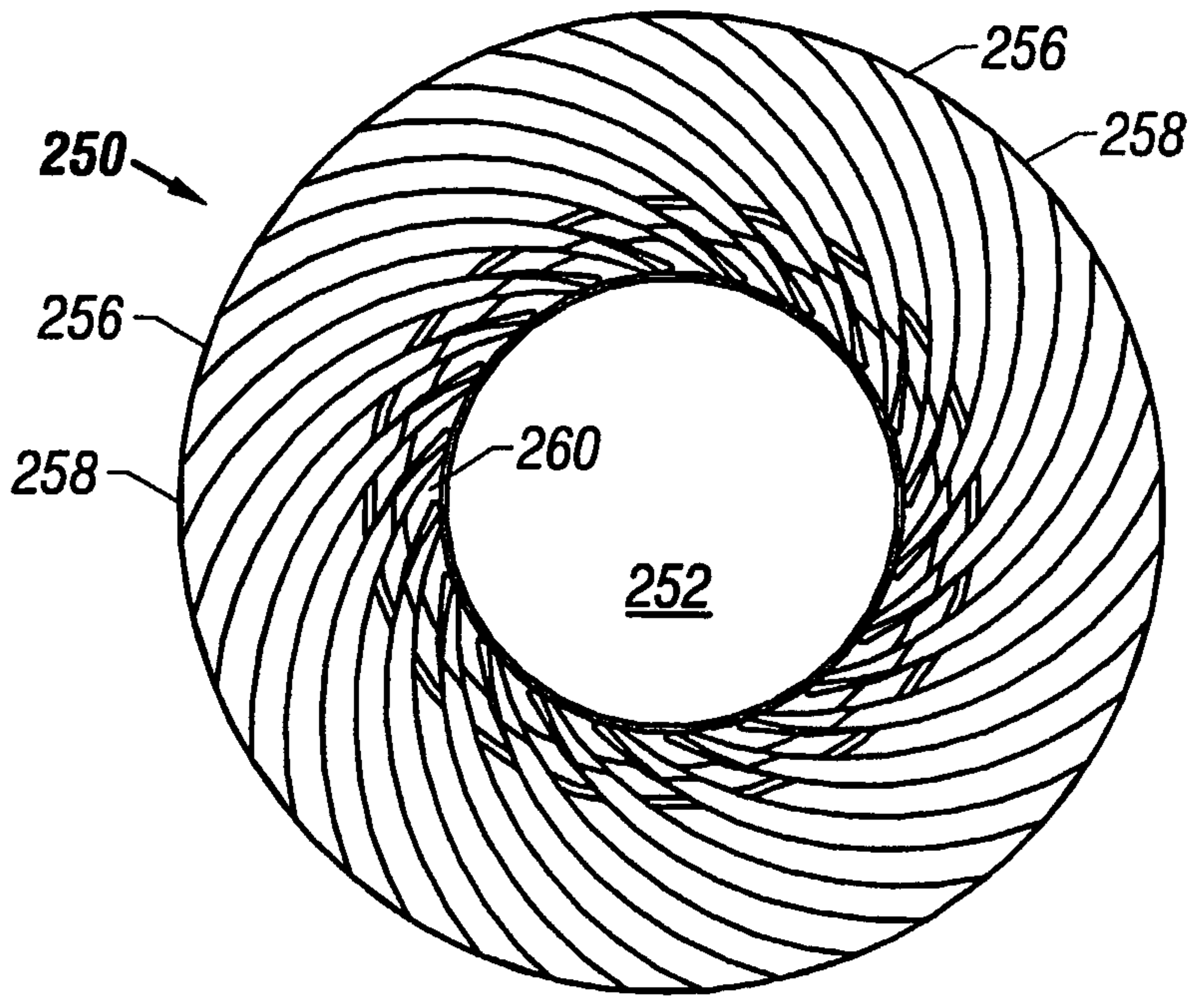
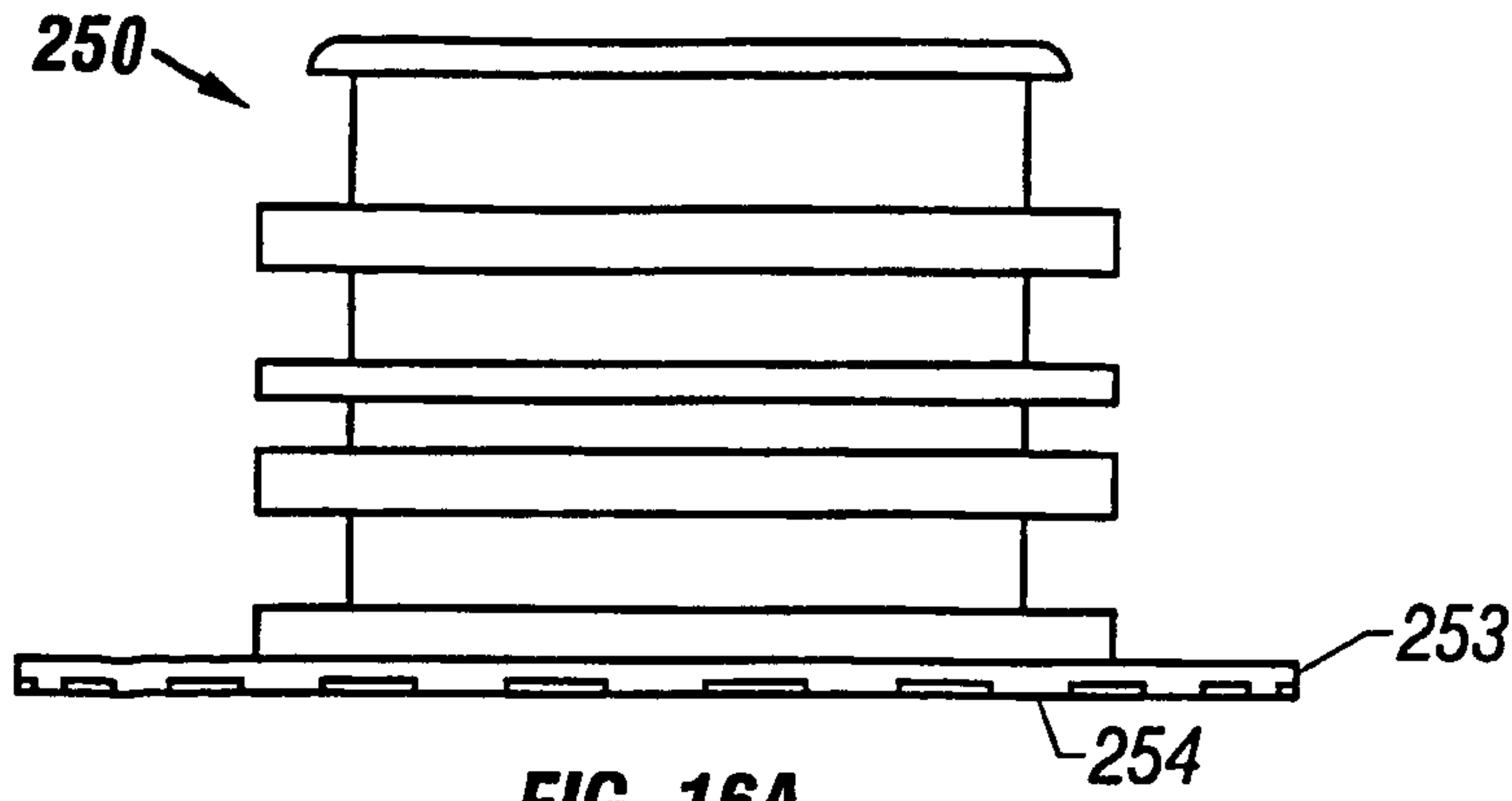


FIG. 15C

12/26



13/26

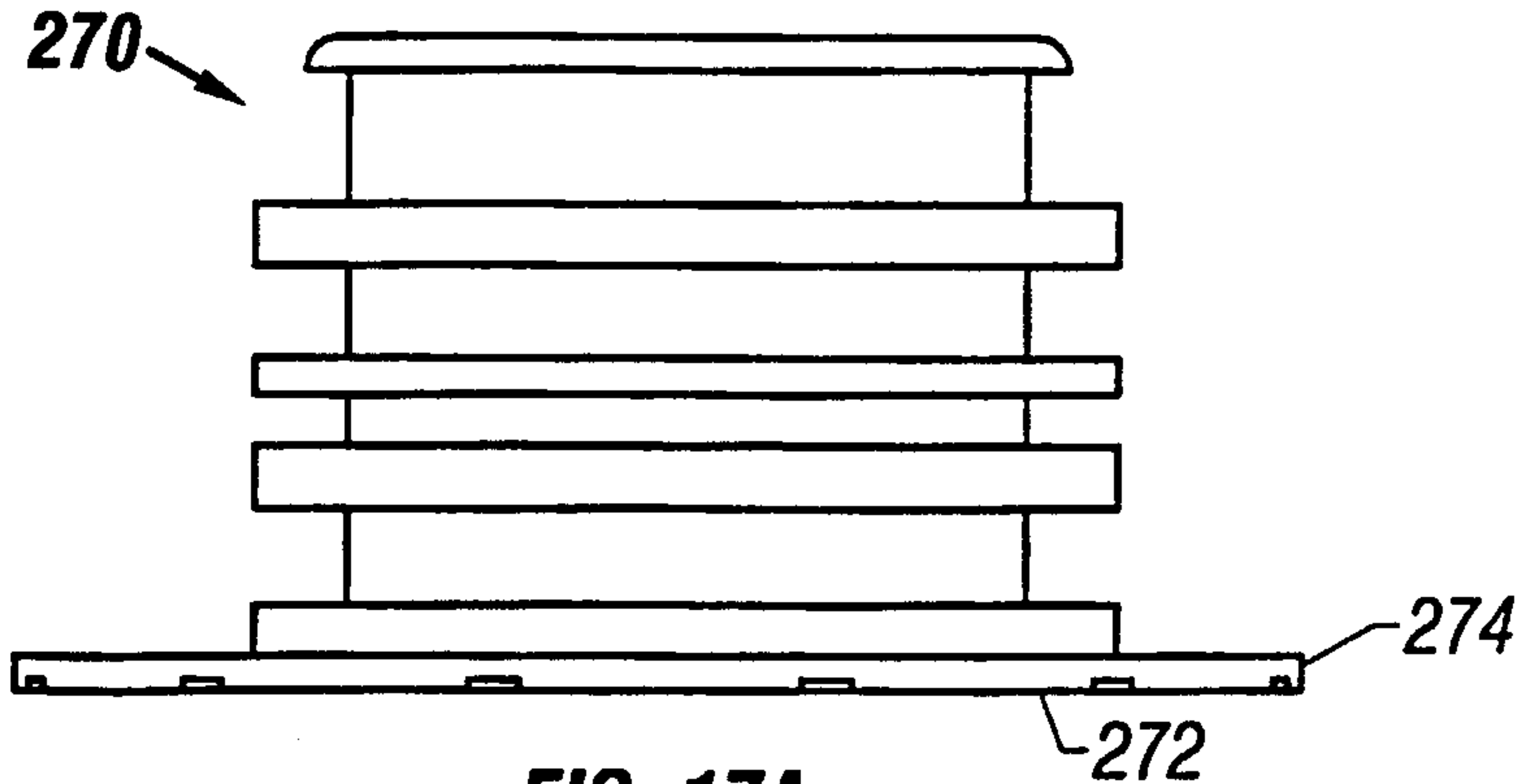


FIG. 17A

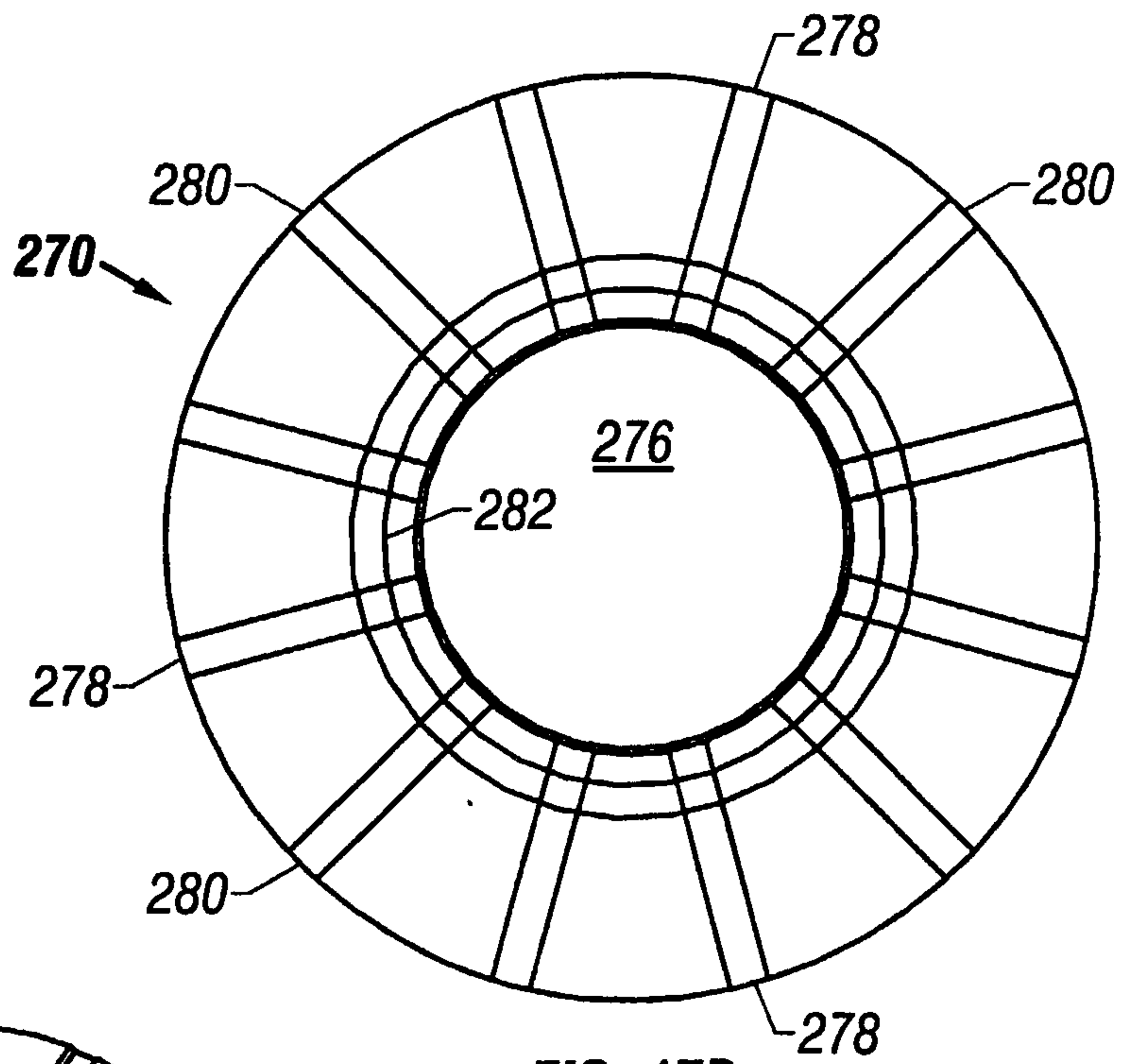


FIG. 17B

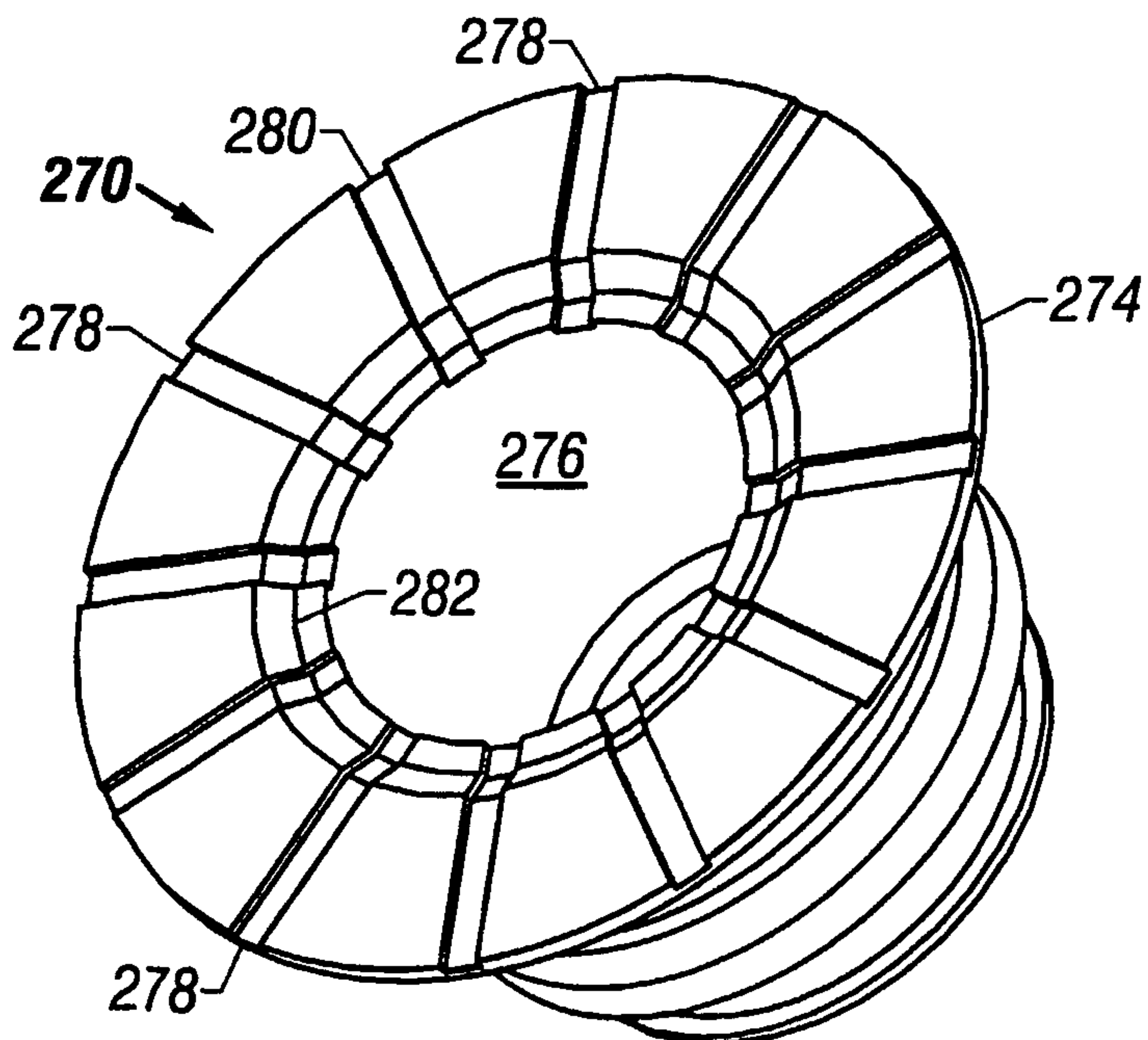


FIG. 17C

14/26

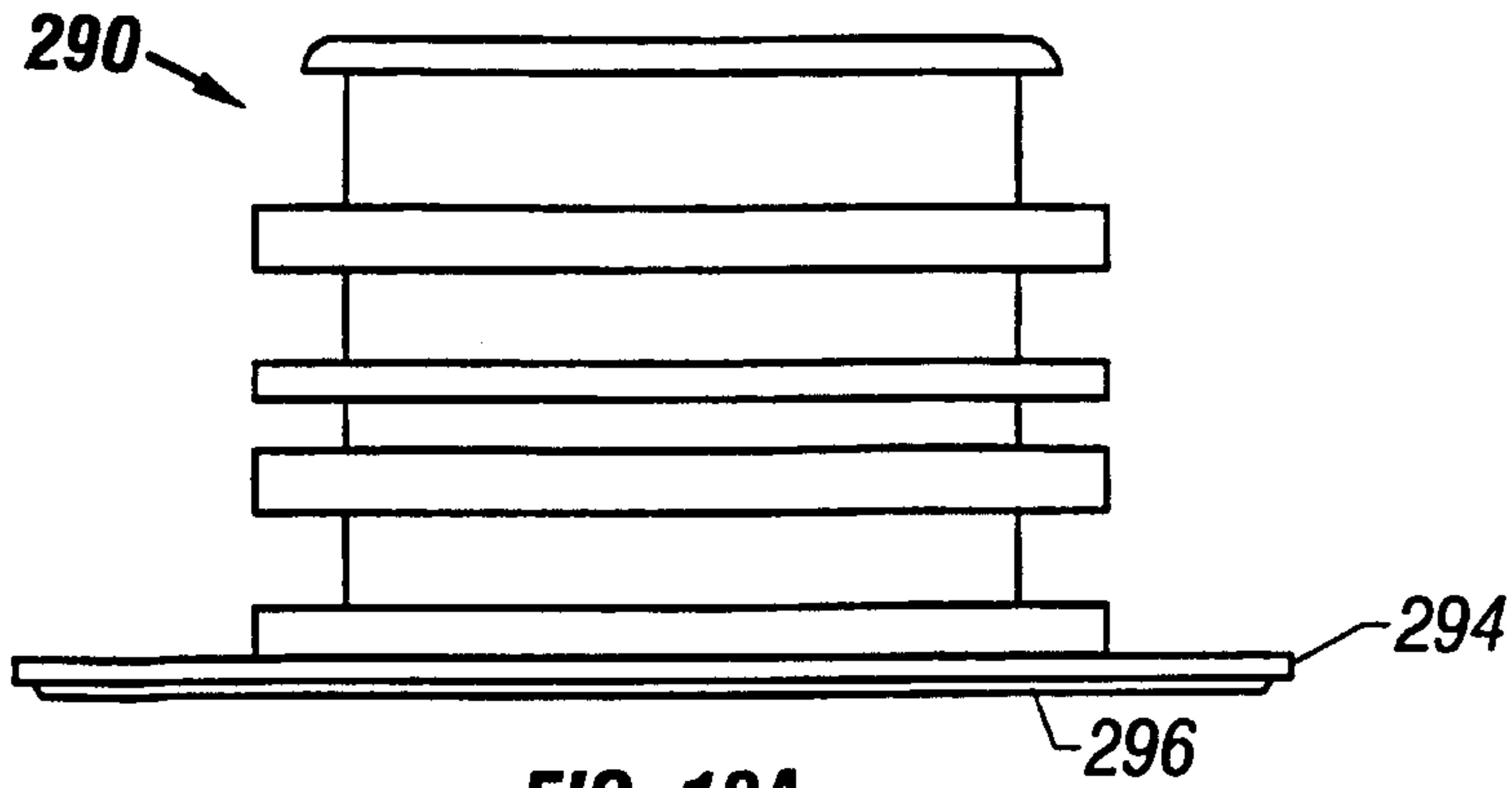


FIG. 18A

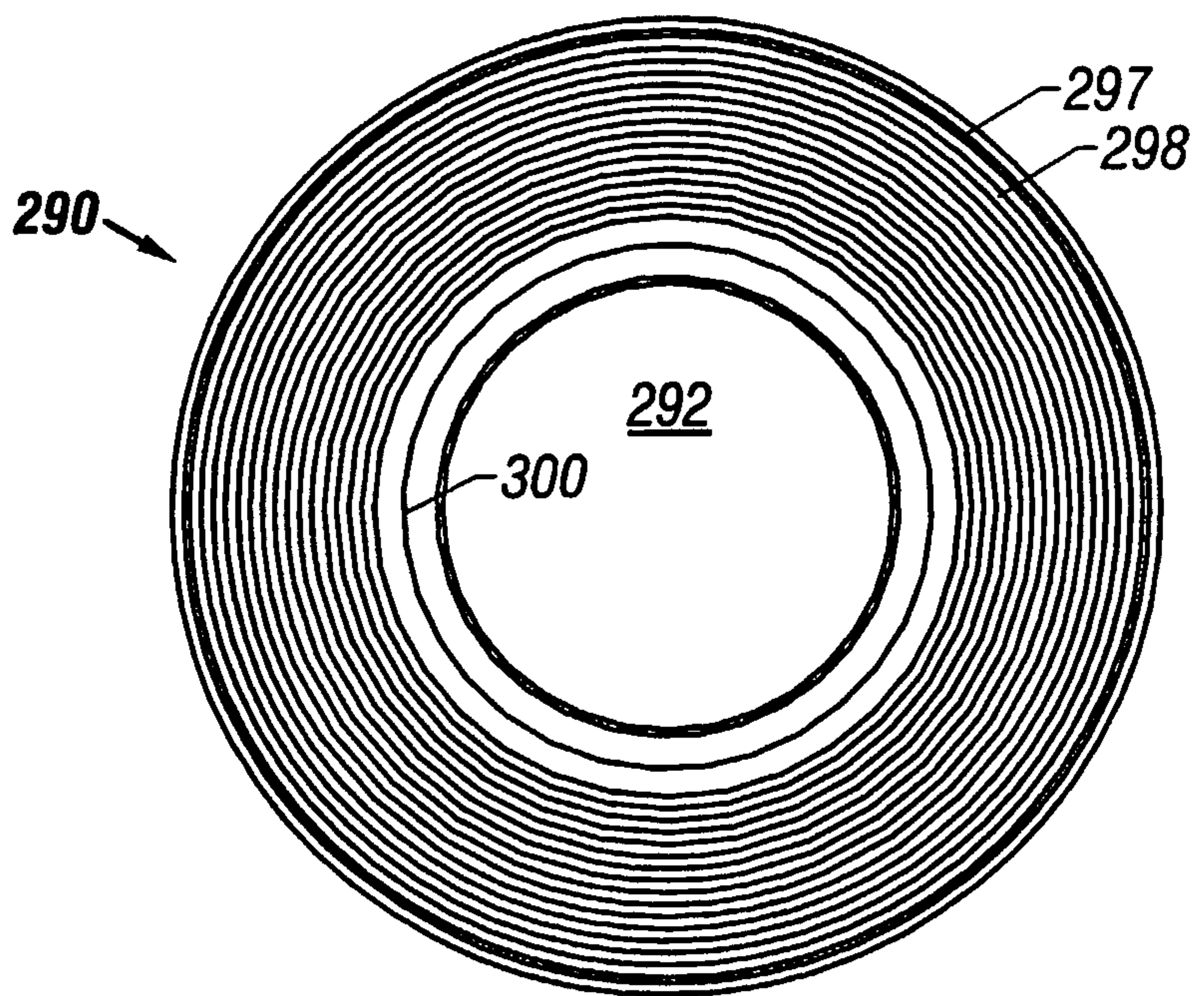


FIG. 18B

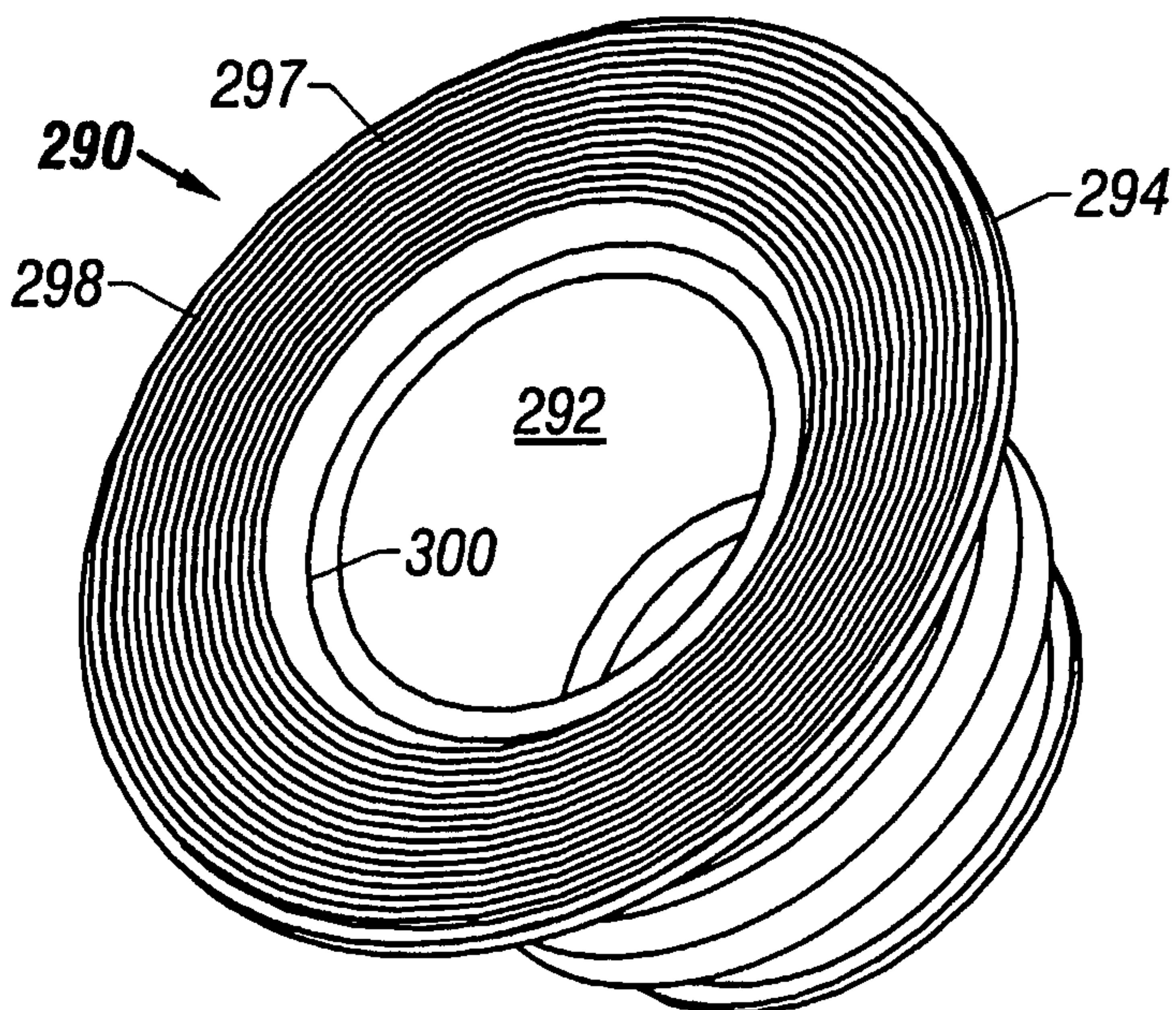


FIG. 18C

15/26

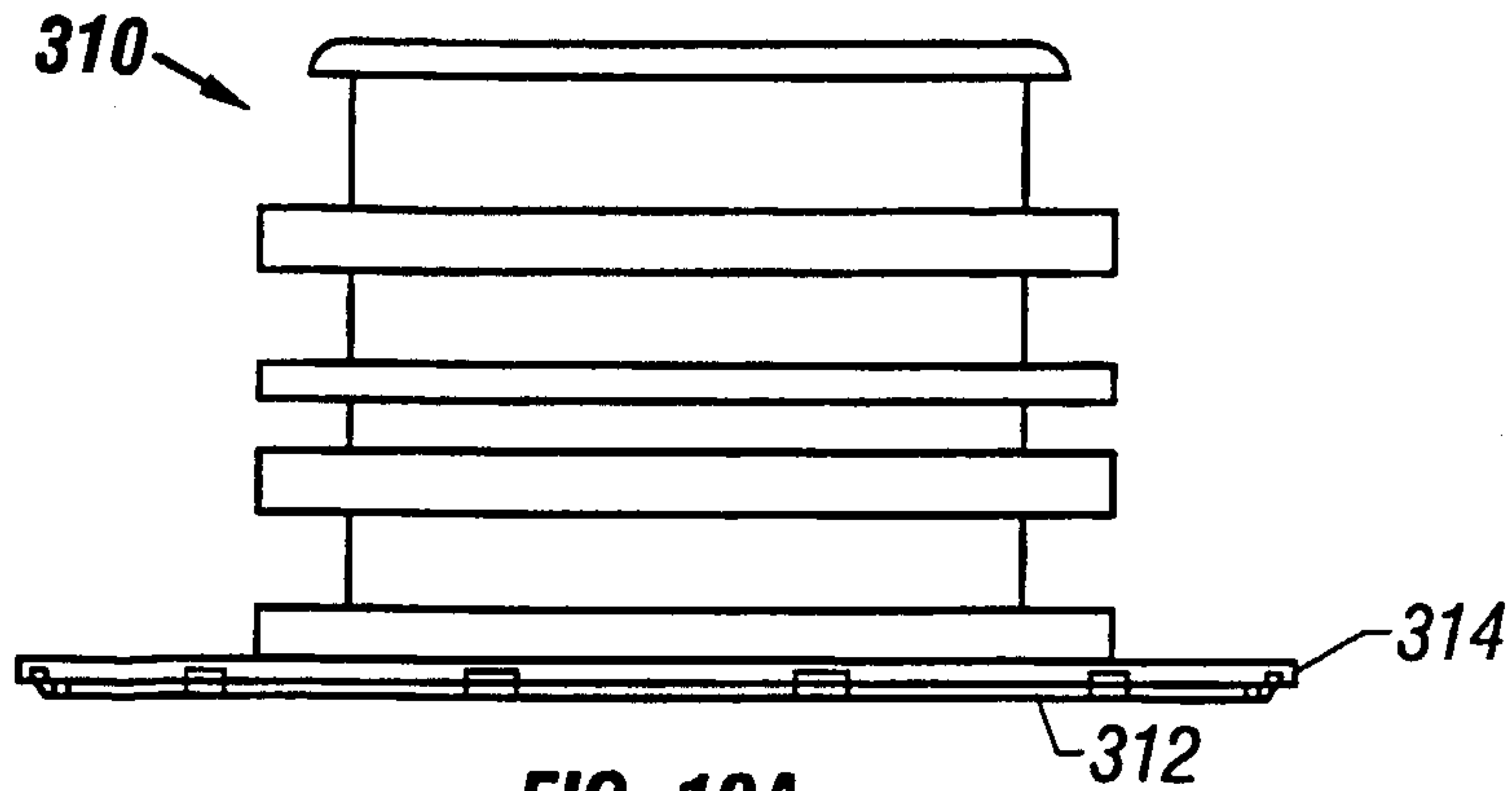


FIG. 19A

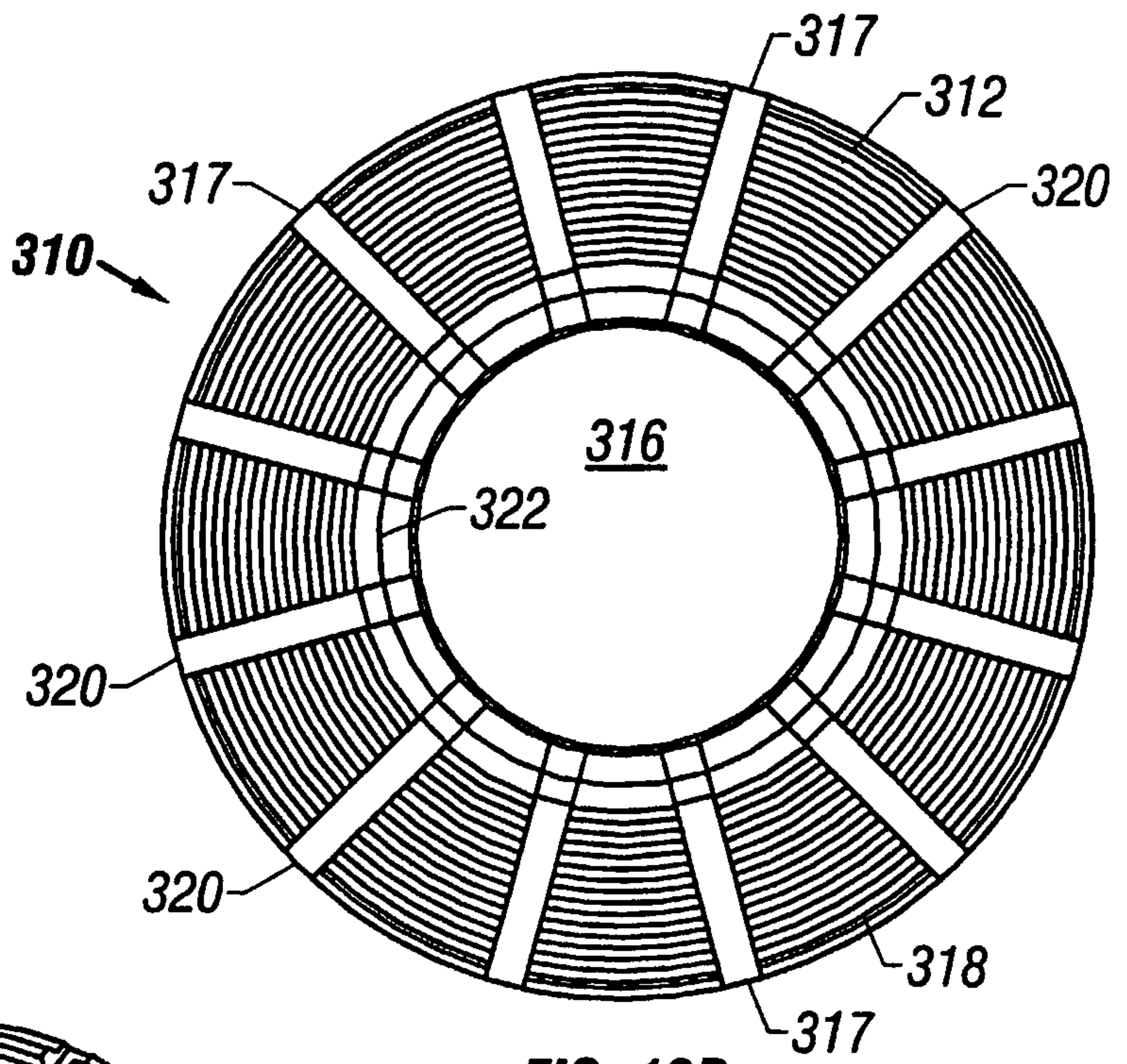


FIG. 19B

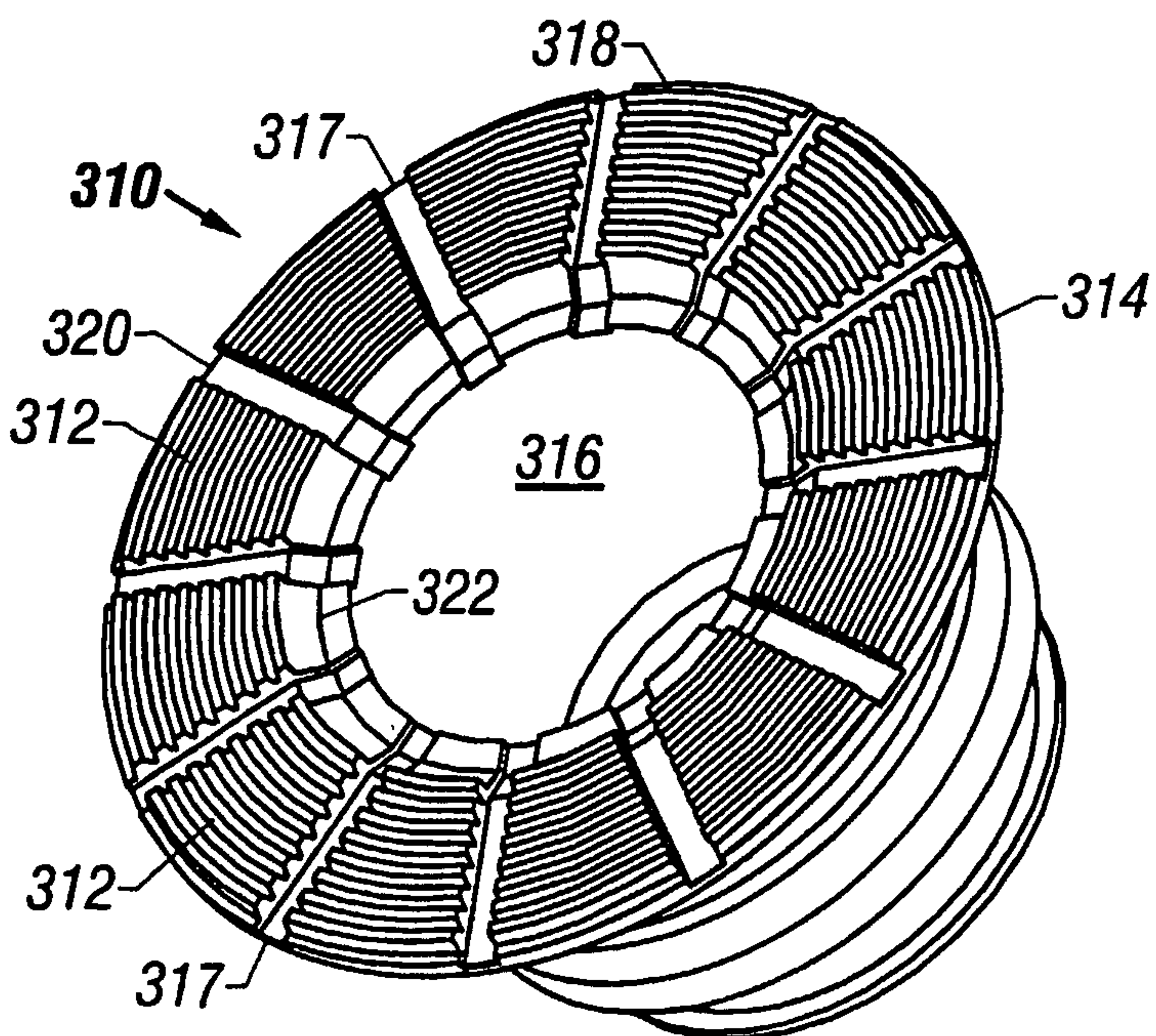


FIG. 19C

16/26

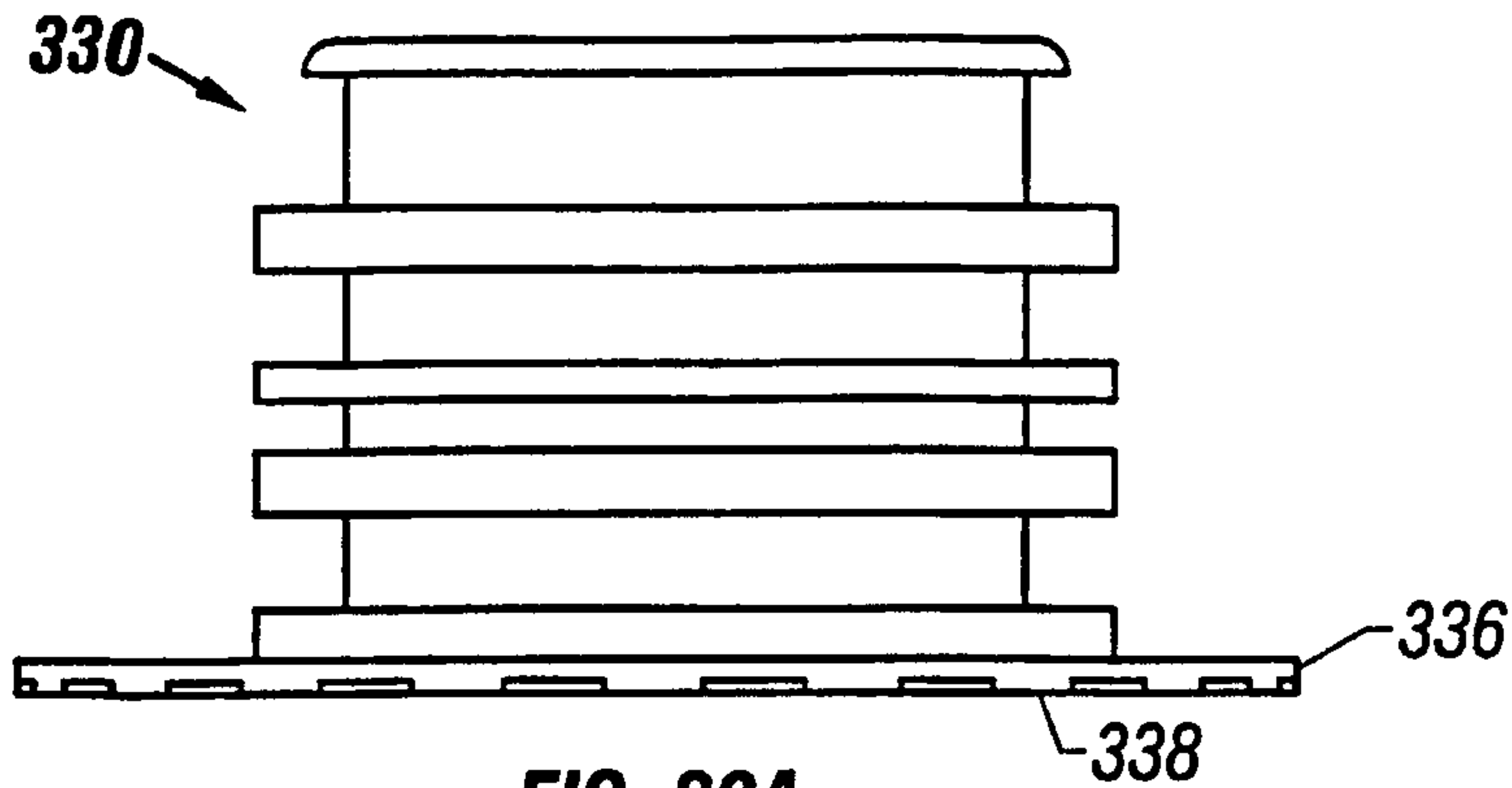


FIG. 20A

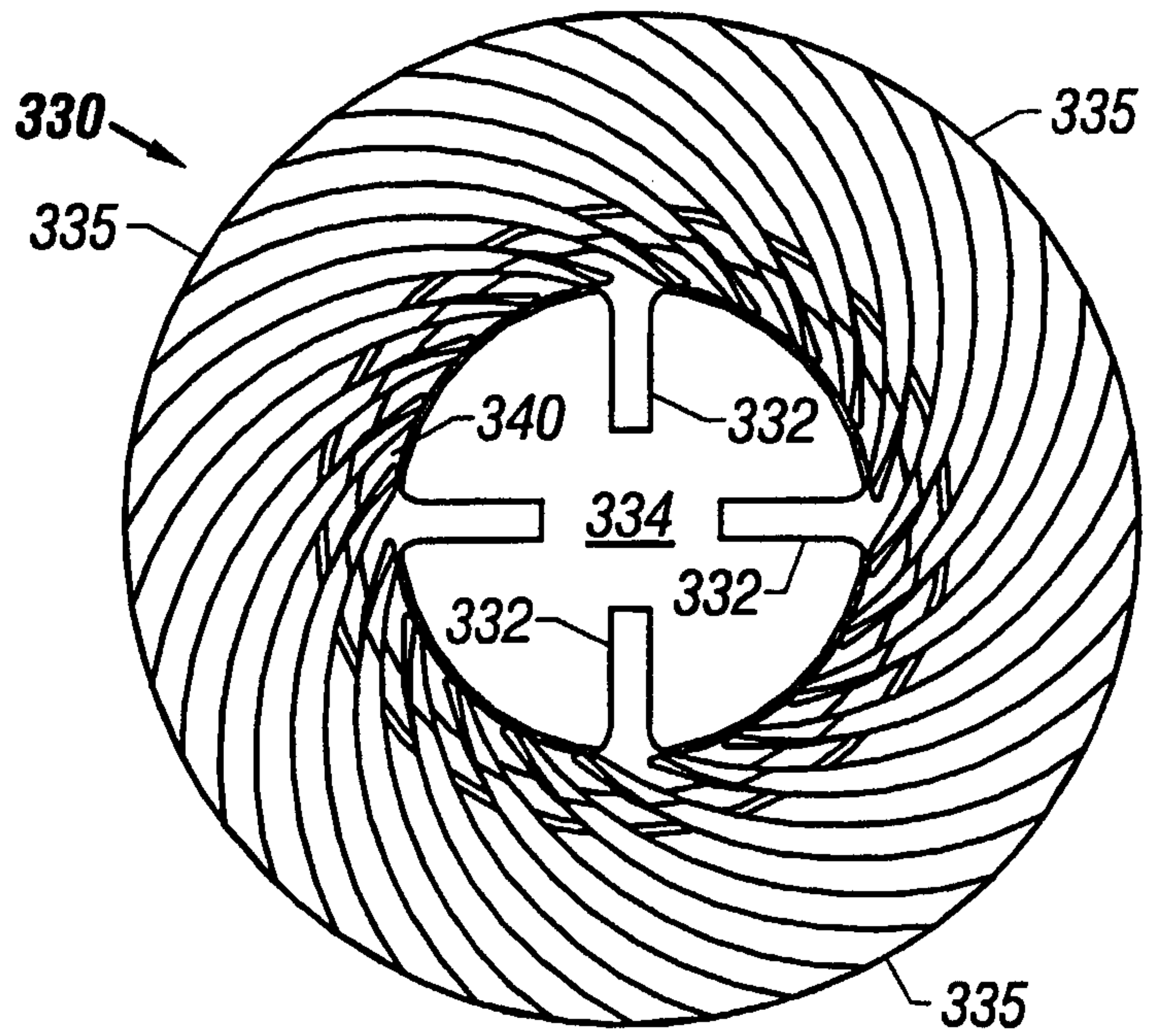


FIG. 20B

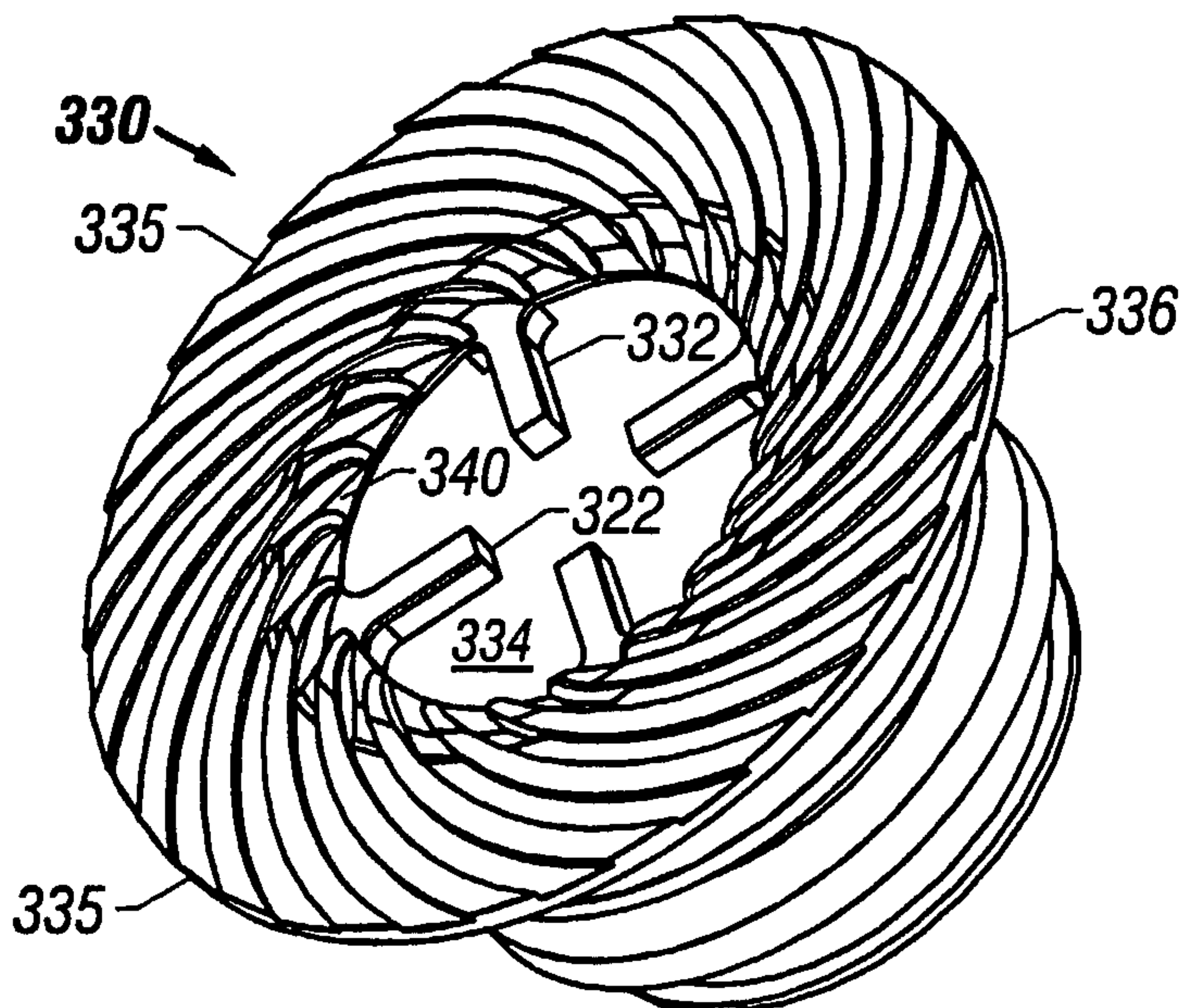
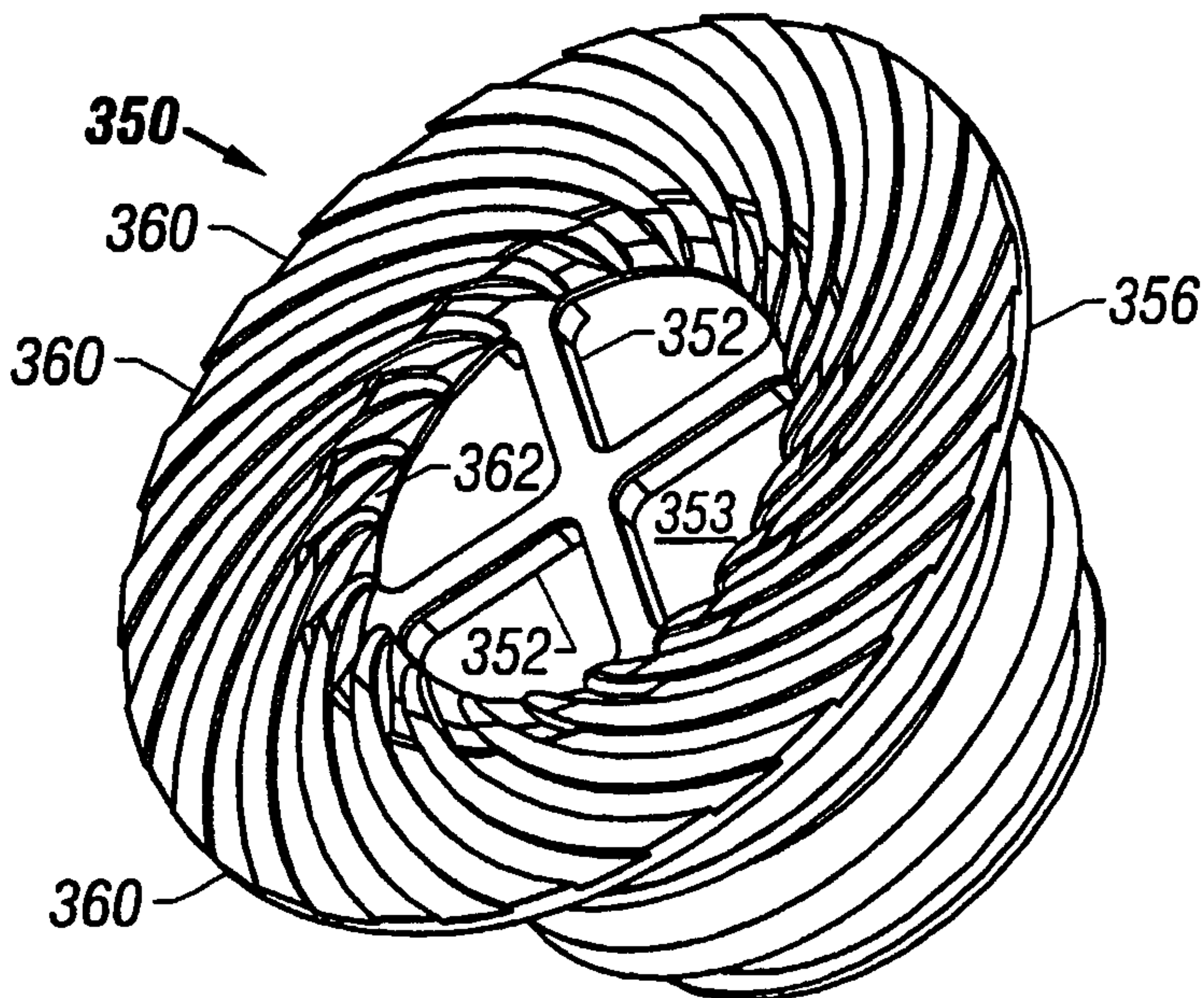
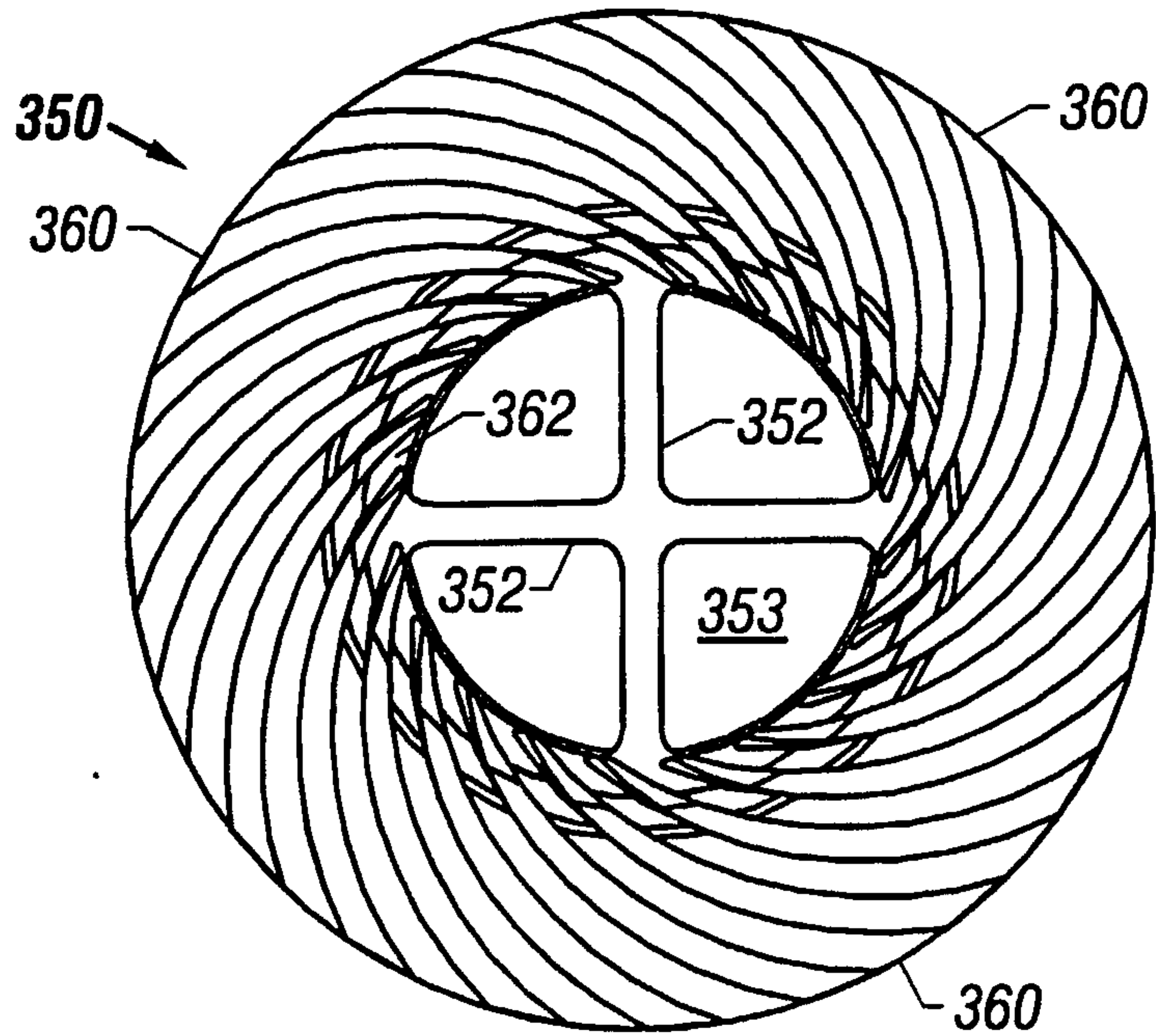
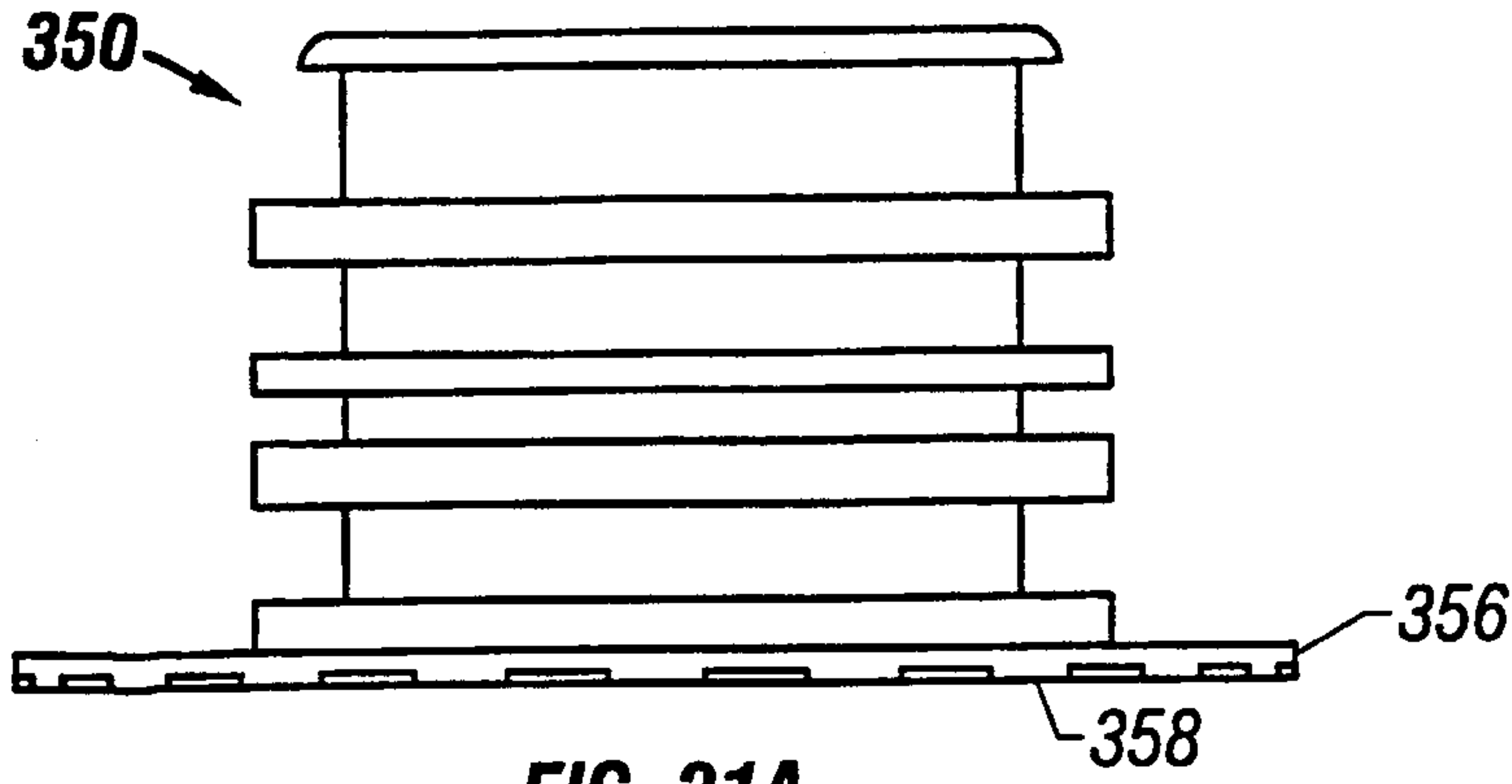


FIG. 20C

17/26



18/26

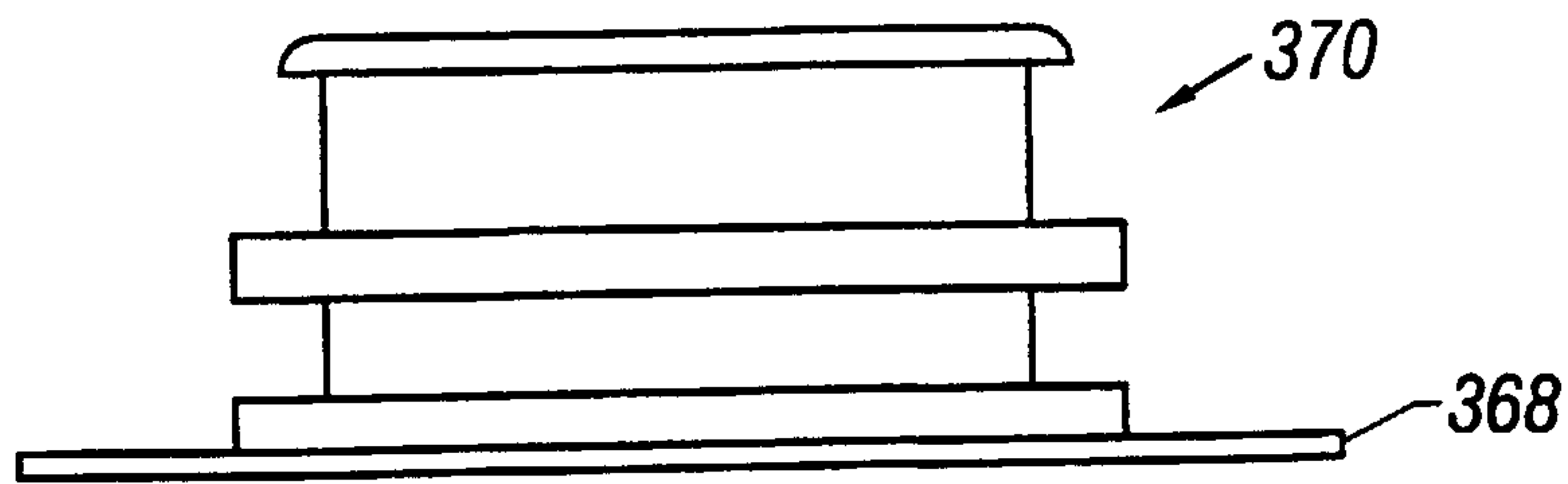


FIG. 22A

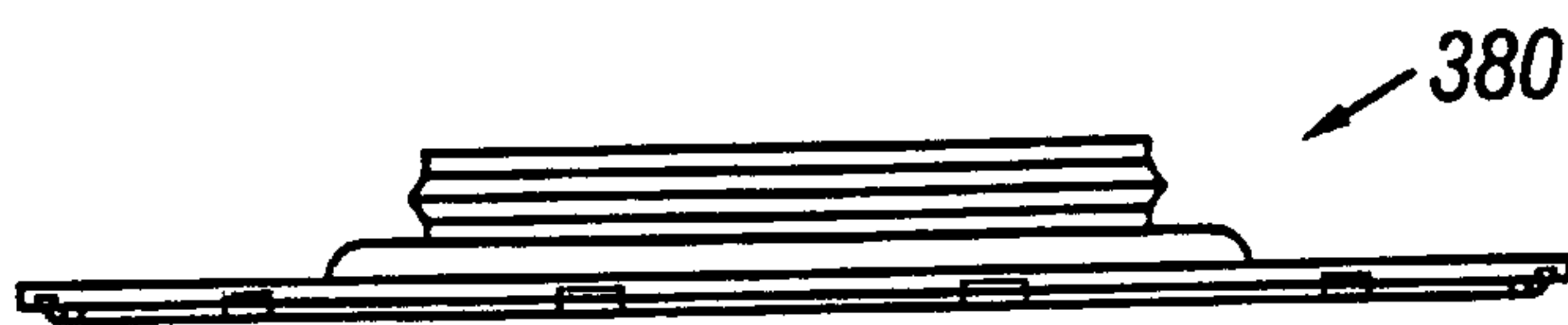


FIG. 22B

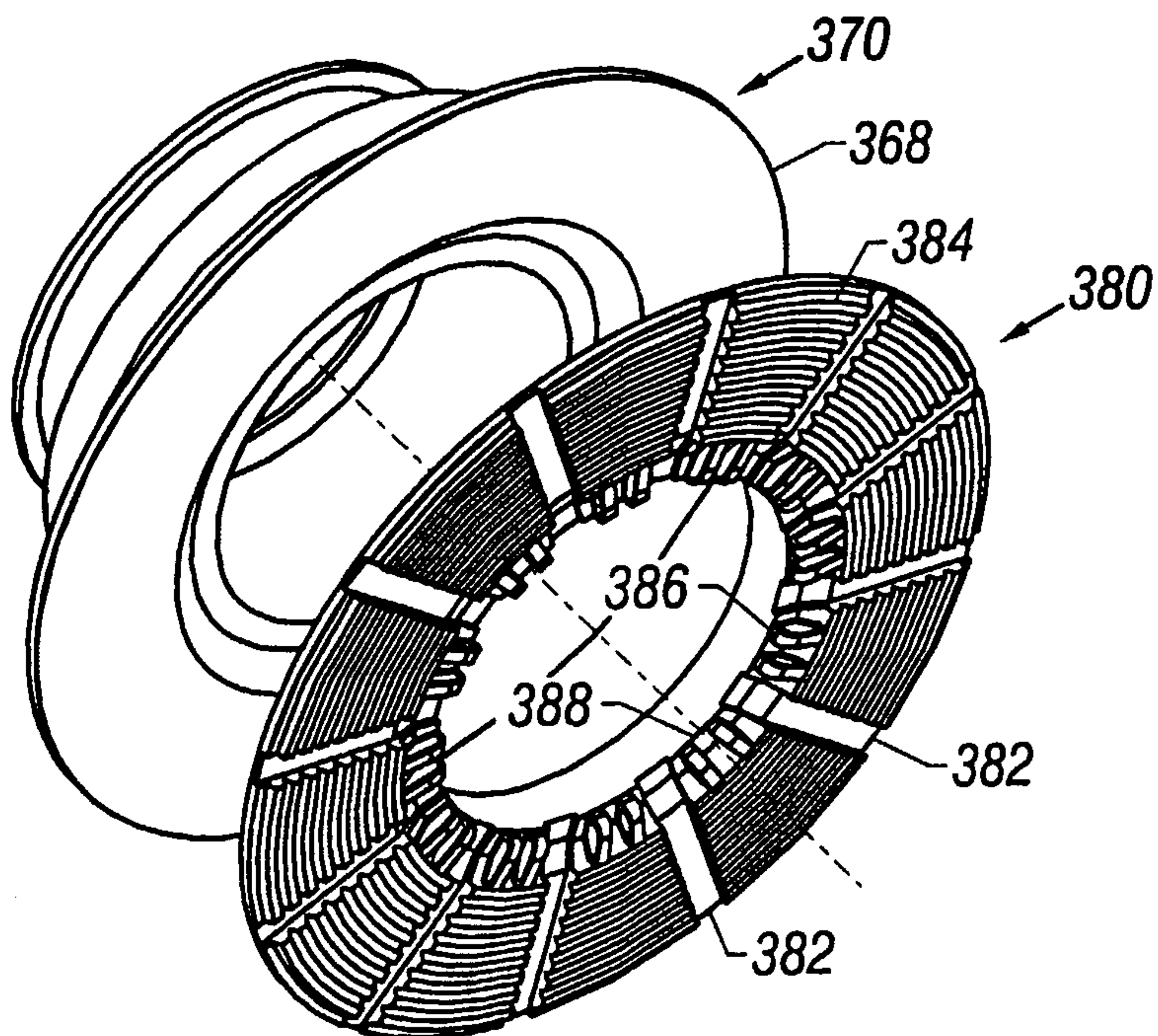
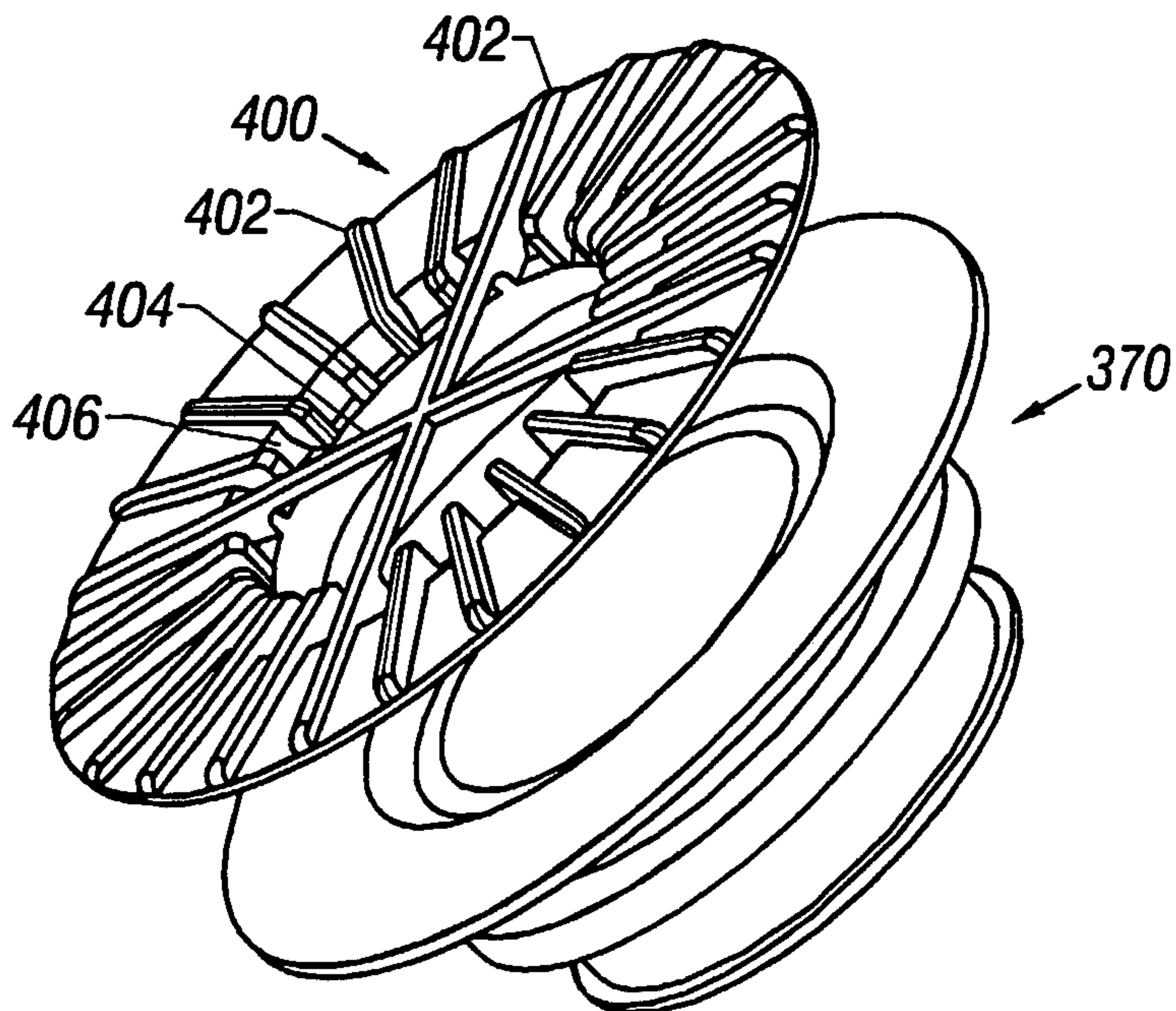
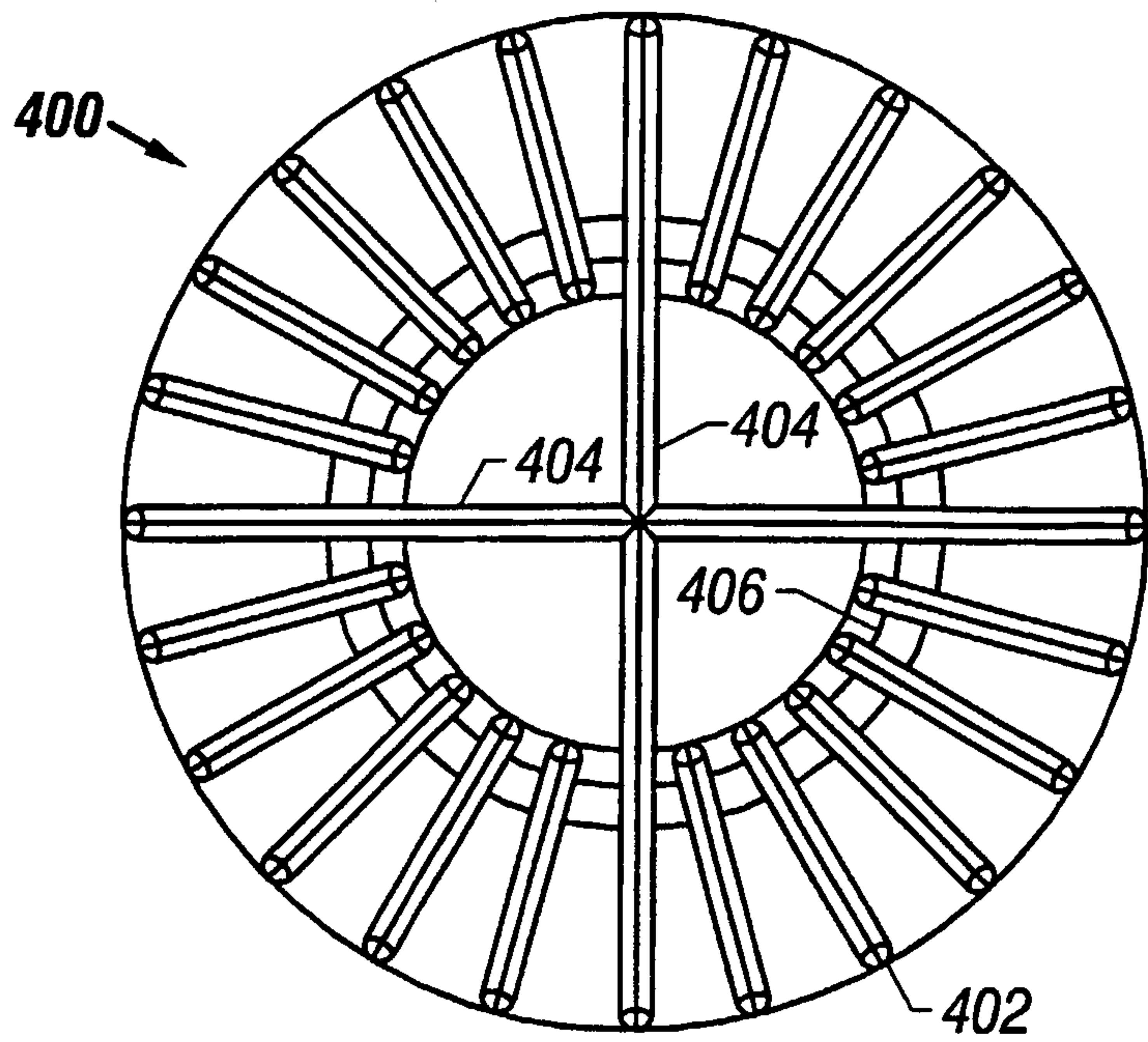
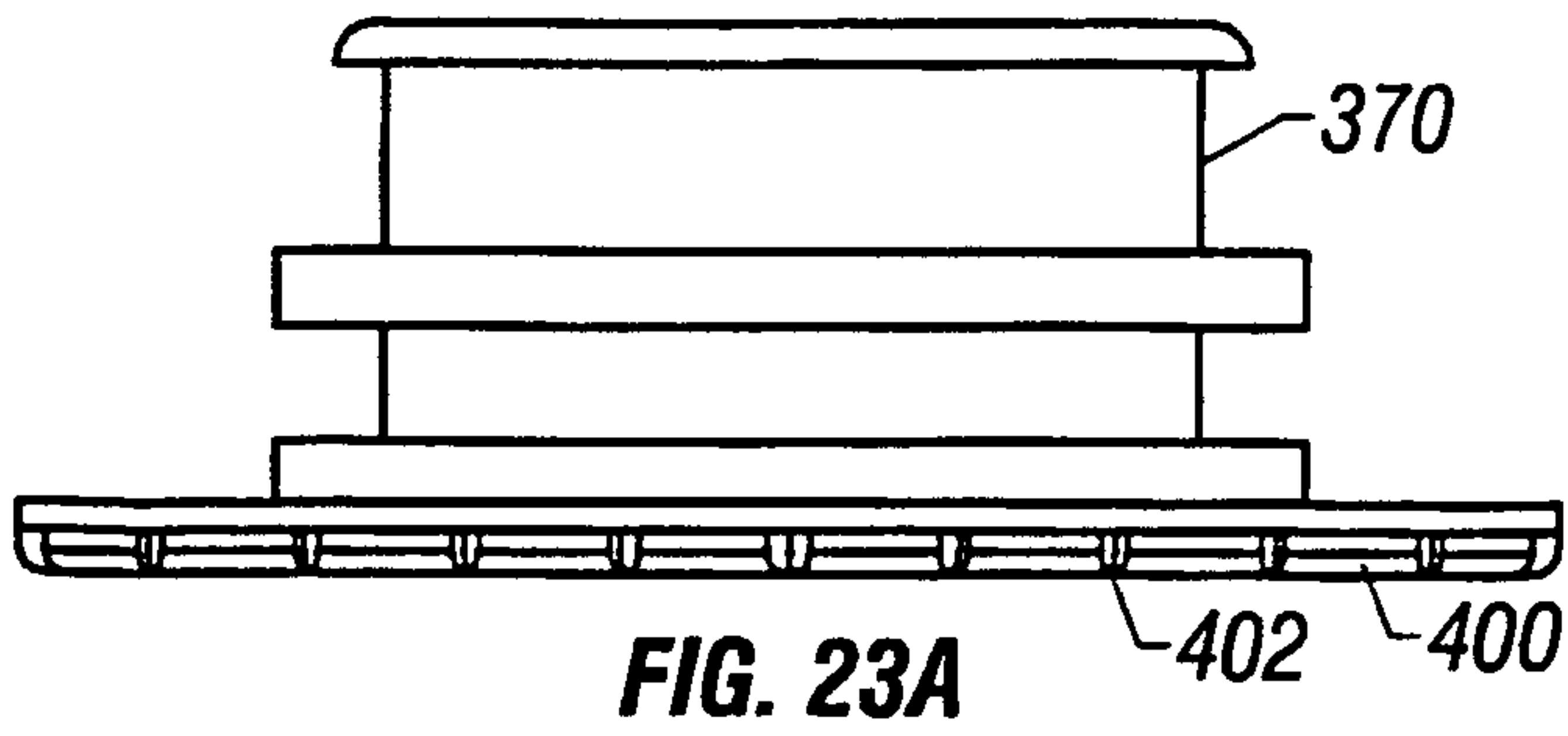
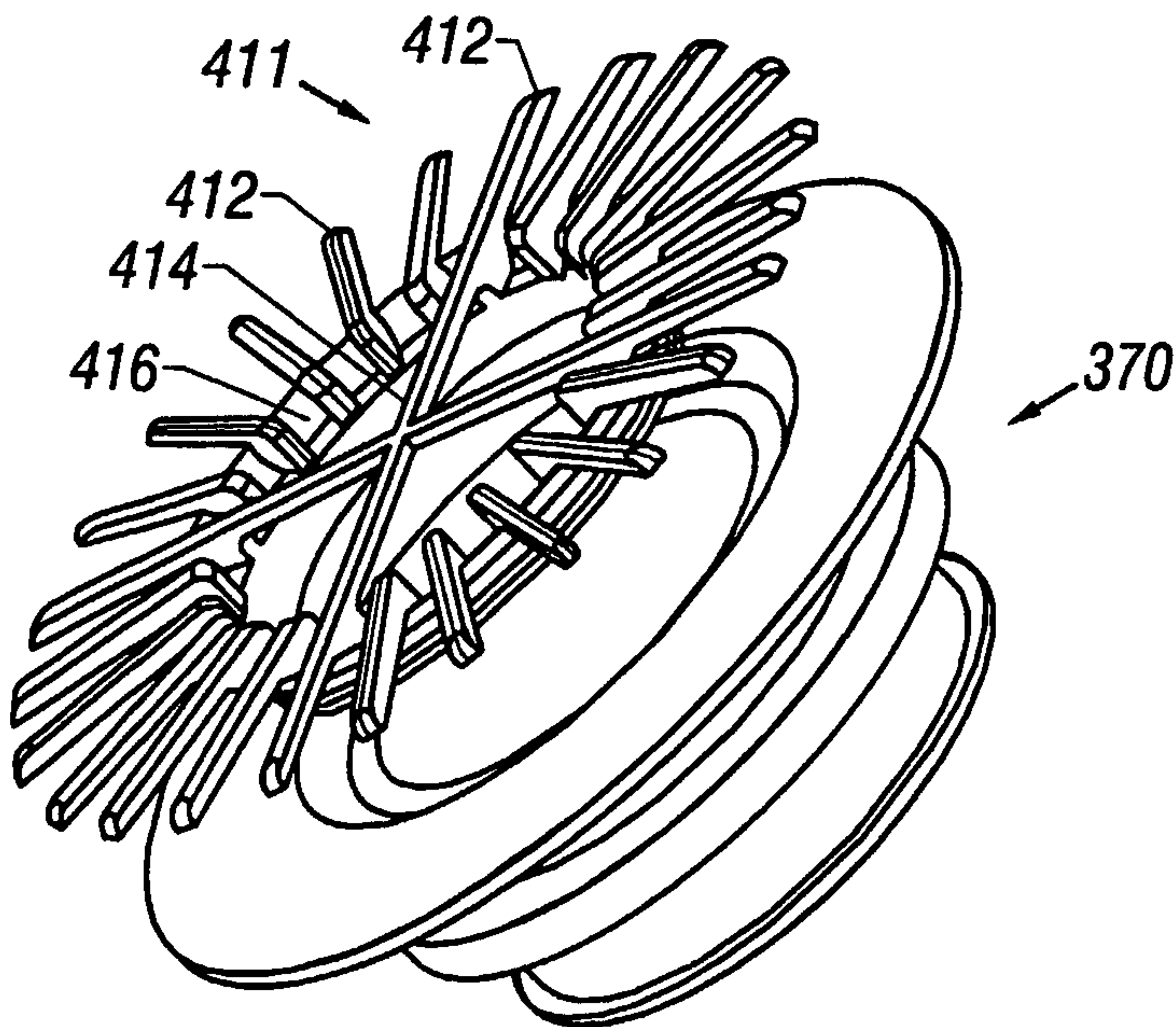
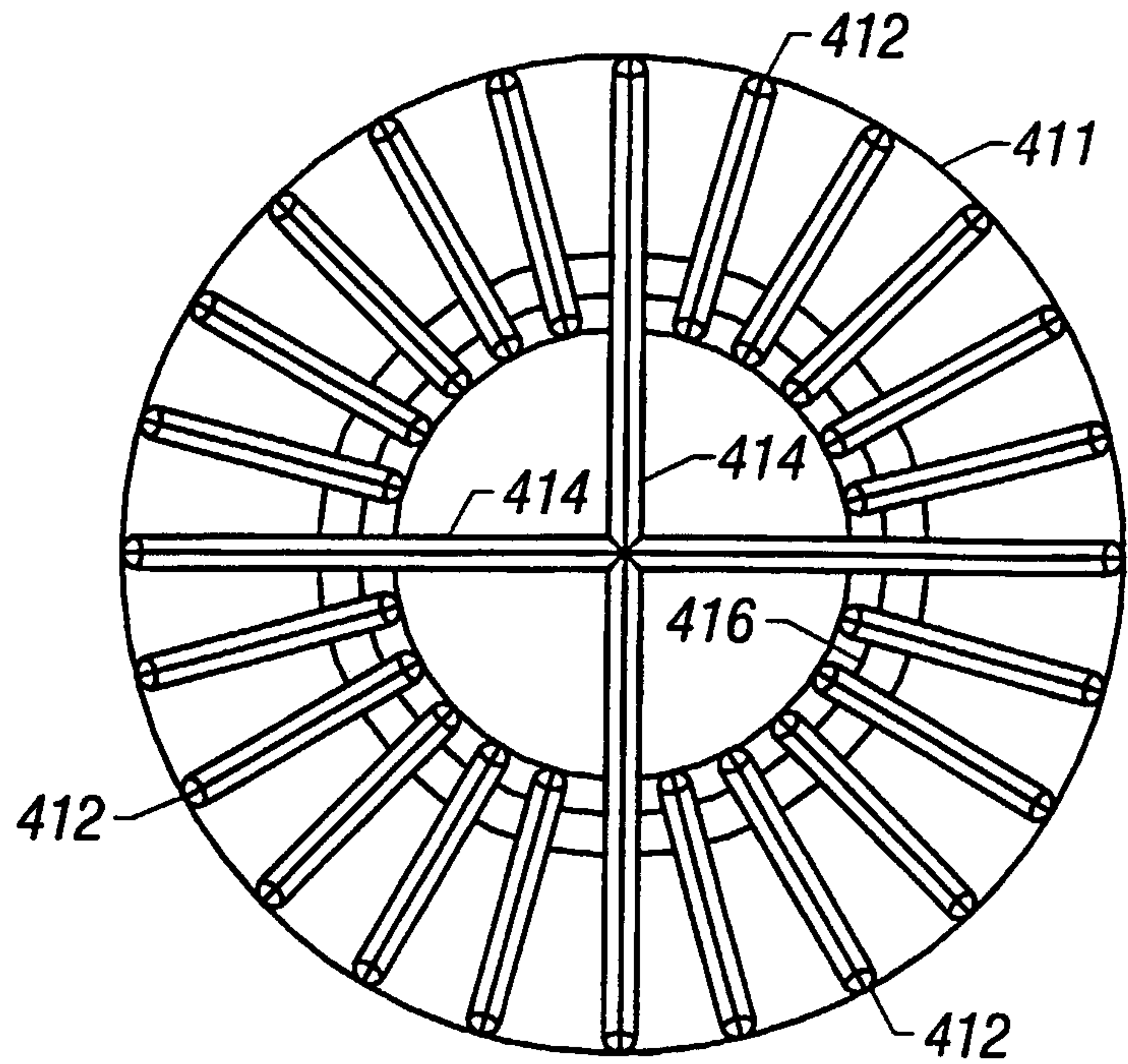
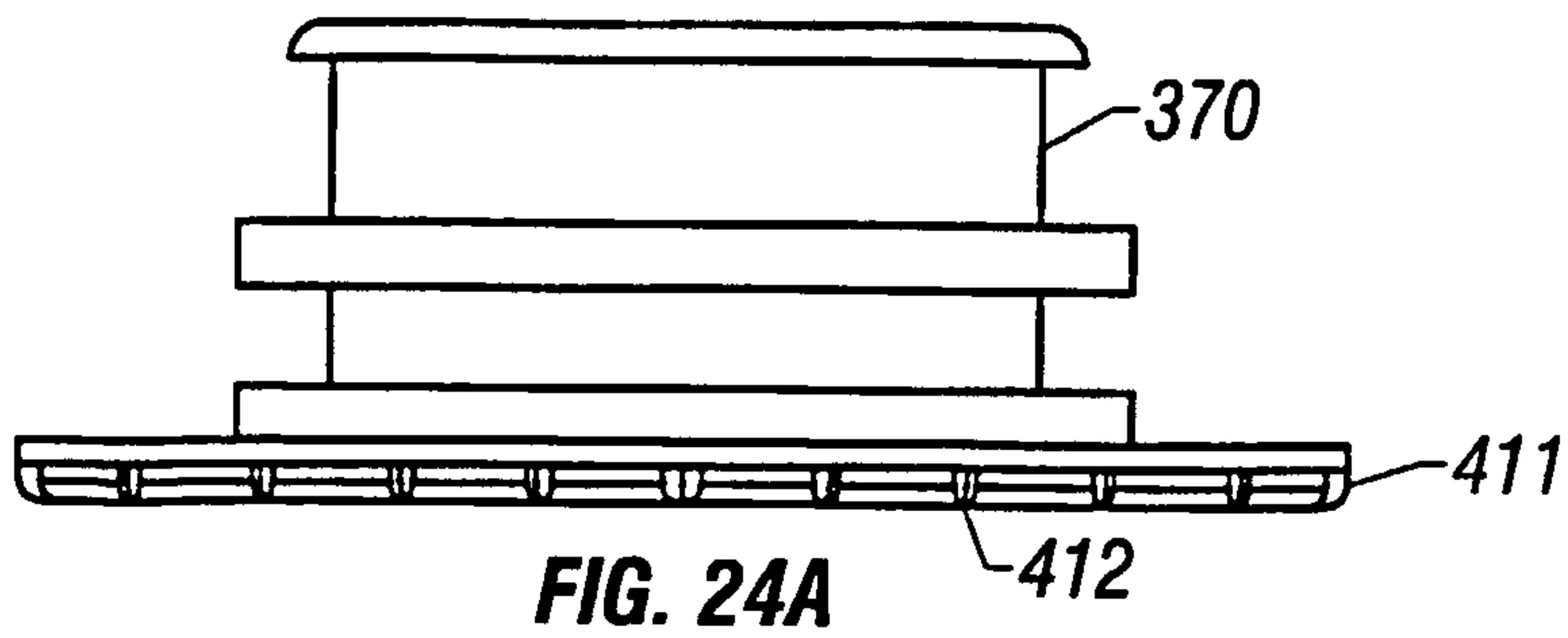


FIG. 22C

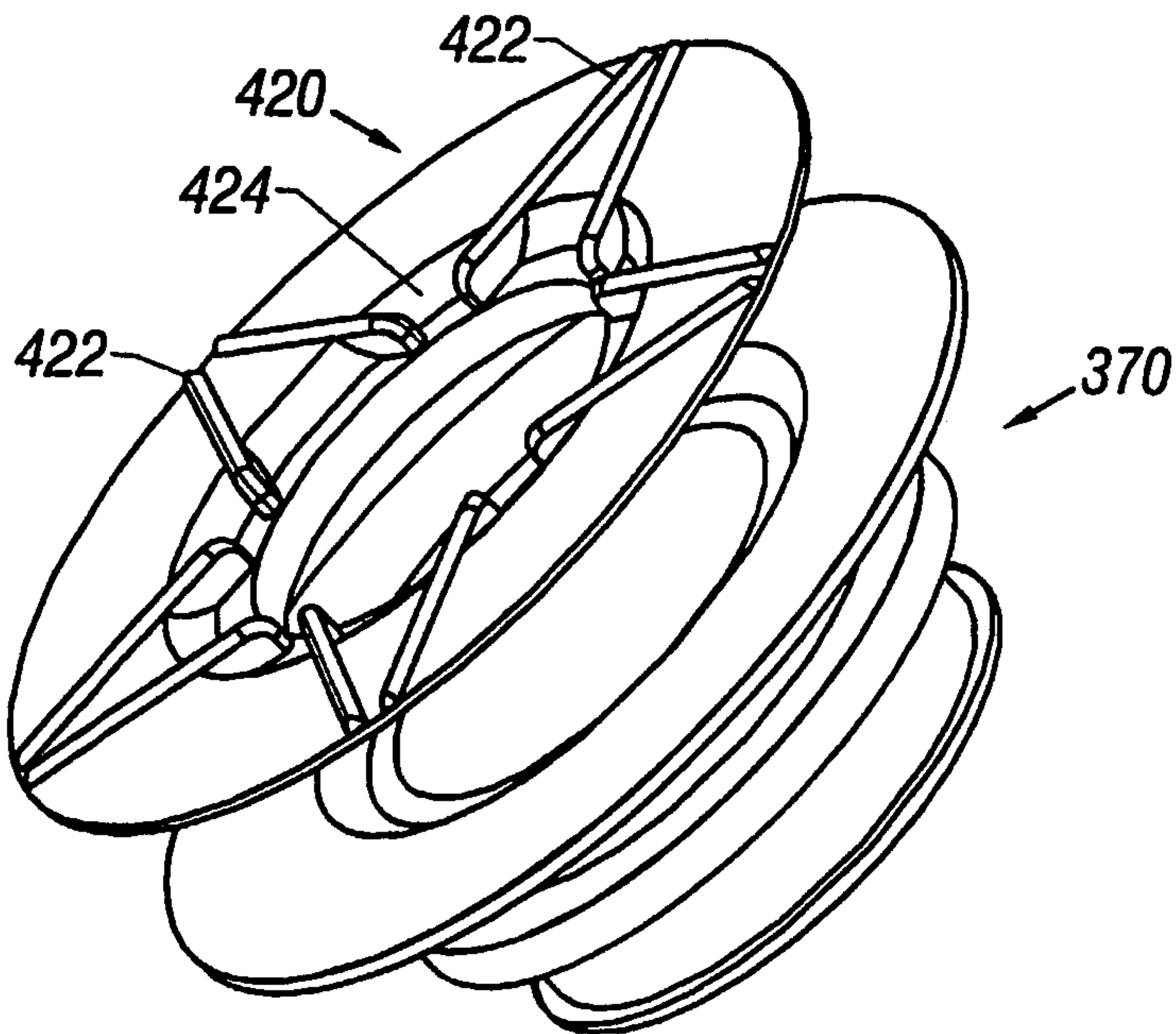
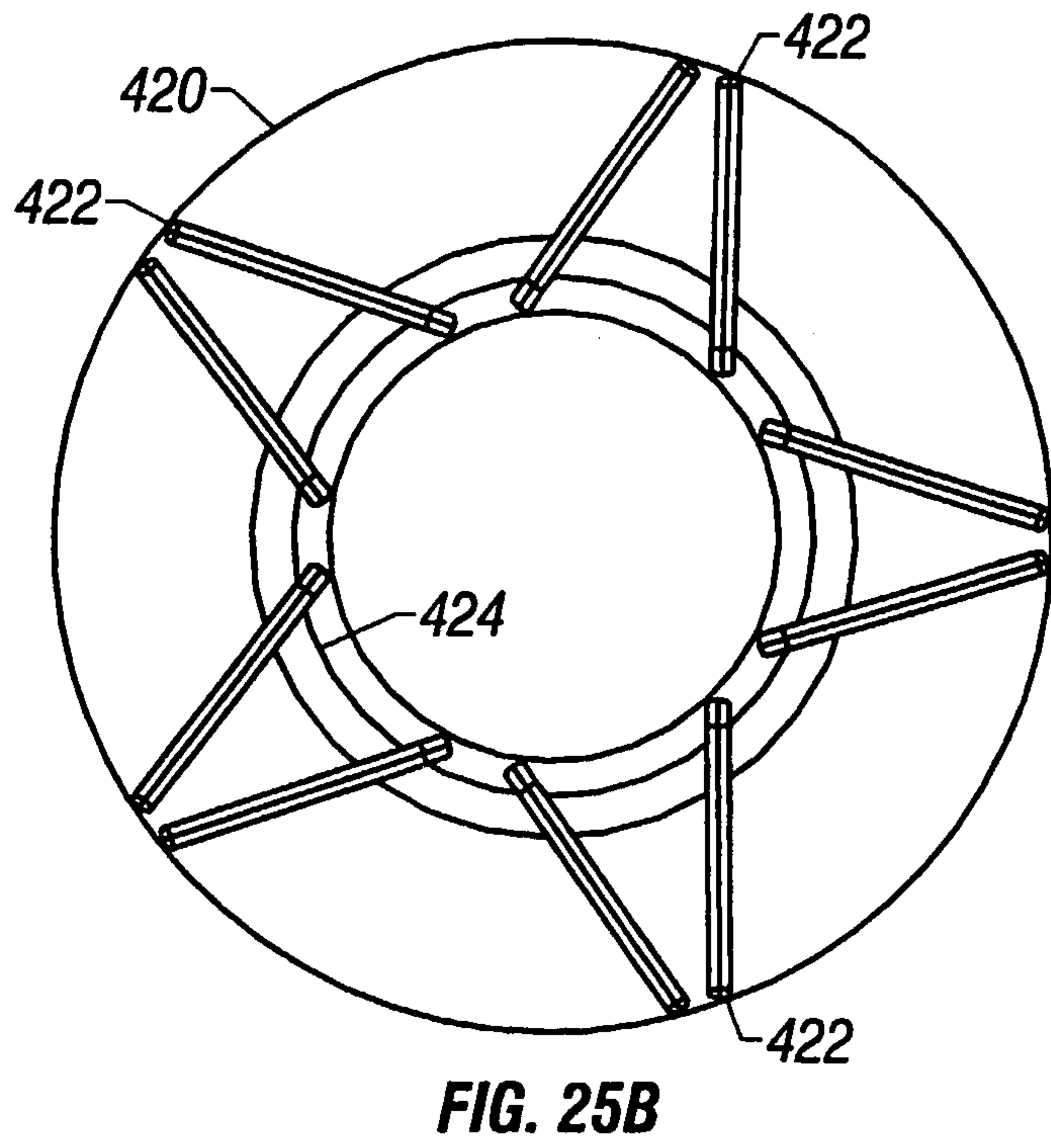
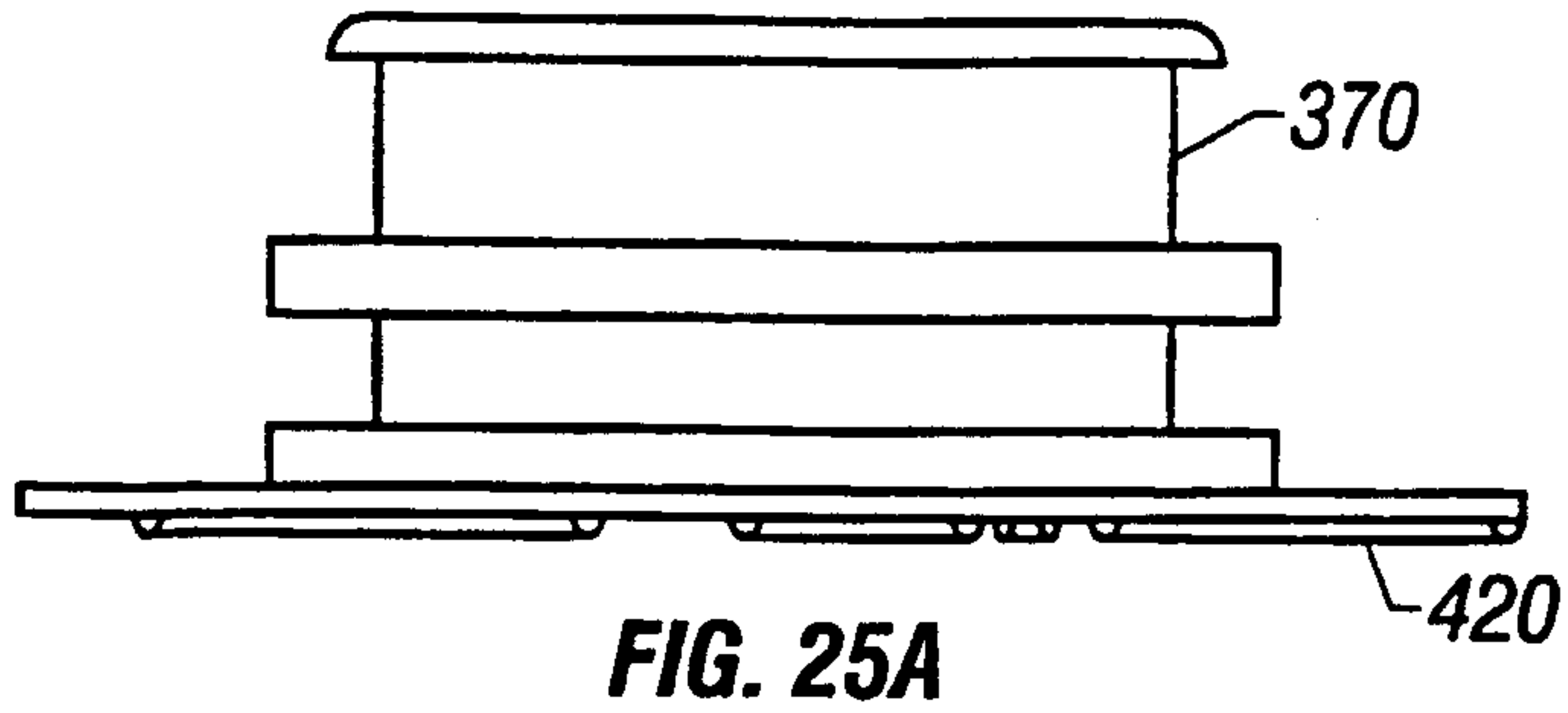
19/26



20/26



21/26



22/26

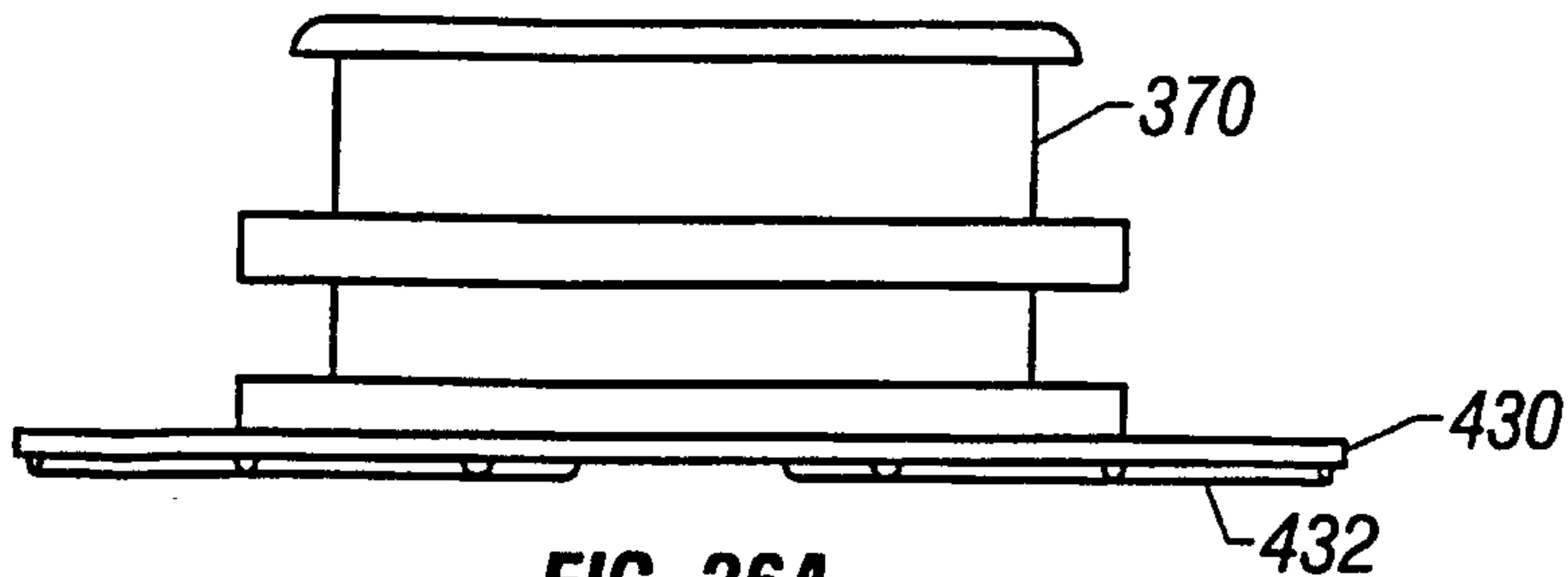


FIG. 26A

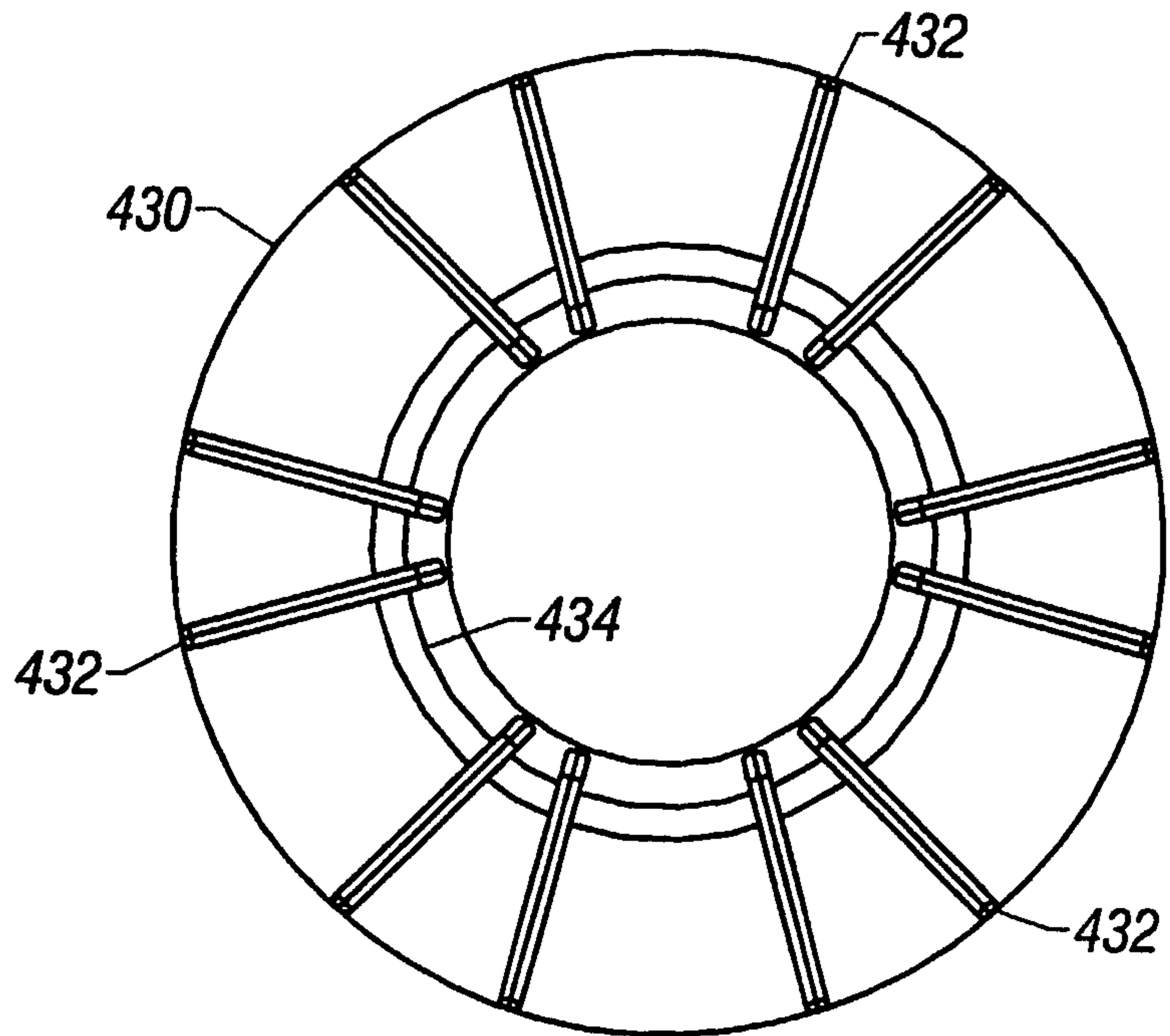


FIG. 26B

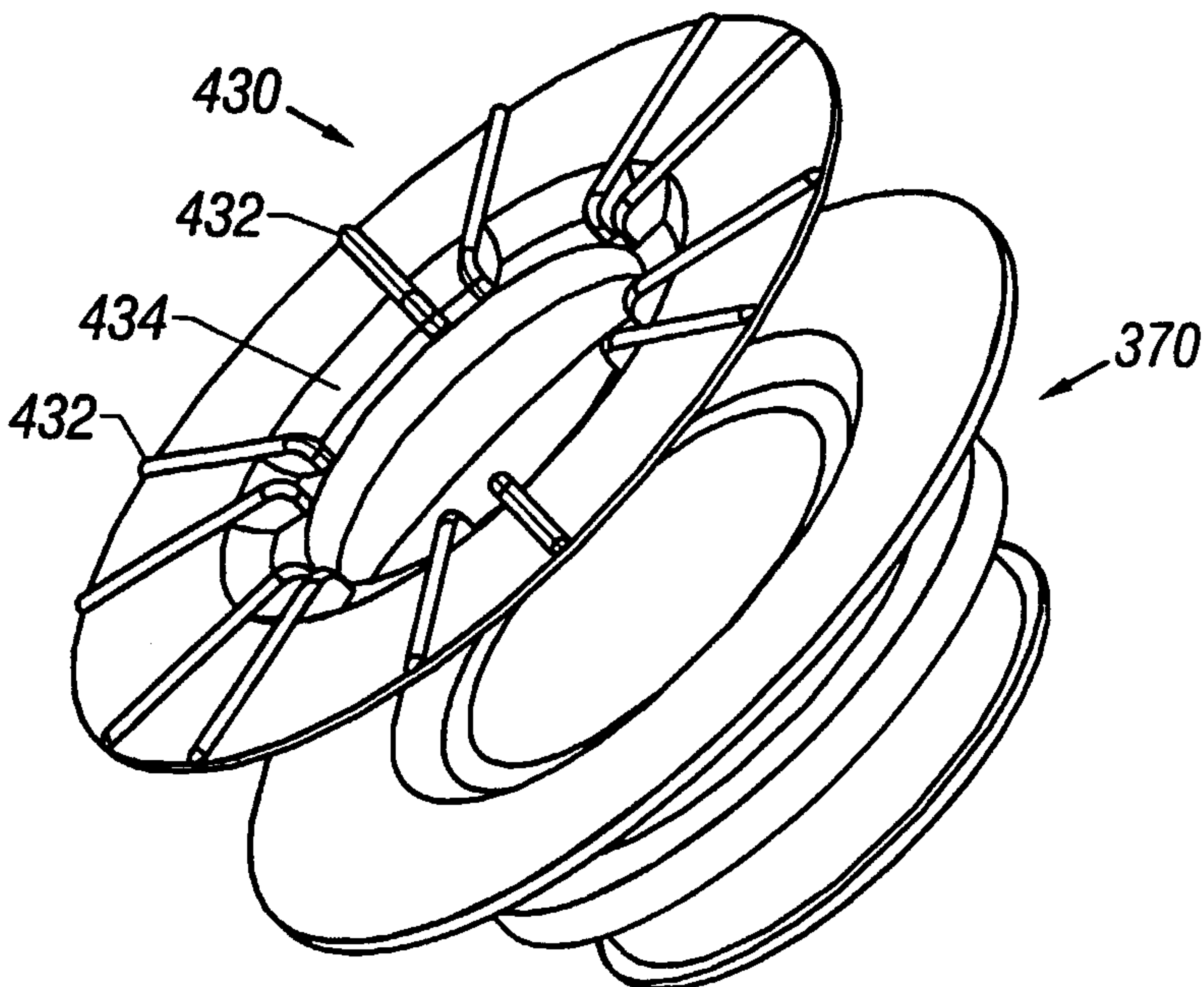


FIG. 26C

23/26

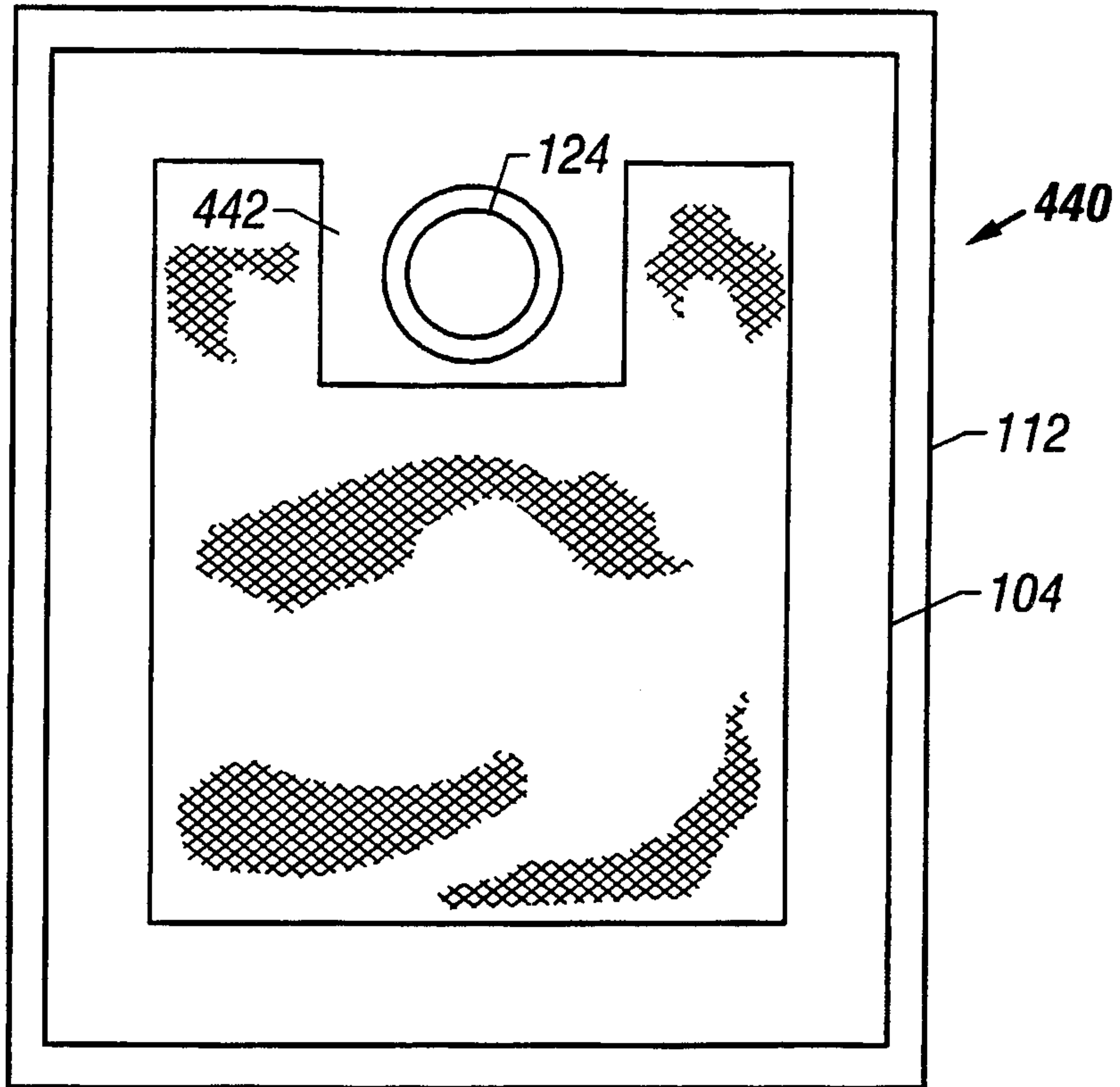


FIG. 27A

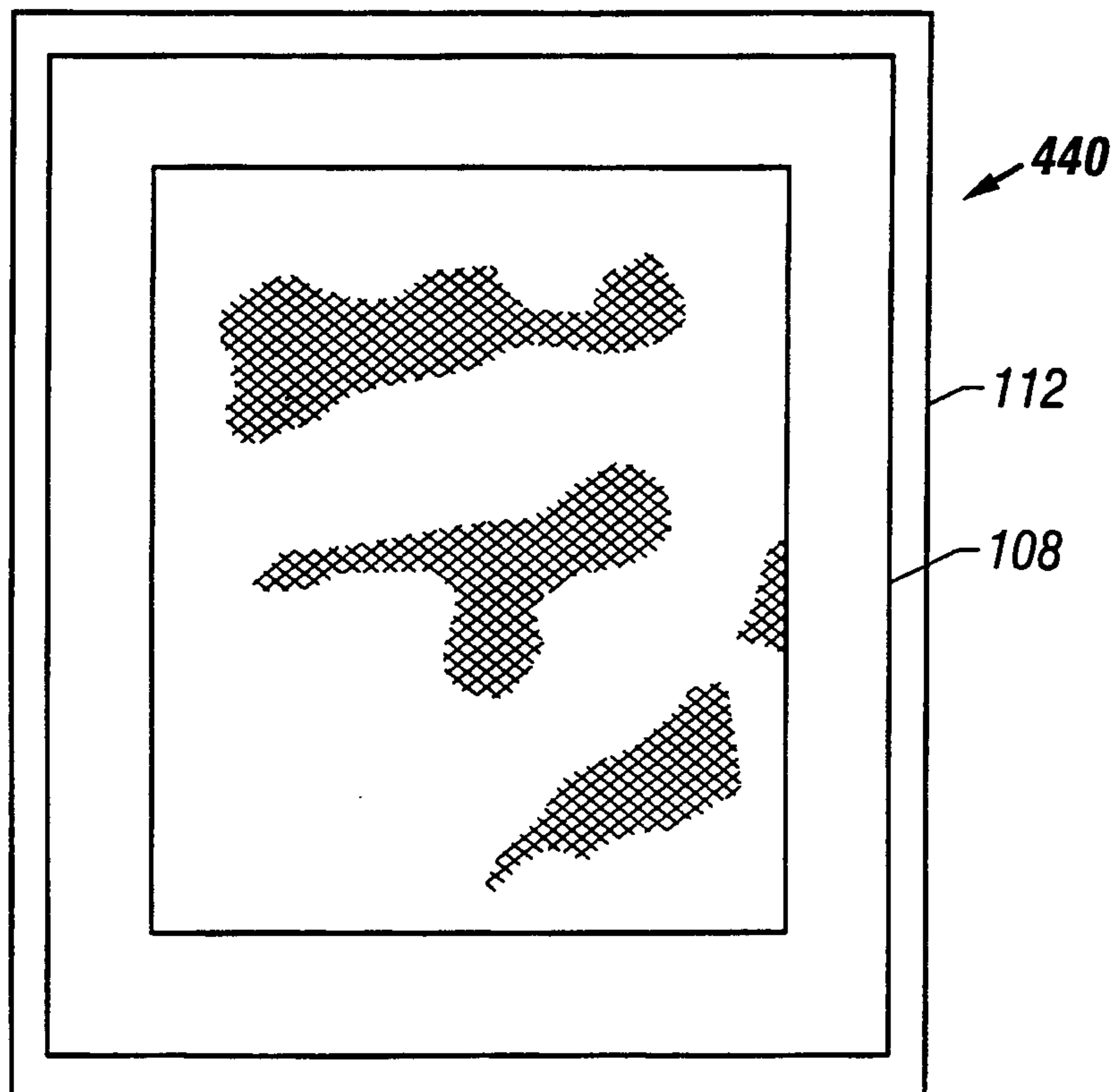
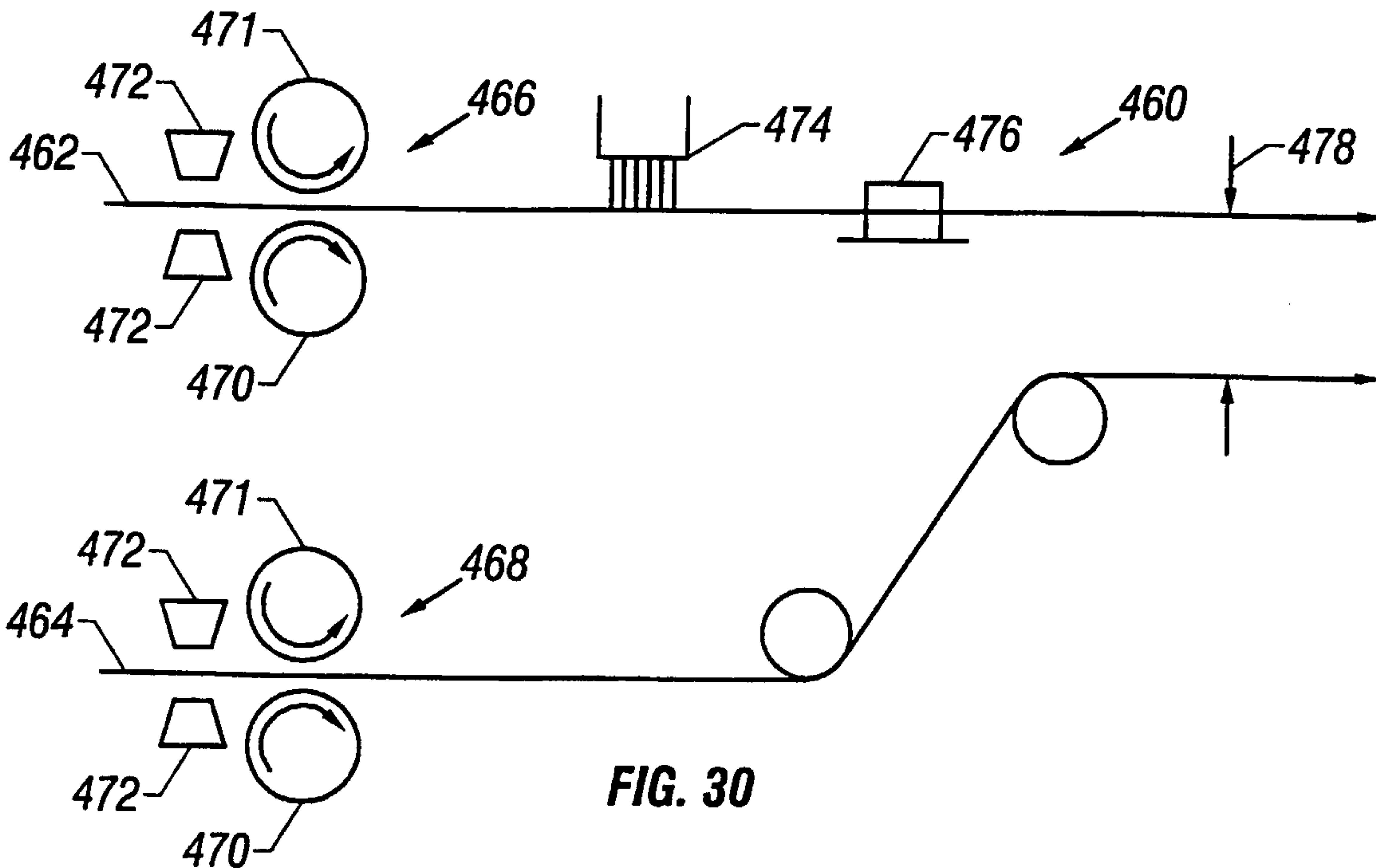
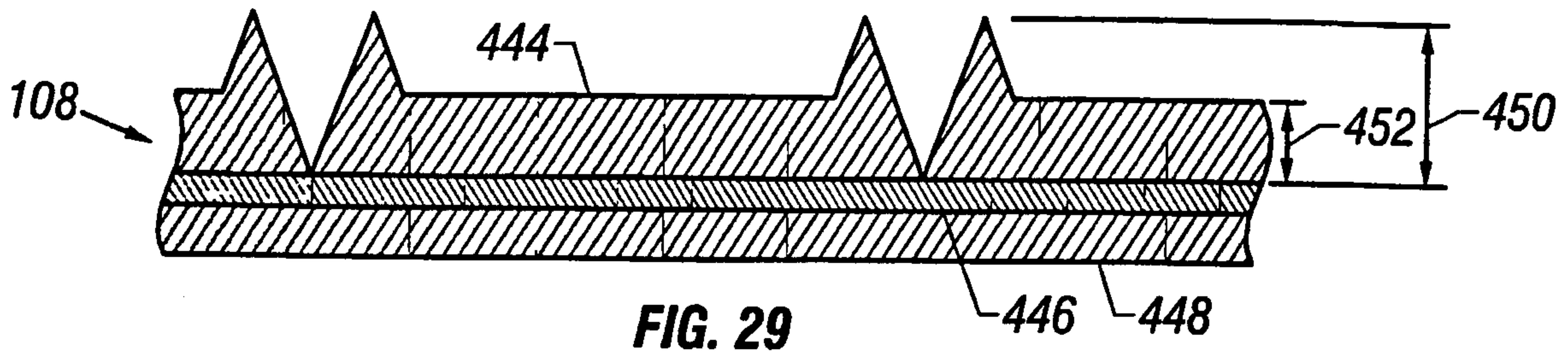
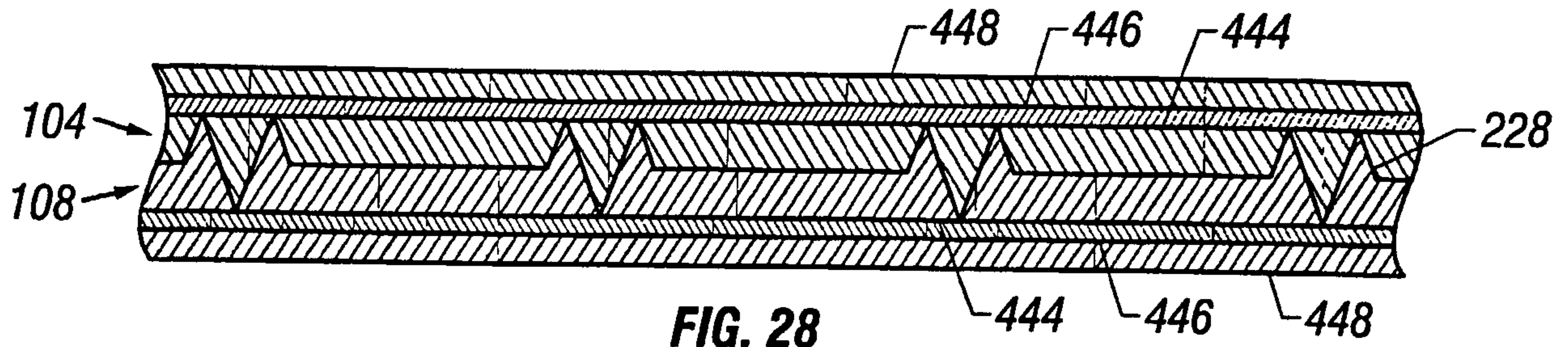


FIG. 27B

24/26



25/26

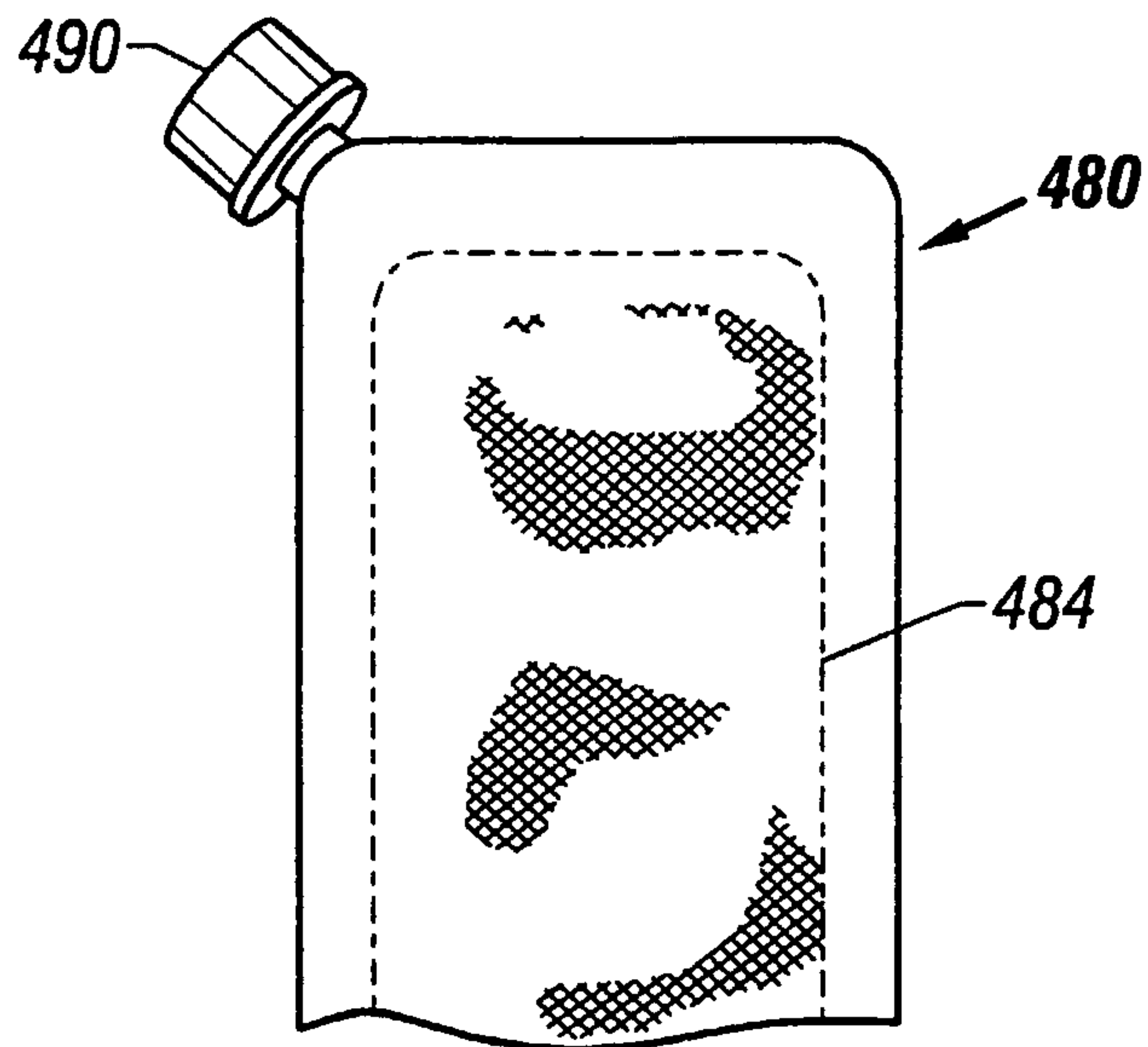


FIG. 31A

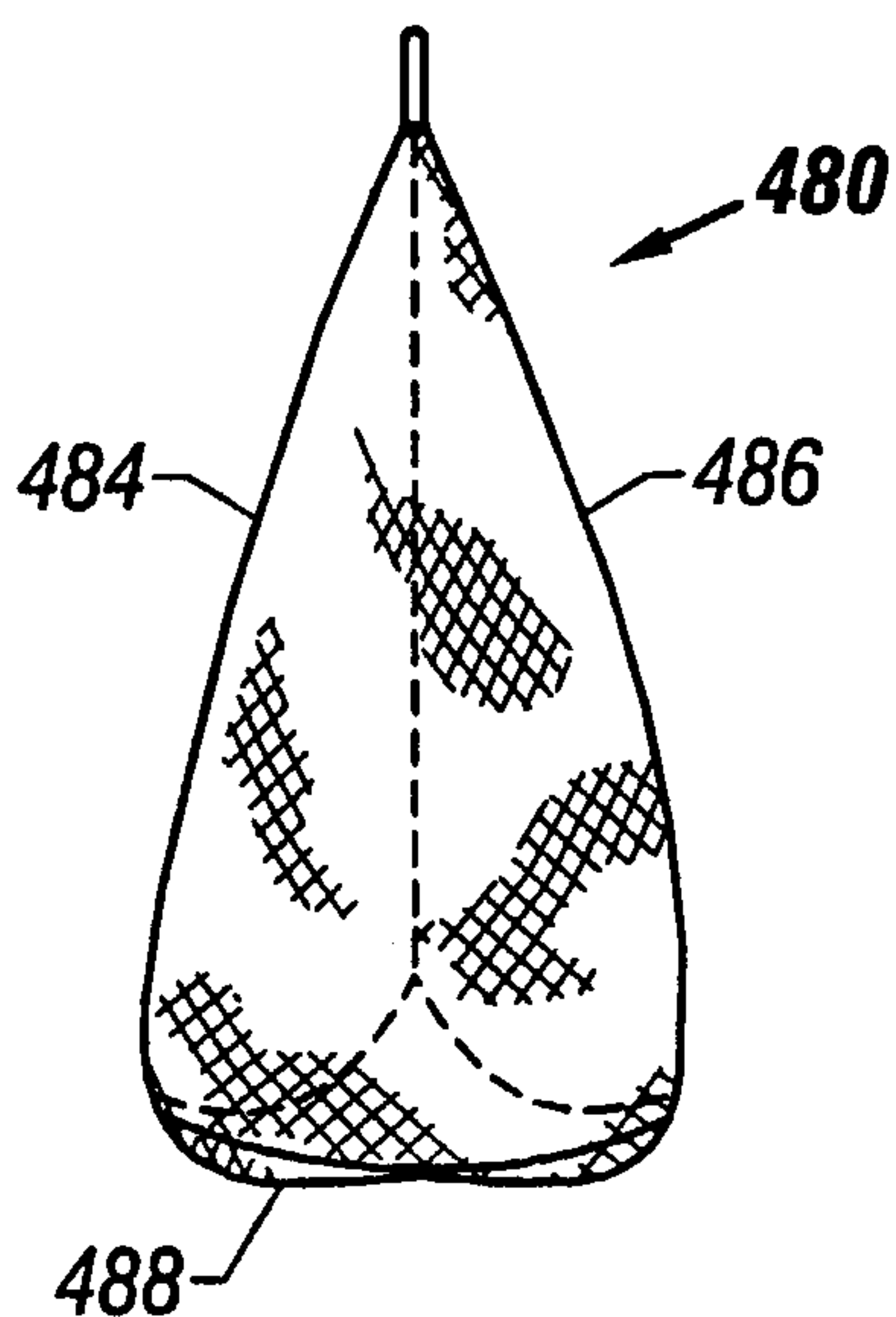


FIG. 31B

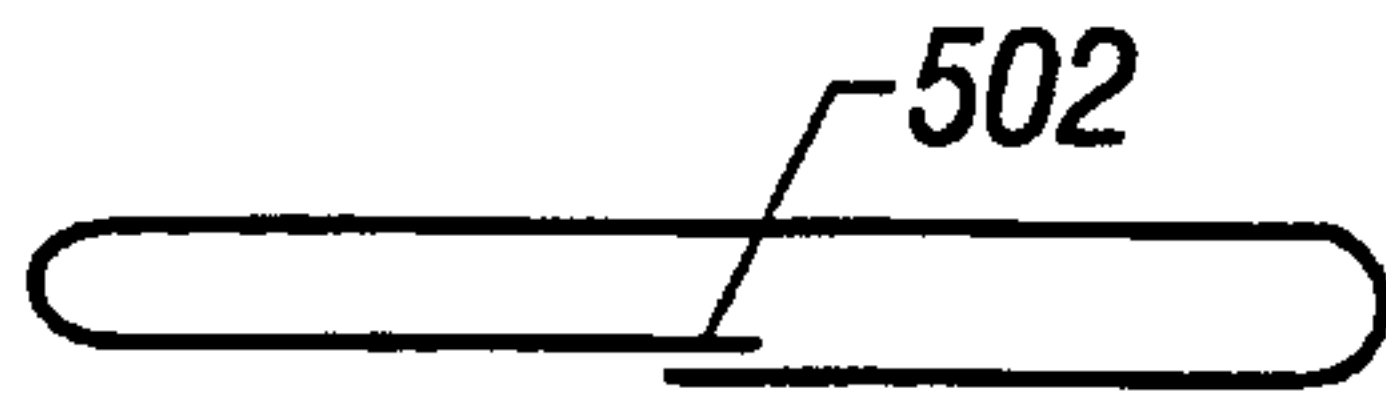


FIG. 33A

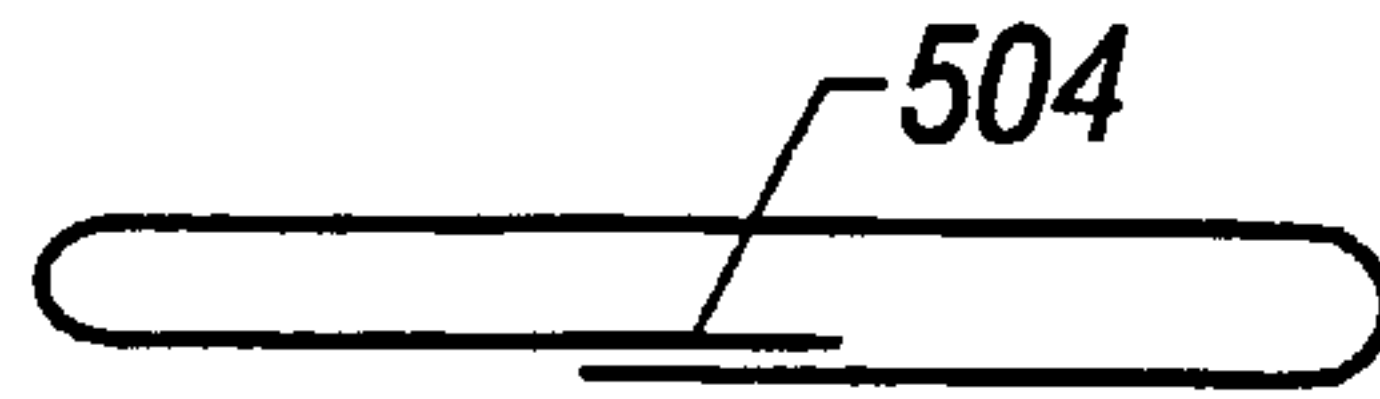


FIG. 33B

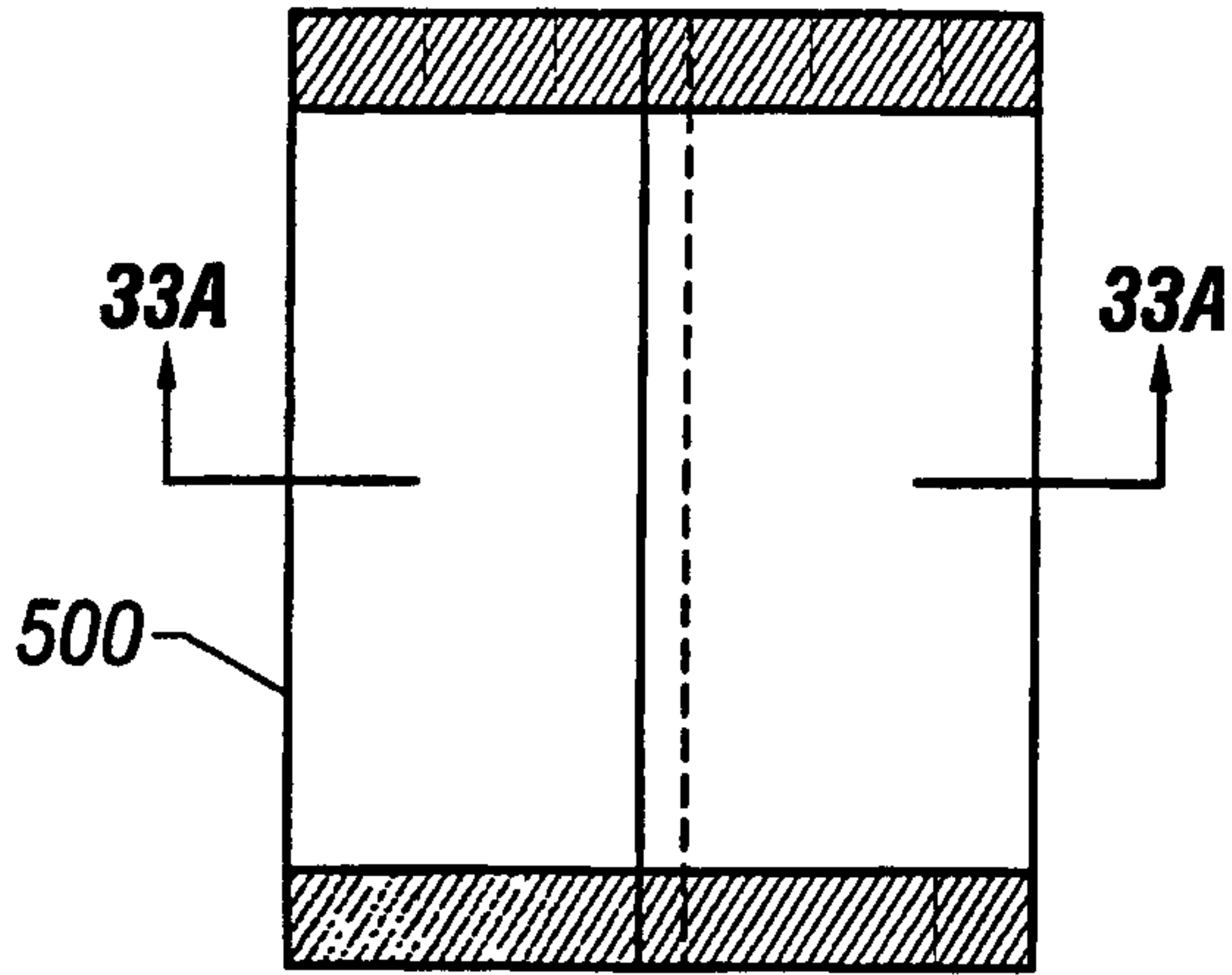


FIG. 32A

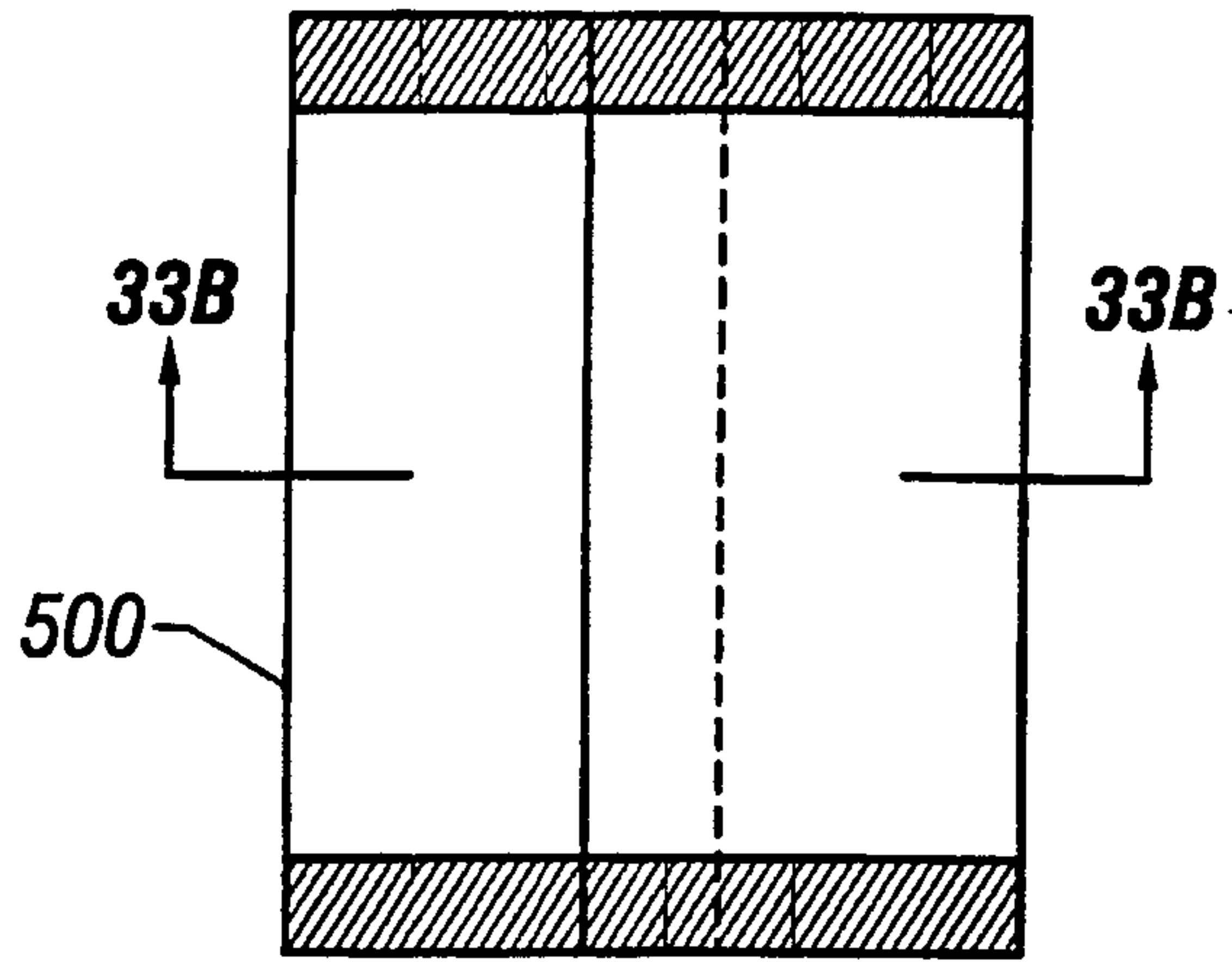


FIG. 32B

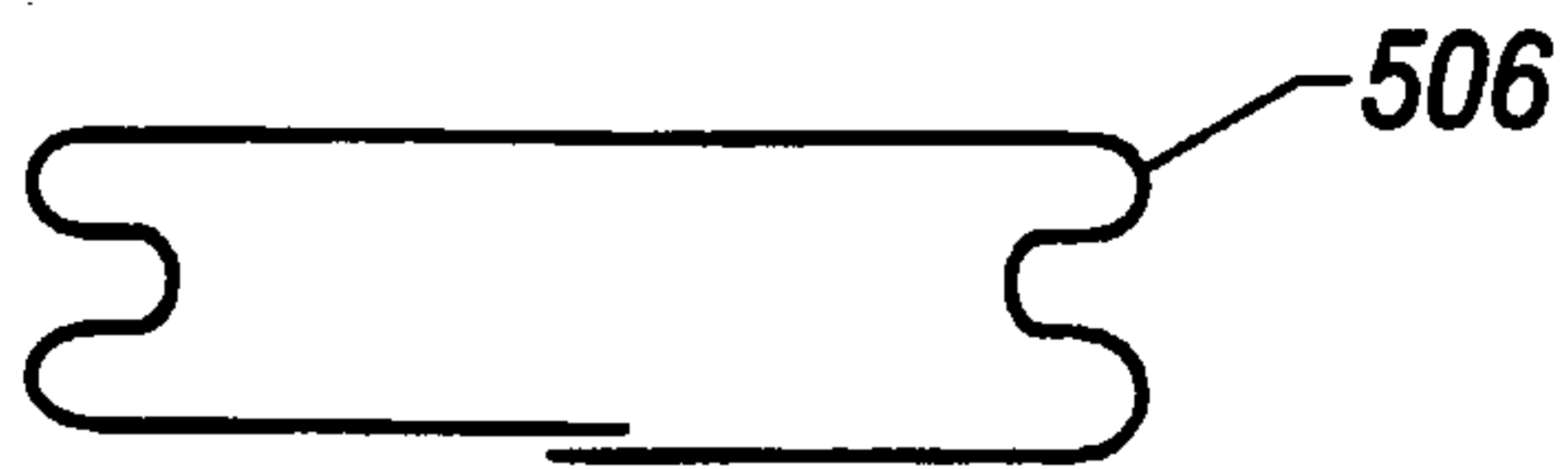


FIG. 33C

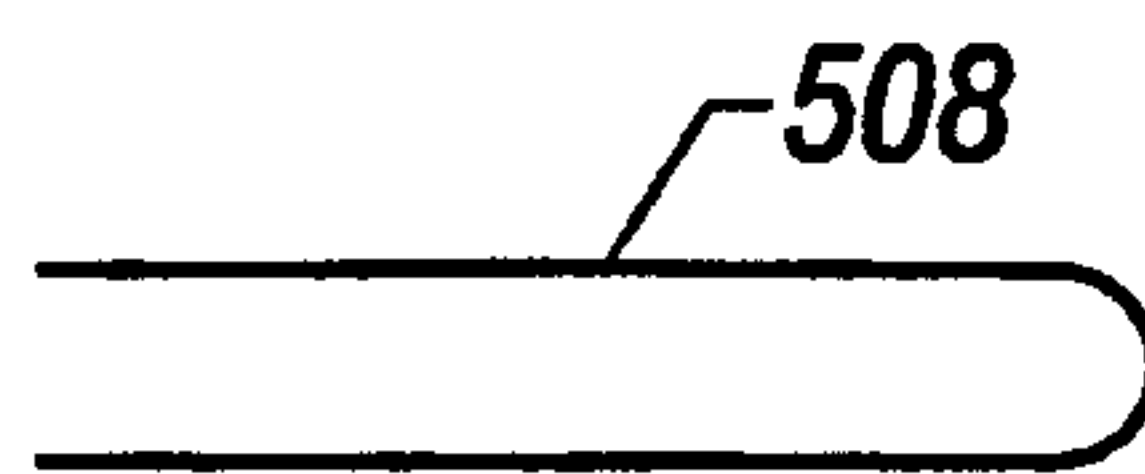


FIG. 33D

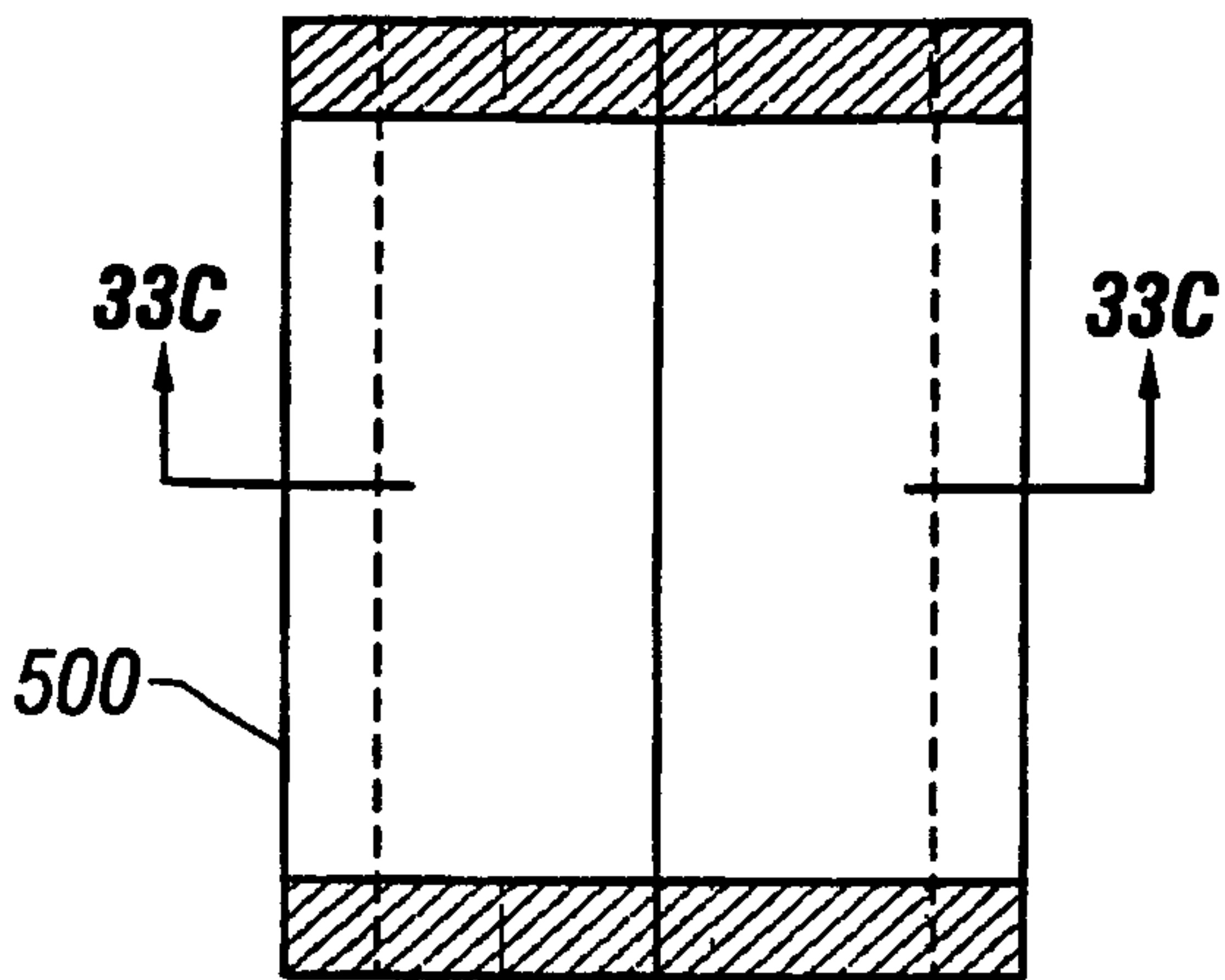


FIG. 32C

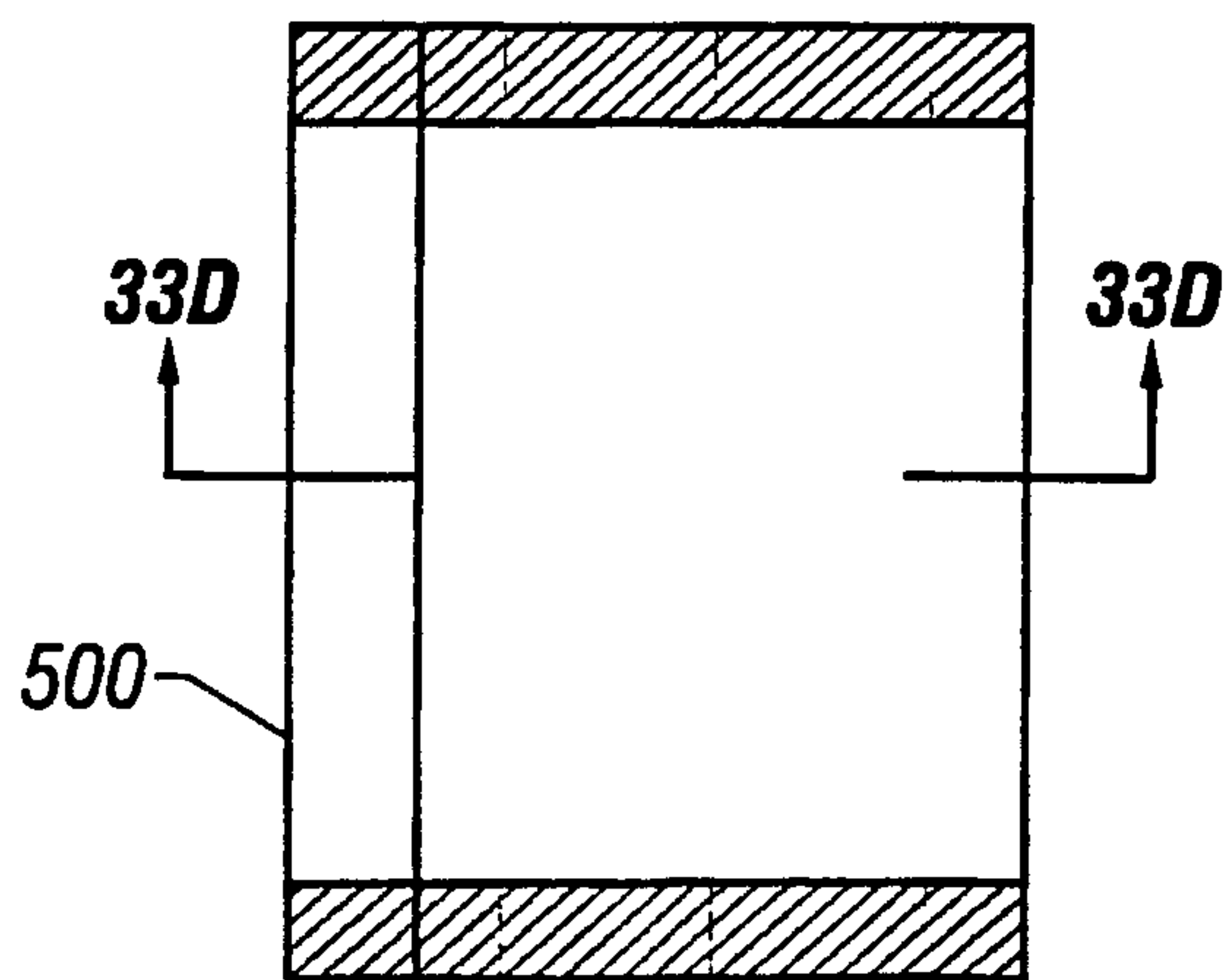


FIG. 32D

