



US00D973613S

(12) **United States Design Patent**
Liu et al.

(10) **Patent No.:** **US D973,613 S**

(45) **Date of Patent:** **** Dec. 27, 2022**

(54) **RADIO RECEIVER**

(71) Applicants: **Guangzhou Rantion Technology Co., Ltd.**, Guangzhou (CN); **Donner Technology LLC**

(72) Inventors: **Zhicong Liu**, Guangzhou (CN); **Naiyong He**, Guangzhou (CN)

(**) Term: **15 Years**

(21) Appl. No.: **29/794,282**

(22) Filed: **Jun. 11, 2021**

(51) **LOC (13) Cl.** **14-03**

(52) **U.S. Cl.**
USPC **D14/137**

(58) **Field of Classification Search**
USPC D14/137, 138 R, 138 AA, 138 AD, 240, D14/242, 357, 358, 140-140.9, 155, 125, D14/139, 243, 348, 349, 351, 354, 355, D14/433, 435.1; D10/104.1
CPC .. H04B 1/3833; H04B 1/3827; H04B 1/3855; H04B 2001/3861; H04B 1/38; H04M 1/0202; H04M 1/03; H04M 1/035; H04L 12/00; H03K 17/00; H04W 88/00; H04W 88/005; H04W 88/02; H04W 88/08; H04W 88/085; H04W 88/10; H04W 88/12; H04W 88/14

See application file for complete search history.

(56) **References Cited**

U.S. PATENT DOCUMENTS

D520,991 S * 5/2006 Ma D14/240
D554,630 S * 11/2007 Ma D14/240

D554,631 S * 11/2007 Ma D14/240
D619,128 S * 7/2010 Tong D14/240
D622,699 S * 8/2010 Jiang D14/168
D655,267 S * 3/2012 Daniel D14/137
D811,377 S * 2/2018 Wang D14/240
D825,540 S * 8/2018 Wilcox D14/242
D873,254 S * 1/2020 Homza D14/242
D900,795 S * 11/2020 Laffon de Mazieres . D14/203.3
D918,199 S * 5/2021 Browy D14/344
D931,266 S * 9/2021 Chong D14/242
D957,374 S * 7/2022 Homza D14/242

* cited by examiner

Primary Examiner — Bridget L Eland

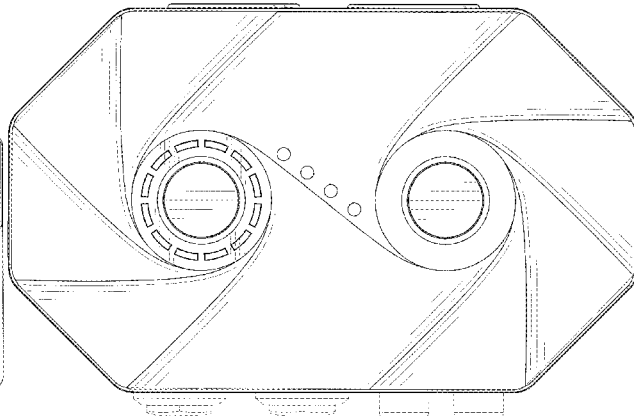
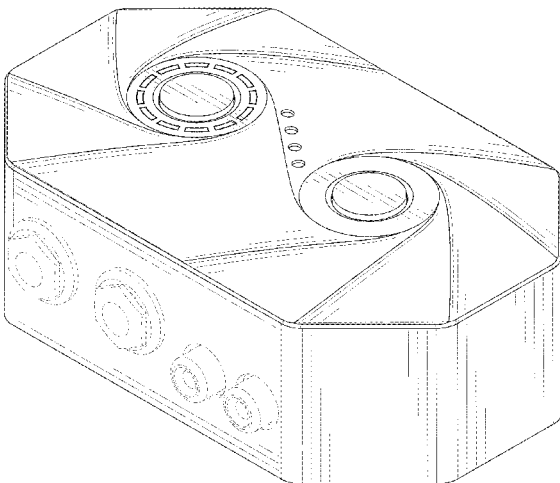
(57) **CLAIM**

The ornamental design for a radio receiver, as shown and described.

DESCRIPTION

FIG. 1 is a front and top perspective view of a radio receiver, showing our new design;
FIG. 2 is a rear and bottom perspective view thereof;
FIG. 3 is a front elevation view thereof;
FIG. 4 is a rear elevation view thereof;
FIG. 5 is a left side elevation view thereof;
FIG. 6 is a right side elevation view thereof;
FIG. 7 is a top plan view thereof; and,
FIG. 8 is a bottom plan view thereof.
The broken lines in the figures illustrate portions of the radio receiver that form no part of the claimed design.

1 Claim, 8 Drawing Sheets



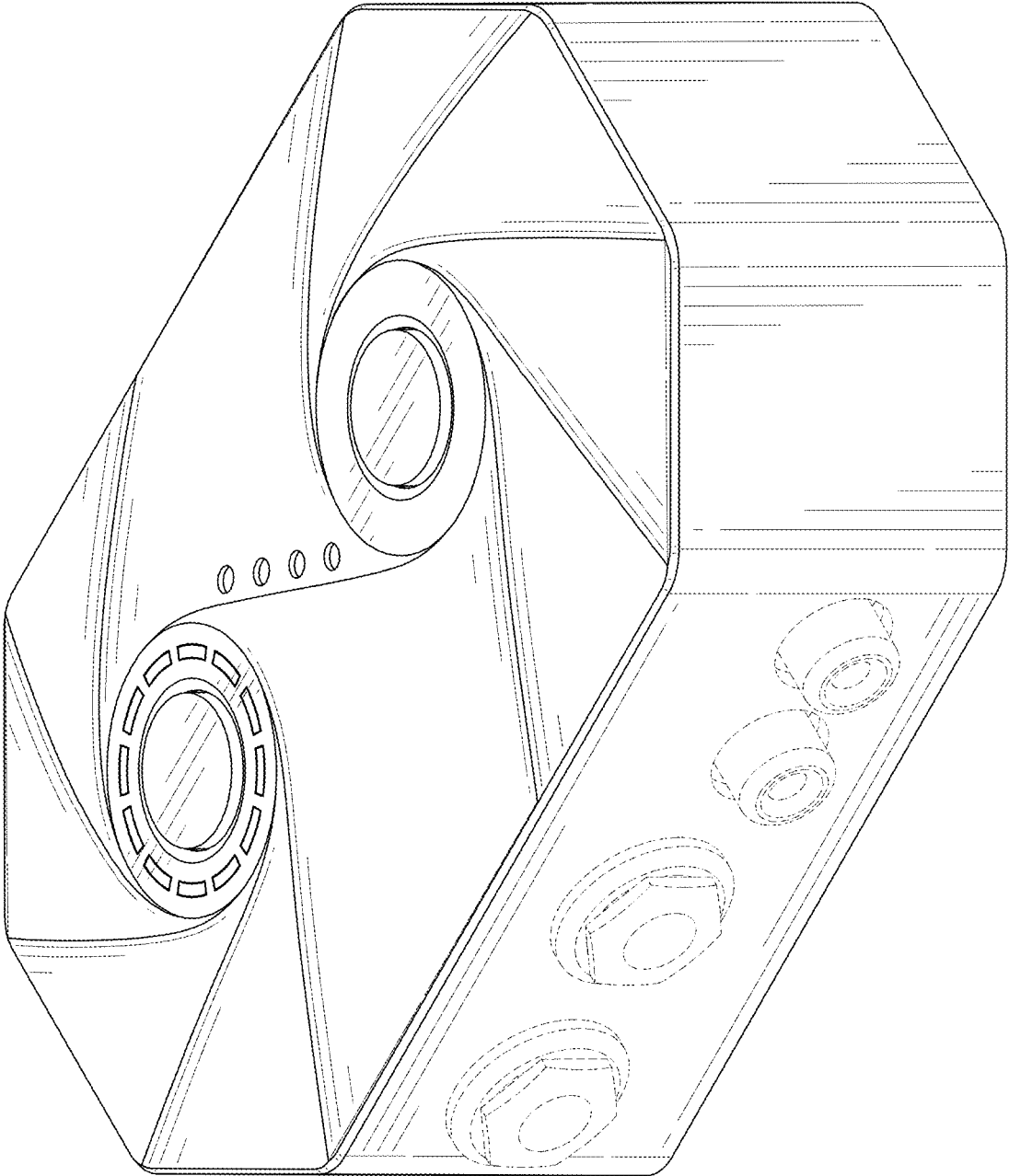


FIG. 1

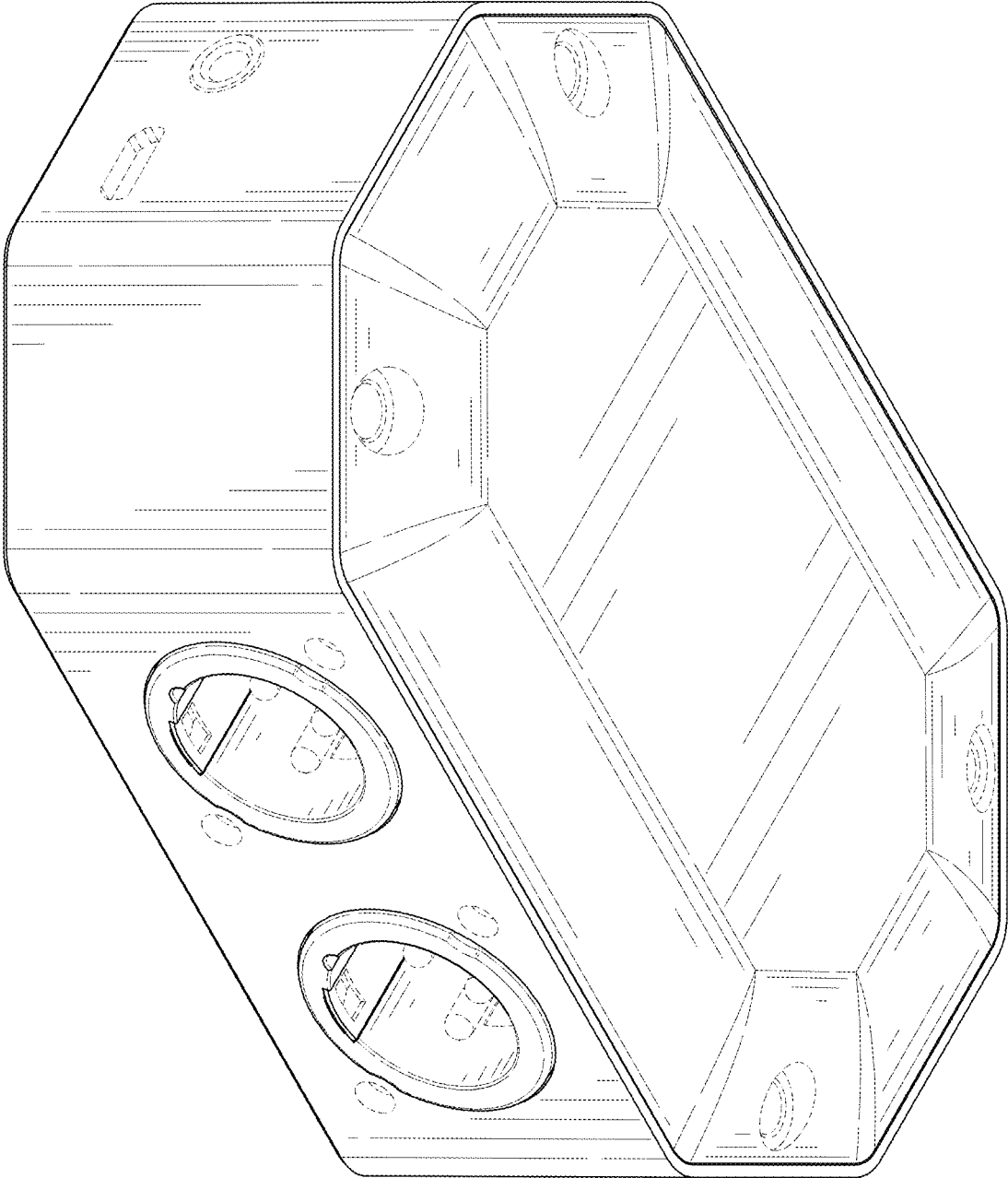


FIG. 2

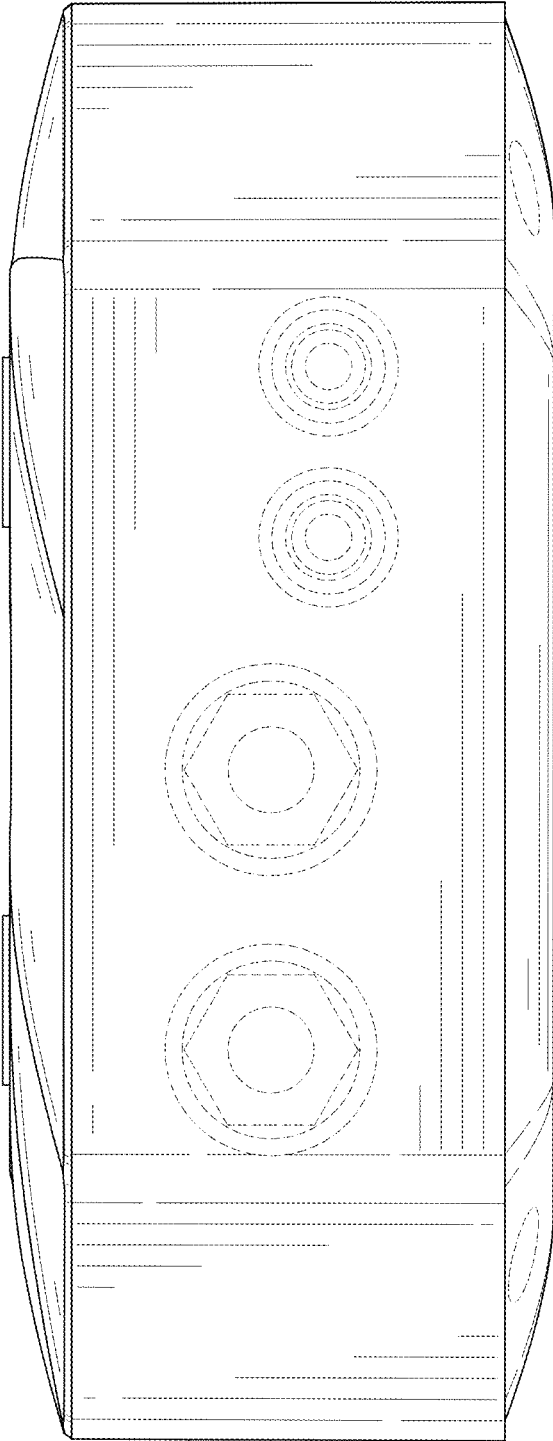


FIG. 3

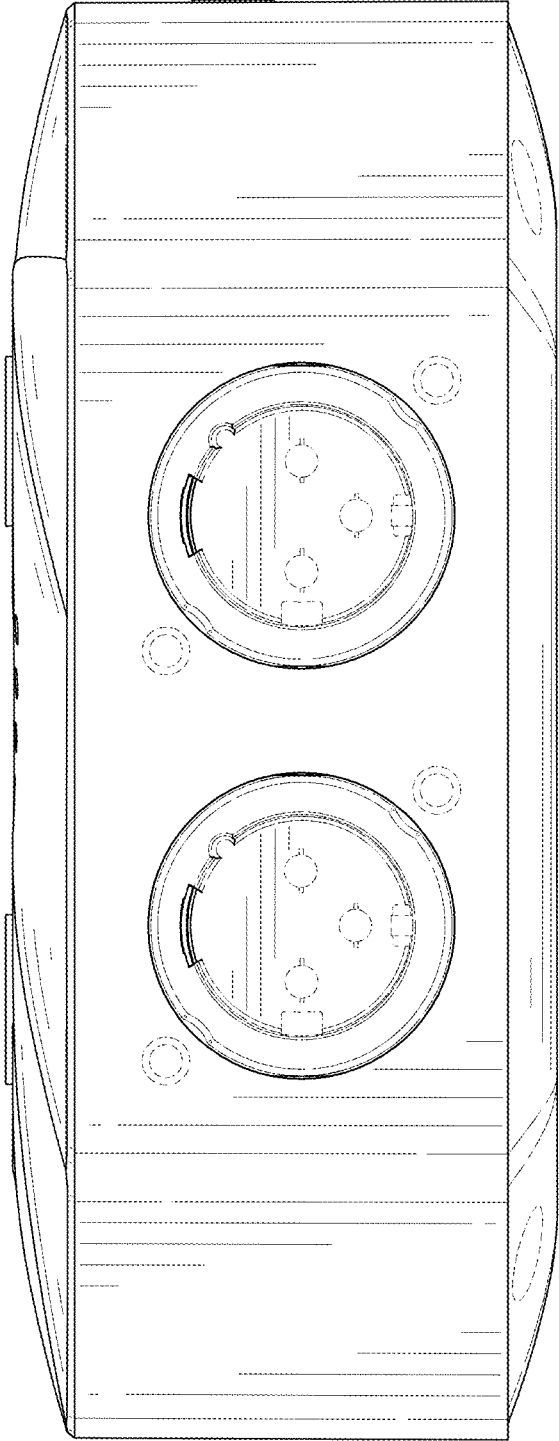


FIG. 4

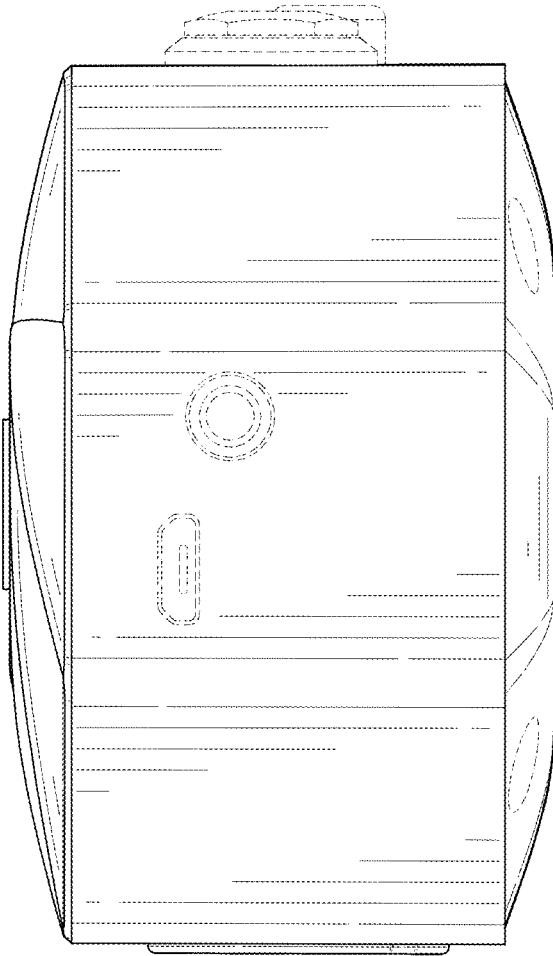


FIG. 5

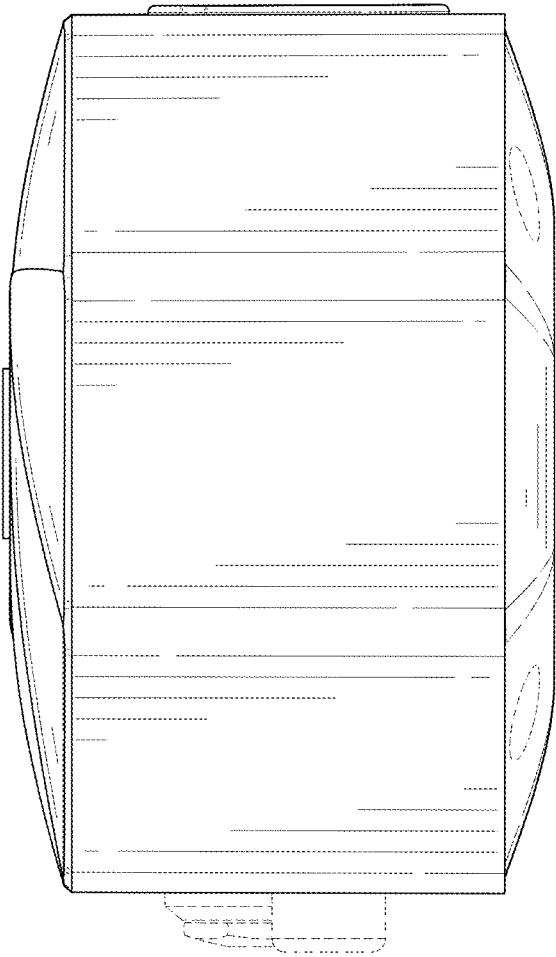


FIG. 6

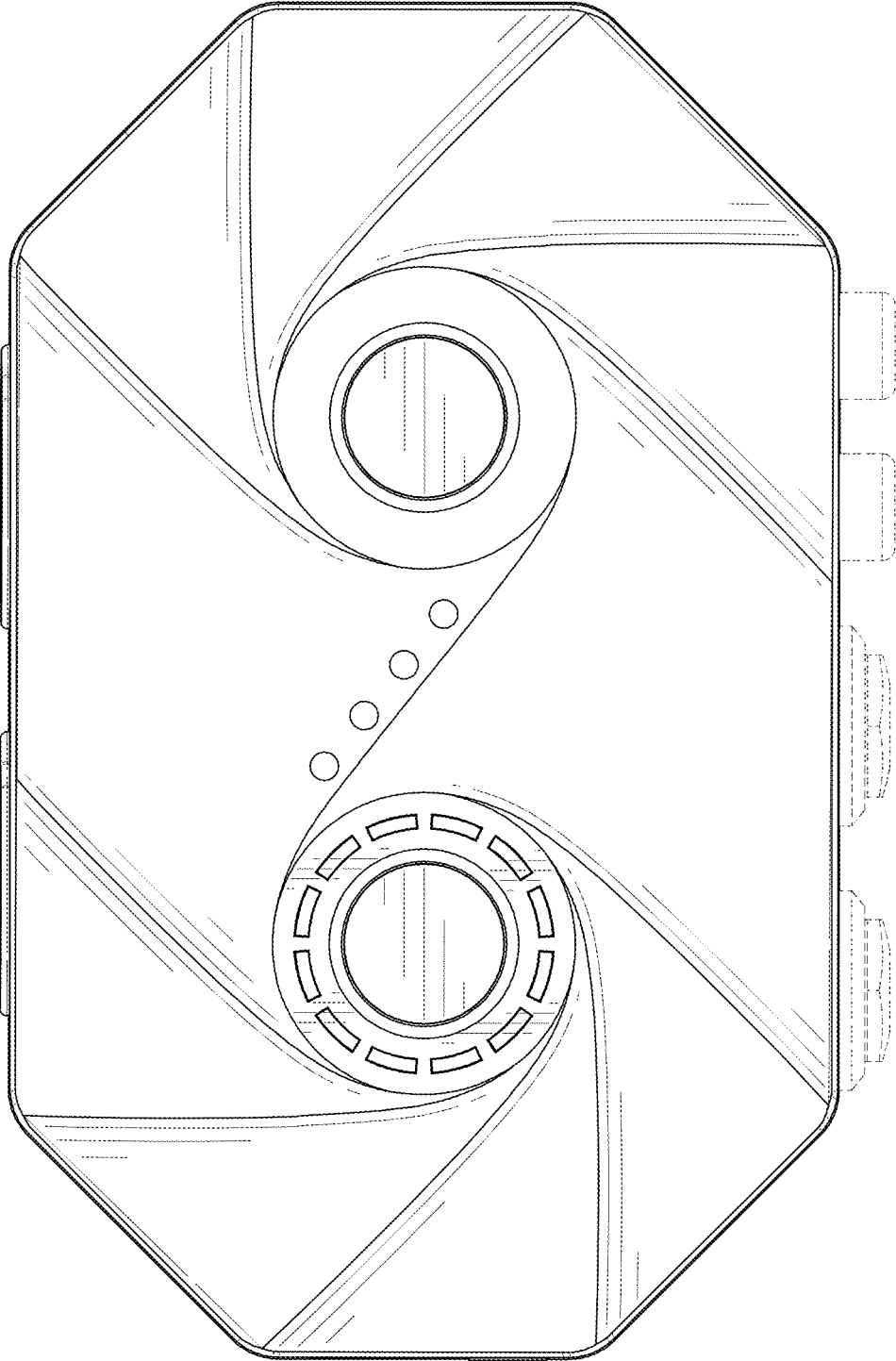


FIG. 7

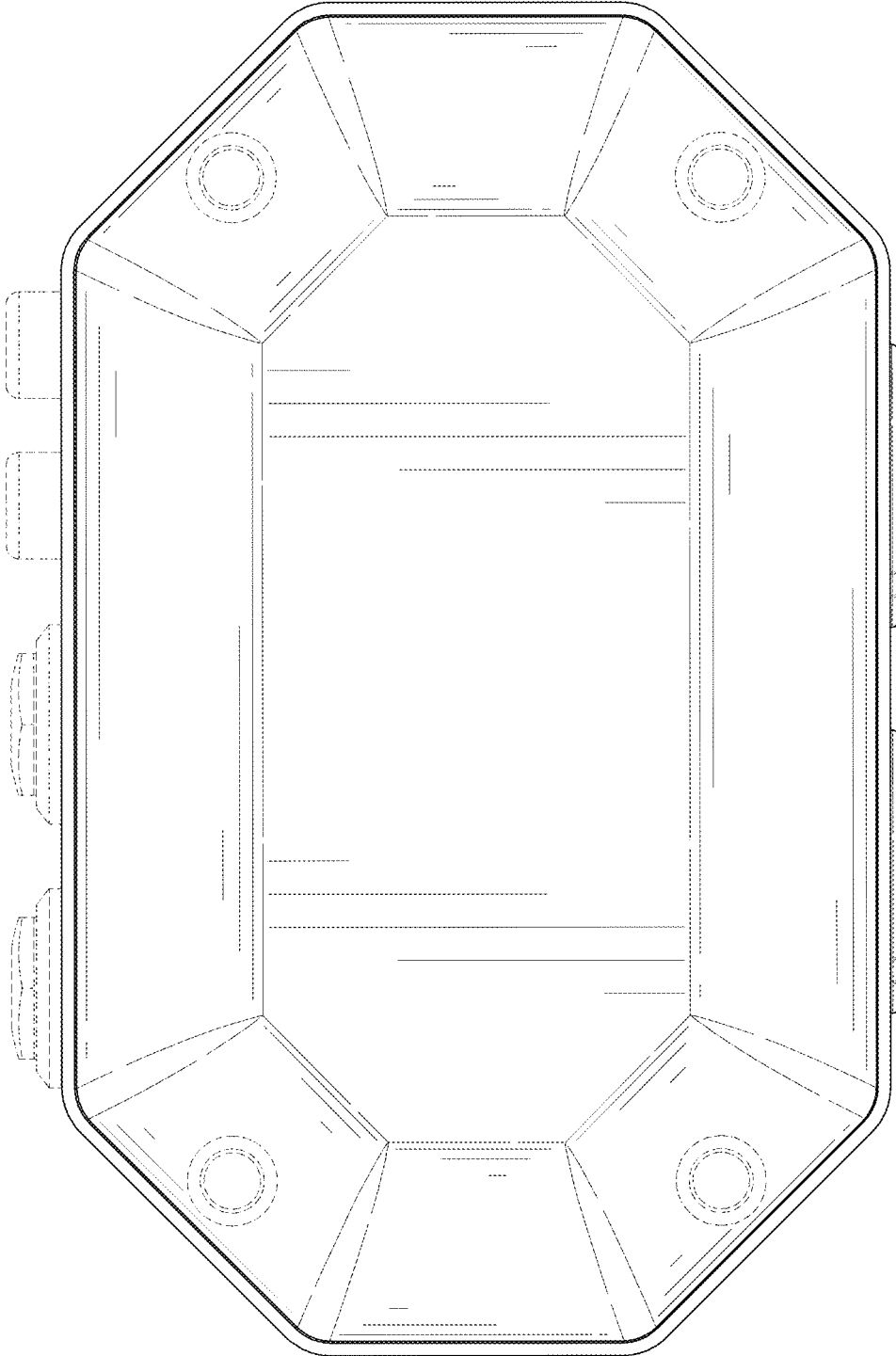


FIG. 8