



US0D1039787S

(12) **United States Design Patent**
Zhong

(10) **Patent No.:** **US D1,039,787 S**

(45) **Date of Patent:** **** Aug. 27, 2024**

- (54) **WEARABLE BLANKET**
- (71) Applicant: **Xiao Zhong**, Hangzhou (CN)
- (72) Inventor: **Xiao Zhong**, Hangzhou (CN)
- (**) Term: **15 Years**
- (21) Appl. No.: **29/939,680**

D968,760	S	*	11/2022	Speciale	D2/828
D969,458	S	*	11/2022	Speciale	D2/828
D970,154	S	*	11/2022	Speciale	D2/828
D980,584	S	*	3/2023	Tang	D2/828
D990,098	S	*	6/2023	Thurswell	D2/831
D990,099	S	*	6/2023	Yan	D2/831
D996,779	S	*	8/2023	Wen	D2/828
D997,492	S	*	9/2023	Zhang	D2/828
D998,285	S	*	9/2023	Yang	D2/750
D1,002,996	S	*	10/2023	He	D2/718
D1,003,001	S	*	10/2023	Yang	D2/828

(Continued)

- (22) Filed: **Apr. 29, 2024**
- (51) **LOC (14) Cl.** **02-01**
- (52) **U.S. Cl.**
USPC **D2/718; D2/828**
- (58) **Field of Classification Search**
USPC D2/718, 724, 728, 749-751, 825, 828,
D2/830, 831, 839, 840-842
CPC A41D 2200/20; A41D 1/04; A41D 15/04;
A41D 3/02; A41D 3/005; A41D 3/04;
A41D 3/08; A41D 27/10
See application file for complete search history.

Primary Examiner — Michelle E. Wilson
Assistant Examiner — Clese Moore, Jr.
 (74) *Attorney, Agent, or Firm* — Kunzler Bean & Adamson, PC; Alandra Adams

(57) **CLAIM**

The ornamental design for a wearable blanket, as shown and described.

DESCRIPTION

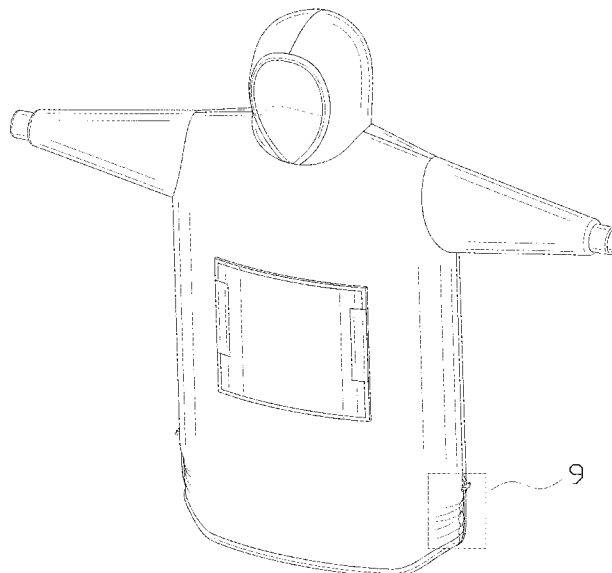
FIG. 1 is a front, right and top perspective view of a wearable blanket, showing my design.
 FIG. 2 is a rear, left and bottom perspective view thereof.
 FIG. 3 is a front elevation view thereof.
 FIG. 4 is a rear elevation view thereof.
 FIG. 5 is a left side elevation view thereof.
 FIG. 6 is a right side elevation view thereof.
 FIG. 7 is a top plan view thereof.
 FIG. 8 is a bottom plan view thereof.
 FIG. 9 is an enlarged view of detail 9 in FIG. 1; and,
 FIG. 10 is another front, right and top perspective view of the wearable blanket in a usable state.
 The dashed broken lines depict portions of the wearable blanket that form no part of the claimed design.
 The dot-dash broken lines in FIGS. 1 and 9 depict the boundaries of the enlargements that form no part of the claimed design.

(56) **References Cited**

U.S. PATENT DOCUMENTS

D626,310	S	*	11/2010	Cruz	D2/758
D728,900	S	*	5/2015	White	D2/750
D811,691	S	*	3/2018	Yassa	
D859,788	S	*	9/2019	Speciale	D2/828
D886,416	S	*	6/2020	Speciale	D2/828
D903,235	S	*	12/2020	Lv	D2/724
D903,237	S	*	12/2020	Speciale	D2/828
D905,380	S	*	12/2020	Speciale	D2/828
D912,369	S	*	3/2021	Wu	D2/750
D917,829	S	*	5/2021	Guo	D2/718
D932,739	S	*	10/2021	Bain	
D933,334	S	*	10/2021	Hsu	D2/750
D949,519	S	*	4/2022	Yang	D2/750
D950,198	S	*	5/2022	Guo	D2/831
D967,606	S	*	10/2022	Cao	D2/831
D967,607	S	*	10/2022	Liu	D2/831
D968,051	S	*	11/2022	Speciale	D2/828
D968,758	S	*	11/2022	Speciale	D2/828

1 Claim, 10 Drawing Sheets



(56)

References Cited

U.S. PATENT DOCUMENTS

D1,003,002	S	*	10/2023	Yang	D2/828
D1,007,104	S	*	12/2023	Chen	D2/724
D1,007,106	S	*	12/2023	Chen	D2/724

* cited by examiner

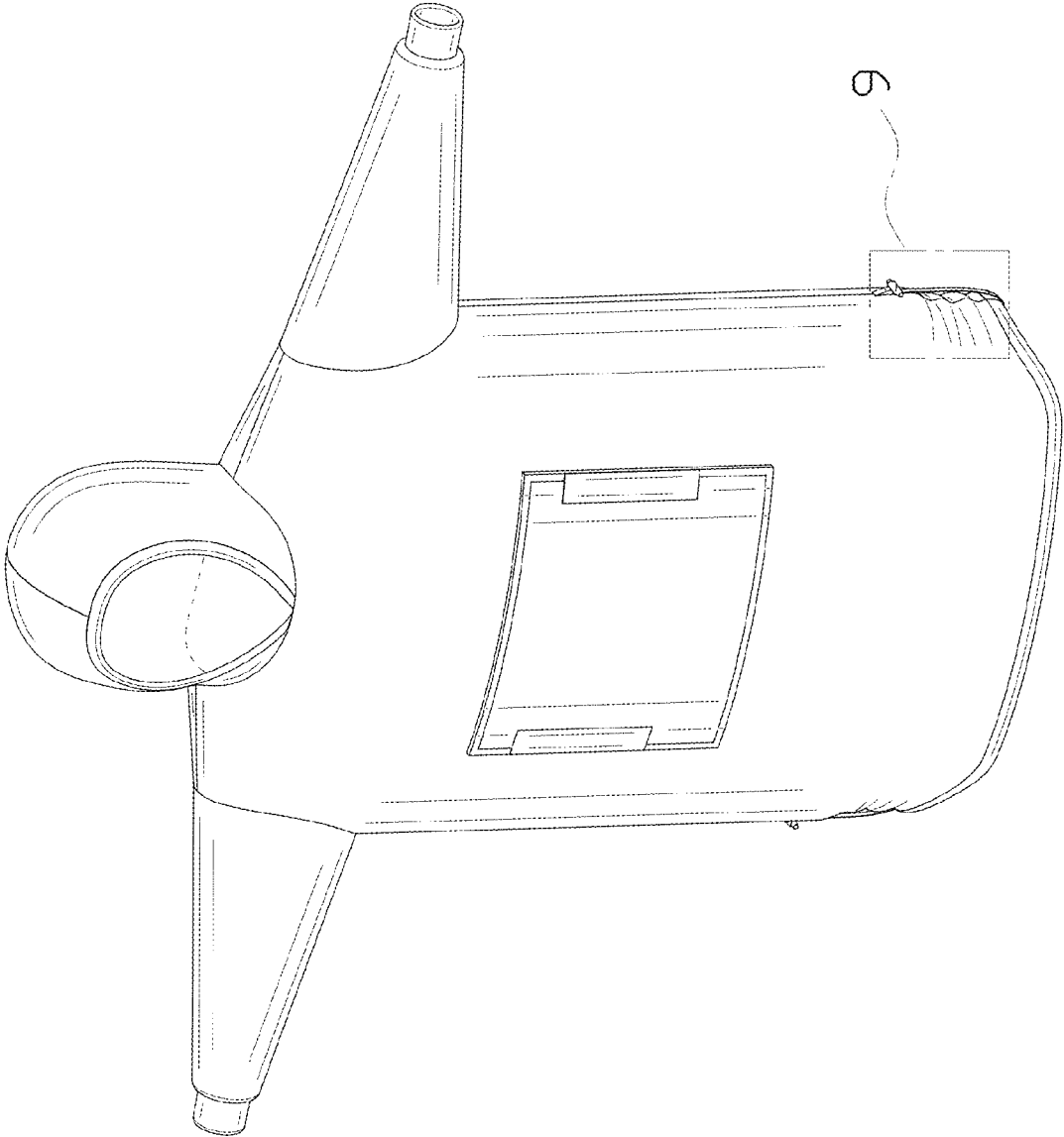


FIG. 1

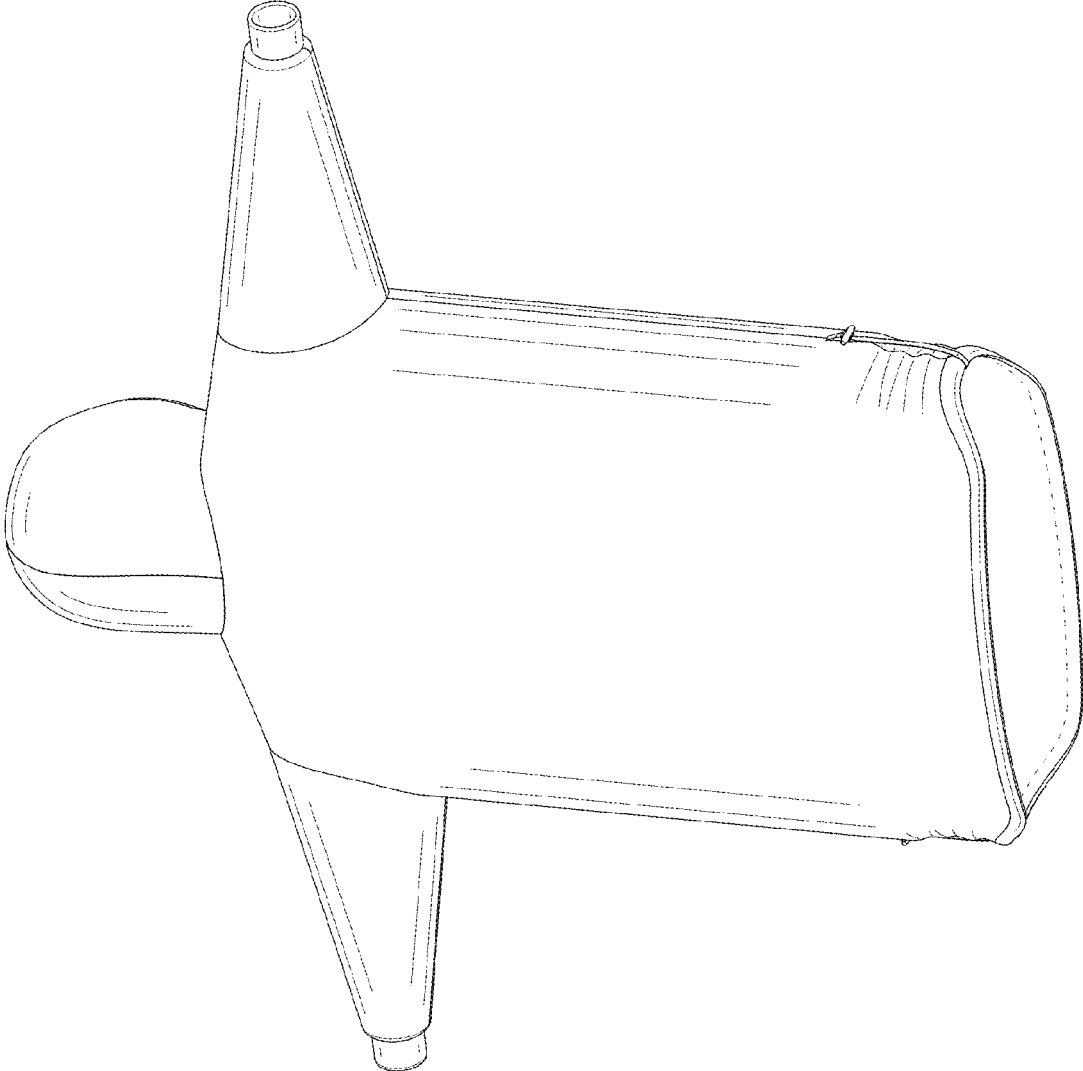


FIG. 2

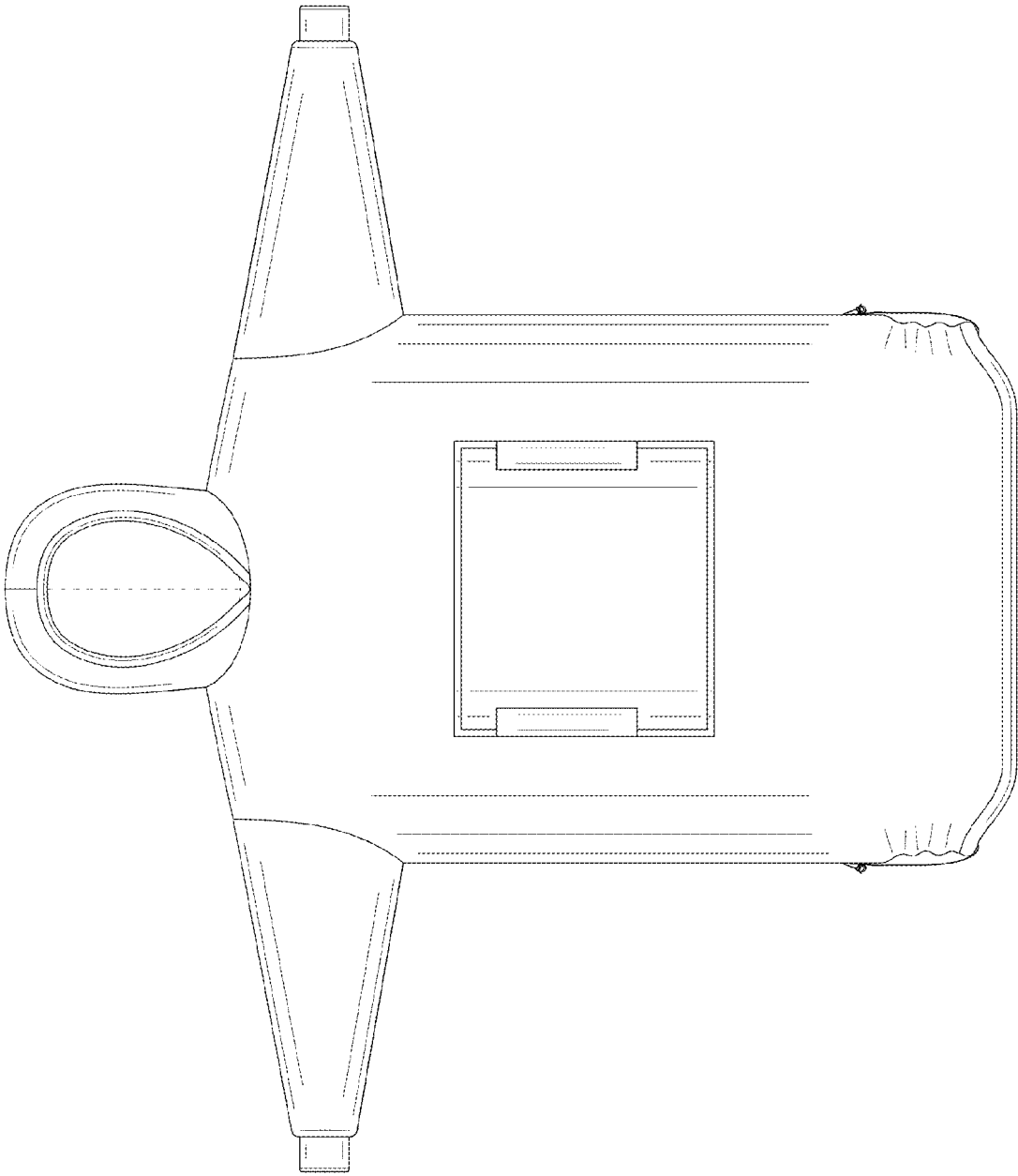


FIG. 3

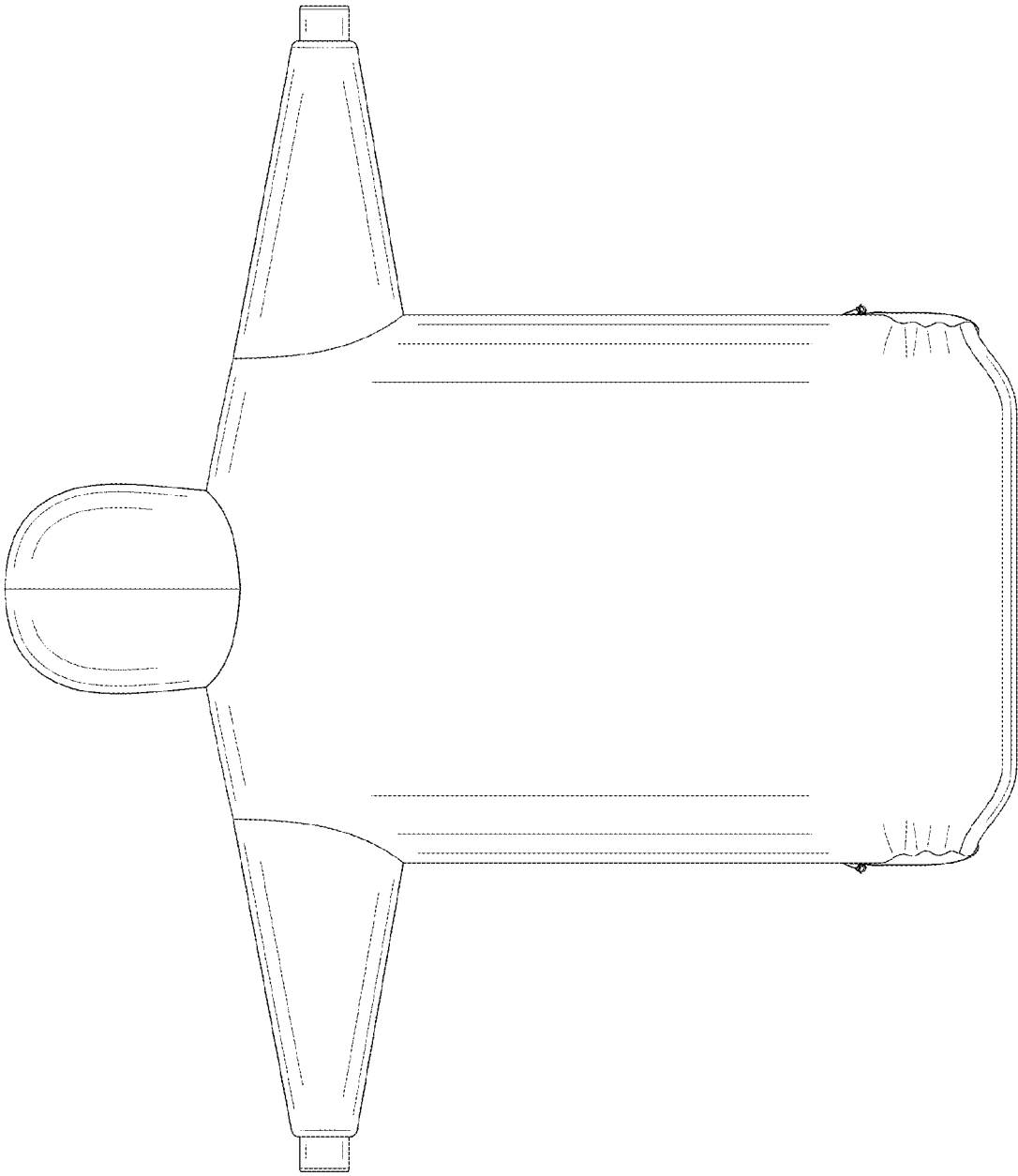


FIG. 4

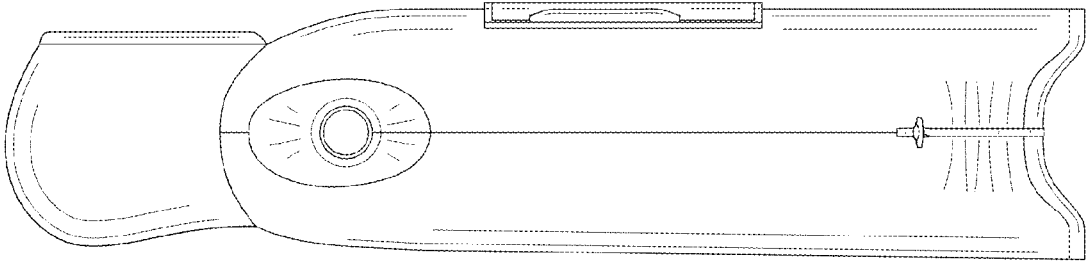


FIG. 5

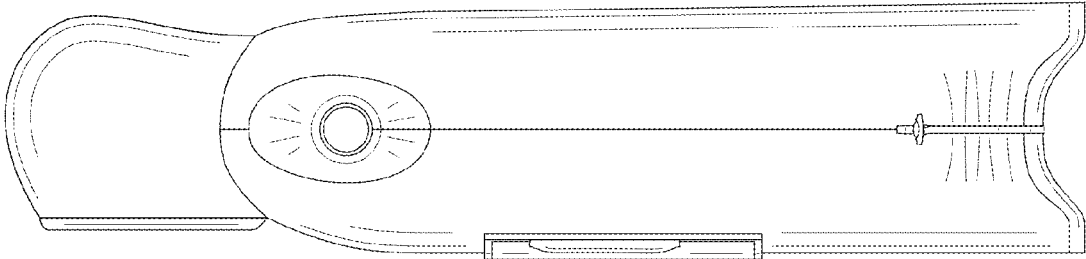


FIG. 6

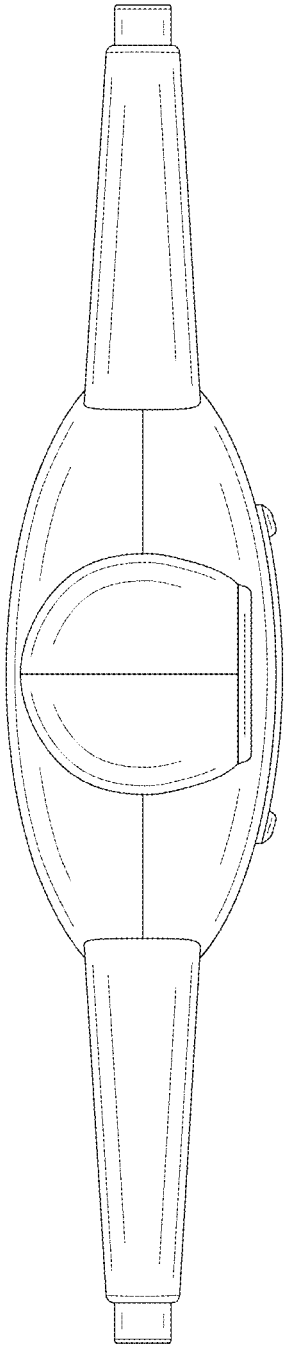


FIG. 7

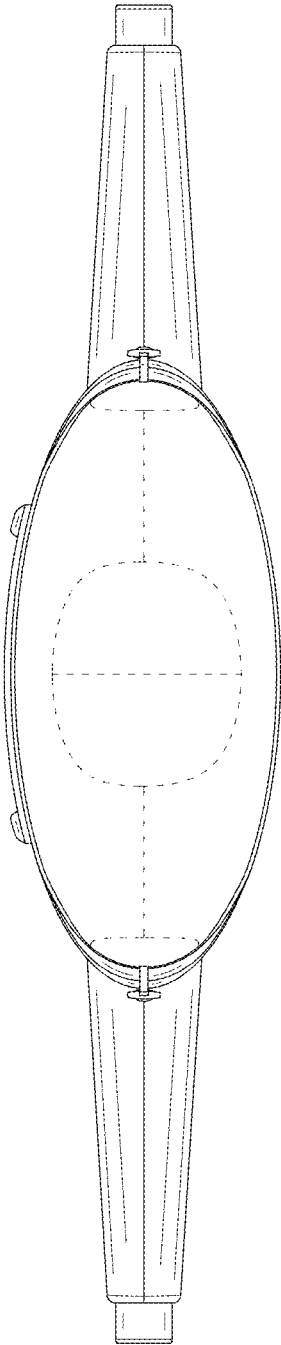


FIG. 8

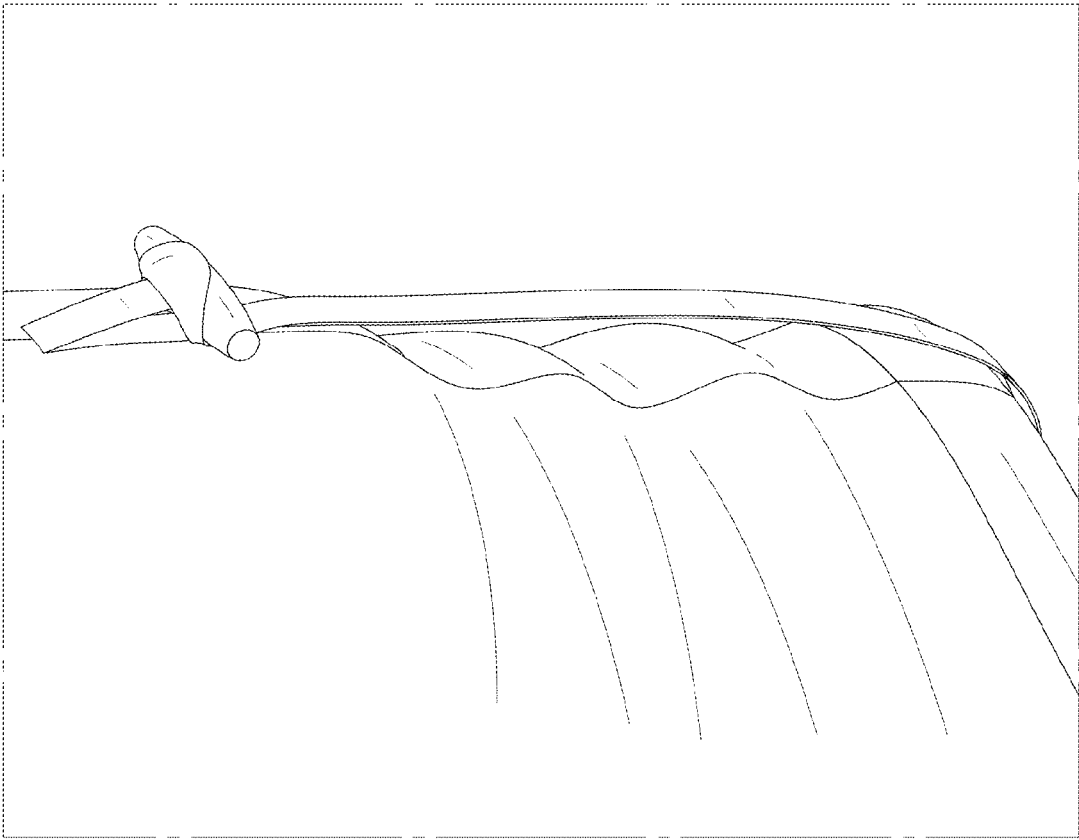


FIG. 9

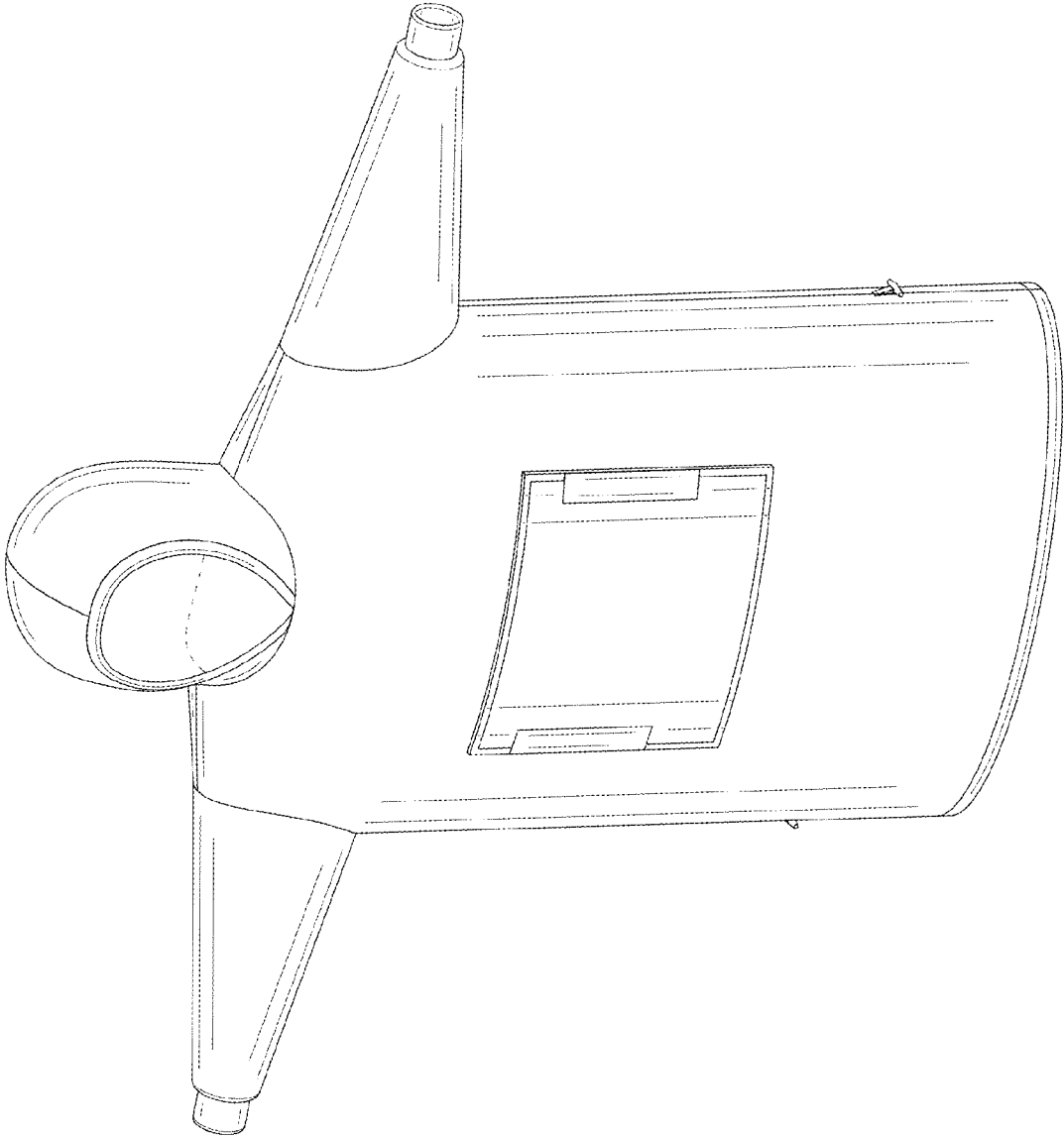


FIG. 10