



US00D736244S

(12) **United States Design Patent**
Kang

(10) **Patent No.:** **US D736,244 S**

(45) **Date of Patent:** **** Aug. 11, 2015**

(54) **ELECTRONIC DEVICE WITH A
TRANSITIONAL GRAPHICAL USER
INTERFACE**

(71) Applicant: **Samsung Electronics Co., Ltd.,
Suwon-Si, Gyeonggi-Do (KR)**

(72) Inventor: **Kyung-A Kang, Seoul (KR)**

(73) Assignee: **Samsung Electronics Co., Ltd.,
Gyeonggi-do (KR)**

(**) Term: **14 Years**

(21) Appl. No.: **29/433,874**

(22) Filed: **Oct. 5, 2012**

(51) **LOC (10) Cl.** **14-04**

(52) **U.S. Cl.**
USPC **D14/488**

(58) **Field of Classification Search**
USPC D14/485-95; D18/24-33; D19/6, 52;
D20/11; D21/324-33; 715/700-867,
715/973-77; D6/575, 578
CPC G06F 3/048-3/04897
See application file for complete search history.

(56) **References Cited**

U.S. PATENT DOCUMENTS

D341,848	S	*	11/1993	Bigelow et al.	D18/27
5,499,334	A	*	3/1996	Staab	715/778
D385,870	S	*	11/1997	Thomas	D14/491
5,690,340	A	*	11/1997	Musleh	273/459
D395,297	S	*	6/1998	Cheng et al.	D14/488
D398,299	S	*	9/1998	Ballay et al.	D14/488
7,051,291	B2	*	5/2006	Sciammarella et al.	715/838
7,178,111	B2	*	2/2007	Glein et al.	715/848
D554,144	S	*	10/2007	Hally et al.	D14/487
D555,662	S	*	11/2007	Nagata et al.	D14/487
D555,663	S	*	11/2007	Nagata et al.	D14/488
D568,892	S	*	5/2008	Stabb et al.	D14/485

D598,928	S	*	8/2009	Hirsch et al.	D14/485
D609,715	S	*	2/2010	Chaudhri	D14/486
7,657,846	B2	*	2/2010	Banks et al.	715/836
D611,053	S	*	3/2010	Kanga et al.	D14/485
D611,486	S	*	3/2010	Hirsch et al.	D14/485
D612,391	S	*	3/2010	Fletcher et al.	D14/486
D613,300	S	*	4/2010	Chaudhri	D14/488
D614,664	S	*	4/2010	Barcheck et al.	D14/493
D616,450	S	*	5/2010	Simons et al.	D14/486
D623,057	S	*	9/2010	Kletz	D9/434
D624,927	S	*	10/2010	Allen et al.	D14/486
D624,932	S	*	10/2010	Chaudhri	D14/488
D628,210	S	*	11/2010	Luke et al.	D14/486
D633,920	S	*	3/2011	Luke et al.	D14/488

(Continued)

Primary Examiner — Melanie H Tung

(74) *Attorney, Agent, or Firm* — Harness, Dickey & Pierce

(57) **CLAIM**

I claim the ornamental design for an electronic device with a transitional graphical user interface, as shown and described.

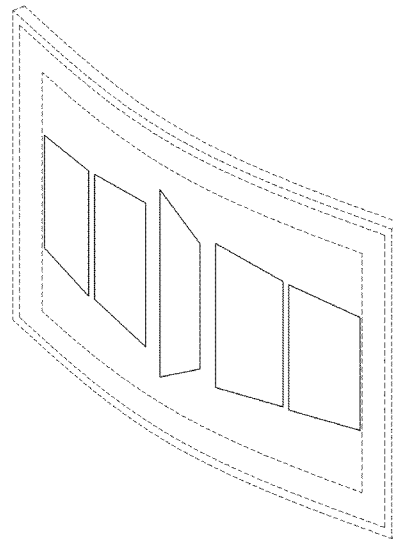
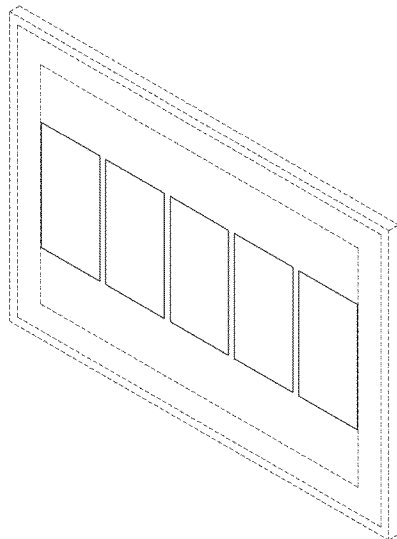
DESCRIPTION

FIG. 1 is a front perspective view of a first image of an electronic device with a transitional graphical user interface; FIG. 2 is a front perspective view of a second image thereof; FIG. 3 is a front perspective view of a third image thereof; FIG. 4 is a front perspective view of a fourth image thereof; and,

FIG. 5 is a front perspective view of a fifth image thereof. The appearance of the image transitions sequentially between the images shown in FIGS. 1-5. The process or period in which an image transitions to another forms no part of the claimed design. The transitional graphical user interface is viewed from the front perspective of the electronic device shown in the drawing.

The broken line showing of the electronic device in all views forms no part of the claimed design. The broken line showing of the electronic device is in a bent configuration in FIGS. 2-5.

1 Claim, 5 Drawing Sheets



(56)

References Cited

U.S. PATENT DOCUMENTS

D636,785 S *	4/2011	Brinda	D14/488	D682,842 S *	5/2013	Kurata et al.	D14/485
D637,198 S *	5/2011	Furuya et al.	D14/486	D683,345 S *	5/2013	Akana et al.	D14/341
D637,606 S *	5/2011	Luke et al.	D14/488	D688,676 S *	8/2013	Okumura et al.	D14/486
D645,872 S *	9/2011	Smith	D14/488	D692,456 S *	10/2013	Brinda et al.	D14/488
D647,915 S *	11/2011	Urdan et al.	D14/488	D693,833 S *	11/2013	Inose et al.	D14/485
D648,347 S *	11/2011	Chaudhri	D14/488	D695,755 S *	12/2013	Hwang et al.	D14/485
D650,799 S *	12/2011	Wantland et al.	D14/493	D697,079 S *	1/2014	Yuk et al.	D14/488
D663,312 S *	7/2012	David et al.	D14/487	D705,250 S *	5/2014	Khanna	D14/488
D663,313 S *	7/2012	David et al.	D14/487	D707,249 S *	6/2014	Yamada	D14/488
D663,314 S *	7/2012	David et al.	D14/487	D717,808 S *	11/2014	Tsuru et al.	D14/485
D667,020 S *	9/2012	MacKenzie et al.	D14/486	2006/0161868 A1 *	7/2006	Van Dok et al.	715/835
D682,306 S *	5/2013	DiJulio et al.	D14/488	2008/0046840 A1 *	2/2008	Melton et al.	715/825
				2009/0313578 A1 *	12/2009	Roh et al.	715/790
				2011/0138320 A1 *	6/2011	Vronay et al.	715/781

* cited by examiner

FIG. 1

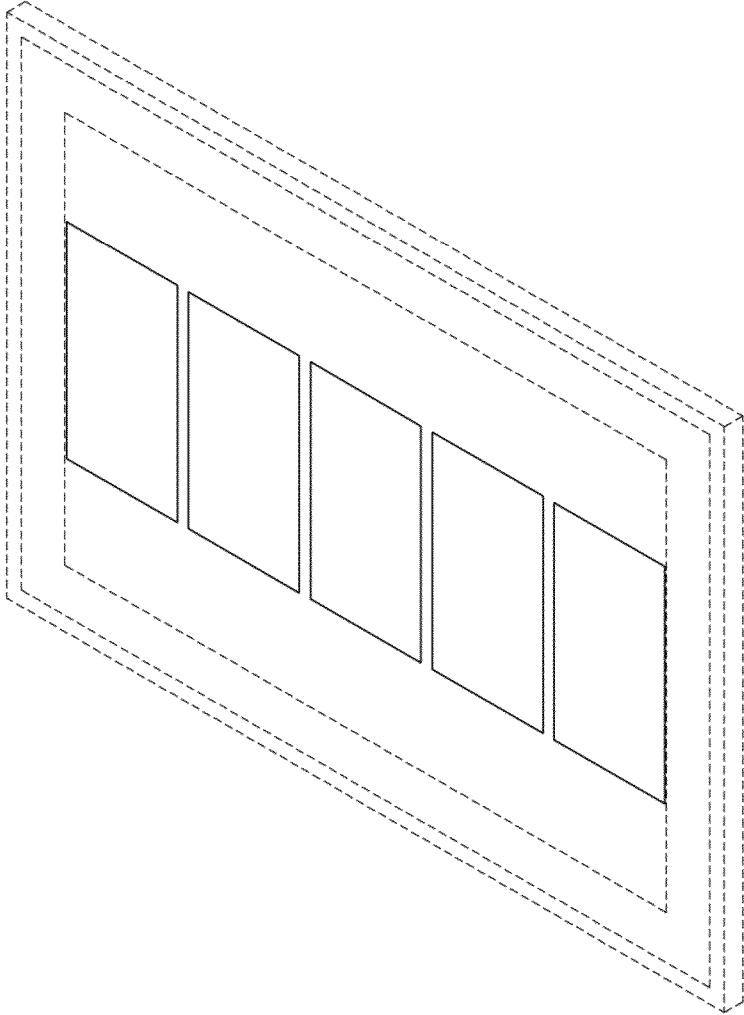


FIG. 2

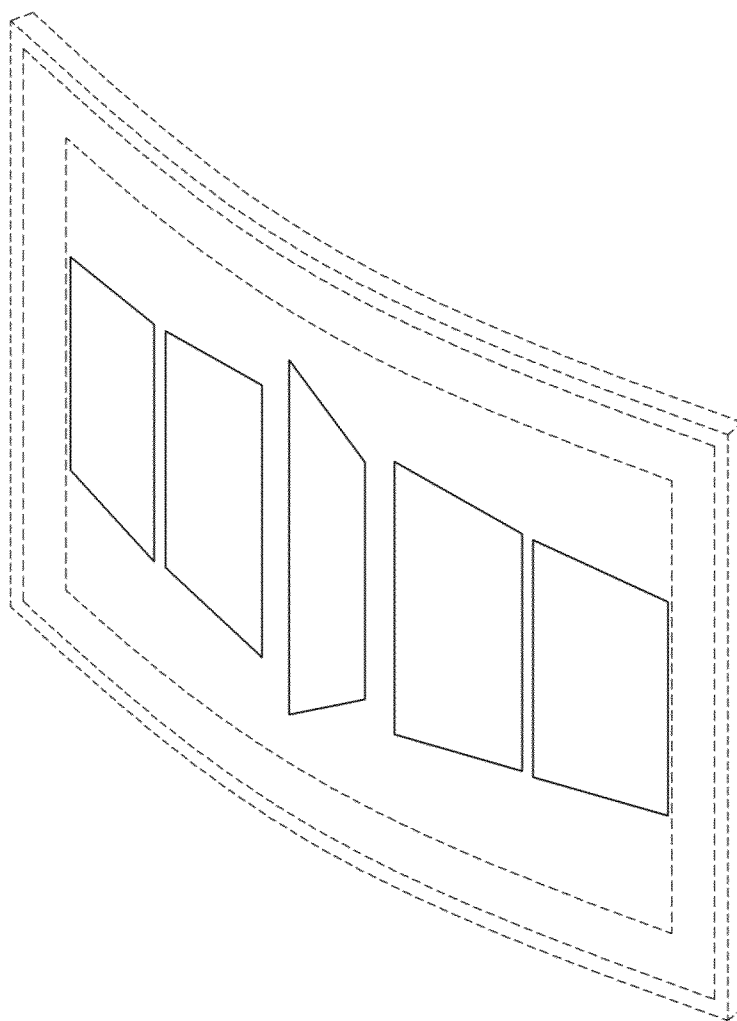


FIG. 3

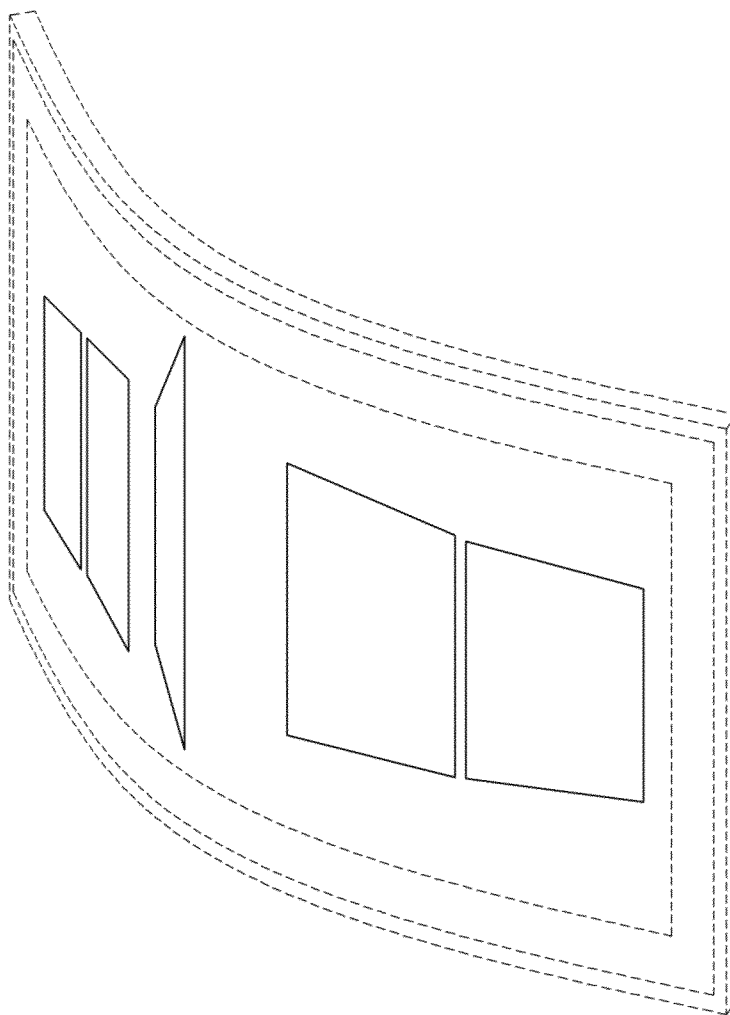


FIG. 4

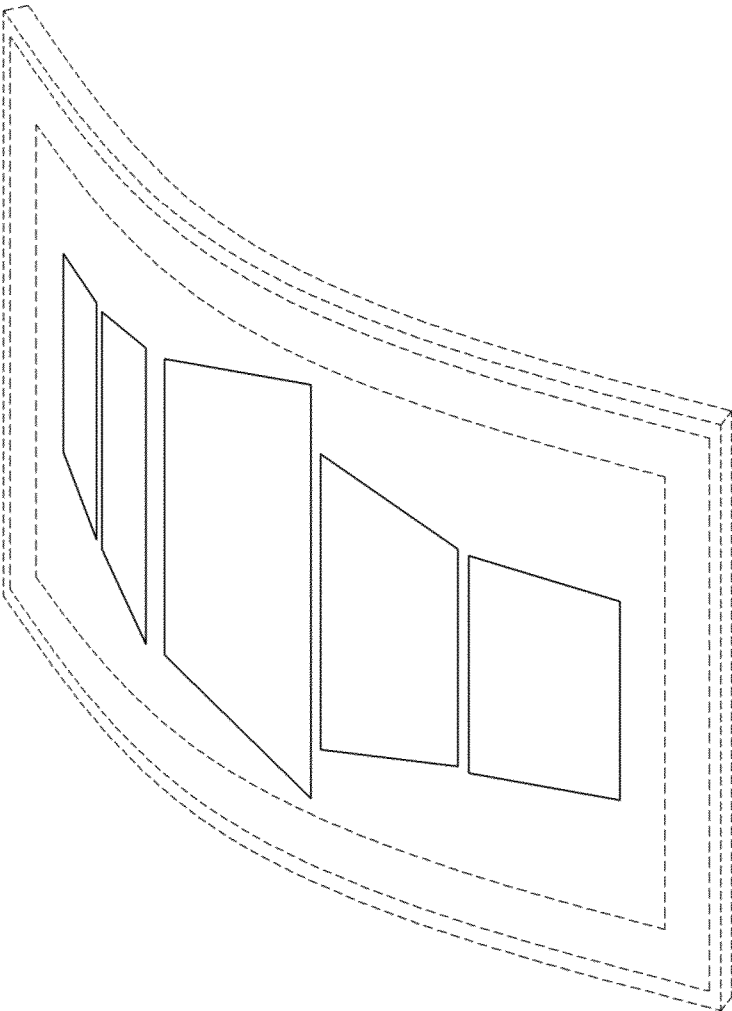
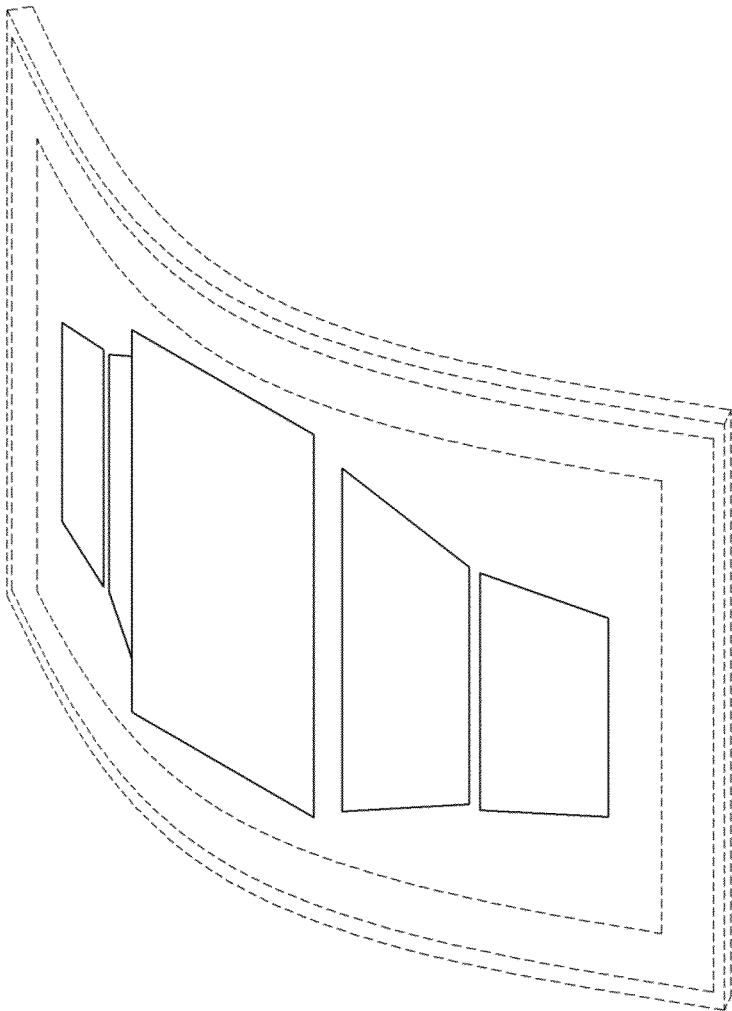


FIG. 5



UNITED STATES PATENT AND TRADEMARK OFFICE
CERTIFICATE OF CORRECTION

PATENT NO. : D736,244 S
APPLICATION NO. : 29/433874
DATED : August 11, 2015
INVENTOR(S) : Kyung-A Kang

Page 1 of 1

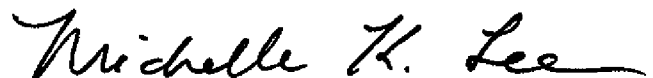
It is certified that error appears in the above-identified patent and that said Letters Patent is hereby corrected as shown below:

On The Title Page, insert item

-- (30) Foreign Application Priority Data

April 6, 2012 (KR)30-2012-0016477 --

Signed and Sealed this
Ninth Day of February, 2016



Michelle K. Lee
Director of the United States Patent and Trademark Office