

(19) World Intellectual Property Organization
International Bureau



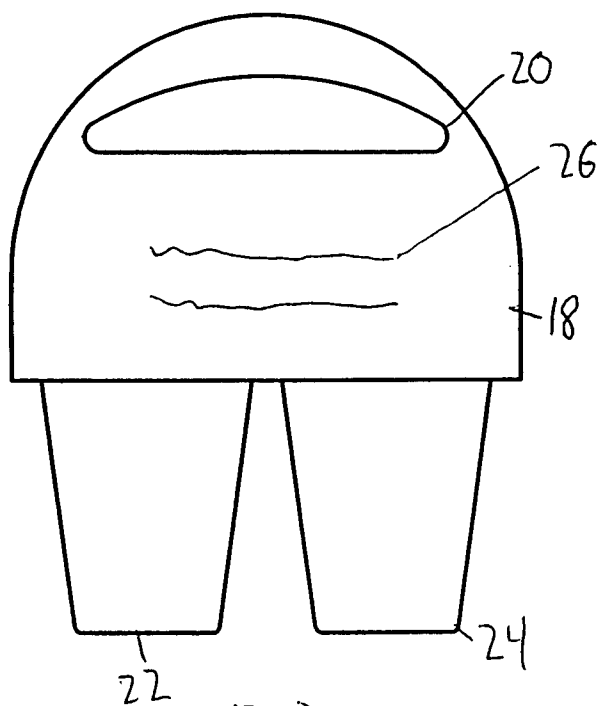
(43) International Publication Date
14 May 2009 (14.05.2009)

PCT

(10) International Publication Number
WO 2009/061505 A1

- (51) International Patent Classification:
B65D 75/00 (2006.01)
 - (21) International Application Number:
PCT/US2008/012630
 - (22) International Filing Date:
7 November 2008 (07.11.2008)
 - (25) Filing Language: English
 - (26) Publication Language: English
 - (30) Priority Data:
11/983,094 7 November 2007 (07.11.2007) US
 - (71) Applicant (for all designated States except US): C. WIGGINS HALL, INC. [US/US]; 153 Ridge Street, 4a, New York, NY 10002 (US).
 - (71) Applicant and
 - (72) Inventor: HALL, Charles, W. [US/US]; 153 Ridge Street, 4a, New York, NY 10002 (US).
 - (74) Agent: WEISS, Philip, M.; Weiss & Weiss, 300 Old Country Road, Suite 251, Mineola, NY 11501 (US).
 - (81) Designated States (unless otherwise indicated, for every kind of national protection available): AE, AG, AL, AM, AO, AT, AU, AZ, BA, BB, BG, BH, BR, BW, BY, BZ, CA, CH, CN, CO, CR, CU, CZ, DE, DK, DM, DO, DZ, EC, EE, EG, ES, FI, GB, GD, GE, GH, GM, GT, HN, HR, HU, ID, IL, IN, IS, JP, KE, KG, KM, KN, KP, KR, KZ, LA, LC, LK, LR, LS, LT, LU, LY, MA, MD, ME, MG, MK, MN, MW, MX, MY, MZ, NA, NG, NI, NO, NZ, OM, PG, PH, PL, PT, RO, RS, RU, SC, SD, SE, SG, SK, SL, SM, ST, SV, SY, TJ, TM, TN, TR, TT, TZ, UA, UG, US, UZ, VC, VN, ZA, ZM, ZW.
 - (84) Designated States (unless otherwise indicated, for every kind of regional protection available): ARIPO (BW, GH, GM, KE, LS, MW, MZ, NA, SD, SL, SZ, TZ, UG, ZM, ZW), Eurasian (AM, AZ, BY, KG, KZ, MD, RU, TJ, TM), European (AT, BE, BG, CH, CY, CZ, DE, DK, EE, ES, FI, FR, GB, GR, HR, HU, IE, IS, IT, LT, LU, LV, MC, MT, NL, NO, PL, PT, RO, SE, SI, SK, TR), OAPI (BF, BJ, CF, CG, CI, CM, GA, GN, GQ, GW, ML, MR, NE, SN, TD, TG).
- Published:**
— with international search report

(54) Title: CARRIER FOR BEVERAGE AND/OR FOOD



(57) Abstract: A carrier for food and/or beverages comprising: a foldable sheet comprising a single piece of paper or board with a one or more die cut slots to create holders for beverages. The foldable sheet when in a closed position forming at least two side walls, and a bottom where the die cut slots are located.

WO 2009/061505 A1

CARRIER FOR BEVERAGE AND/OR FOOD

Related Patents

The patent application is based on provisional patent application 60/904,810 filed March 5, 2007.

Field of the Invention

The present invention relates to a carrier for beverage and/or food which is made from a single sheet of material.

Background of the Invention

In 2006, over 200 million Americans attended arena and stadium events from concerts and theatrical productions, to professional and college sports. When persons attending these games go to the concession stand to buy food and beverage they are provided with a usually cardboard structure having a bottom, with no sides and no top and holes for receiving beverages.

US patent 4,399,939 relates to a paperboard for containing, holding and carrying a plurality of caramel or candy coated apples. The carton comprises an integral carton flat consisting of a bottom panel having two U-shaped slits near its ends which form tabs directed toward its ends, side panels integral with the side edges of the bottom panel folded upward, outward and then progressively inward to form the sides and top of the carton. Corner flaps are integral with the lower portion of the side panels folded inward. End panels are integral with the ends of the bottom panel folded up and over the corner flaps and interlocked into the tabs in the bottom panel. Handle panels are integral with the upper edges of the side

panels having hand holes therein, and sandwiching therebetween the free ends of the sticks in the apples for holding them in place.

U.S. Patent 2,513,762 relates to a device for carrying cups and ice cream cones. There is supplied a rectangular base portion with spaced apertures formed therein. Parallel longitudinal creases are formed in the blank defining sides. Handle portions are formed integral with the guides and apertures.

U.S. Patent 1,981,647 relates to a bottle carrier consisting of a single sheet scored to provide a bottom and a pair of opposed side walls. The side walls having hand receiving openings in their upper ends. A retaining band encircles the walls.

U.S. Patent 4,273,273 relates to a hand carrier for cans or bottles. The hand carrier is constructed that it grips the circumferential projections of the cans or bottles.

U.S. Patents 5,127,519 and 5,267,644 relates to a tuckable carrier including a one-piece paper or plastic board having a plurality of container holes formed in a central base plate portion, a pair of side-wing plate portions protruding sidewardly from the base plate. A pair of handle portions is formed on the two side-wing plate portions.

U.S. Patent 6,394,265 relates to a foldable corner means for simultaneously carrying central container and side container. The foldable corner includes a main corner having at least a bottom hole formed in a base plate for engaging and holding a central container, and having at least a lug formed on a side wall of the carrier, and at least a side container having a slot formed therein engageable with the lug of the main corner for hanging the side container on the side wall of the

main corner, simultaneously conveniently carrying a central container which may be filled with beverage and carrying a side container which may be filled with popcorn.

U.S. Patent 6,298,992 relates to a foldable carrying device which includes a base member having a bottom hole for inserting a food container, and two handle members formed on opposite ends of the base members and interlockable for portable use. Each handle member has a fastener directly cut out from the handle member, whereby upon interlocking of the two handle members allows the fastener to fasten a beverage cup which is loaded on the food container. The beverage cup is stacked on the food container.

U.S. Patents 1,448,866 and 1,140,540 relate to carriers for ice cream cones. A blank comprising a rectangular intermediate, oppositely disposed side members, and additional side extensions secured together by a fabric hinged joint construction. The intermediate portion has a series of circular openings.

U.S. Patent 6,183,027 relates to a foldable fast food carrying device having a paperboard having a front and rear wall upwardly folded from a bottom wall. At least a side cover is secured to a side portion of the device. A circular hole is cut out in the bottom wall for loading a cup. A partition member is bent upwardly from an edge portion of the circular hole to serve as a partition between the soft drink and food. Several bottom locations are provided on or in the bottom wall for storing food which is shielded by the side cover. A pair of handle members protrudes from the front and rear walls. The two handle members are interlocked.

U.S. Patent 5,957,276 relates to a paperboard blank storable in a flat condition ready for folding into a dual configuration food and beverage carrier. The blank is folded into an upright box with upward extending handle panels and end

walls with the handle panels extending from a box base around the side walls and meeting over the box as a handle or alternatively into an inverted box with downwardly extending side and end walls with handle panels extending from the base upward and away from the side walls. When the handle panels are folded toward and around the base side walls, the carrier encloses food stuff and can carry one or two cups placed through openings in the base.

U.S. Patent 5,743,389 relates to a reversible food and beverage carrier. Flat paper stock blank is disposed for assembly by folding it into an upright box with upward extending side walls and end walls with handle panels extending from the box base around the side walls and meeting over the box as a handle. Alternatively an inverted box with downwardly extending side and end walls with handle panels extending from the base upward and away from the side walls. The handle panels are folded toward and around the base side walls. One or more holes are provided in the base section for receiving cups and cones. Hinged sectors are provided at the hole parameter to cover the hole.

U.S. Patent Publication No. 2005/0211578 relates to a carrier for one or more cups. The cup carrier includes a one piece blank which can be folded to form a base with one or more openings for receiving a cup, that suspends the cup in an upright position when the carrier is supported by a handle structure positioned above the cups so that the force of gravity will maintain the cup or cups in an upright suspended position.

U.S. Patent 6,802,802 relates to a carrier for beverages formed of a sheet material such as plastic or paperboard which includes a bottom panel attached to side panels, a pair of opposed end panels connected to the bottom and side panels

and a central handle formed of two halves folded together. The handle is pivotal. The top panels are provided through a plurality of openings.

U.S. Patent 7,097,034 relates to a carrier that can cool or heat cans, bottles or other containers.

U.S. Patent 7,267,224 relates to a carrier having a folded panel central vertical support structure with a handle and a pair of trays or receptacles attached to the central support structure. Dividers separate each receptacle into three compartments.

Summary of the Invention

The present invention relates to a carrier which provides a vehicle for placing advertisements to reach consumers during recreational events, with a design that allows for a logo and messaging to be printed directly on the message carrier.

It is an object of the present invention for the device to carry multiple beverage containers. It is an object of the present invention for the device to hold liquid filled cups. It is an object of the present invention for the device to provide significant advertisement display area designed and positioned to provide enhanced visibility. It is an object of the present invention to provide a device that provides a vertical area for advertisement space while simultaneously carrying or holding beverage containers and/or food. It is an object of the present invention for the device to provide a completely flat vertical area having no creases.

It is an object of the present invention for the display area to be placed on the side walls of the device which provides a substantial vertical visible area . It is an object of the present invention to the carrier to provide heightened visibility to all persons proximate to the carrier.

It is an object of the present invention to provide a carrier that increase the revenue stream for sports franchises, universities and stadium authorities. It is an object of the present for the device to provide an additional forum for selling advertisement and branding space.

It is an object of the present invention for the carrier to comprise a foldable single piece of paper or board with a series of die cut slots to create holders for the beverages. It is an object of the present invention for the carrier to comprise corrugated cardboard (b-flute). It is an object of the present invention for the single piece of paper or board to form a bottom panel and two side panels. It is an object of the present invention for the single piece of paper or board to have two creases or scores which create a bottom panel and two side panels. It is an object of the present invention for the single piece of paper or board to have scores or creases which form the bottom panel and two side panels. It is an object of the present invention for the paper or board to be strong enough to hold food and beverages for transportation. It is an object of the present invention for the die cut slots to be large enough so that a cup or container can fit partially within the slot, but that the top part of the container be restrained from falling out of the slot. It is an object of the present invention for the die cut slots to engage and hold the beverage containers. It is an object of the present invention for the side walls to be flat so as to produce a large surface area for advertising. It is an object of the present invention for advertising to be placed on both side walls.

It is an object of the present invention for the carrier to protect the contents of the food and beverages stored in the carrier. It is an object of the present invention for the carrier to only have two side walls and a bottom wall to allow a

user to remove beverages and food from openings on the other sides of having no walls.

It is an object of the present invention for the carrier to further comprise a hand grip. It is an object of the present invention for the hand grip to be formed from die cut slots. It is an object of the present invention to have either a single slot for a single beverage or multiple slots for multiple beverages. It is an object of the present invention for the carrier to have two side walls. It is an object of the present invention for the handle to be formed by die cutting an opening on one side wall and a foldable tab with corresponding opening on the other side wall.

It is an object of the present invention for the carrier to be made by bringing the side walls together, and then inserting the tab through the opposite opening and up through the outside of the opposing side wall.

It is an object of the present invention for the carrier to be die cut from any suitable foldable sturdy material. It is an object of the present invention for the carrier to be stored in a flat stacked state. It is an object of the present invention for the carrier to be made of sheets of plastic or other materials that are printable.

It is an object of the present invention for the carrier to comprise a food tray. It is an object of the present invention for the food tray to have horizontal perforations. It is an object of the present invention for the food tray to have vertical perforations. It is an object of the present invention for the food tray to be placed between the die cut slots for the beverage containers. It is an object of the present invention for the food tray to be placed adjacent the die cut slots for the beverage containers.

It is an object of the present invention for the side walls to provide protection to the user from the beverages splashing the user.

Brief Description of the Drawings

Figure 1 is a top view of an embodiment of the present invention.

Figure 2 is an open side view of an embodiment of the present invention.

Figure 3 is a front view of an embodiment of the present invention.

Figure 4 is a closed side view of an embodiment of the present invention.

Figure 5 is a top view of an embodiment of the present invention.

Figure 6 is an open side view of an embodiment of the present invention.

Figure 7 is a front view of an embodiment of the present invention.

Figure 8 is a closed side view of an embodiment of the present invention.

Figure 9 is a top view of an embodiment of the present invention.

Figure 10 is an open side view of an embodiment of the present invention.

Figure 11 is a front view of an embodiment of the present invention.

Figure 12 is a closed side view of an embodiment of the present invention.

Figure 13 is a top view of an embodiment of the present invention.

Figure 14 is an open side view of an embodiment of the present invention.

Figure 15 is a front view of an embodiment of the present invention.

Figure 16 is a closed side view of an embodiment of the present invention.

Figure 17 is a top view of an embodiment of the present invention.

Figure 18 is an open side view of an embodiment of the present invention.

Figure 19 is a front view of an embodiment of the present invention.

Figure 20 is a closed side view of an embodiment of the present invention.

Figure 21 is a top view of an embodiment of the present invention.

Figure 22 is an open side view of an embodiment of the present invention.

Figure 23 is a front view of an embodiment of the present invention.

Figure 24 is a closed side view of an embodiment of the present invention.

Figure 25 is a top view of an embodiment of the present invention.

Figure 26 is an open side view of an embodiment of the present invention.

Figure 27 is a front view of an embodiment of the present invention.

Figure 28 is a closed side view of an embodiment of the present invention.

Figure 29 is a top view of an embodiment of the present invention.

Figure 30 is an open side view of an embodiment of the present invention.

Figure 31 is a front view of an embodiment of the present invention.

Figure 32 is a closed side view of an embodiment of the present invention.

Figure 33 is a top view of an embodiment of the present invention.

Figure 34 is an open side view of an embodiment of the present invention.

Figure 35 is a front view of an embodiment of the present invention.

Figure 36 is a closed side view of an embodiment of the present invention.

Figure 37 is a top view of an embodiment of the present invention.

Figure 38 is an open side view of an embodiment of the present invention.

Figure 39 is a front view of an embodiment of the present invention.

Figure 40 is a closed side view of an embodiment of the present invention.

Figure 41 is a top view of an embodiment of the present invention.

Figure 42 is an open side view of an embodiment of the present invention.

Figure 43 is a front view of an embodiment of the present invention.

Figure 44 is a closed side view of an embodiment of the present invention.

Figure 45 is a top view of an embodiment of the present invention.

Figure 46 is an open side view of an embodiment of the present invention.

Figure 47 is a front view of an embodiment of the present invention.

Figure 48 is a closed side view of an embodiment of the present invention.

Figure 49 is a top view of an embodiment of the present invention.

Figure 50 is an open side view of an embodiment of the present invention.

Figure 51 is a front view of an embodiment of the present invention.

Figure 52 is a closed side view of an embodiment of the present invention.

Figure 53 is a top view of an embodiment of the present invention.

Figure 54 is an open side view of an embodiment of the present invention.

Figure 55 is a front view of an embodiment of the present invention.

Figure 56 is a closed side view of an embodiment of the present invention.

Figure 57 is a top view of an embodiment of the present invention.

Figure 58 is an open side view of an embodiment of the present invention.

Figure 59 is a front view of an embodiment of the present invention.

Figure 60 is a closed side view of an embodiment of the present invention.

Figure 61 shows a side view of a locking device of the present invention.

Figure 62 shows a side view of a locking device of the present invention.

Figure 63 shows a top view of a locking device of the present invention.

Figure 64 shows a top view of a locking device of the present invention.

Figure 65 is a top view of an embodiment of the present invention.

Figure 66 is an open side view of an embodiment of the present invention.

Figure 67 is a front view of an embodiment of the present invention.

Figure 68 is a closed side view of an embodiment of the present invention.

Figure 69 shows a side view of an embodiment of the present invention.

Figure 70 shows a top view of an embodiment of the present invention.

Figure 71 shows a top view of the embodiment of the present invention.

Figure 72 shows a side view of the embodiment of the present invention.

Figure 73 shows an isometric view of the embodiment of the present invention.

Figure 74 shows an open unfolded view of the embodiment of the present invention.

Figure 75 shows an open unfolded view of the embodiment of the present invention.

Figure 76 shows an open unfolded view of the embodiment of the present invention.

Figure 77 shows an open unfolded view of the embodiment of the present invention.

Figure 78 shows an open unfolded view of the embodiment of the present invention.

Detailed Description of the Invention

Figure 1 shows a top view of the device of the present invention. Figure 1 shows the device 10 having two openings 12 and 14 for carrying beverages. Figure 2 shows the device 10 in the open side view position. The device 10 has side walls 16 and 18 and a flap 20. The device 10 is holding a beverage container 22. Figure 3 shows a front view of the device 10 showing side wall 18 and flap 20. The device is holding beverage containers 22 and 24. Advertising 26 can be placed on side wall 18. Figure 4 shows the device 10 in the holding side view position. Figure 4 shows the device 10 having 2 side walls 16 and 18, flap 20 and a beverage container 22.

Figure 5 shows a top view of the device 30 of the present invention. Figure 5 shows the device 30 having three openings 32, 34 and 36 for carrying beverages. Figure 6 shows the device 30 in the open side view position. The device 30 has side walls 38 and 40 and a flap 42. The device 30 is holding a beverage container 44. Figure 7 shows a front view of the device 30 showing side wall 38 and flap 42. The device is holding beverage containers 44, 46 and 48. Advertising 50 can be placed

on side wall 38. Figure 8 shows the device 30 in the holding side view position.

Figure 8 shows the device 30 having 2 side walls 38 and 40, flap 42 and a beverage container 44.

Figure 9 shows a top view of the device 50 of the present invention. Figure 9 shows the device 50 having four openings 52, 54, 56 and 58 for carrying beverages. Figure 10 shows the device 50 in the open side view position. The device 50 has side walls 60 and 62 and a flap 64. The device 50 is holding a beverage container 66. Figure 11 shows a front view of the device 50 showing side wall 62 and flap 64. The device is holding beverage containers 66, 68, 70 and 72. Advertising 74 can be placed on side wall 62. Figure 12 shows the device 50 in the holding side view position. Figure 12 shows the device 50 having 2 side walls 60 and 62, flap 64 and a beverage container 66.

Figure 13 shows a top view of the device 80 of the present invention. Figure 13 shows the device 80 having four openings 82, 84, 86 and 88 for carrying beverages. Figure 14 shows the device 80 in the open side view position. The device 80 has side walls 90 and 92 and a flap 94. The device 80 is holding beverage containers 96 and 98. Figure 15 shows a front view of the device 80 showing side wall 92 and flap 94. The device is holding beverage containers 96 and 98. Advertising 100 can be placed on side wall 92. Figure 16 shows the device 80 in the holding side view position. Figure 16 shows the device 80 having 2 side walls 90 and 92, flap 94 and beverage containers 96 and 98.

Figure 17 shows a top view of the device 102 of the present invention. Figure 17 shows the device 102 having two openings 104, and 106 for carrying beverages. Figure 18 shows the device 102 in the open side view position. The device 102 has

side walls 108 and 110 and a flap 112. The device 102 is holding beverage containers 114 and 116. Figure 19 shows a front view of the device 102 showing side wall 110 and flap 112. The device is holding beverage containers 114 and 116. Advertising 118 can be placed on side wall 110. Figure 20 shows the device 102 in the holding side view position. Figure 20 shows the device 102 having 2 side walls 108 and 110, flap 112 and beverage container 114.

Figure 21 shows a top view of the device 120 of the present invention. Figure 21 shows the device 120 having three openings 122, 124 and 126 for carrying beverages. Figure 22 shows the device 120 in the open side view position. The device 120 has side walls 128 and 130 and a flap 132. The device 120 is holding beverage container 134. Figure 23 shows a front view of the device 120 showing side wall 130 and flap 132. The device is holding beverage containers 134, 136 and 138. Advertising 140 can be placed on side wall 130. Figure 24 shows the device 120 in the holding side view position. Figure 24 shows the device 120 having 2 side walls 128 and 130, flap 132 and beverage container 134.

Figure 25 shows a top view of the device 150 of the present invention. Figure 25 shows the device 150 having four openings 152, 154, 156 and 158 for carrying beverages. Figure 26 shows the device 150 in the open side view position. The device 150 has side walls 160 and 162 and a flap 164. The device 150 is holding beverage container 168. Figure 27 shows a front view of the device 150 showing side wall 162 and flap 164. The device is holding beverage containers 168, 170, 172 and 174. Advertising 176 can be placed on side wall 162. Figure 28 shows the device 150 in the holding side view position. Figure 28 shows the device 150 having 2 side walls 160 and 162, flap 164 and beverage container 168.

Figure 29 shows a top view of the device 180 of the present invention. Figure 29 shows the device 180 having four openings 182, 184, 186 and 188 for carrying beverages. Figure 30 shows the device 180 in the open side view position. The device 180 has side walls 190 and 192 and a flap 194. The device 180 is holding beverage containers 196 and 198. Figure 31 shows a front view of the device 180 showing side wall 192 and flap 194. The device is holding beverage containers 196, and 198. Advertising 200 can be placed on side wall 192. Figure 32 shows the device 180 in the holding side view position. Figure 32 shows the device 180 having 2 side walls 190 and 192, flap 194 and beverage containers 196 and 198.

Figure 33 shows a top view of the device 210 of the present invention. Figure 33 shows the device 210 having two openings 212 and 214 for carrying beverages. The device further has a food tray 216 having horizontal perforation 218. Figure 34 shows the device 210 in the open side view position. The device 210 has side walls 220 and 222 and a flap 224. The device 210 is holding beverage container 226. Figure 35 shows a front view of the device 210 showing side wall 222 and flap 224. The device is holding beverage containers 226, and 228. Advertising 230 can be placed on side wall 222. Food tray 216 is also shown. Figure 36 shows the device 210 in the holding side view position. Figure 36 shows the device 210 having 2 side walls 220 and 222, flap 224 and beverage container 226.

Figure 37 shows a top view of the device 240 of the present invention. Figure 37 shows the device 240 having two openings 242 and 244 for carrying beverages. The device further has a food tray 246 having horizontal perforation 248. Figure 38 shows the device 240 in the open side view position. The device 240 has side walls 250 and 252 and a flap 254. The device 240 is holding beverage container 256.

Figure 39 shows a front view of the device 240 showing side wall 252 and flap 254. The device is holding beverage containers 256, and 258. Advertising 260 can be placed on side wall 252. Food tray 246 is also shown. Figure 40 shows the device 240 in the holding side view position. Figure 40 shows the device 240 having 2 side walls 250 and 252, flap 254 and beverage container 256.

Figure 41 shows a top view of the device 270 of the present invention. Figure 41 shows the device 270 having three openings 272, 274 and 276 for carrying beverages. The device further has a food tray 278. Figure 42 shows the device 270 in the open side view position. The device 270 has side walls 280 and 282 and a flap 284. The device 270 is holding beverage containers 286 and 288. Figure 43 shows a front view of the device 270 showing side wall 282 and flap 284. The device is holding beverage containers 286, and 288. Advertising 290 can be placed on side wall 282. Food tray 278 is also shown. Figure 44 shows the device 270 in the holding side view position. Figure 44 shows the device 270 having 2 side walls 280 and 282, flap 284 beverage containers 286 and 288 and food tray 278.

Figure 45 shows a top view of the device 300 of the present invention. Figure 45 shows the device 300 having three openings 302, 304 and 306 for carrying beverages. The device further has a food tray 308. Figure 46 shows the device 300 in the open side view position. The device 300 has side walls 310 and 312 and a flap 314. The device 300 is holding beverage containers 316 and 318. Figure 47 shows a front view of the device 300 showing side wall 312 and flap 314. The device is holding beverage containers 316, and 318. Advertising 320 can be placed on side wall 312. Food tray 308 is also shown. Figure 48 shows the device 300 in

the holding side view position. Figure 48 shows the device 300 having 2 side walls 310 and 312, flap 314 beverage containers 316 and 318 and food tray 308.

Figure 49 shows a top view of the device 330 of the present invention. Figure 49 shows the device 330 having two openings 332 and 334 for carrying beverages. The device further has a food tray 336 with a horizontal perforation 338. Figure 50 shows the device 330 in the open side view position. The device 330 has side walls 340 and 342 and a flap 344. The device 330 is holding beverage container 346. Figure 51 shows a front view of the device 330 showing side wall 342 and flap 344. The device is holding beverage containers 346, and 348. Advertising 350 can be placed on side wall 342. Food tray 336 is also shown. Figure 52 shows the device 330 in the holding side view position. Figure 52 shows the device 330 having 2 side walls 340 and 342, flap 344 beverage containers 346 and 348 and food tray 336.

Figure 53 shows a top view of the device 360 of the present invention. Figure 53 shows the device 360 having four openings 362, 364, 366, and 368 for carrying beverages. The device further has a food tray 370 with a vertical perforation 372. Figure 54 shows the device 360 in the open side view position. The device 360 has side walls 374 and 376 and a flap 378. The device 360 is holding beverage containers 380 and 382. Figure 55 shows a front view of the device 360 showing side wall 376 and flap 378. The device is holding beverage containers 380, and 382. Advertising 384 can be placed on side wall 376. Food tray 370 is also shown. Figure 56 shows the device 360 in the holding side view position. Figure 56 shows the device 360 having 2 side walls 374 and 376, flap 378, beverage containers 380 and 382, and food tray 370.

Figure 57 shows a top view of the device 390 of the present invention. Figure 57 shows the device 390 having four openings 392, 394, 396, and 398 for carrying beverages. The device further has a food tray 400 with a vertical perforation 402. Figure 58 shows the device 390 in the open side view position. The device 390 has side walls 404 and 406 and a flap 408. The device 390 is holding beverage containers 410 and 412. Figure 59 shows a front view of the device 390 showing side wall 406 and flap 408. The device is holding beverage containers 410, and 412. Advertising 414 can be placed on side wall 406. Food tray 400 is also shown. Figure 60 shows the device 390 in the holding side view position. Figure 60 shows the device 390 having 2 side walls 404 and 406, flap 408, beverage containers 410 and 412, and food tray 400.

Figure 61 shows a side view of a locking device 500 in the open position having flap 502. Figure 62 shows a side view of a locking device 500 in the closed position having flap 502. Figure 63 shows a top view of a locking device 500 in the open position having flap 502. Figure 64 shows a top view of a locking device 500 in the closed position having flap 502.

Figure 65 shows a top view of the device 420 of the present invention. Figure 65 shows the device 420 having four openings 422, 424, 426, and 428 for carrying beverages. The device further has a food tray 430 having a cross perforation 431. Figure 66 shows the device 420 in the open side view position. The device 420 has side walls 432 and 434 and a flap 436. The device 420 is holding beverage container 438. Figure 67 shows a front view of the device 420 showing side wall 434 and flap 436. The device is holding beverage containers 438, and 440. Advertising 442 can be placed on side wall 434. Food tray 430 is also shown.

Figure 68 shows the device 420 in the holding side view position. Figure 68 shows the device 420 having 2 side walls 432 and 434, flap 436, beverage container 438 and food tray 430.

Figure 69 shows a side view of a device 450 having side walls 452 and 454 and a bottom 456. Figure 70 shows the device 450 in its full open position. The device 450 has four openings 458, 460, 462 and 464 in the bottom 456. Each of the side walls 452 and 454 have a flap 466 and 468 respectively.

Figure 71 shows a box 500 wherein a box having a flat bottom 502 and side walls 504, 506, 508 and 510 perforated blades 512 for coupons are located on each side wall. Two attachment means 514 and 516 are located on side wall 508 for attaching to attachment means 518 and 520 located on side walls 510 and 506. The attachment means can comprise glue, staples or other devices for attaching the side walls together. Tear off coupons 522 can be within the box or also can be located on the side walls.

Figure 72 shows a side view of the box 500 assembled.

Figure 73 shows the fully assembled box 500 having the coupon 522.

Figure 74 shows an embodiment of box 550 in its unassembled state. Box 550 has a flat bottom section 552 and side walls 554, 556, 558 and 560. Side walls 556 and 560 have pieces 562, 564, 566 and 568, respectively. The pieces 562 and 564 are placed in slots 570 and 572 located on side walls 554 and 558, respectively. By placing these pieces into the slots, the side walls are then placed in its folded and assembled construction. Coupons 574 and 576 are located on side walls 554 and 558, respectively. Once the coupons are removed, the empty spaces can be used as a handle.

Figure 75 shows a box 600 having the same features as the box shown in Figure 74, it further has thumb holes 604 and 606 and finger grip 602 for assisting a person in holding box 600.

Figure 76 shows a holder 700 in its unassembled flat view. Holder 700 has advertising displays 702 and 704, has cup openings 706 and handles 708.

Figure 77 shows a holder 750 in its unassembled flat view. Holder 750 has advertising displays 752 and 754, has cup openings 756 and handles 758.

Figure 78 shows an unassembled and uncut box 800 in its unassembled and uncut flat view. Box 800 has advertising displays 802 and 804 and coupons 806 and 808.

Claims

1. A carrier for food and/or beverages comprising:
a foldable sheet comprising a single piece of paper or board with a one or more die cut slots to create holders for beverages;
said foldable sheet when in a closed position forming at least two side walls, and a bottom where said die cut slots are located.
2. The carrier of claim 1 wherein said sheet comprises corrugated cardboard (b-flute).
3. The carrier of claim 1 further comprising a hand grip.
4. The carrier of claim 3 wherein said hand grip is formed from die cut slots.
5. The carrier of claim 1 wherein said hand grip is formed by die cutting an opening on one side wall and a foldable tab with corresponding opening on a second side wall.
6. The carrier of claim 1 wherein said carrier is made by bringing said side walls together, and then inserting a tab on one of said side walls through an opposite opening and up through outside of said opposing side wall.
7. The carrier of claim 1 wherein said carrier is stored in a flat stacked state.
8. The carrier of claim 1 wherein said carrier is made of a material that is printed on.
9. The carrier of claim 1 wherein said carrier is made of at least one sheet of plastic.
10. The carrier of claim 1 wherein at least one of said side walls is a vehicle for placing advertisements

11. The carrier of claim 1 wherein said side wall allows for a logo and messaging to be printed directly on said carrier.
12. The carrier of claim 1 wherein said carrier holds liquid filled cups.
13. The carrier of claim 1 wherein said carrier provides a vertical area for advertisement space while simultaneously carrying or holding beverage containers and/or food.
14. The carrier of claim 1 further comprising a food tray.
15. The carrier of claim 14 wherein said food tray has a horizontal perforation.
16. The carrier of claim 14 wherein said food tray has a vertical perforation.
17. The carrier of claim 1 wherein said die cut slots are all in one row.
18. The carrier of claim 1 wherein said die cut slots are in two rows.
19. The carrier of claim 14 wherein said food tray is between said die cut slots.
20. The carrier of claim 14 wherein said food tray is located adjacent said die cut slots.
21. A box comprising:
 - a flat bottom;
 - four side walls;
 - tear away coupons located on any of the side walls and/or said flat bottom;
 - attachment means for attaching said side walls together.
22. The box of Claim 1 wherein said flat bottom has thumb holes and a finger grip.

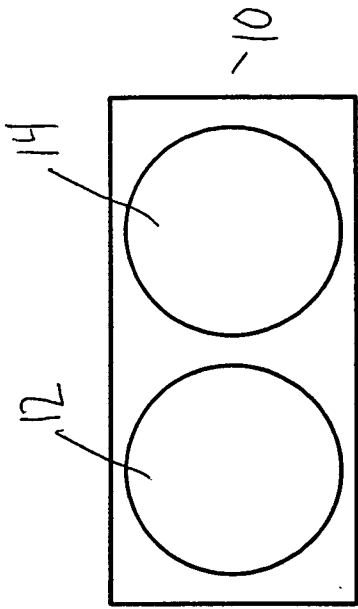


Fig. 1

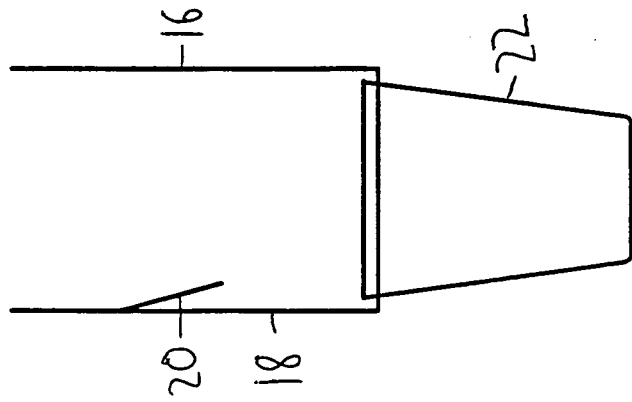


Fig. 2

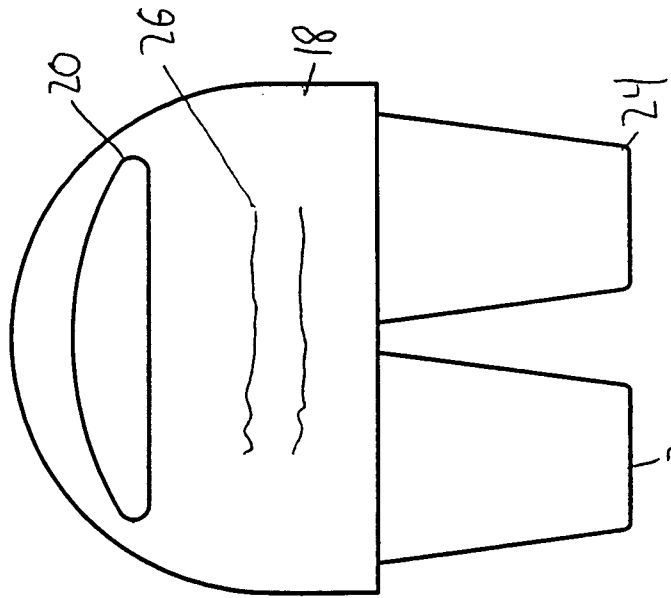


Fig. 3

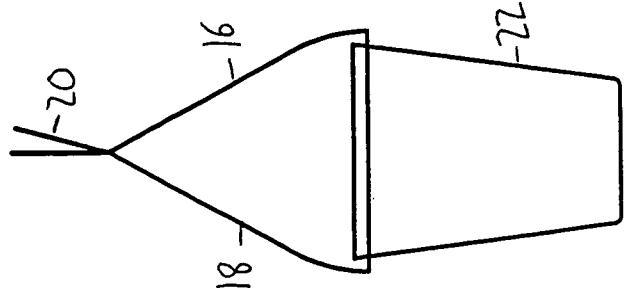


Fig. 4

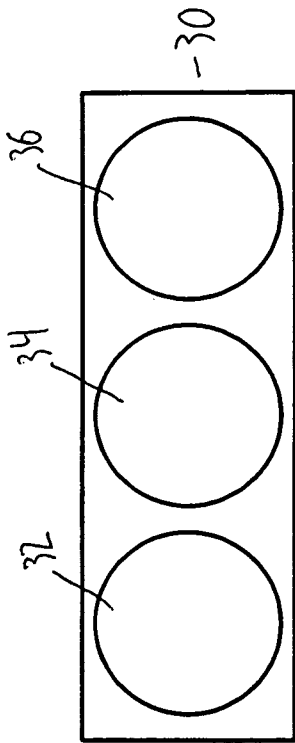


Fig. 5

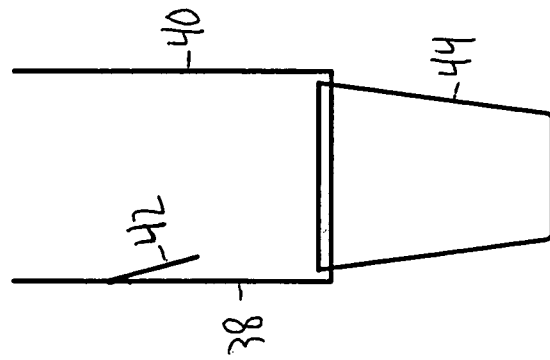


Fig. 6

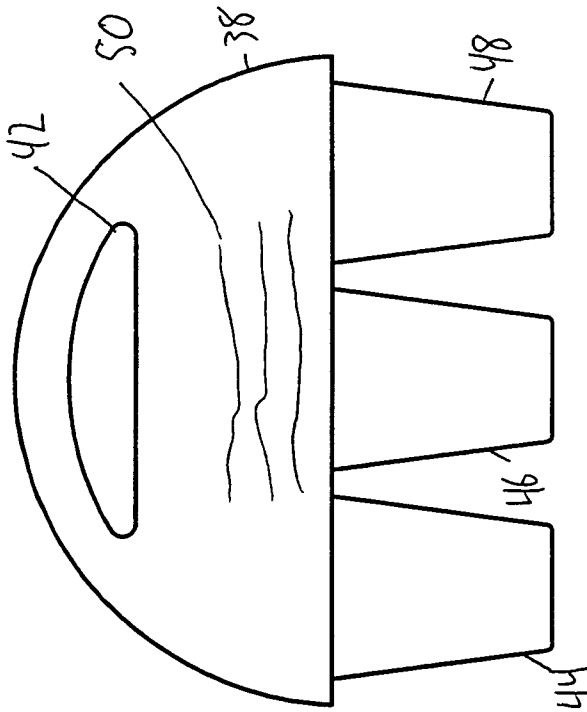


Fig. 7

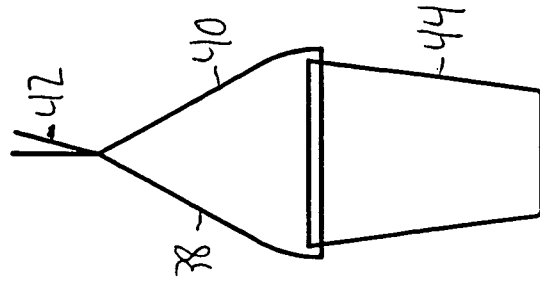
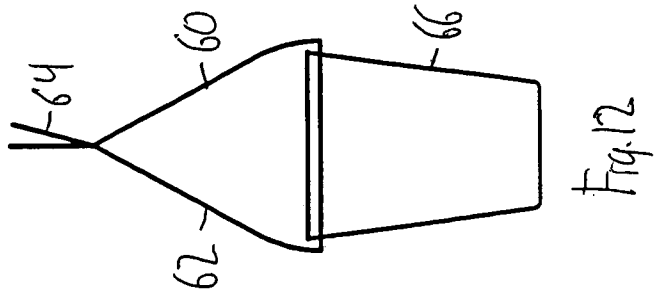
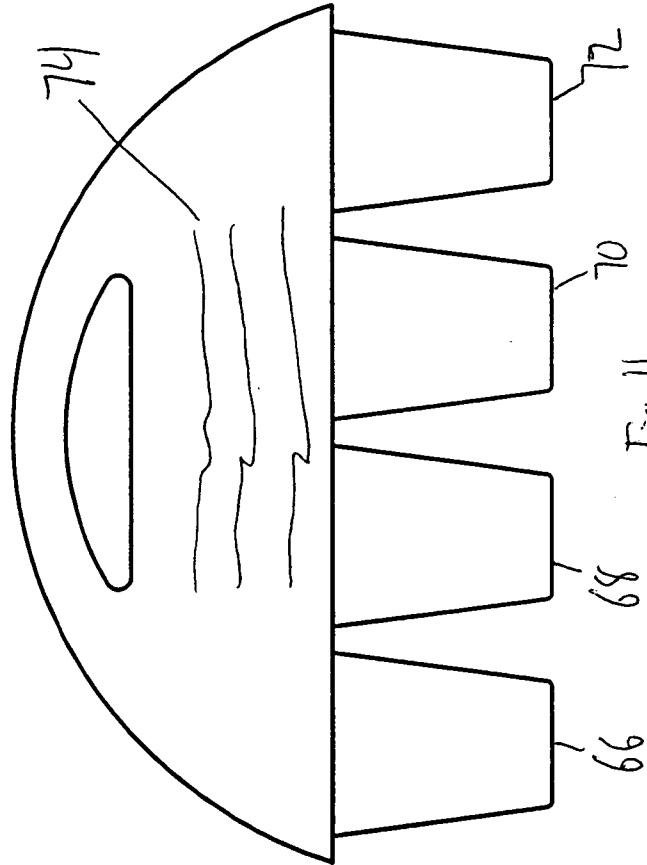
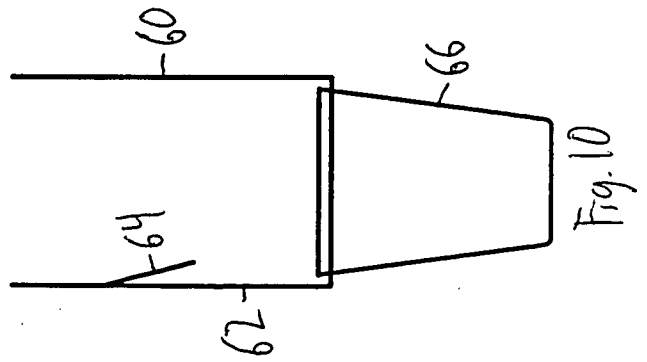
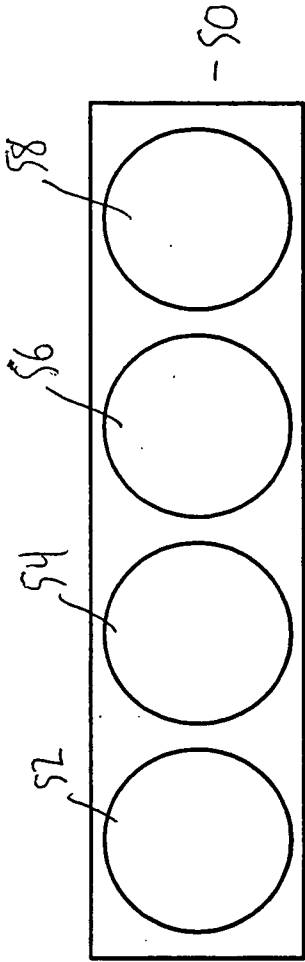


Fig. 8



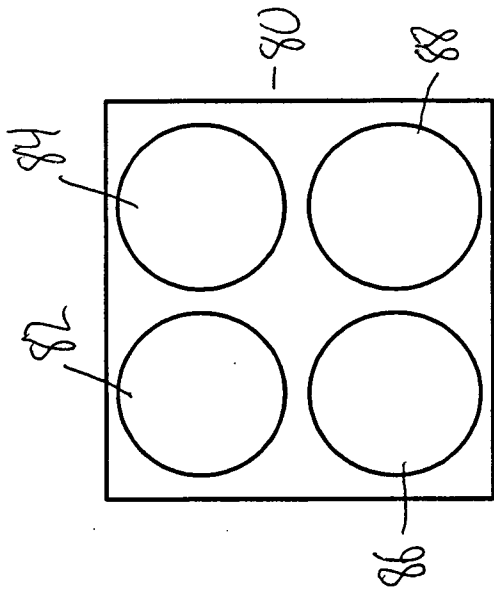


Fig. 13

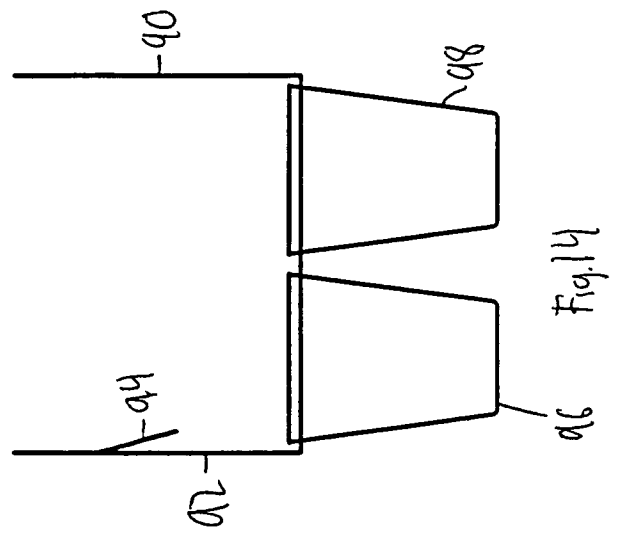


Fig. 14

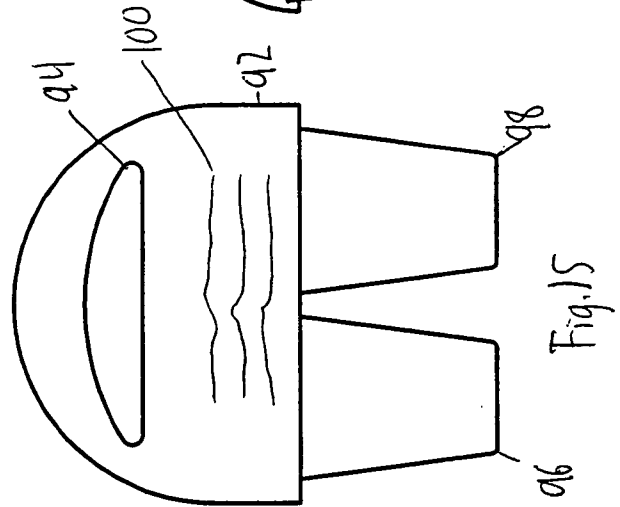


Fig. 15

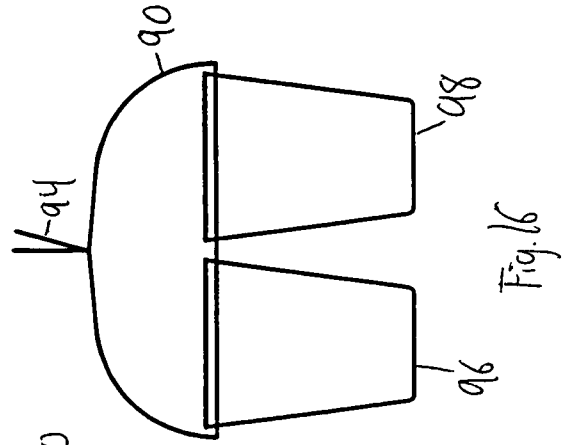


Fig. 16

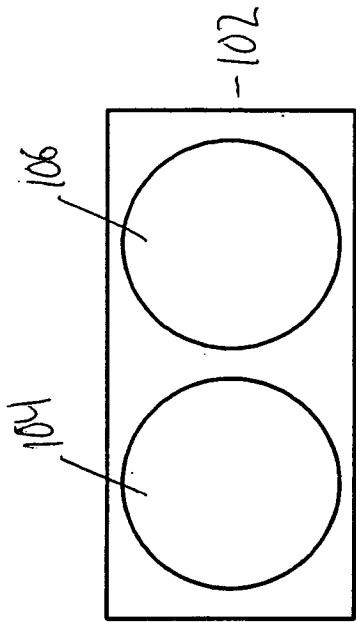


Fig. 17

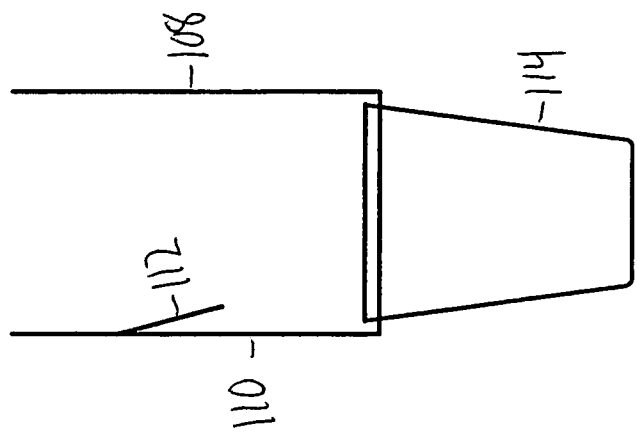


Fig. 18

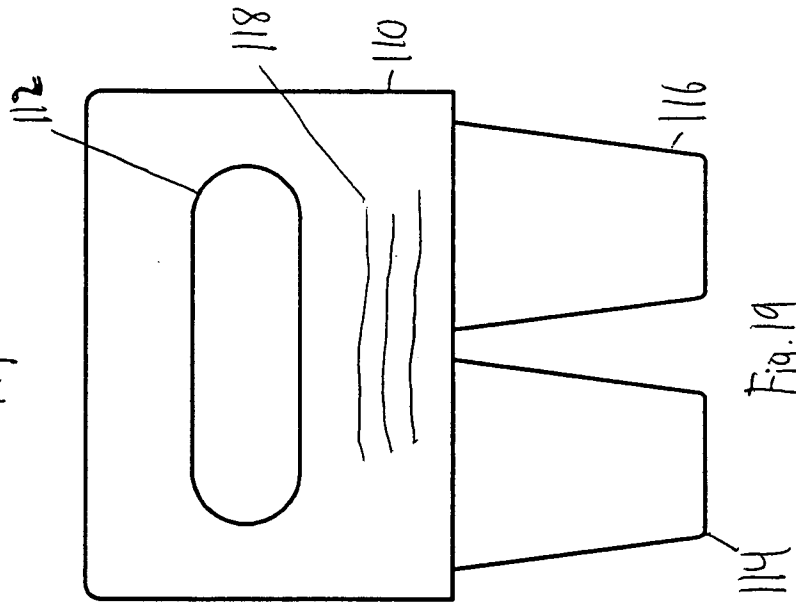


Fig. 19

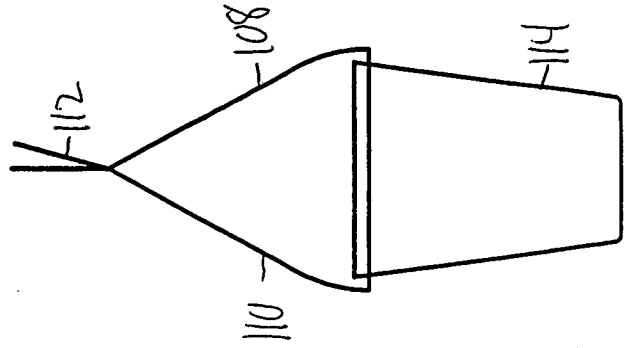


Fig. 20

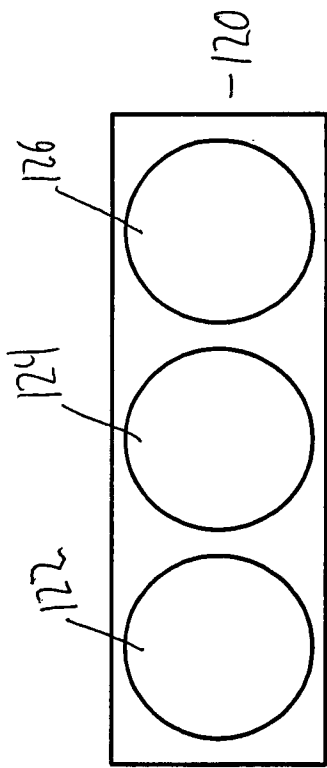


Fig. 21

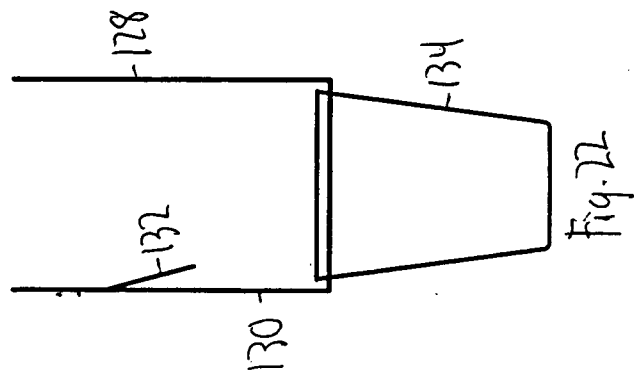


Fig. 22

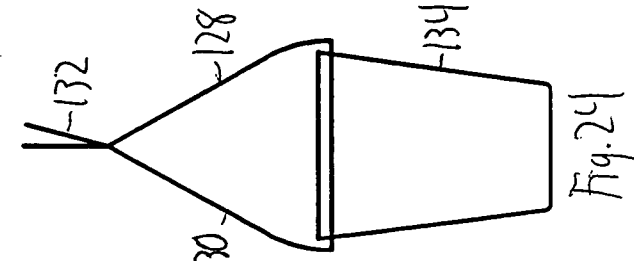


Fig. 24

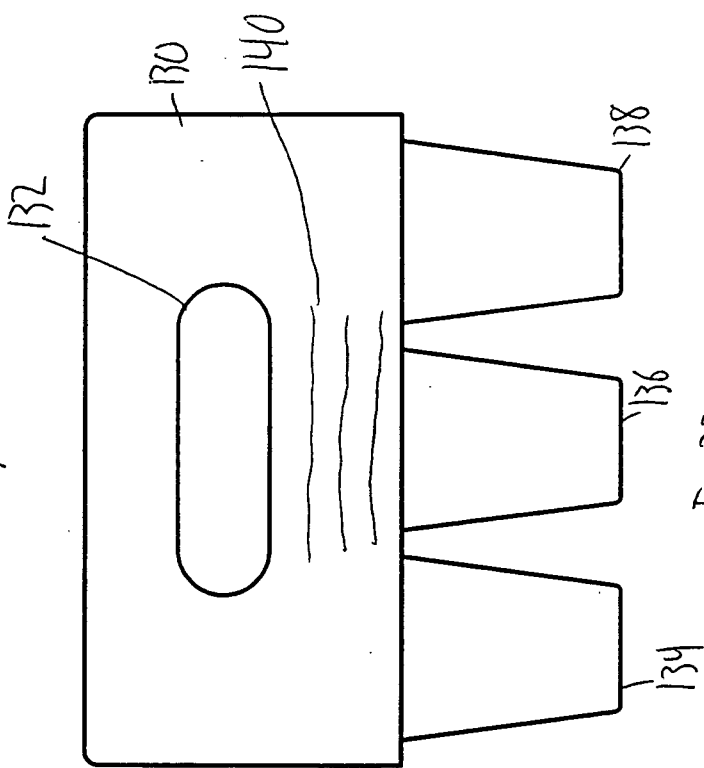
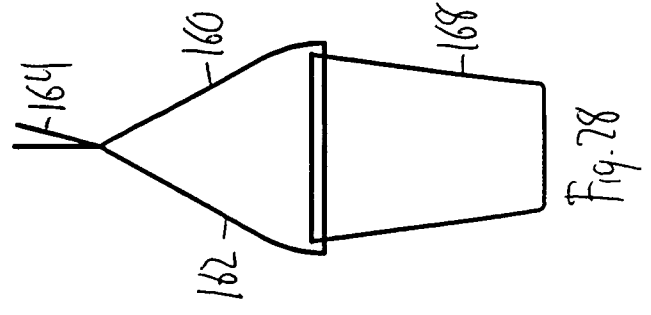
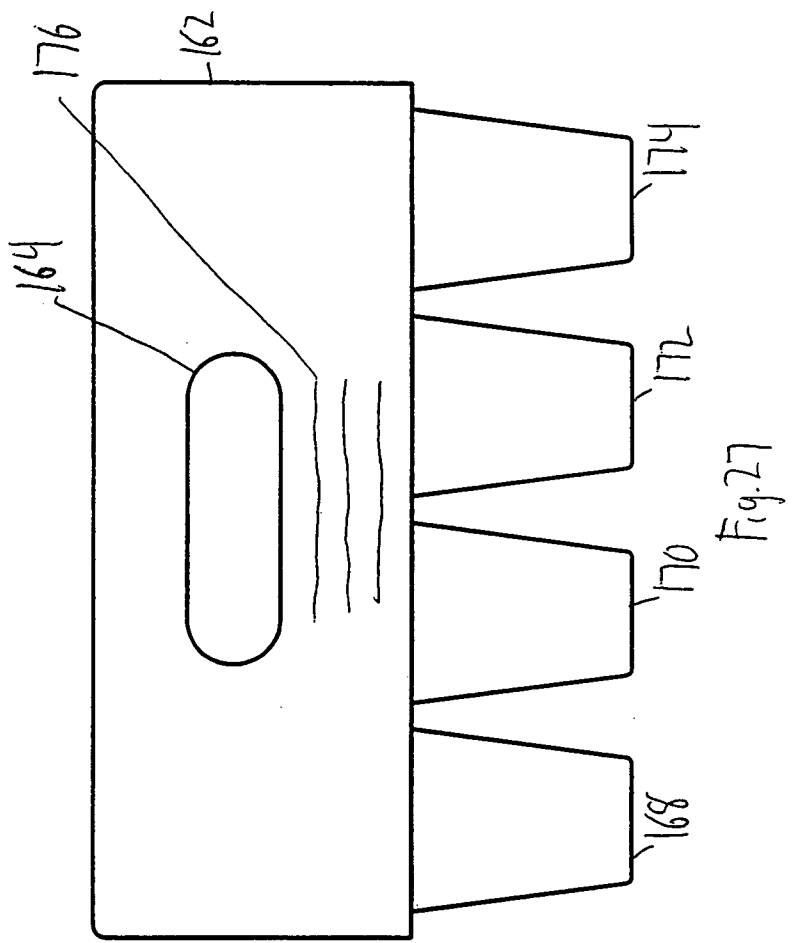
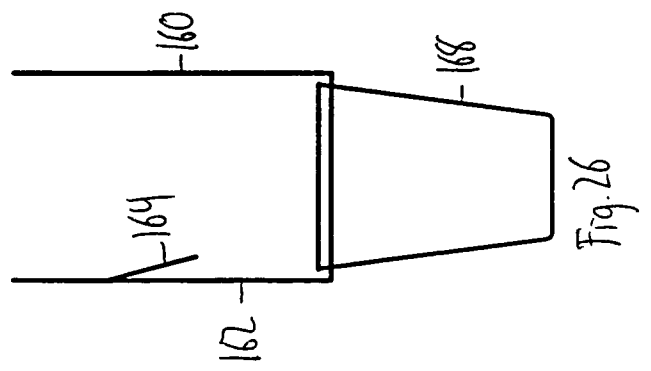
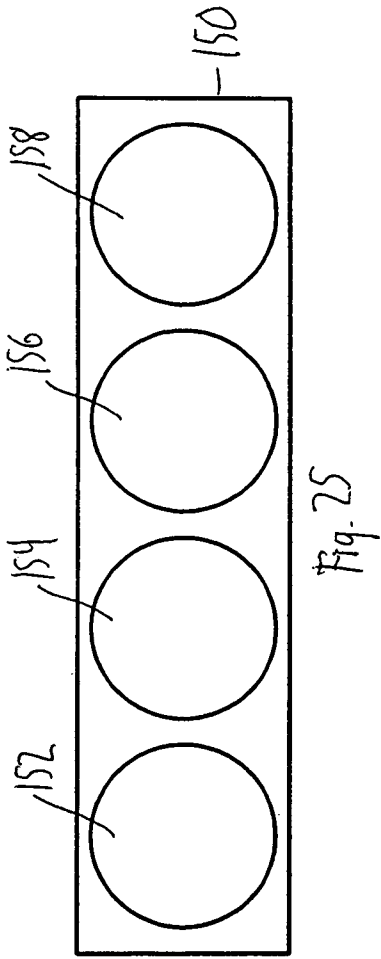


Fig. 23



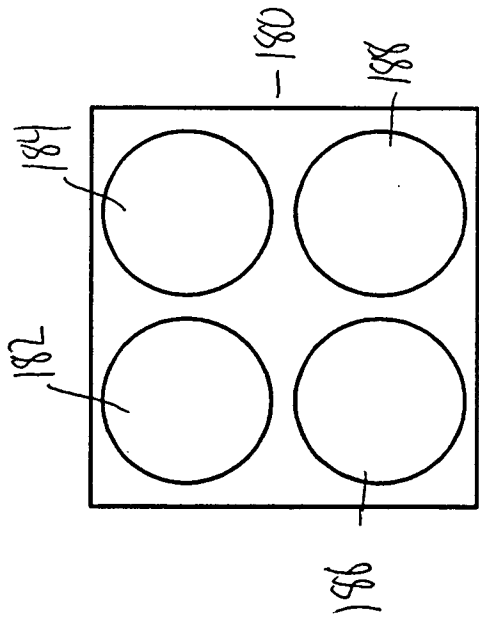


Fig. 29

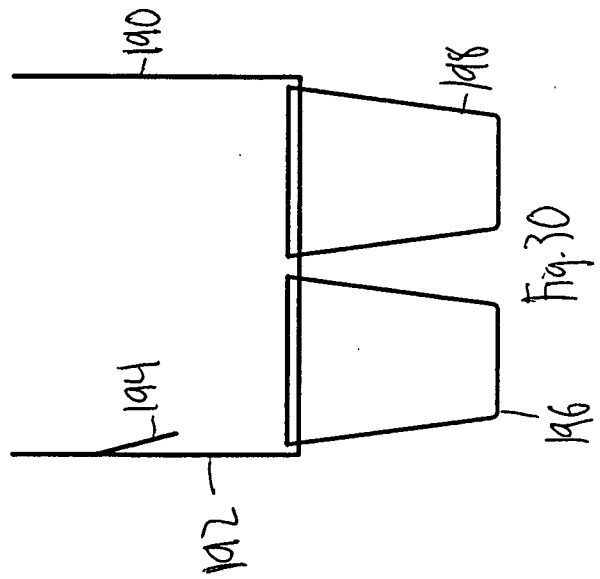


Fig. 30

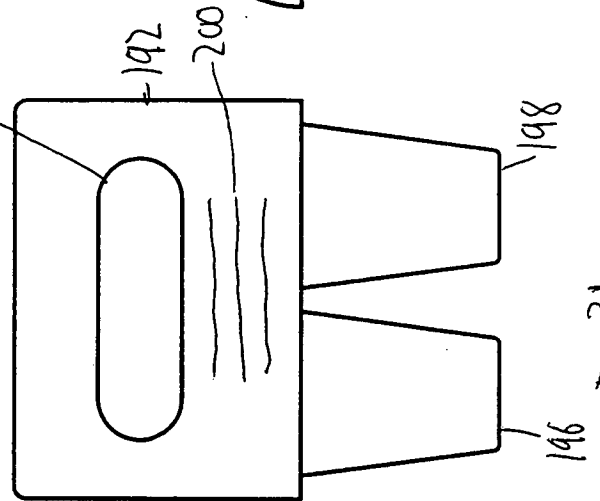


Fig. 31

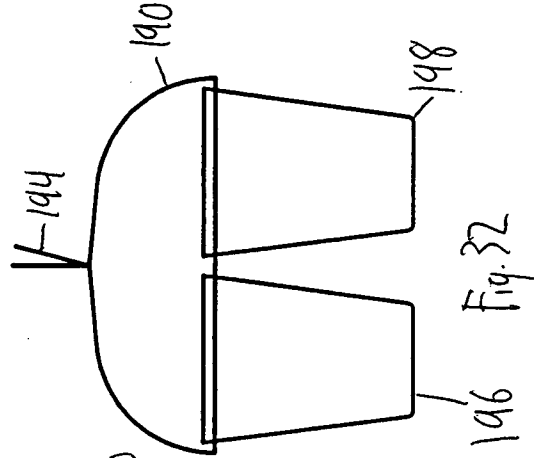


Fig. 32

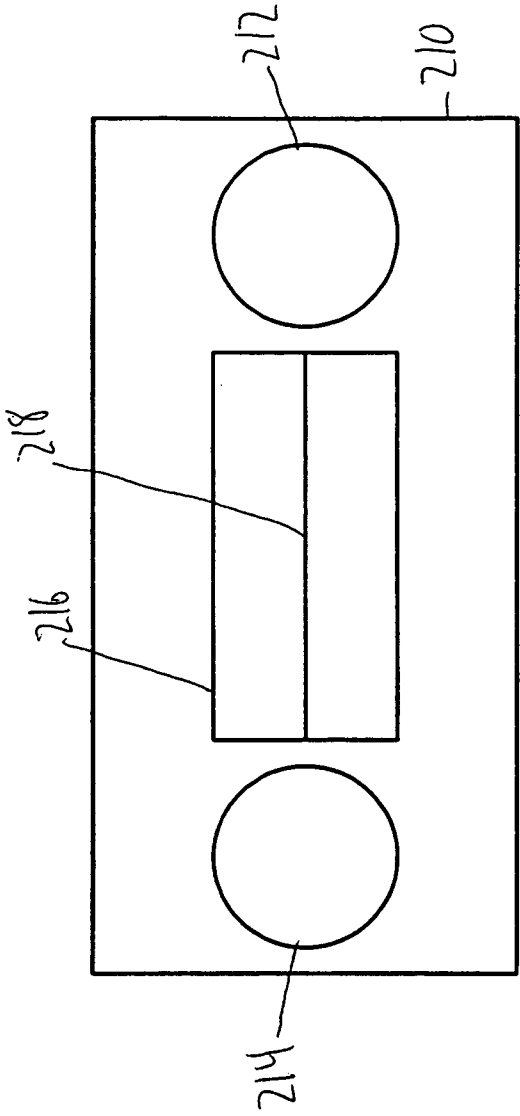


Fig. 33

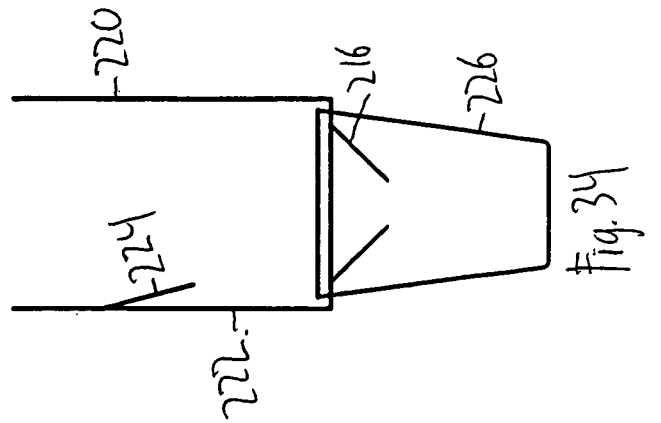


Fig. 34

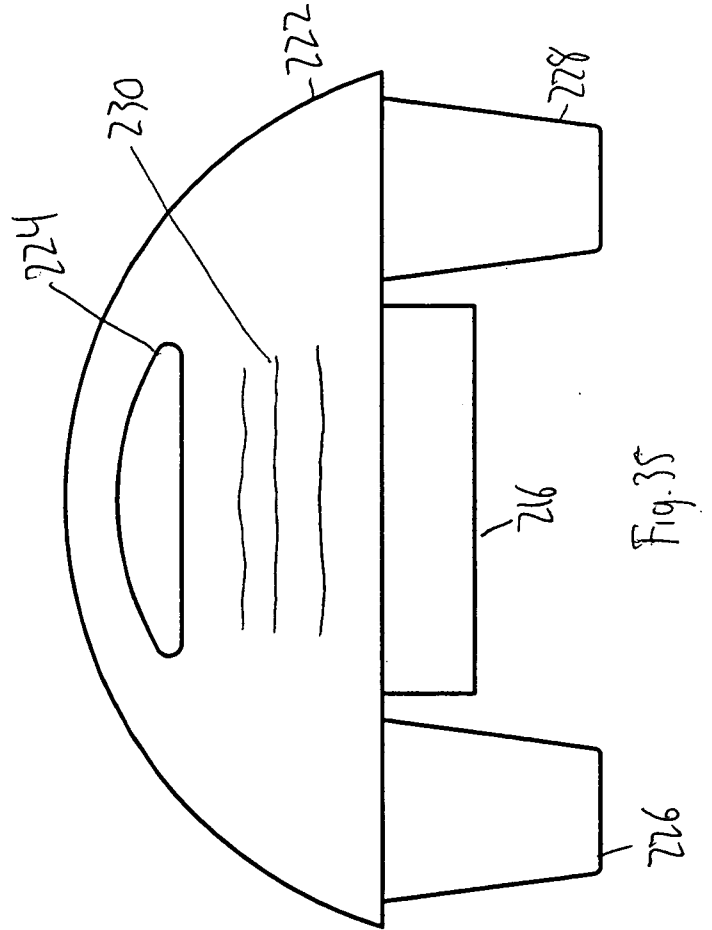


Fig. 35

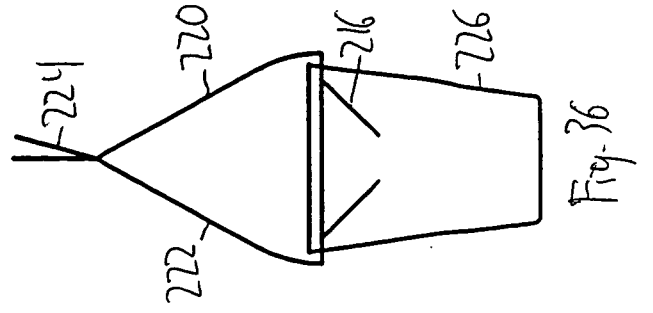


Fig. 36

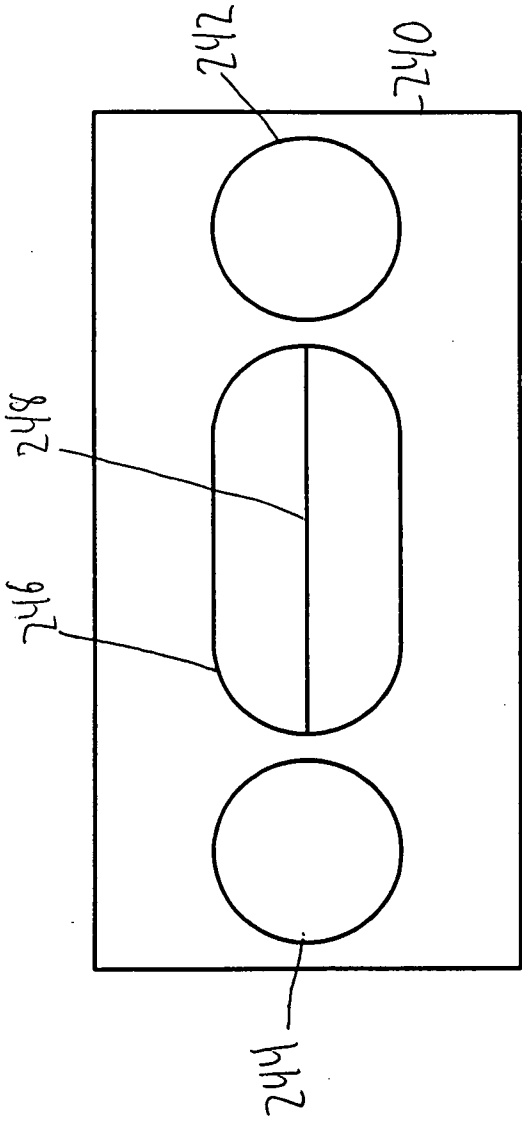


Fig. 37

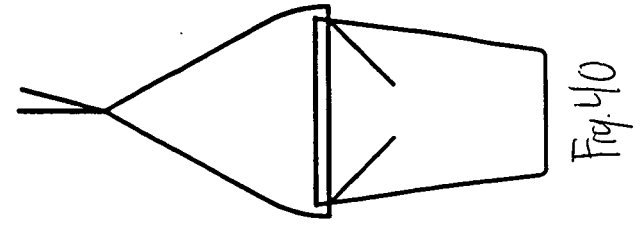


Fig. 40

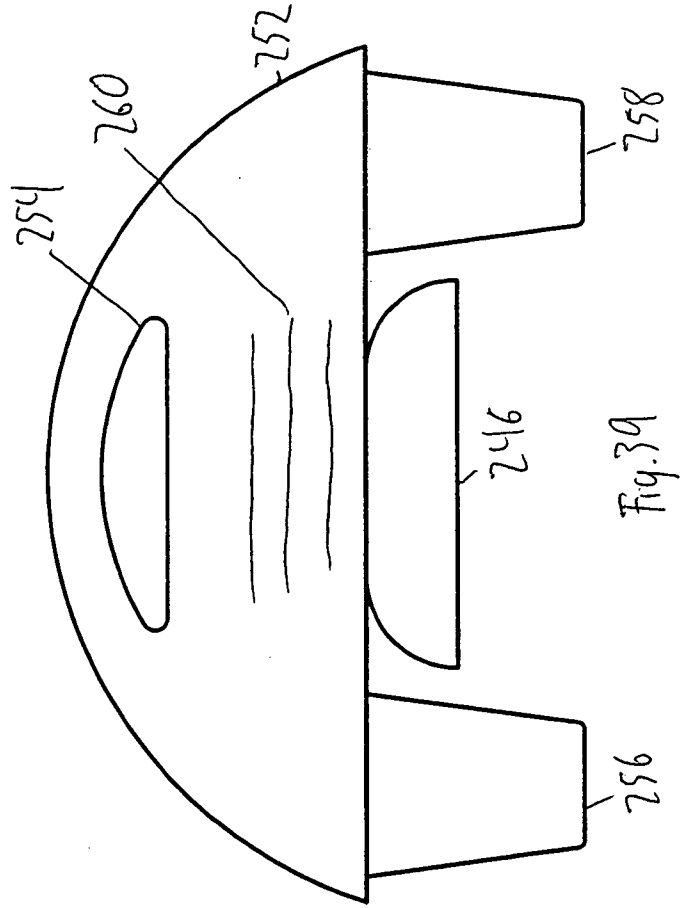


Fig. 39

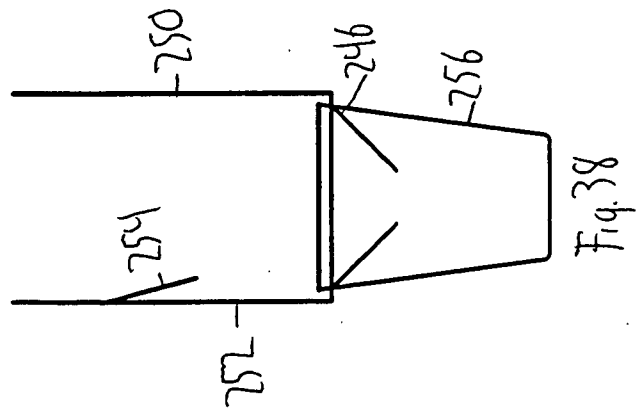


Fig. 38

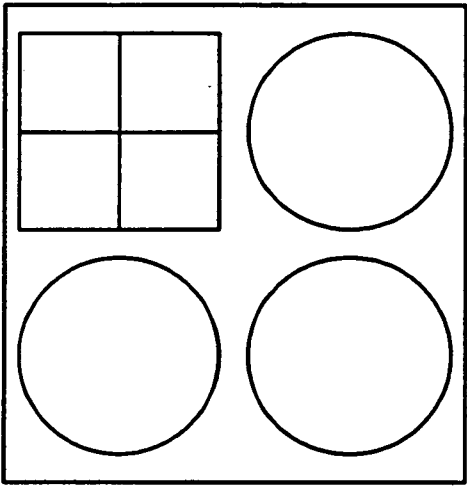


Fig. 41

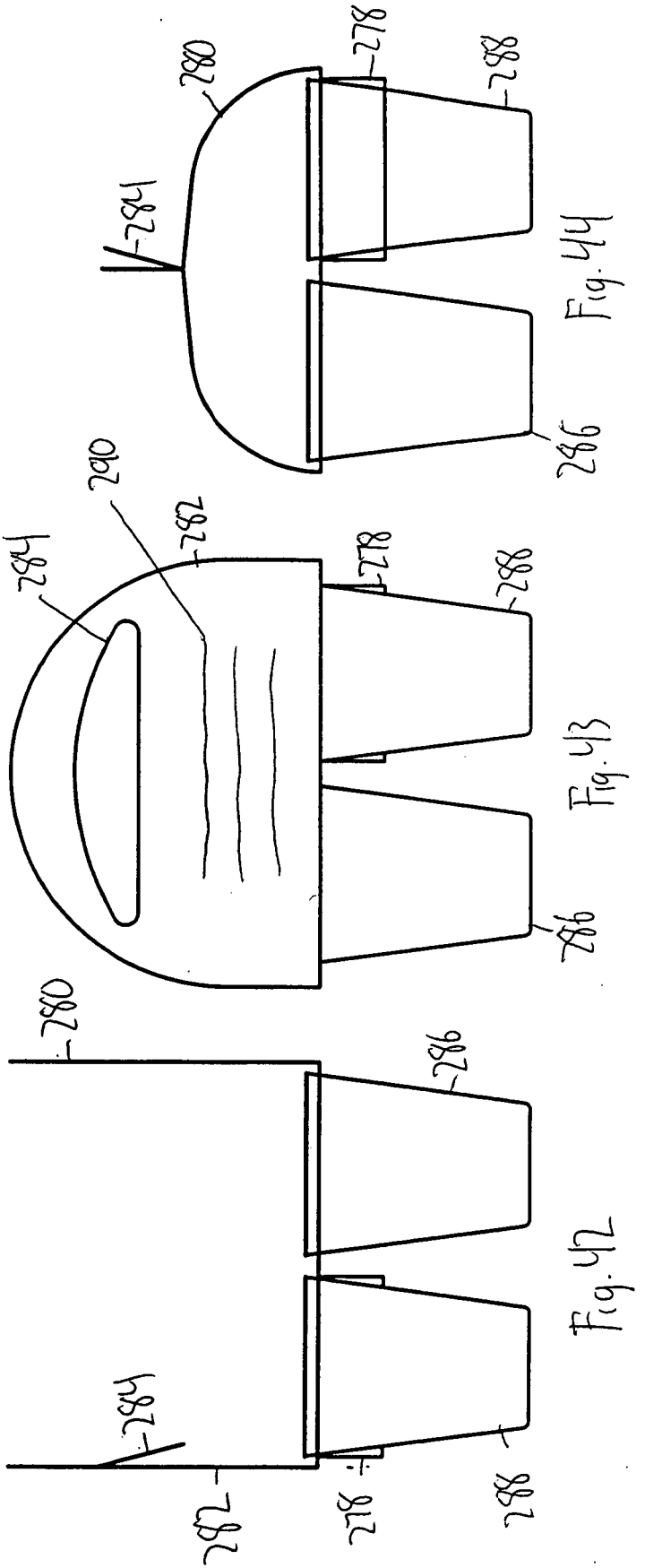


Fig. 42

Fig. 43

Fig. 44

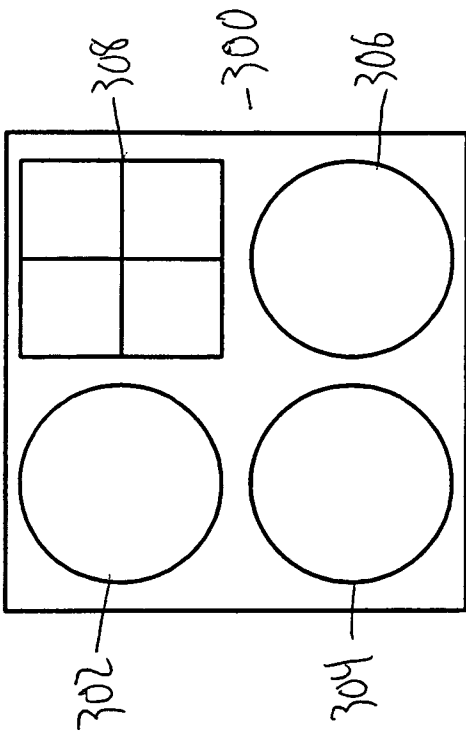


Fig. 45

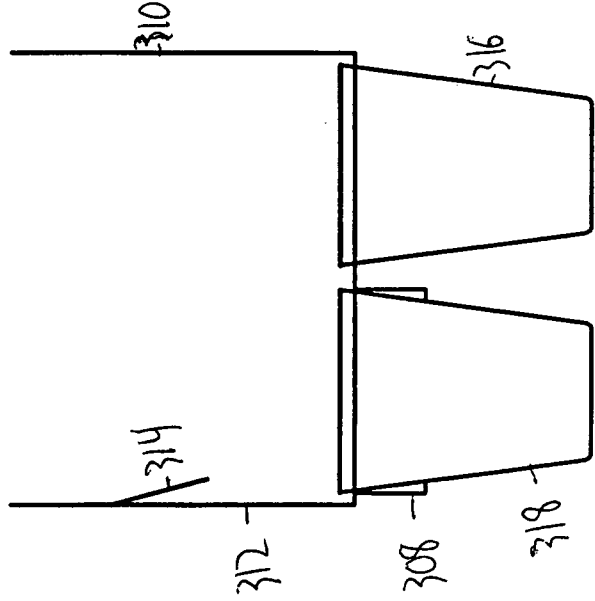


Fig. 46

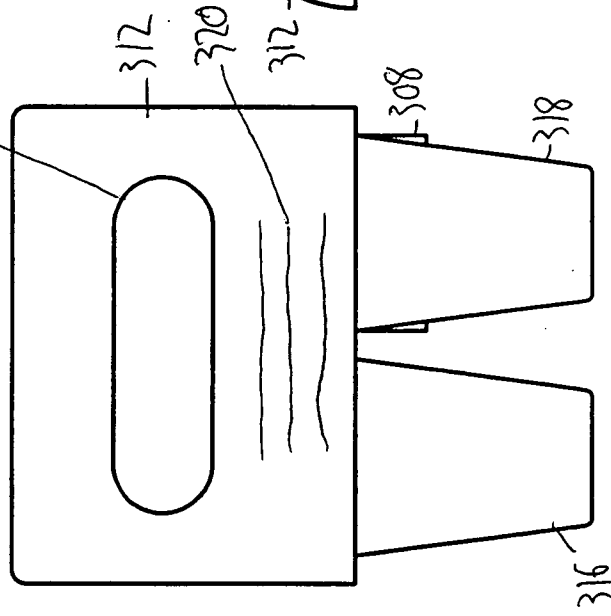


Fig. 47

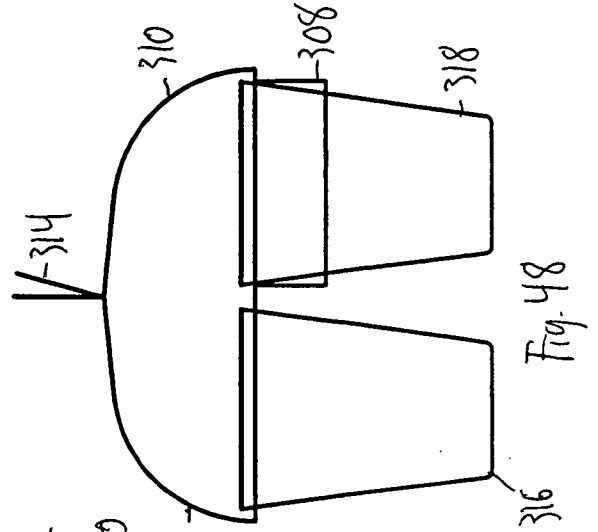


Fig. 48

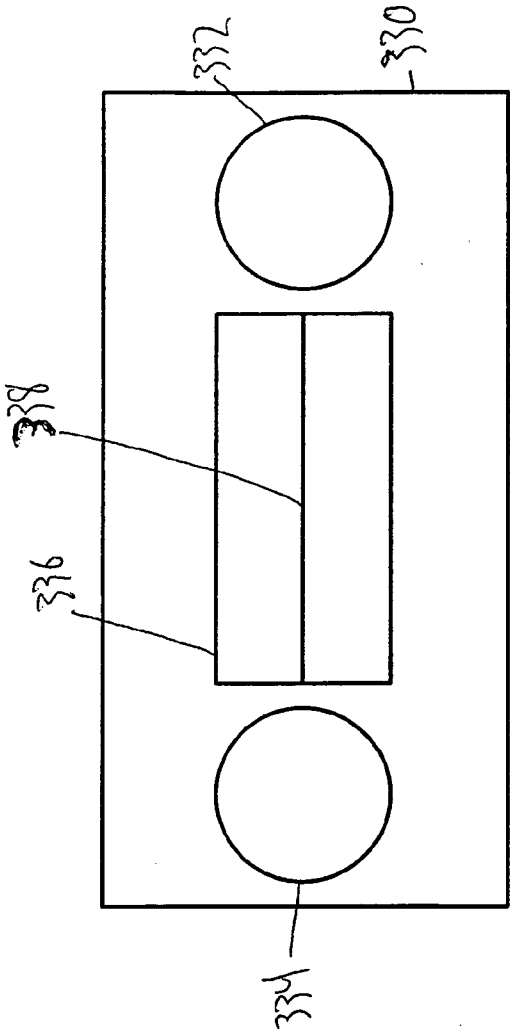


Fig. 49

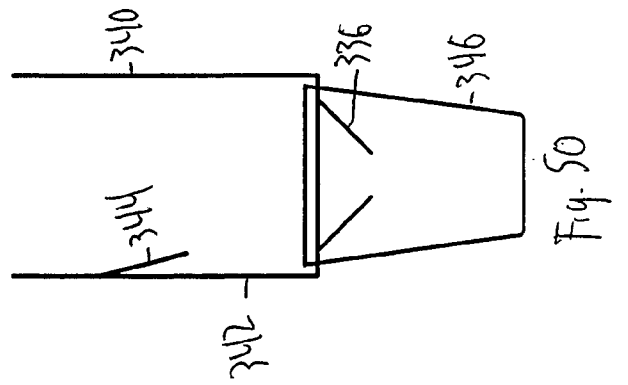


Fig. 50

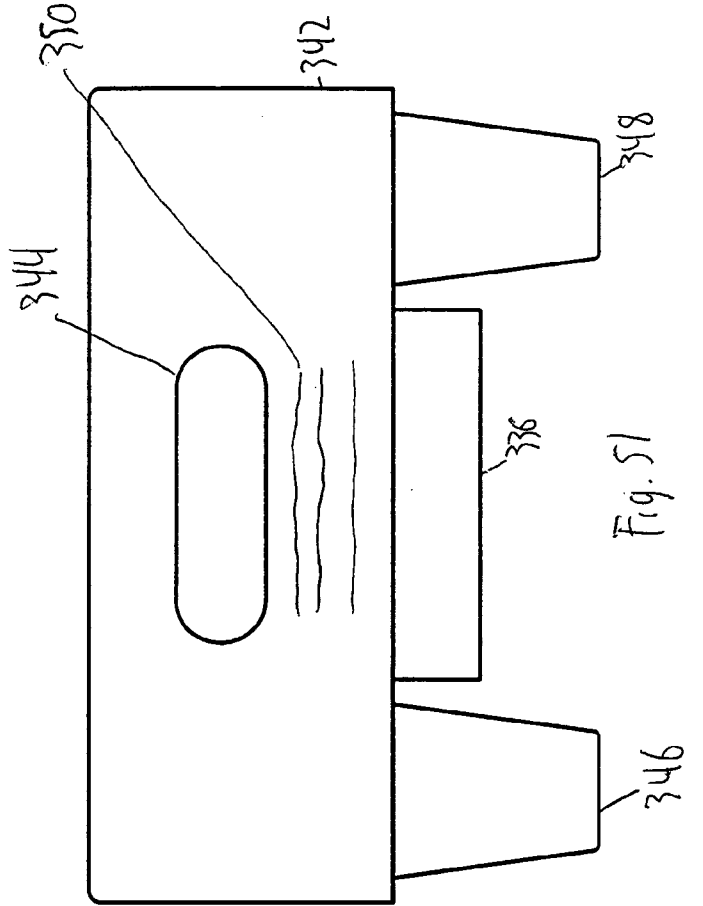


Fig. 51

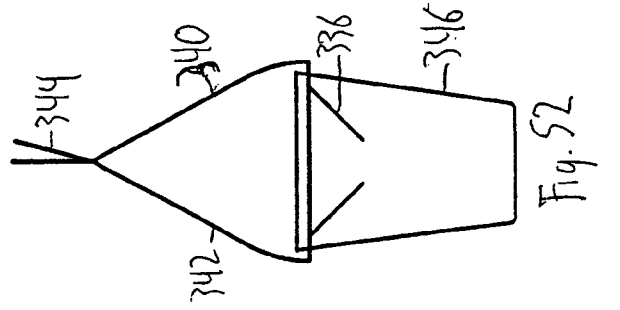


Fig. 52

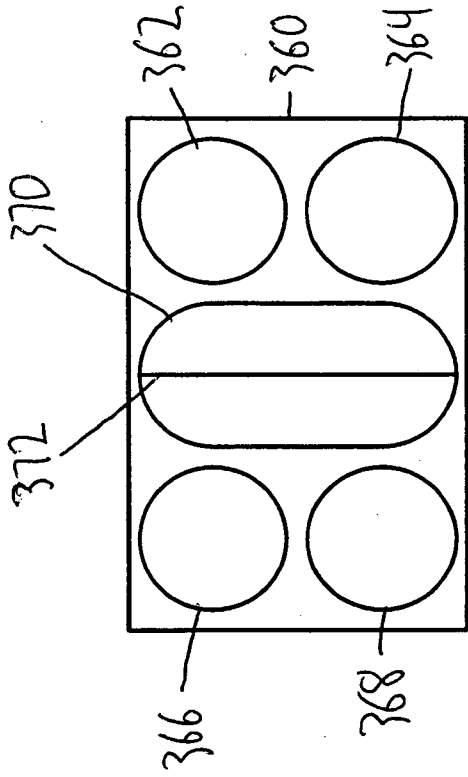


Fig. 53

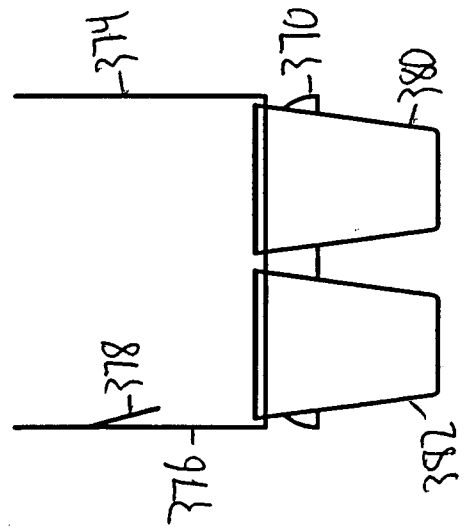


Fig. 54

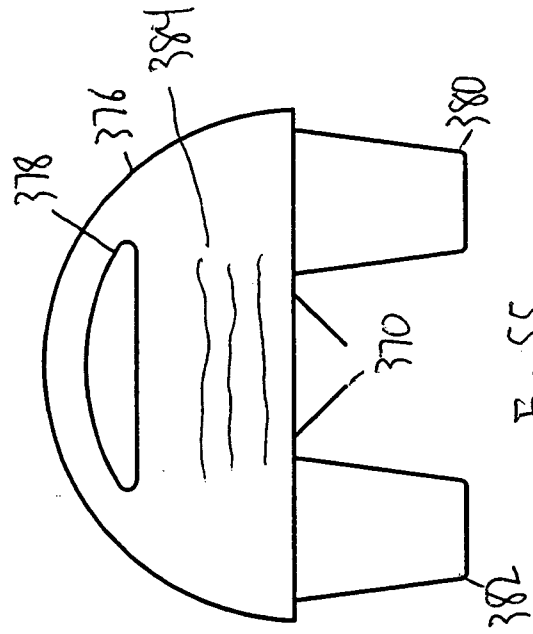


Fig. 55

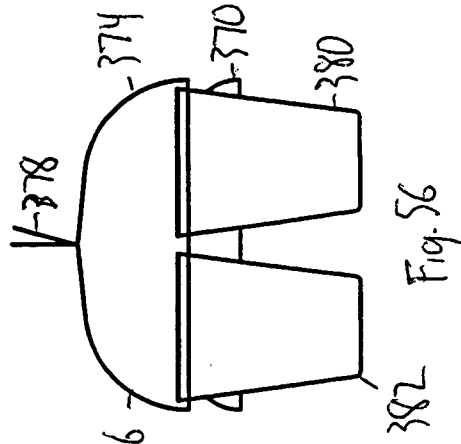


Fig. 56

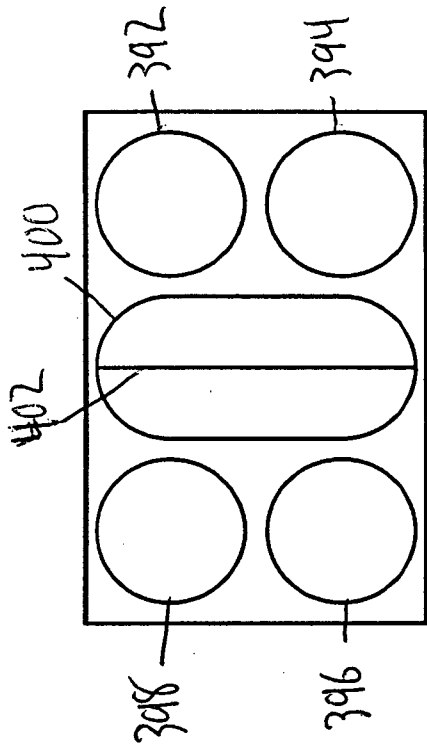


Fig. 57

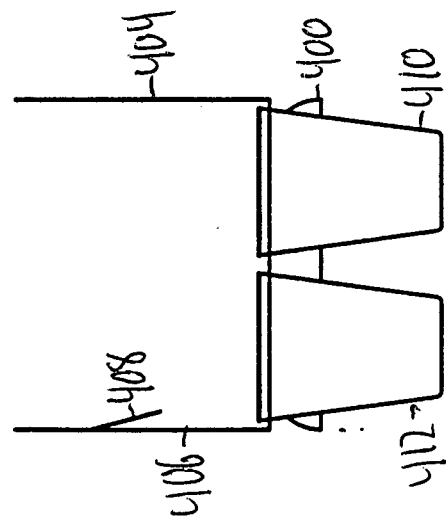


Fig. 58

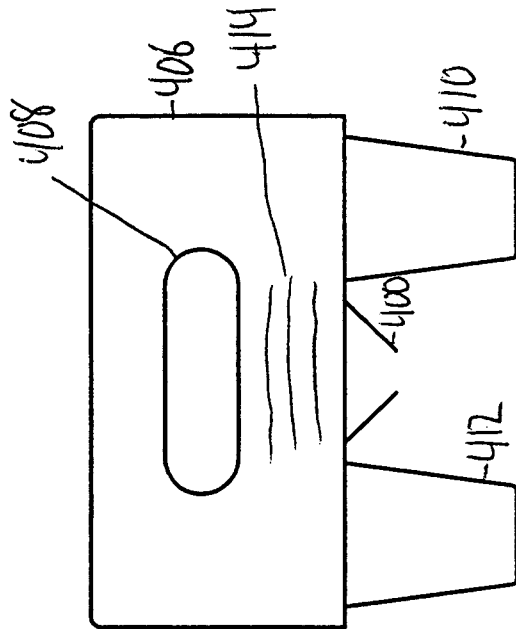


Fig. 59

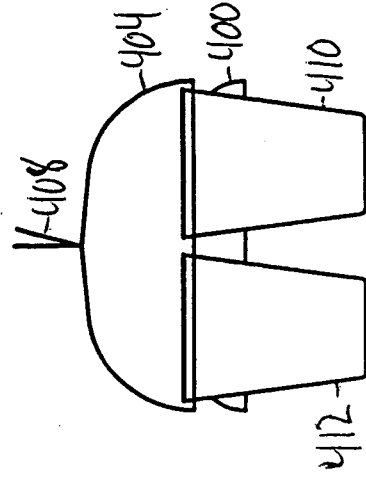
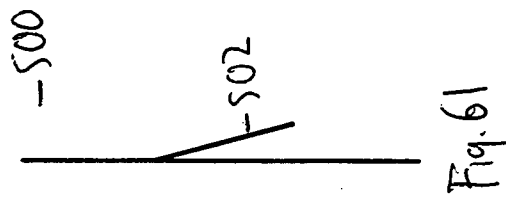
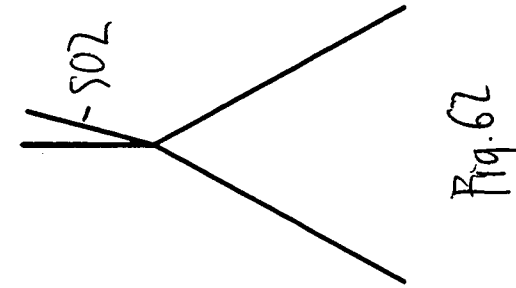
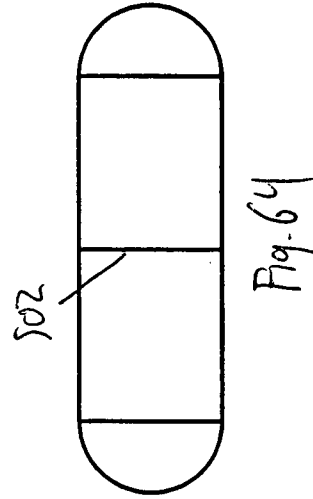
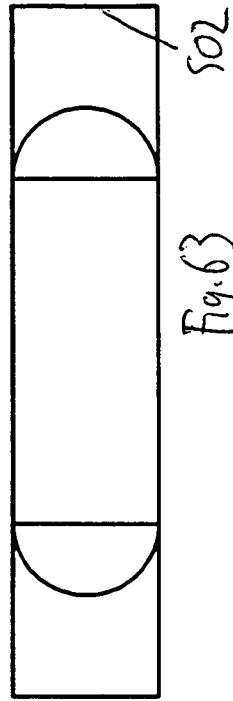
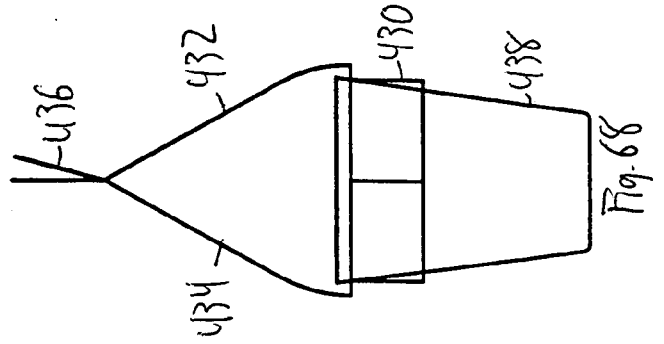
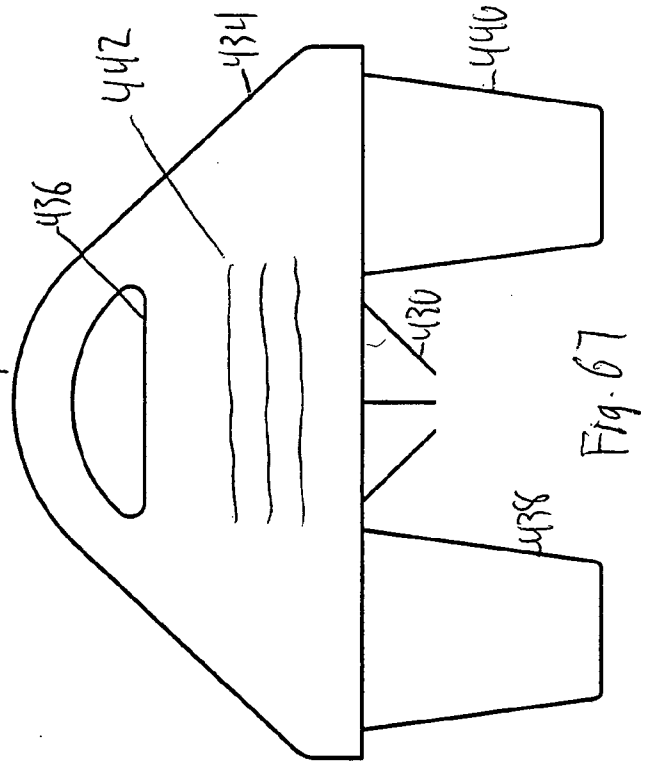
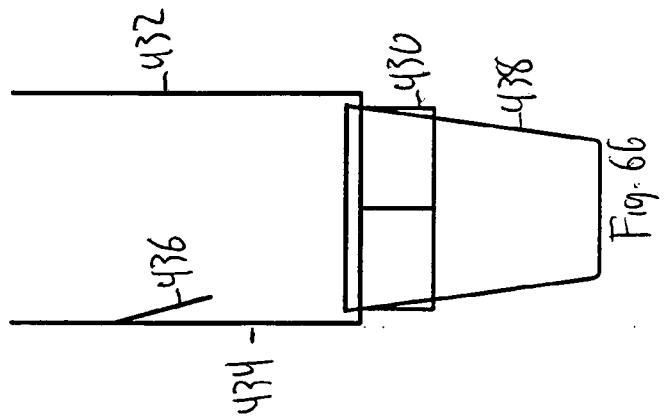
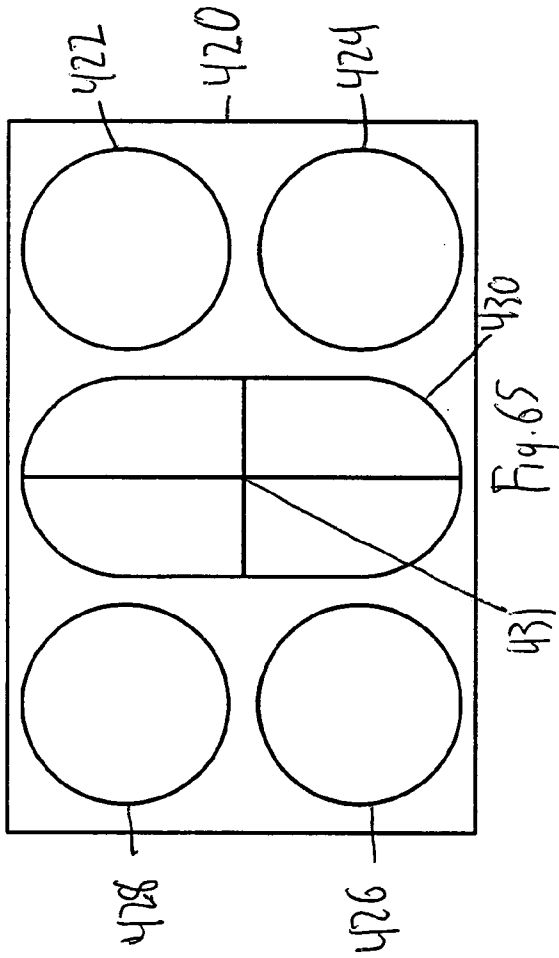


Fig. 60





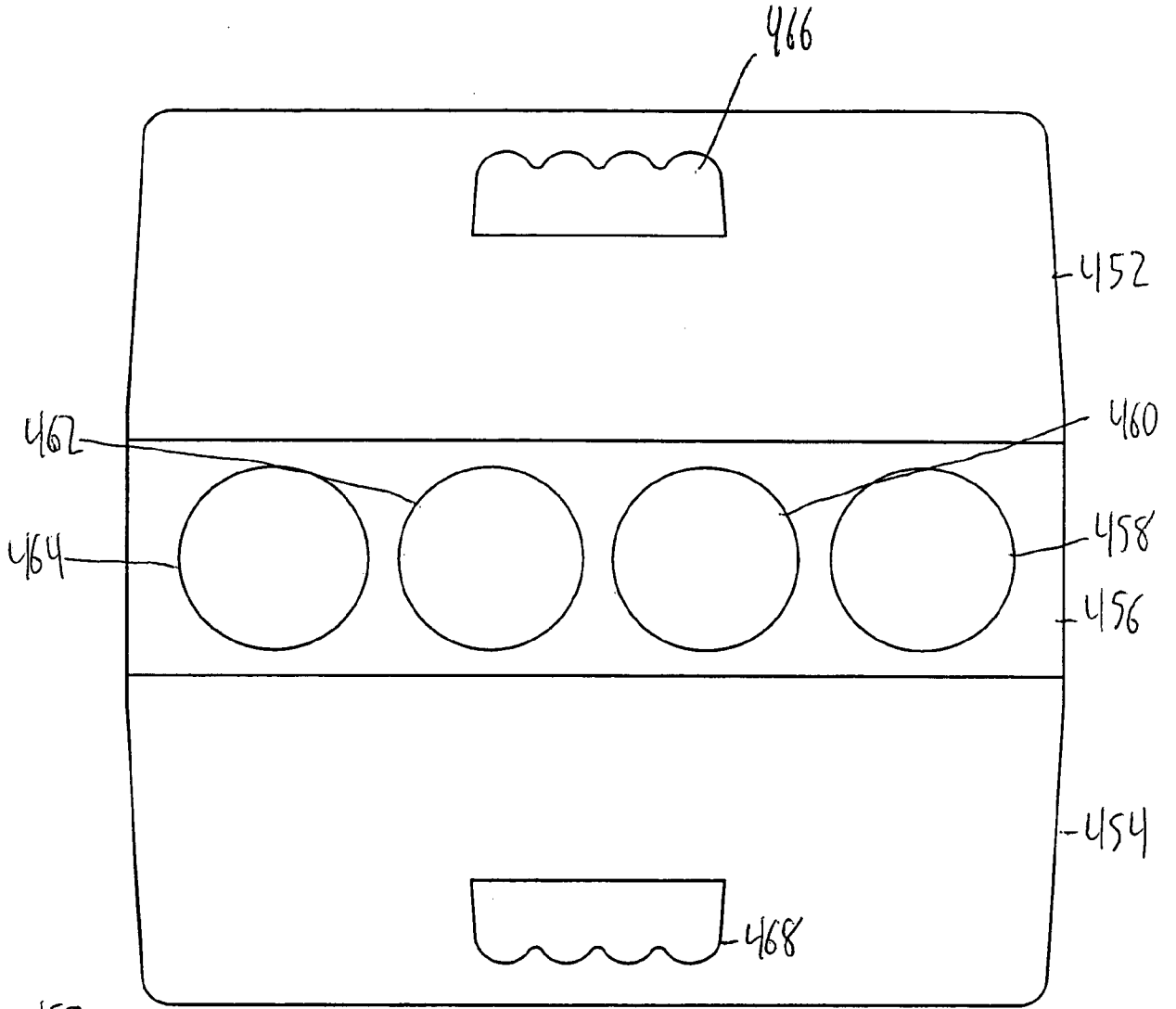


Fig. 70

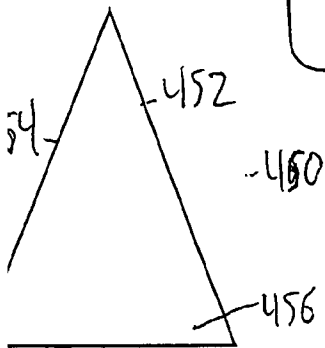


Fig. 69

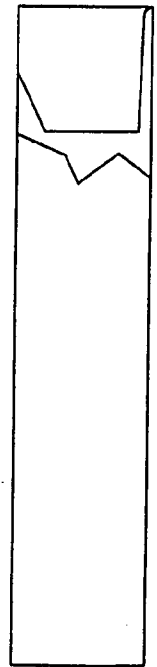
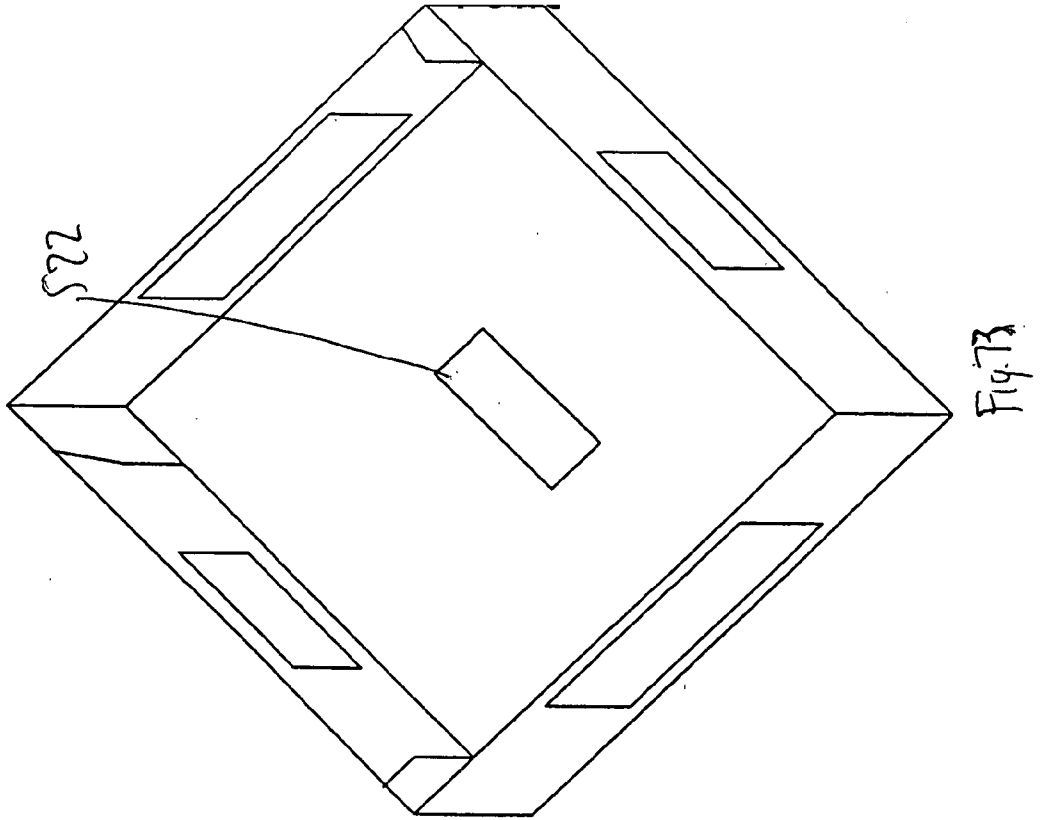
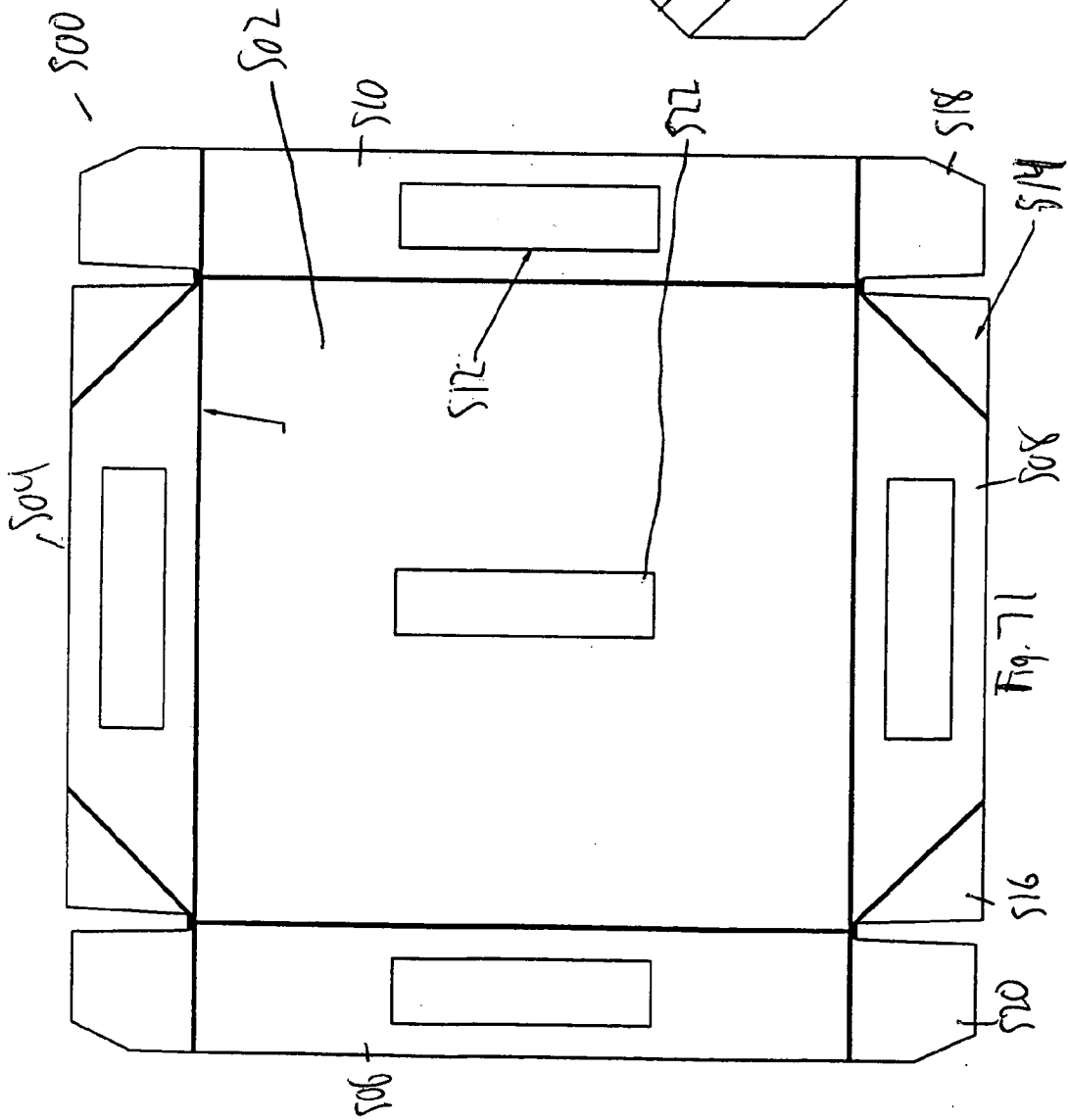


Fig. 72

Fig. 71

Fig. 73

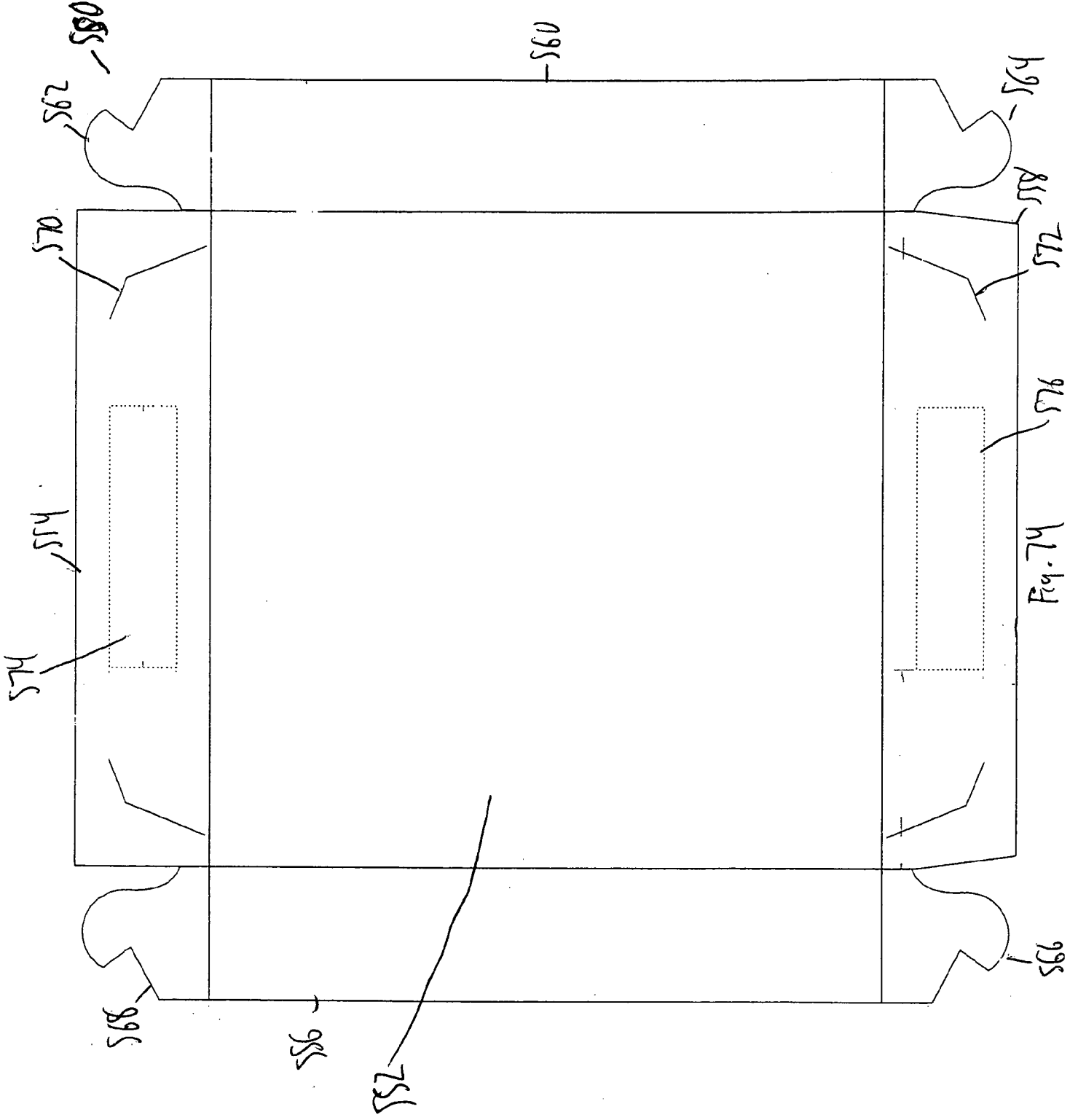


Fig. 74

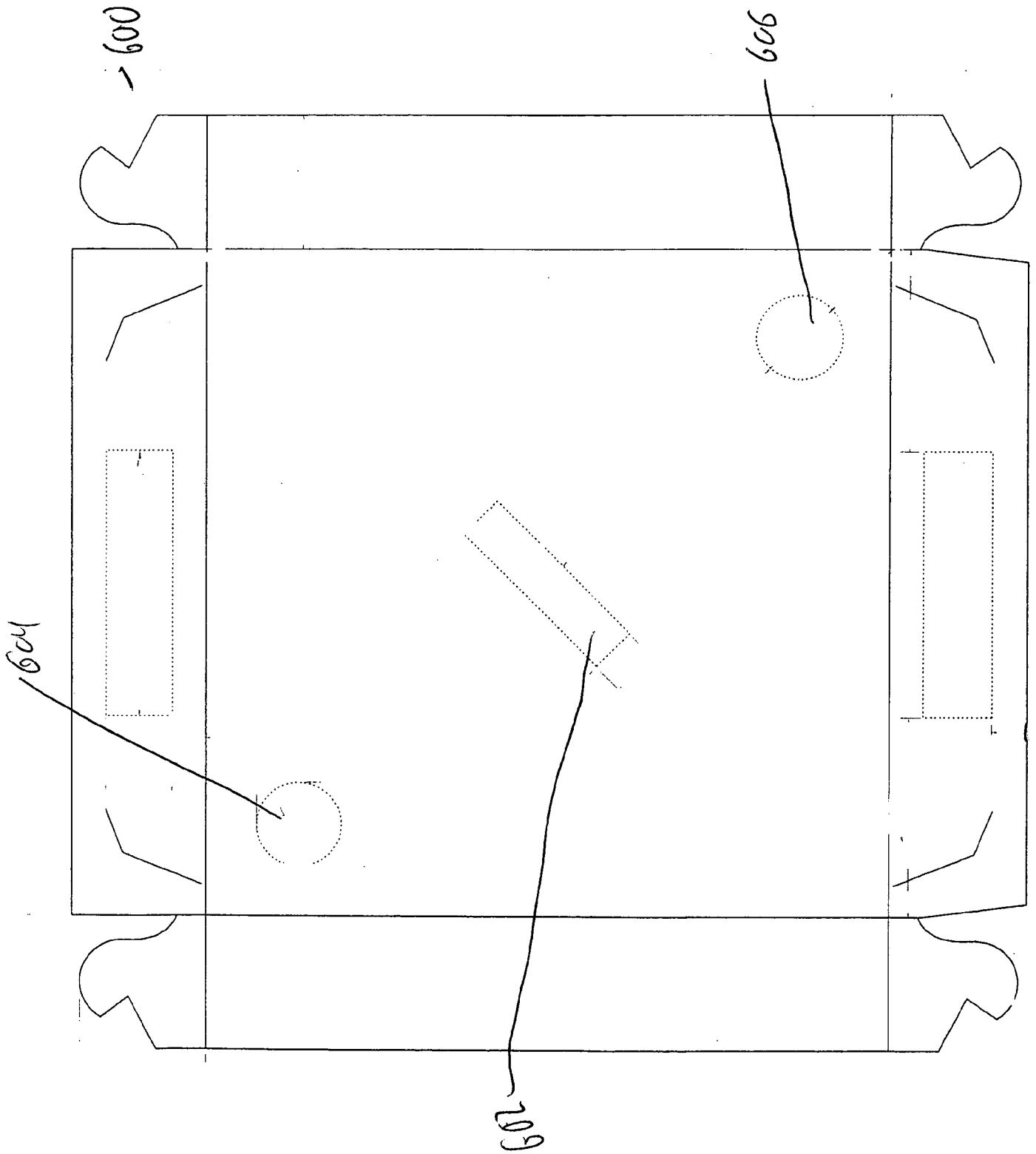


Fig. 75

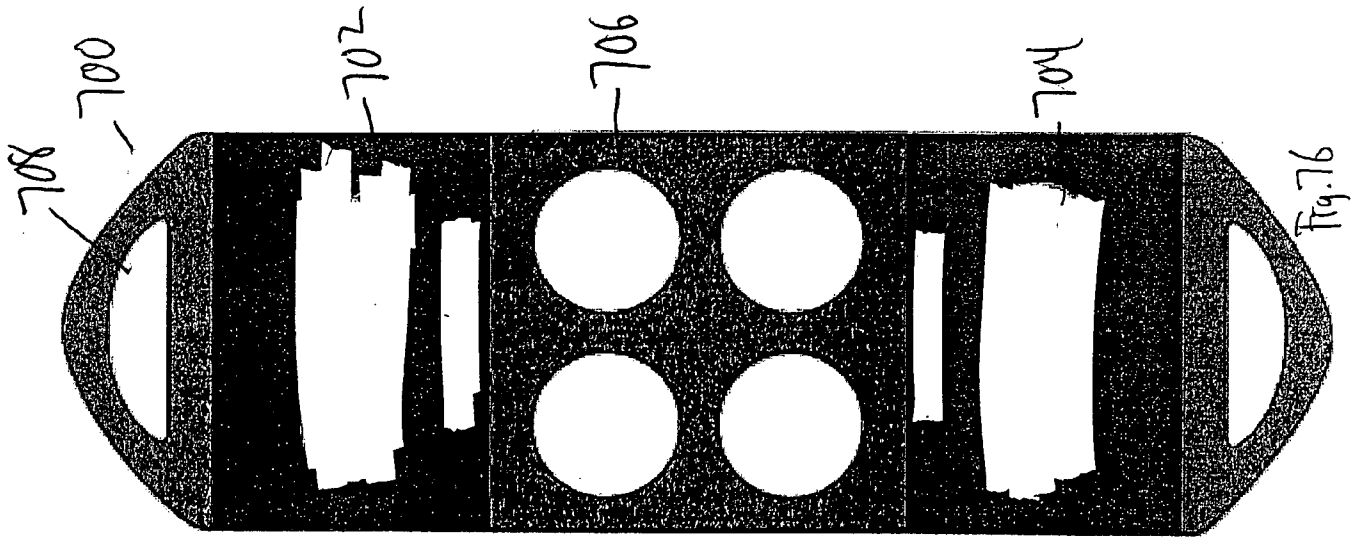


Fig. 76

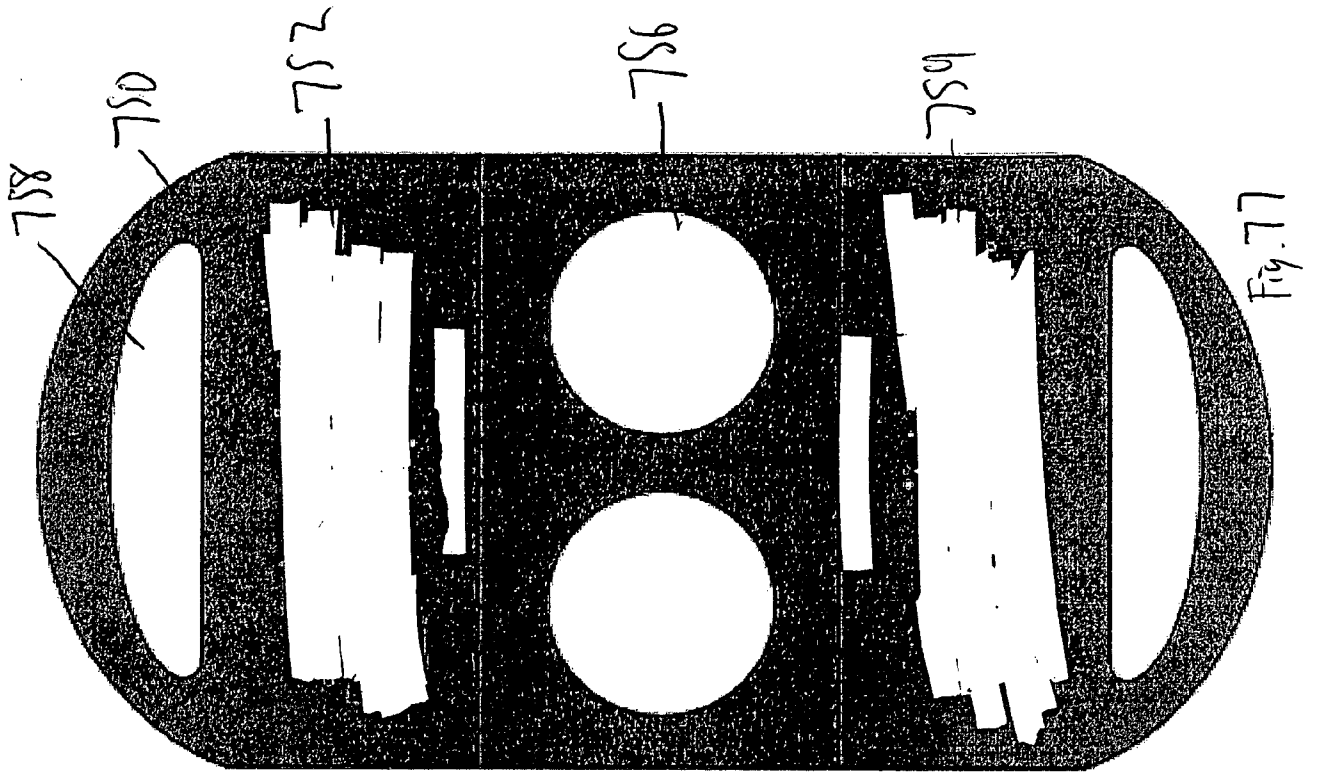
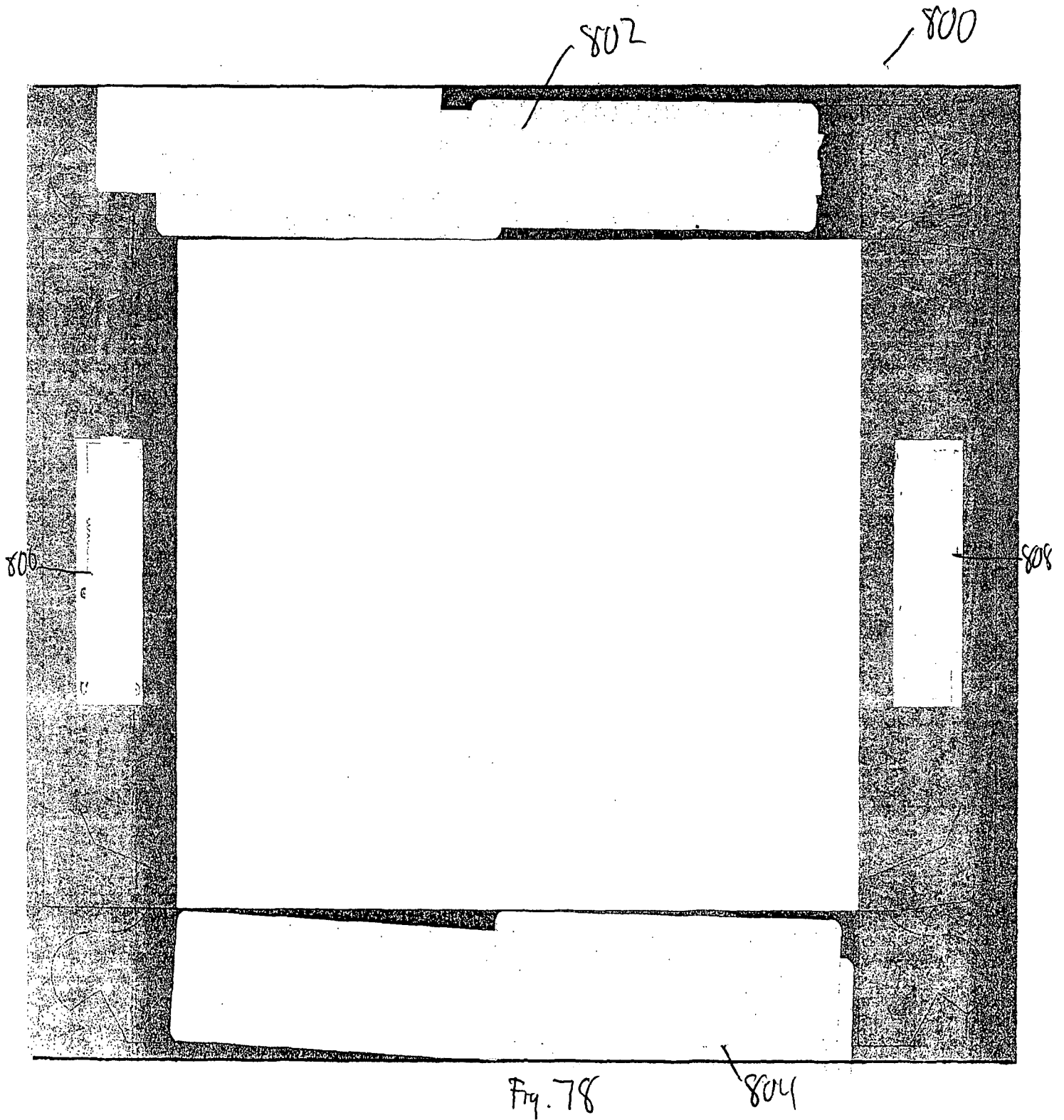
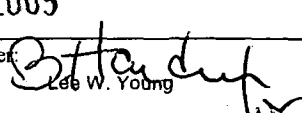


Fig. 77



INTERNATIONAL SEARCH REPORT

International application No.
PCT/US 08/12630

| <p>A. CLASSIFICATION OF SUBJECT MATTER IPC(8) - B65D 75/00 (2008.04) USPC - 206/147 According to International Patent Classification (IPC) or to both national classification and IPC</p> | | | | | | | | | | | | | | | | | | | | |
|--|---|---|--|---|---|--|---|--|--|---|--|---|---|----|---|--|----|---|---|----|
| <p>B. FIELDS SEARCHED</p> <p>Minimum documentation searched (classification system followed by classification symbols) IPC(8) - B65D 75/00 (2008.04) USPC - 206/147</p> <p>Documentation searched other than minimum documentation to the extent that such documents are included in the fields searched IPC(8) - B65D 75/00 (2008.04) USPC - 206/217, 206/218, 206/549, 206/427, 206/147, 206/147</p> <p>Electronic data base consulted during the international search (name of data base and, where practicable, search terms used) Electronic Databases Searched: Google Scholar; PubWest (US Patents full-text, US PGPubs full-text, EPO Abstracts, and JPO Abstracts) Search Terms Used: carrier, beverage, sheet, fold, foldable, beverage, holder, container, advertise, advertisement, corrugated, cardboard, die, cut hand grip, print, printed, tear, near</p> | | | | | | | | | | | | | | | | | | | | |
| <p>C. DOCUMENTS CONSIDERED TO BE RELEVANT</p> <table border="1"> <thead> <tr> <th>Category*</th> <th>Citation of document, with indication, where appropriate, of the relevant passages</th> <th>Relevant to claim No.</th> </tr> </thead> <tbody> <tr> <td>X</td> <td>US US 2005/0035009 A1 (CUOMO) 17 February 2005 (17.02.2005) entire document especially Fig. 1, Fig. 2, Fig. 12, Fig. 16, Fig. 17, Fig. 23, Fig. 24, Fig. 30, Fig. 40, para [0036], para [0111], para [0114], para [0116], para [0119], para [0120], para [0152], para [0153], para [0160], para [0177], para [0216], para [0252], para [0273], para [0302], para [0322]</td> <td>1, 3-16, 18, 20-21</td> </tr> <tr> <td>Y</td> <td>US 2004/0149621 A1 (SGRIGNOLI) 5 August 2004 (05.08.2004) Fig. 1, para [0043]</td> <td>2</td> </tr> <tr> <td>Y</td> <td>US 5,743,389 A (CUTLER et al.) 28 April 1998 (28.04.1998) Fig. 2, col 2, ln 19-33</td> <td>17</td> </tr> <tr> <td>Y</td> <td>US 6,183,027 B1 (TSAO) 6 February 2001 (06.02.2001) Fig. 1, col 2, ln 7-24</td> <td>19</td> </tr> <tr> <td>Y</td> <td>US 6,264,026 B1 (BRADLEY) 24 July 2001 (24.07.2001) Fig. 3, col 6, ln 30-46</td> <td>22</td> </tr> </tbody> </table> | | | Category* | Citation of document, with indication, where appropriate, of the relevant passages | Relevant to claim No. | X | US US 2005/0035009 A1 (CUOMO) 17 February 2005 (17.02.2005) entire document especially Fig. 1, Fig. 2, Fig. 12, Fig. 16, Fig. 17, Fig. 23, Fig. 24, Fig. 30, Fig. 40, para [0036], para [0111], para [0114], para [0116], para [0119], para [0120], para [0152], para [0153], para [0160], para [0177], para [0216], para [0252], para [0273], para [0302], para [0322] | 1, 3-16, 18, 20-21 | Y | US 2004/0149621 A1 (SGRIGNOLI) 5 August 2004 (05.08.2004) Fig. 1, para [0043] | 2 | Y | US 5,743,389 A (CUTLER et al.) 28 April 1998 (28.04.1998) Fig. 2, col 2, ln 19-33 | 17 | Y | US 6,183,027 B1 (TSAO) 6 February 2001 (06.02.2001) Fig. 1, col 2, ln 7-24 | 19 | Y | US 6,264,026 B1 (BRADLEY) 24 July 2001 (24.07.2001) Fig. 3, col 6, ln 30-46 | 22 |
| Category* | Citation of document, with indication, where appropriate, of the relevant passages | Relevant to claim No. | | | | | | | | | | | | | | | | | | |
| X | US US 2005/0035009 A1 (CUOMO) 17 February 2005 (17.02.2005) entire document especially Fig. 1, Fig. 2, Fig. 12, Fig. 16, Fig. 17, Fig. 23, Fig. 24, Fig. 30, Fig. 40, para [0036], para [0111], para [0114], para [0116], para [0119], para [0120], para [0152], para [0153], para [0160], para [0177], para [0216], para [0252], para [0273], para [0302], para [0322] | 1, 3-16, 18, 20-21 | | | | | | | | | | | | | | | | | | |
| Y | US 2004/0149621 A1 (SGRIGNOLI) 5 August 2004 (05.08.2004) Fig. 1, para [0043] | 2 | | | | | | | | | | | | | | | | | | |
| Y | US 5,743,389 A (CUTLER et al.) 28 April 1998 (28.04.1998) Fig. 2, col 2, ln 19-33 | 17 | | | | | | | | | | | | | | | | | | |
| Y | US 6,183,027 B1 (TSAO) 6 February 2001 (06.02.2001) Fig. 1, col 2, ln 7-24 | 19 | | | | | | | | | | | | | | | | | | |
| Y | US 6,264,026 B1 (BRADLEY) 24 July 2001 (24.07.2001) Fig. 3, col 6, ln 30-46 | 22 | | | | | | | | | | | | | | | | | | |
| <p><input type="checkbox"/> Further documents are listed in the continuation of Box C. <input type="checkbox"/></p> | | | | | | | | | | | | | | | | | | | | |
| <p>* Special categories of cited documents:</p> <table border="0"> <tr> <td>"A" document defining the general state of the art which is not considered to be of particular relevance</td> <td>"T" later document published after the international filing date or priority date and not in conflict with the application but cited to understand the principle or theory underlying the invention</td> </tr> <tr> <td>"E" earlier application or patent but published on or after the international filing date</td> <td>"X" document of particular relevance; the claimed invention cannot be considered novel or cannot be considered to involve an inventive step when the document is taken alone</td> </tr> <tr> <td>"L" document which may throw doubts on priority claim(s) or which is cited to establish the publication date of another citation or other special reason (as specified)</td> <td>"Y" document of particular relevance; the claimed invention cannot be considered to involve an inventive step when the document is combined with one or more other such documents, such combination being obvious to a person skilled in the art</td> </tr> <tr> <td>"O" document referring to an oral disclosure, use, exhibition or other means</td> <td>"&" document member of the same patent family</td> </tr> <tr> <td>"P" document published prior to the international filing date but later than the priority date claimed</td> <td></td> </tr> </table> | | | "A" document defining the general state of the art which is not considered to be of particular relevance | "T" later document published after the international filing date or priority date and not in conflict with the application but cited to understand the principle or theory underlying the invention | "E" earlier application or patent but published on or after the international filing date | "X" document of particular relevance; the claimed invention cannot be considered novel or cannot be considered to involve an inventive step when the document is taken alone | "L" document which may throw doubts on priority claim(s) or which is cited to establish the publication date of another citation or other special reason (as specified) | "Y" document of particular relevance; the claimed invention cannot be considered to involve an inventive step when the document is combined with one or more other such documents, such combination being obvious to a person skilled in the art | "O" document referring to an oral disclosure, use, exhibition or other means | "&" document member of the same patent family | "P" document published prior to the international filing date but later than the priority date claimed | | | | | | | | | |
| "A" document defining the general state of the art which is not considered to be of particular relevance | "T" later document published after the international filing date or priority date and not in conflict with the application but cited to understand the principle or theory underlying the invention | | | | | | | | | | | | | | | | | | | |
| "E" earlier application or patent but published on or after the international filing date | "X" document of particular relevance; the claimed invention cannot be considered novel or cannot be considered to involve an inventive step when the document is taken alone | | | | | | | | | | | | | | | | | | | |
| "L" document which may throw doubts on priority claim(s) or which is cited to establish the publication date of another citation or other special reason (as specified) | "Y" document of particular relevance; the claimed invention cannot be considered to involve an inventive step when the document is combined with one or more other such documents, such combination being obvious to a person skilled in the art | | | | | | | | | | | | | | | | | | | |
| "O" document referring to an oral disclosure, use, exhibition or other means | "&" document member of the same patent family | | | | | | | | | | | | | | | | | | | |
| "P" document published prior to the international filing date but later than the priority date claimed | | | | | | | | | | | | | | | | | | | | |
| <p>Date of the actual completion of the international search 29 December 2008 (29.12.2008)</p> | | <p>Date of mailing of the international search report 12 JAN 2009</p> | | | | | | | | | | | | | | | | | | |
| <p>Name and mailing address of the ISA/US Mail Stop PCT, Attn: ISA/US, Commissioner for Patents P.O. Box 1450, Alexandria, Virginia 22313-1450 Facsimile No. 571-273-3201</p> | | <p>Authorized officer:  PCT Helpdesk: 571-272-4300 PCT OSP: 571-272-7774</p> | | | | | | | | | | | | | | | | | | |