



US00D375145S

# United States Patent [19]

[11] Patent Number: **Des. 375,145**

**Doughty et al.**

[45] Date of Patent: **\*\*Oct. 29, 1996**

[54] **FAUCET**

[75] Inventors: **Frederic C. Doughty**, S. Pasadena;  
**Darren M. Mark**, Castaic, both of Calif.

[73] Assignee: **Emhart Inc.**, Newark, Del.

[\*\*] Term: **14 Years**

[21] Appl. No.: **44,386**

[22] Filed: **Sep. 22, 1995**

[52] U.S. Cl. .... **D23/243**

[58] Field of Search ..... D23/238-243,  
D23/250-257; 4/675-678; 137/801

[56] **References Cited**

**U.S. PATENT DOCUMENTS**

D. 144,249	3/1946	Hinderer .....	D23/243
D. 182,867	5/1958	Young .	
D. 193,924	10/1962	Harty .....	D23/241
D. 207,044	2/1967	Hurwitz .	
D. 216,692	3/1970	Young .	
D. 221,429	8/1971	Petterson .	

D. 235,546	6/1975	Landell .	
D. 258,519	3/1981	Thevenot .....	D23/243
D. 258,525	3/1981	Thevenot .	
D. 260,677	9/1981	Thevenot .	
D. 279,923	7/1985	Niemann et al. ....	D23/255
D. 340,506	10/1993	Souter et al. .	
D. 359,342	6/1995	Doughty et al. .	

*Primary Examiner*—Stella Reid  
*Assistant Examiner*—Eric Watterson  
*Attorney, Agent, or Firm*—J. Bruce Hoofnagle

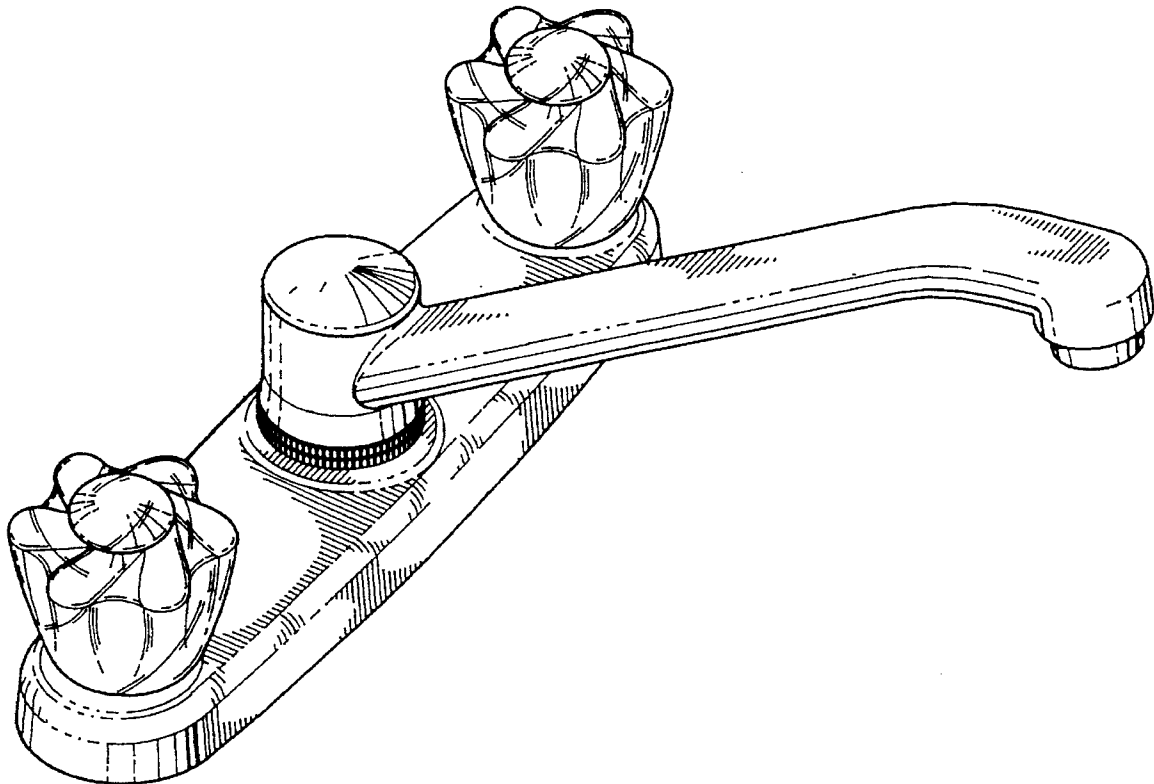
[57] **CLAIM**

The ornamental design for a faucet, as shown and described.

**DESCRIPTION**

FIG. 1 is a top perspective view of a faucet showing my new design;  
FIG. 2 is a front elevational view thereof;  
FIG. 3 is a rear elevational view thereof;  
FIG. 4 is a left side elevational view, the right side being a mirror image thereof;  
FIG. 5 is a top plan view thereof; and,  
FIG. 6 is a bottom plan view thereof.

**1 Claim, 3 Drawing Sheets**



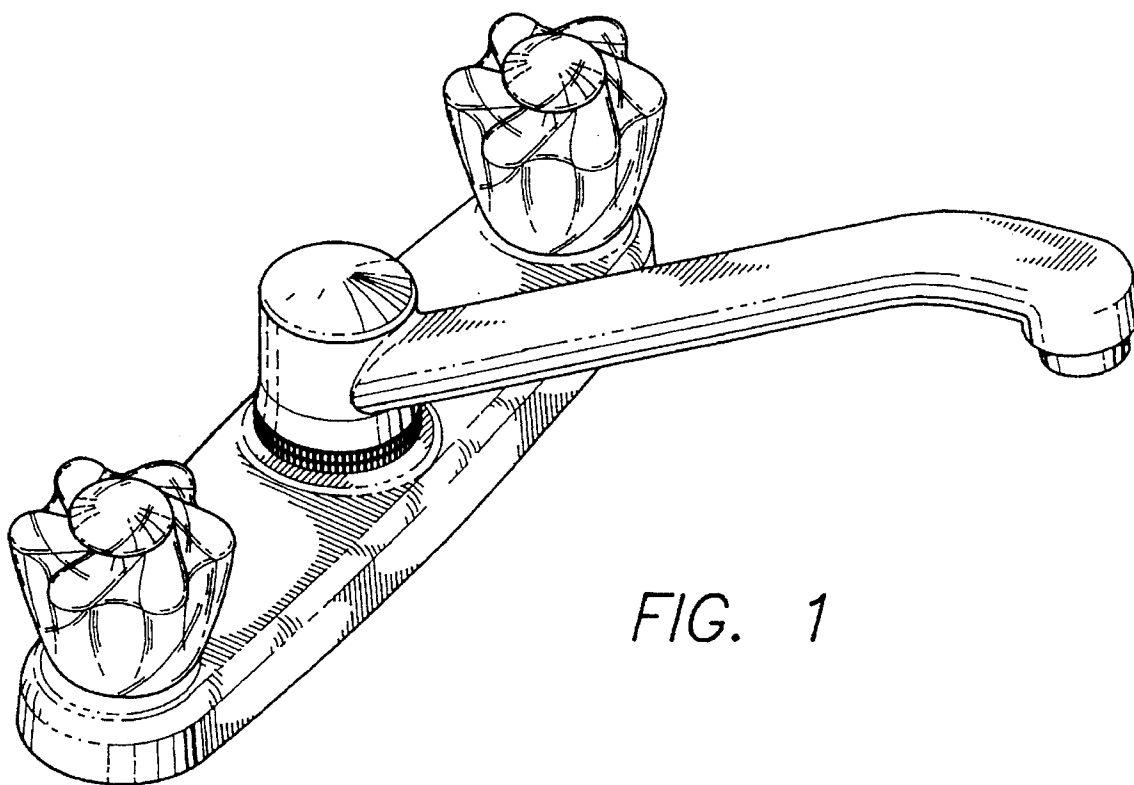


FIG. 1

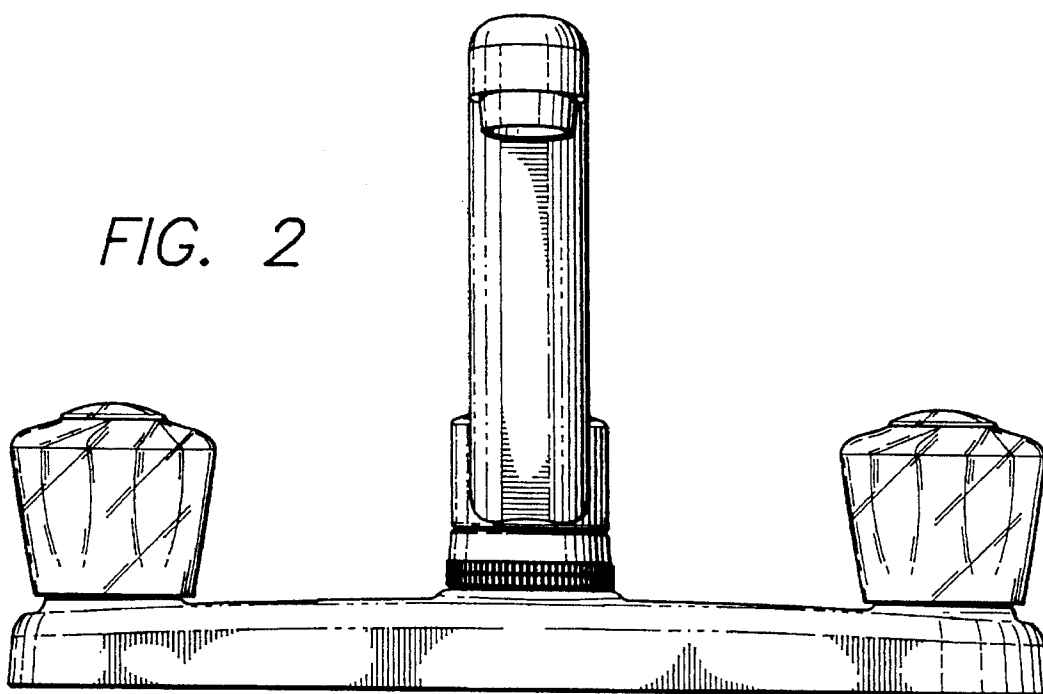


FIG. 2

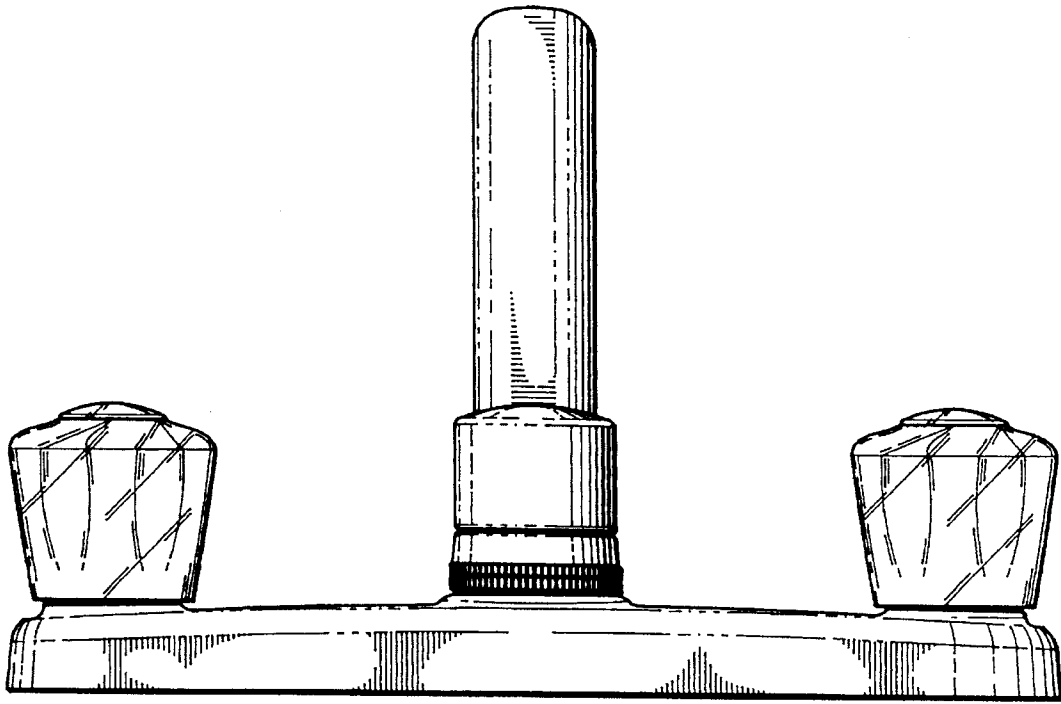


FIG. 3

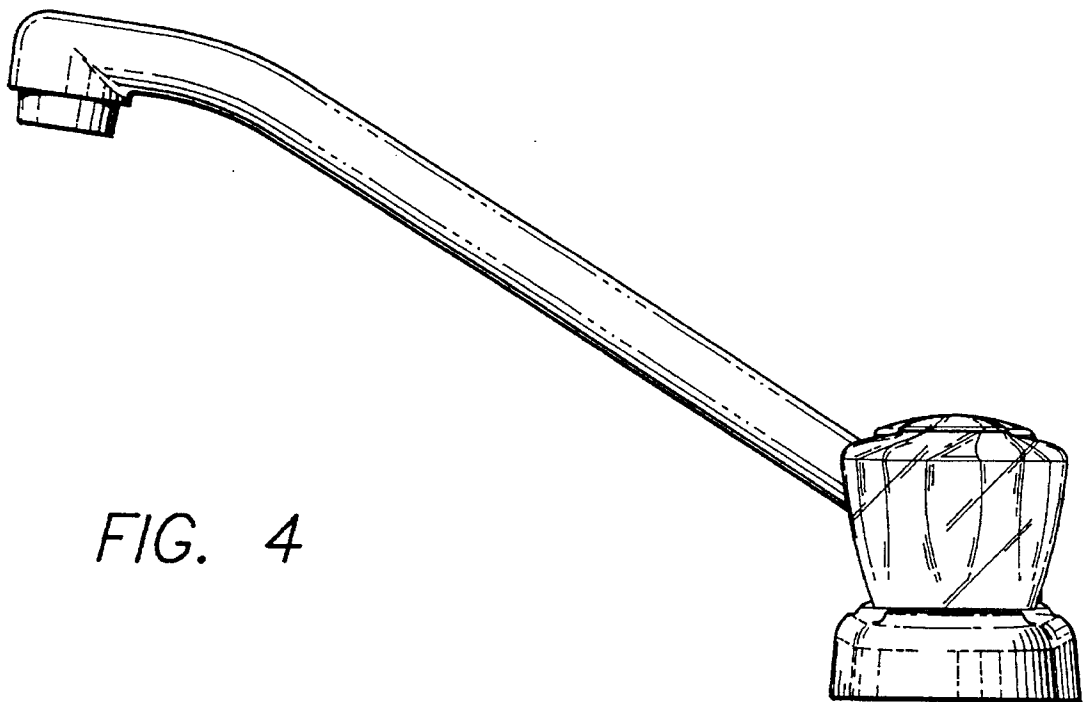


FIG. 4

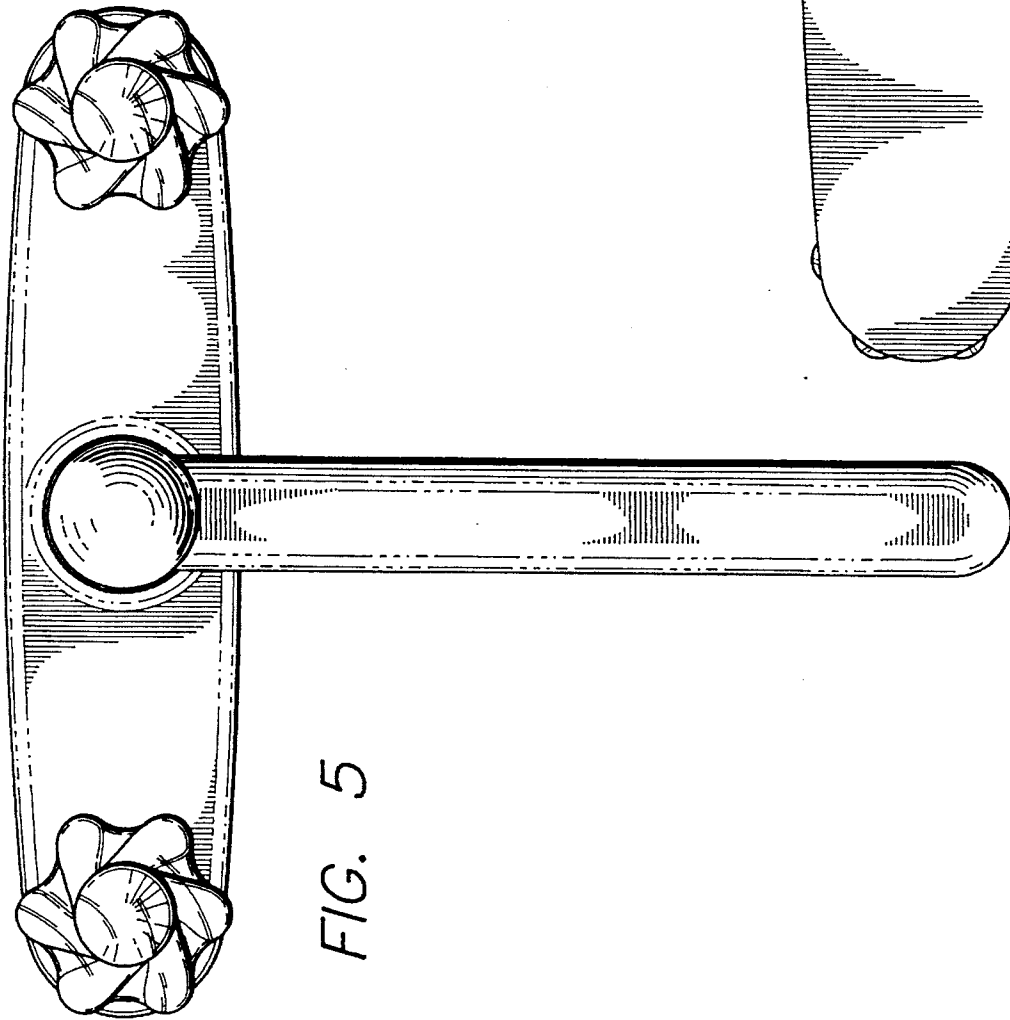


FIG. 5

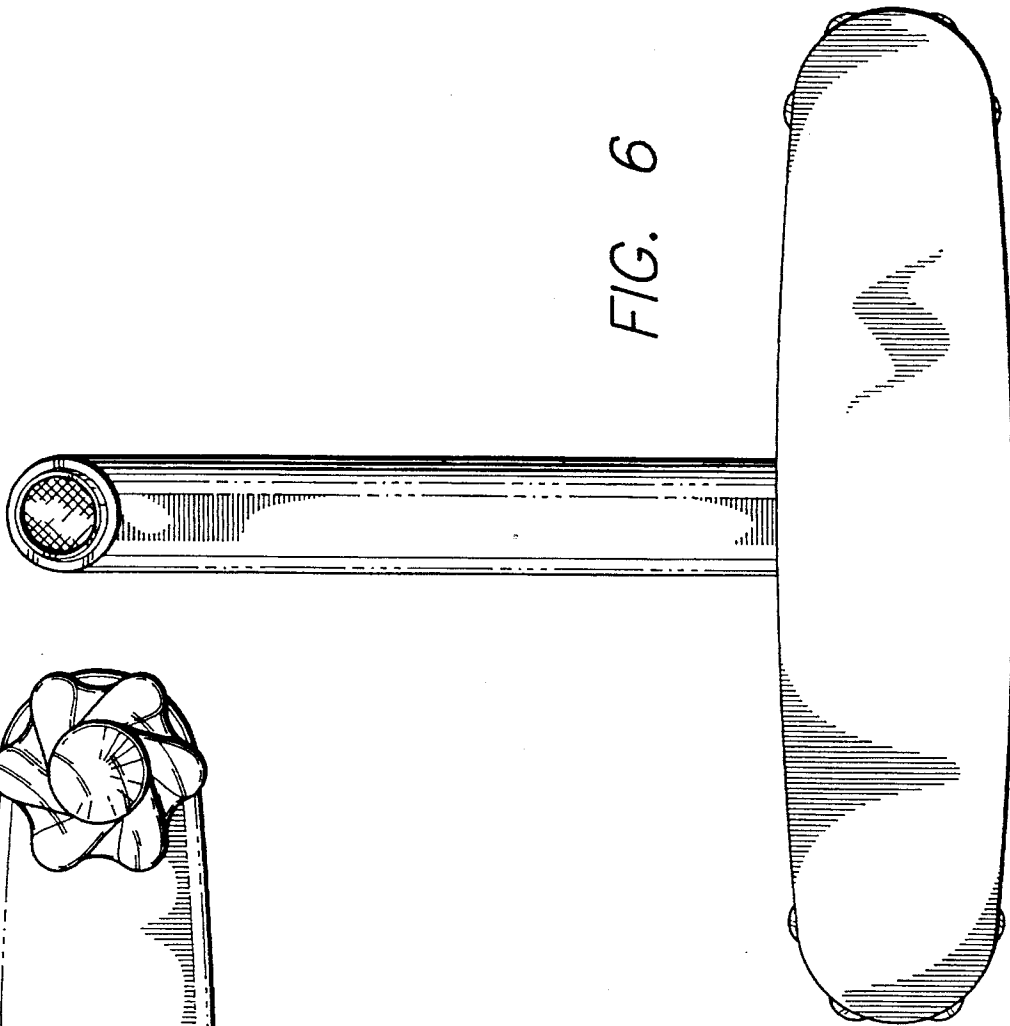


FIG. 6