



US00D429001S

# United States Patent [19]

[11] Patent Number: **Des. 429,001**

**Benz et al.**

[45] Date of Patent: **\*\* Aug. 1, 2000**

[54] **FRAME PROFILE**

D. 373,832	9/1996	Nomura	.....	D25/122
5,199,235	4/1993	Holkenbrink et al.	.....	52/205
5,657,591	8/1997	Kitada	.....	52/204.1

[75] Inventors: **Albrecht Benz**,  
Leinfelden-Echterdingen; **Joerg  
Walther**, Korntal; **Johannes Koban**,  
Stuttgart; **Olaf Klemm**,  
Markgroeningen; **Armin  
Breitenbuecher**, Pluederhausen, all of  
Germany

**FOREIGN PATENT DOCUMENTS**

91 03 993 U 12/1991 Germany .

*Primary Examiner*—Doris Clark  
*Attorney, Agent, or Firm*—Michael J. Striker

[73] Assignee: **Robert Bosch GmbH**, Stuttgart,  
Germany

[57] **CLAIM**

[\*\*] Term: **14 Years**

The ornamental design for a frame profile, as shown and described

[21] Appl. No.: **29/088,127**

**DESCRIPTION**

[22] Filed: **May 15, 1998**

FIG. 1 is a top, front, and right side perspective view showing our new design;

[30] **Foreign Application Priority Data**

Nov. 19, 1997 [DE] Germany ..... M 97 10 771

FIG. 2 is a front view thereof;

[51] **LOC (7) Cl.** ..... **25-02**

FIG. 3 is a bottom plan view thereof;

[52] **U.S. Cl.** ..... **D25/60**

FIG. 4 is a right side view thereof;

[58] **Field of Search** ..... D25/61, 52, 124,

FIG. 5 is a top plan view thereof;

D25/122, 60; 52/204.1, 205, 206, 204.5

FIG. 6 is a rear view thereof; and,

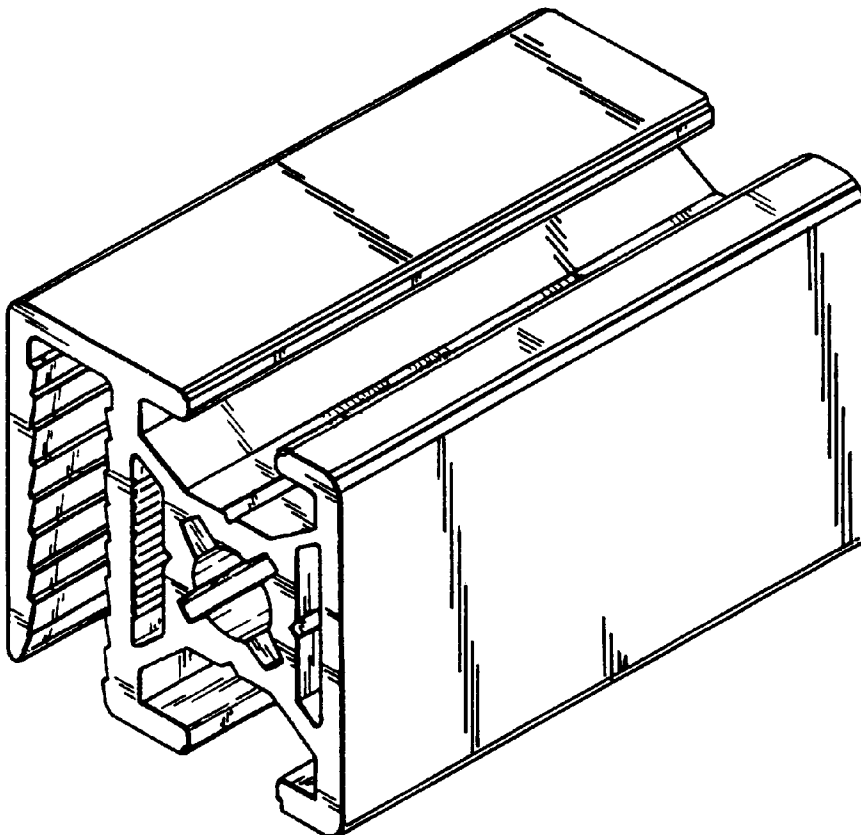
[56] **References Cited**

FIG. 7 is a left side view thereof.

**U.S. PATENT DOCUMENTS**

D. 313,078 12/1990 Rinehart ..... D25/60

**1 Claim, 2 Drawing Sheets**



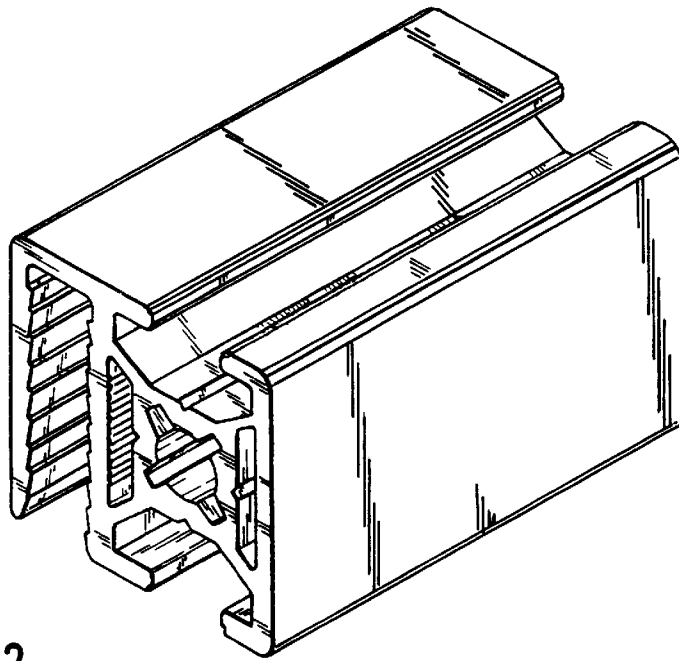


FIG. 1

FIG. 2

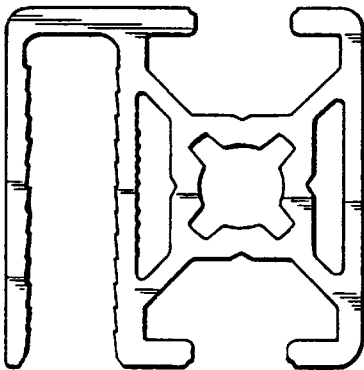


FIG. 4

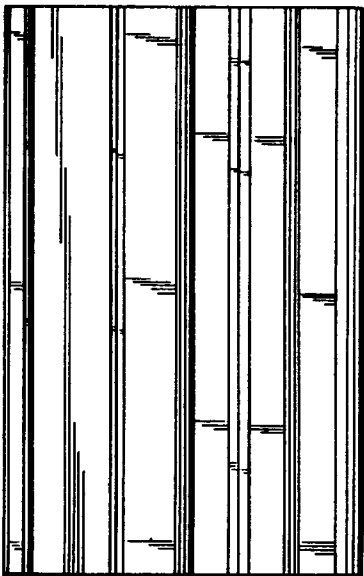
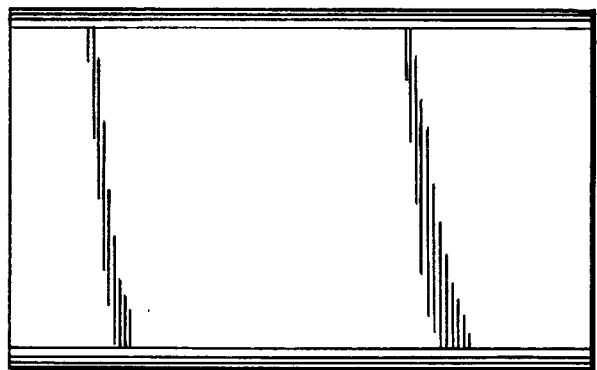


FIG. 3

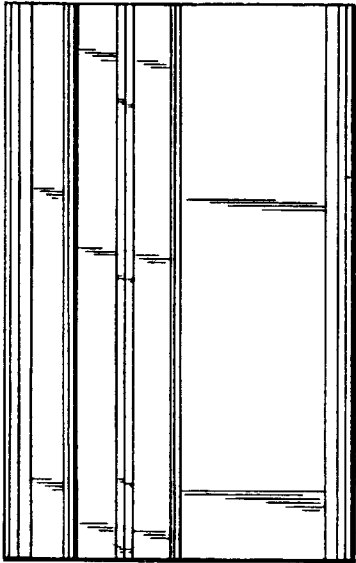


FIG. 5

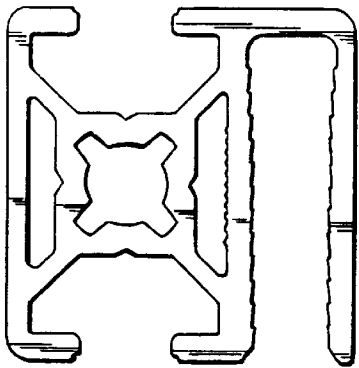


FIG. 6

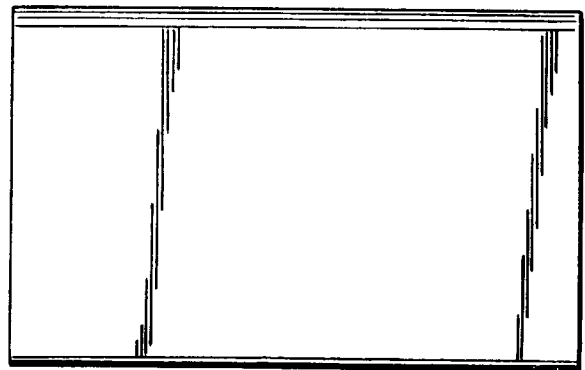


FIG. 7