



US00D715770S

(12) **United States Design Patent**
McManigal

(10) **Patent No.:** **US D715,770 S**

(45) **Date of Patent:** **** Oct. 21, 2014**

(54) **CURVED SOUNDBAR**

(71) Applicant: **Scott Paul McManigal**, Newport Beach, CA (US)

(72) Inventor: **Scott Paul McManigal**, Newport Beach, CA (US)

(73) Assignee: **Vizio Inc.**, Irvine, CA (US)

(**) Term: **14 Years**

(21) Appl. No.: **29/452,229**

(22) Filed: **Apr. 13, 2013**

(51) **LOC (10) Cl.** **14-03**

(52) **U.S. Cl.**

USPC **D14/214**

(58) **Field of Classification Search**

CPC B60R 11/0217; H04M 1/03; H04M 1/035; H04N 5/642; H04N 21/4852; H04R 1/02; H04R 1/06; H04R 1/021; H04R 1/025; H04R 1/026; H04R 1/028; H04R 1/105; H04R 1/323; H04R 1/403; H04R 1/2803; H04R 1/2834; H04R 5/02; H04R 7/20; H04R 9/06; H04R 9/025; H04R 2201/021; H04R 2400/00; H04R 2400/07; H04R 2499/11; H04R 2499/13; H04R 2499/15; H04S 3/00; H04S 7/30; G06F 1/1688
USPC D14/167, 168, 170-172, 188, 194-196, D14/204, 207, 209.1, 210-216, 221, 222, D14/224; 181/143, 144, 147, 148, 150, 153, 181/157, 198, 199; 381/300-303, 306, 332, 381/333, 336, 345, 361-364, 386-388; 369/6-12

See application file for complete search history.

(56) **References Cited**

U.S. PATENT DOCUMENTS

D478,891 S *	8/2003	Hisatsune	D14/211
D545,811 S *	7/2007	Yamamoto et al.	D14/211
D547,748 S *	7/2007	Tsuge	D14/211
D558,736 S *	1/2008	Kita	D14/214
D659,677 S *	5/2012	Kim et al.	D14/214
D669,884 S *	10/2012	Hou	D14/214
D684,561 S *	6/2013	Ni	D14/214
D703,194 S *	4/2014	Jacobs et al.	D14/225

* cited by examiner

Primary Examiner — Keli L Hill

(74) *Attorney, Agent, or Firm* — Law Office of Scott C. Harris, Inc.

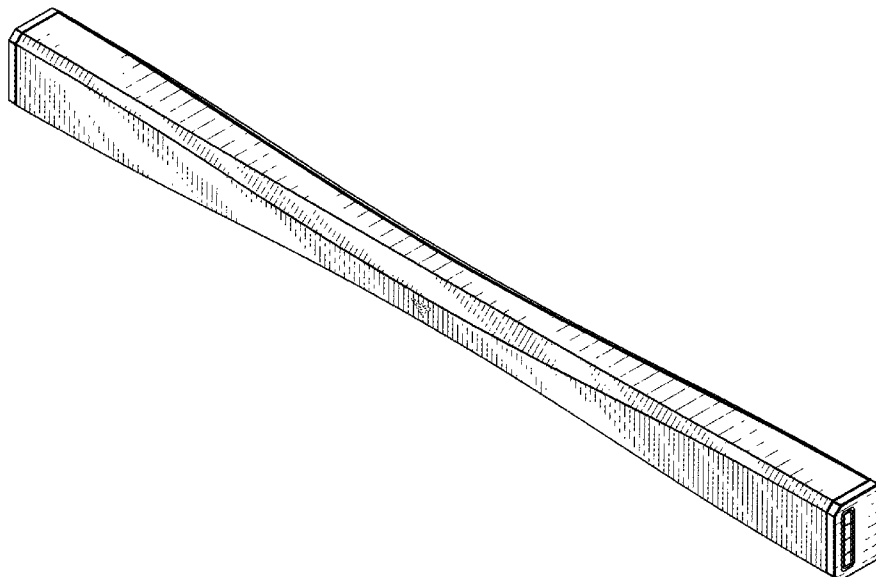
(57) **CLAIM**

I claim the ornamental design for a curved soundbar, as shown and described.

DESCRIPTION

FIG. 1 is a front perspective view of the curved soundbar; FIG. 2 is a front view of the curved soundbar; FIG. 3 shows a rear view of the curved soundbar; FIG. 4 shows a first side-on view of the curved soundbar; FIG. 5 shows a second side-on view of the curved soundbar; FIG. 6 shows a top view of the curved soundbar; and, FIG. 7 shows a bottom view of the curved soundbar. The broken lines shown are included for the purpose of illustrating portions of the curved soundbar that form no part of the claim.

1 Claim, 3 Drawing Sheets



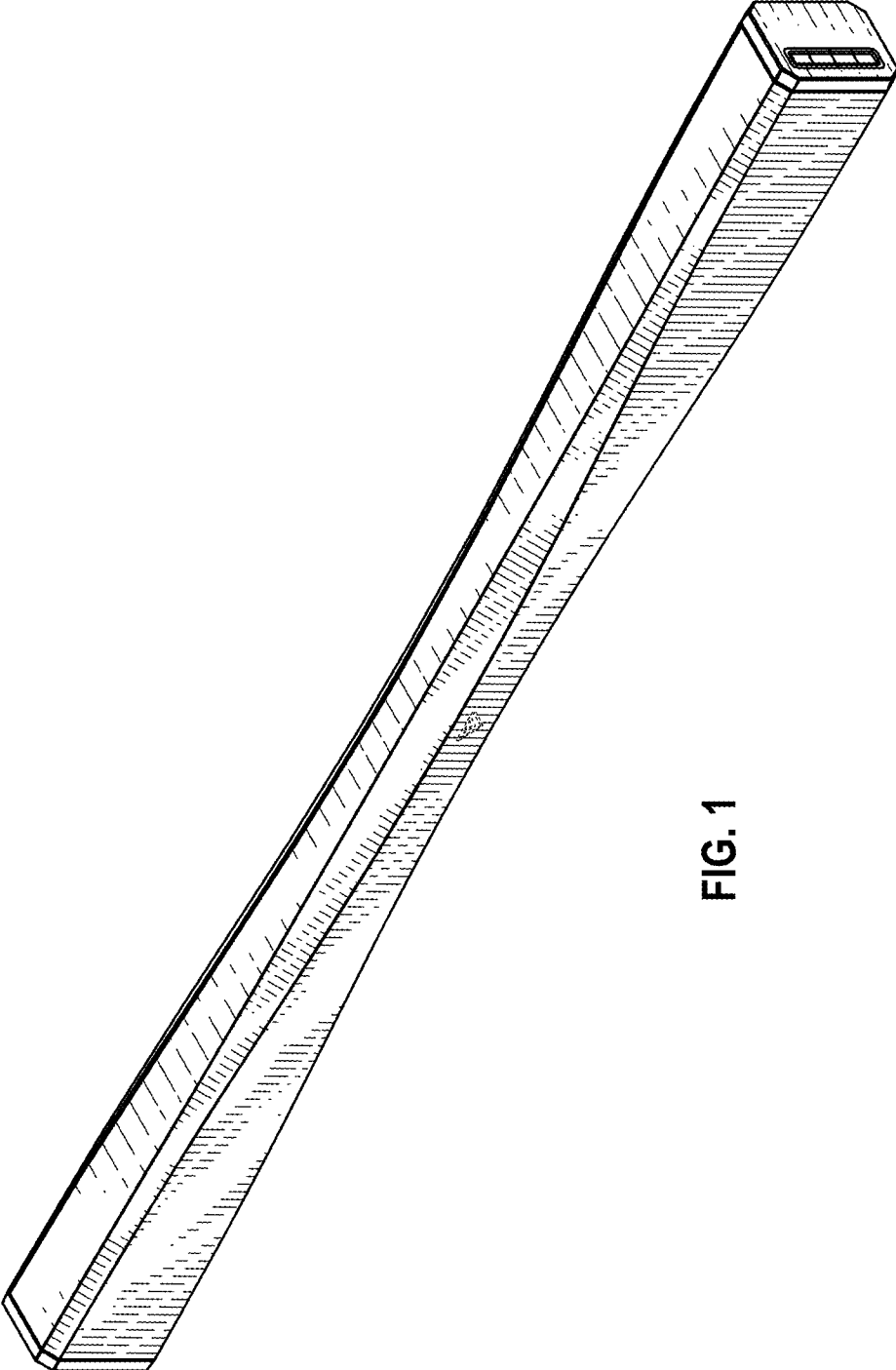


FIG. 1

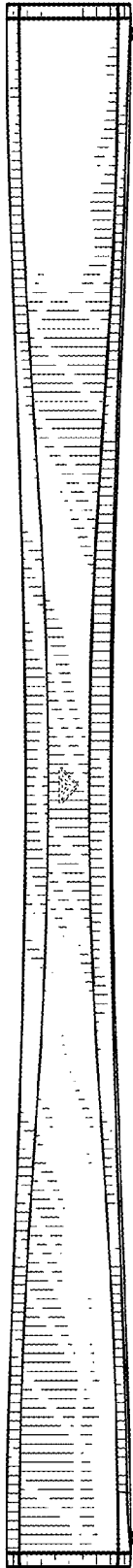


FIG. 2

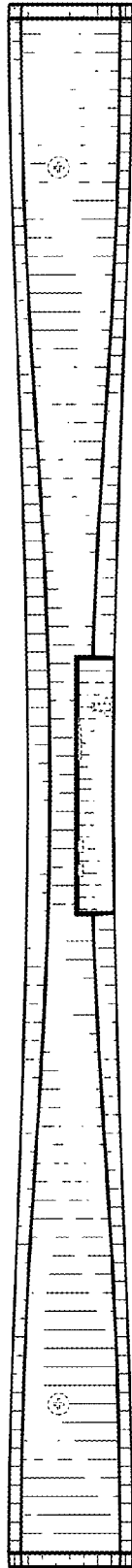


FIG. 3

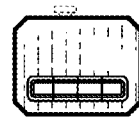


FIG. 4

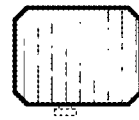


FIG. 5

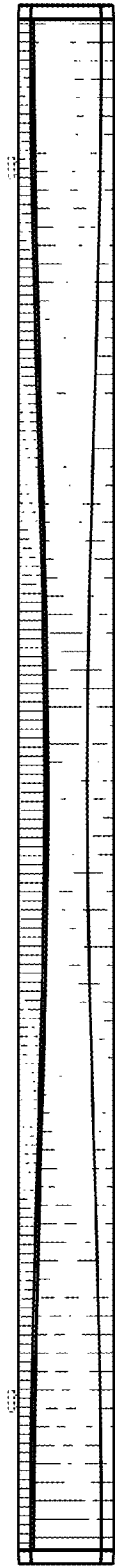


FIG. 6

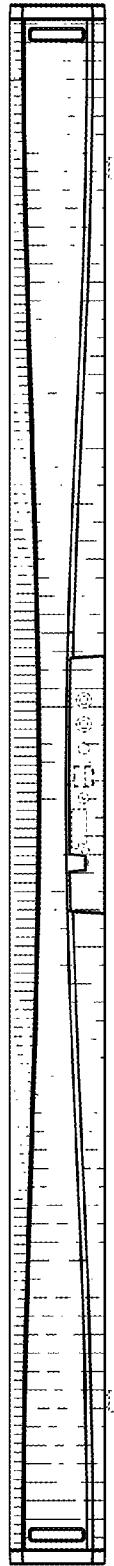


FIG. 7