



US00D742267S

(12) **United States Design Patent**
Strong et al.

(10) **Patent No.:** **US D742,267 S**

(45) **Date of Patent:** **** Nov. 3, 2015**

(54) **REFLECTOR**

(71) Applicant: **Dow Corning Corporation**, Midland, MI (US)

(72) Inventors: **Michael Raymond Strong**, Midland, MI (US); **Harold W. Brunt, Jr.**, Grand Rapids, MI (US); **Wei Rong**, Midland, MI (US); **Jacob William Steinbrecher**, Midland, MI (US); **Emil Radkov**, Midland, MI (US)

(73) Assignee: **DOW CORNING CORPORATION**, Midland, MI (US)

(**) Term: **14 Years**

(21) Appl. No.: **29/488,693**

(22) Filed: **Apr. 22, 2014**

(51) **LOC (10) Cl.** **10-05**

(52) **U.S. Cl.** **D10/111**
USPC

(58) **Field of Classification Search**
USPC D10/111, 113.1, 113.4, 109.1, D10/114.1-114.2, 114.4, 107; D26/97, 91, D26/28, 37

See application file for complete search history.

(56) **References Cited**

U.S. PATENT DOCUMENTS

3,419,593 A	12/1968	Willing	
3,504,339 A *	3/1970	Bailey	362/263
3,893,754 A	7/1975	McInally	
3,901,813 A *	8/1975	Potopinski	250/208.4
3,916,816 A *	11/1975	Fitch	116/63 P
4,087,585 A	5/1978	Schulz	
4,766,176 A	8/1988	Lee et al.	
5,017,654 A	5/1991	Togashi et al.	

D323,789 S *	2/1992	Cohen et al.	D10/111
5,194,649 A	3/1993	Okawa	
5,444,606 A	8/1995	Barnes et al.	
6,124,407 A	9/2000	Lee et al.	
6,550,938 B2	4/2003	Barnes, II et al.	
7,710,663 B2	5/2010	Barnes et al.	
8,075,162 B2	12/2011	Falicoff et al.	

FOREIGN PATENT DOCUMENTS

KR	1340256 B1	12/2013
WO	WO2013186977 A1	12/2013

OTHER PUBLICATIONS

English language abstract for KR1340256 extracted from espacenet, on May 22, 2014; 1 page.

English language abstract for WO2013186977 extracted from espacenet, on May 7, 2014; 2 pages.

* cited by examiner

Primary Examiner — George D Kirschbaum

(74) *Attorney, Agent, or Firm* — Dow Corning Corporation

(57) **CLAIM**

The ornamental design for a reflector, as substantially shown and described.

DESCRIPTION

FIG. 1 is a top perspective view of a reflector;

FIG. 2 is a bottom perspective view thereof;

FIG. 3 is side view thereof;

FIG. 4 is a bottom view thereof;

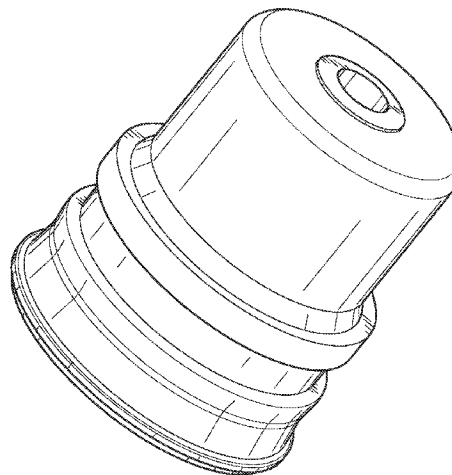
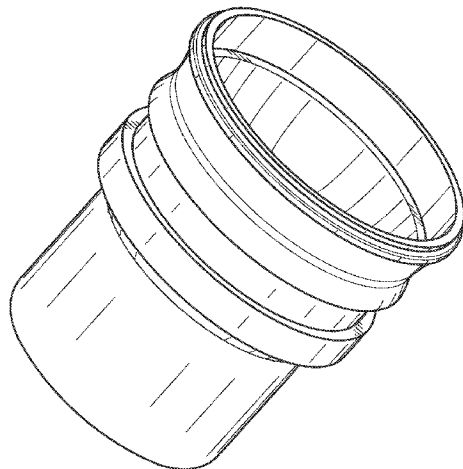
FIG. 5 is a top view thereof;

FIG. 6 is a top perspective view thereof in use; and,

FIG. 7 is a top view thereof in use.

The broken lines in FIG. 6 illustrate environment and form no part of the claimed design. None of the broken lines illustrated in the Figures form a part of the claimed design.

1 Claim, 3 Drawing Sheets



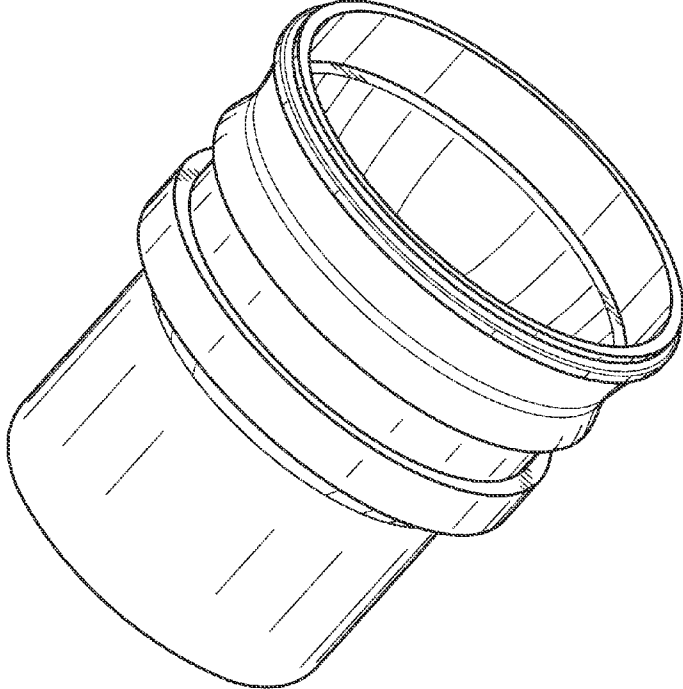
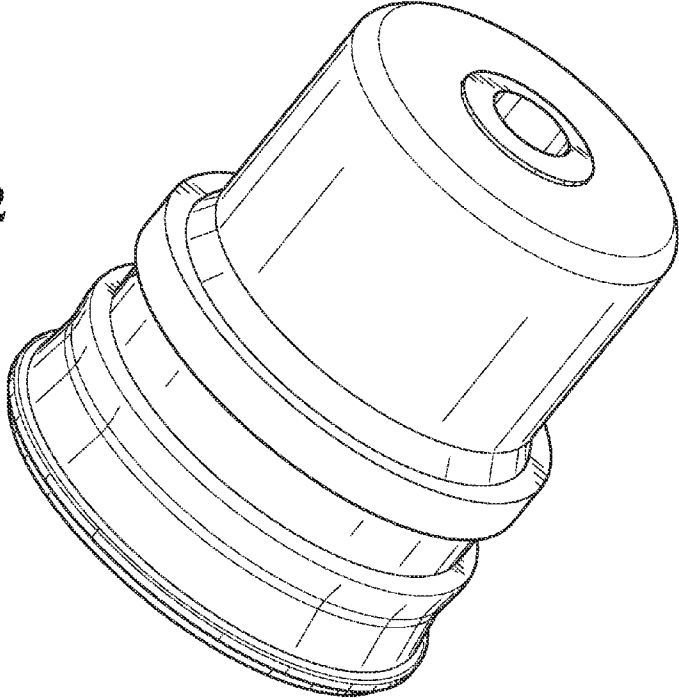


FIG. 1

FIG. 2



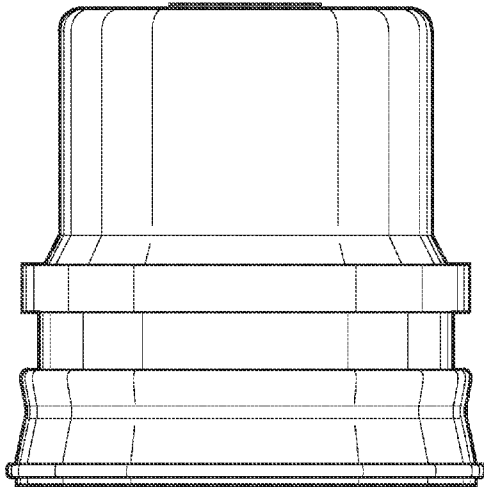


FIG. 3

FIG. 4

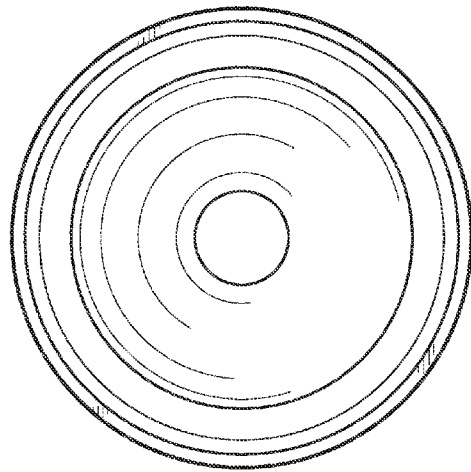
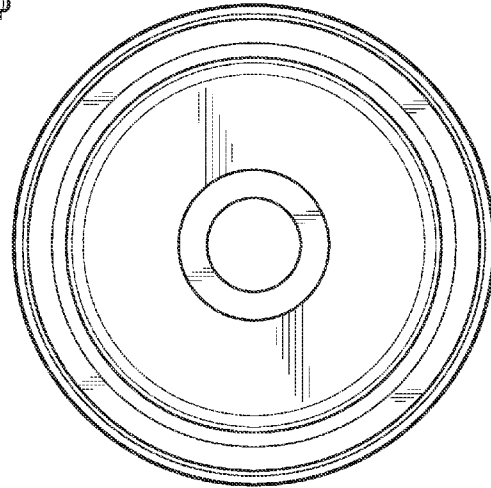


FIG. 5

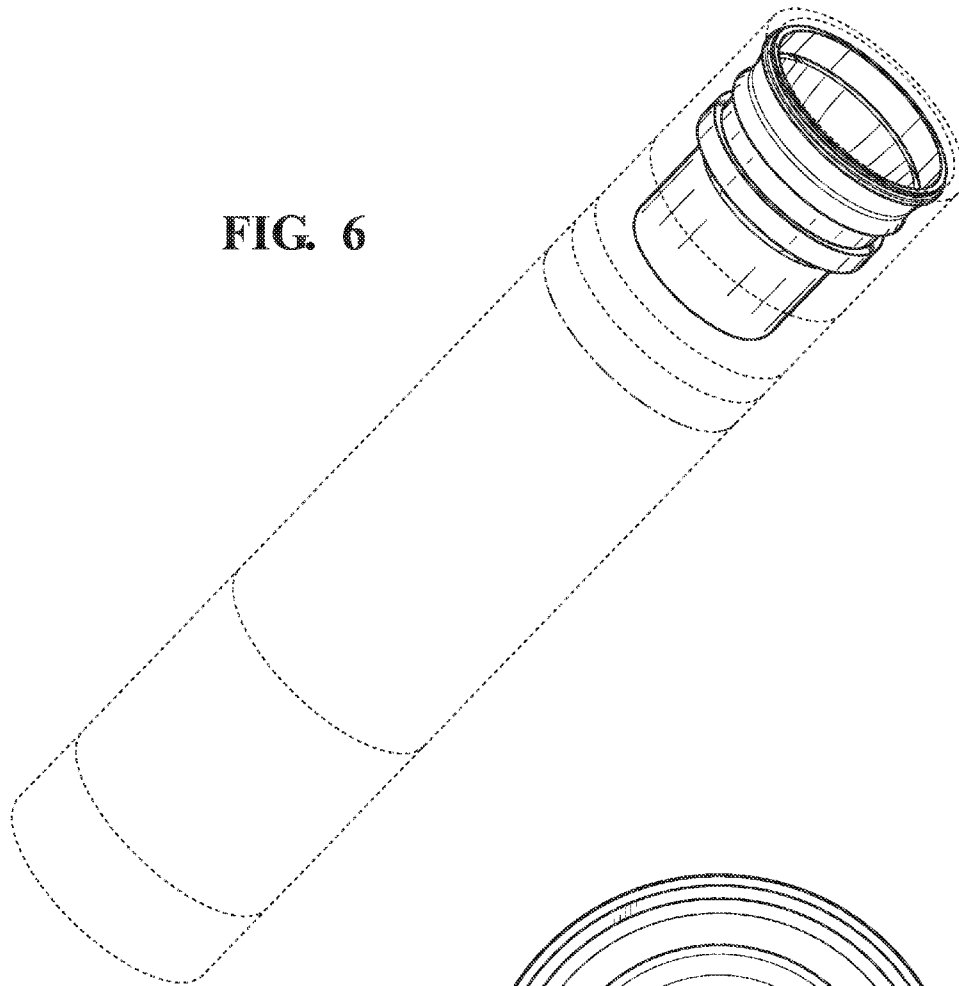


FIG. 6

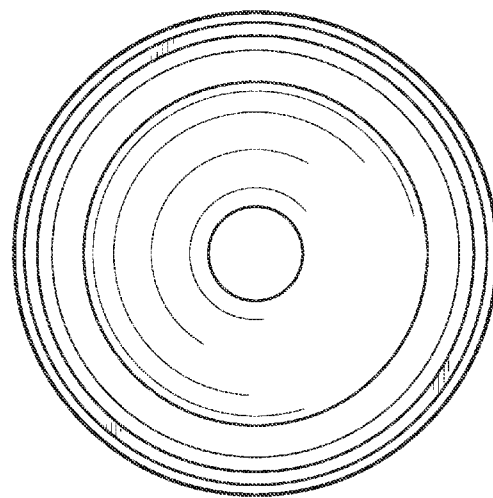


FIG. 7