



US00D964362S

(12) **United States Design Patent**
Zhu

(10) **Patent No.:** **US D964,362 S**

(45) **Date of Patent:** **** Sep. 20, 2022**

(54) **WIRELESS KEYBOARD**

(71) Applicant: **Dawen Zhu**, DongGuan (CN)

(72) Inventor: **Dawen Zhu**, DongGuan (CN)

(73) Assignee: **Dongguan Bluefinger Electronics Co., Limited**, Dongguan (CN)

(**) Term: **15 Years**

(21) Appl. No.: **29/731,408**

(22) Filed: **Apr. 15, 2020**

(51) **LOC (13) Cl.** **14-02**

(52) **U.S. Cl.**

USPC **D14/392**; D14/440; D14/455

(58) **Field of Classification Search**

USPC D14/315–327, 331, 333, 334, 335,
D14/338–340, 388, 390, 391, 392, 394,
D14/396, 399, 432, 433, 439, 440, 443,
D14/447, 450, 451, 454, 455, 471;
D18/1, 4.3, 4.5, 7, 11, 12, 12.2, 12.3
CPC G06F 1/16; G06F 1/1601; G06F 1/1605;
G06F 1/1607; G06F 1/1613; G06F
1/1616; G06F 1/1618; G06F 1/162; G06F
1/1622; G06F 1/1624; G06F 1/1626;
G06F 1/1628; G06F 1/1633; G06F
1/1637; G06F 1/1641; G06F 1/1643;
G06F 1/1647; G06F 1/1649; G06F 1/165;
G06F 1/1652; G06F 1/1654; G06F
1/1656; G06F 1/1662; G06F 1/1664;
G06F 1/1666; G06F 1/1667; G06F
1/1669; G06F 1/1671; G06F 1/1675;
G06F 1/1681; G06F 1/1686; G06F
1/1688; G06F 1/169; G06F 1/1692; G06F
1/181; H05K 5/0017; H05K 5/03; H05K
5/0052; H05K 5/0069; H05K 5/0217;
H05K 5/0239; H05K 5/0249; H05K
5/0247; H05K 5/003; H04B 1/3888;
H04M 1/021; H04M 1/0212

See application file for complete search history.

(56) **References Cited**

U.S. PATENT DOCUMENTS

D675,625 S * 2/2013 Hasbrook D14/440
D755,781 S * 5/2016 Schoenith D14/315
D807,363 S * 1/2018 Hallier D14/440
D890,184 S * 7/2020 Zhu D14/440
D906,341 S * 12/2020 Jiao D14/440
D912,063 S * 3/2021 Yan D14/440
D918,214 S * 5/2021 Chen D14/440

(Continued)

OTHER PUBLICATIONS

Ipad Pro Meet Doqo. YouTube, youtube.com (online) 14 pages.
Posted Jan. 22, 2020. [Retrieved Feb. 8, 2022] <https://www.youtube.com/watch?v=OOSzTu6yMk4> (Year: 2020).*

(Continued)

Primary Examiner — Kathleen L Jones

Assistant Examiner — Cole Sanders Holman

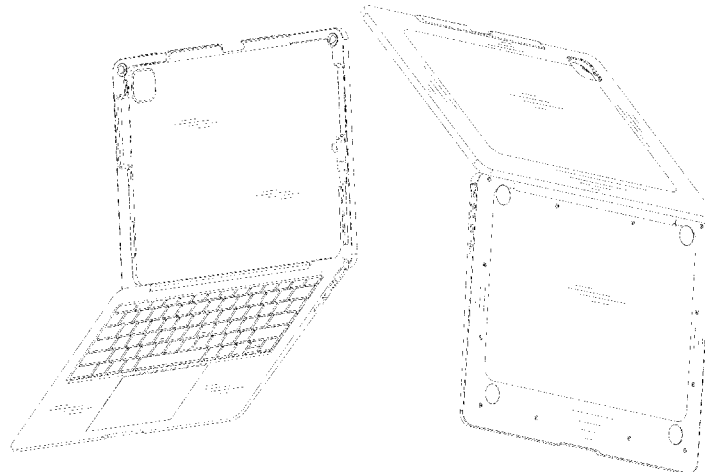
(57) **CLAIM**

The ornamental design for a wireless keyboard, as shown and described.

DESCRIPTION

FIG. 1 is a front perspective view of a wireless keyboard showing my new design;
FIG. 2 is a rear perspective view thereof;
FIG. 3 is a front elevational view thereof;
FIG. 4 is a rear elevational view thereof;
FIG. 5 is a left side elevational view thereof;
FIG. 6 is a right side elevational view thereof;
FIG. 7 is a top plan view thereof;
FIG. 8 is a bottom plan view thereof;
FIG. 9 is a top perspective view thereof, showing the wireless keyboard in a closed position; and,
FIG. 10 is a bottom perspective thereof.

(Continued)



The evenly dashed broken lines in the figures depict portions of the wireless keyboard that forms no part of the claimed design.

1 Claim, 10 Drawing Sheets

(56)

References Cited

U.S. PATENT DOCUMENTS

D924,244	S *	7/2021	Akana	D14/440
D928,165	S *	8/2021	Li	D14/440
D935,467	S *	11/2021	Zhu	D14/440
D940,145	S *	1/2022	Zhang	D14/440
2015/0055284	A1 *	2/2015	Han	F16M 11/38 361/679.12
2016/0187937	A1 *	6/2016	Ahee	G06F 1/1681 361/679.09
2020/0004301	A1 *	1/2020	Cai	G06F 3/017

OTHER PUBLICATIONS

Facebook Doqo. Facebook, facebook.com (online) 1 page. Posted Mar. 19, 2020. [Retrieved Feb. 8, 2022] <https://www.facebook.com/trydoqo/photos/dq1-k129-full-sized-trackpad-8-in-1-hub-for-ipad-pro-129wwwdoqoshop/159245572201641> (Year: 2020).*

* cited by examiner

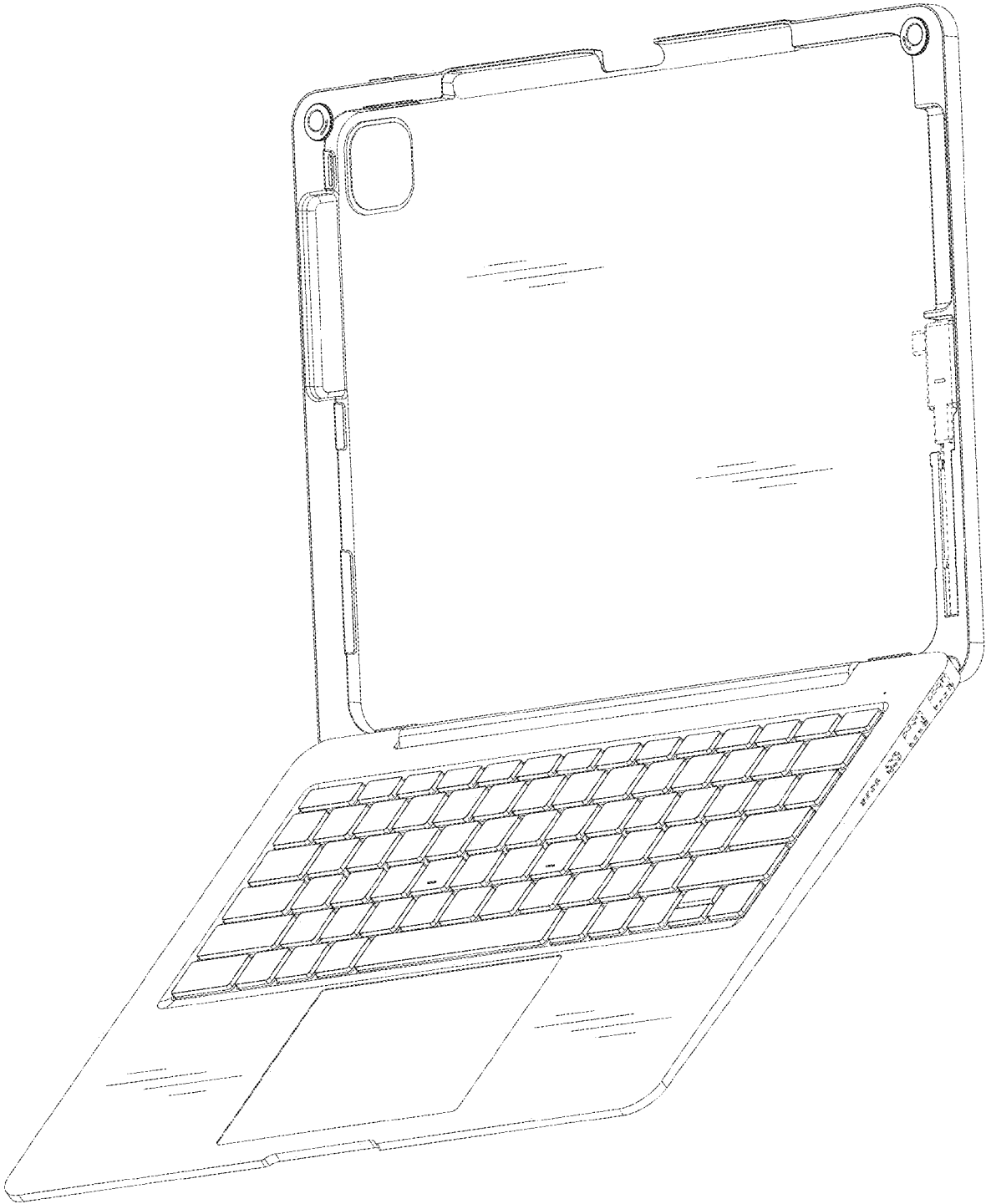


FIG. 1

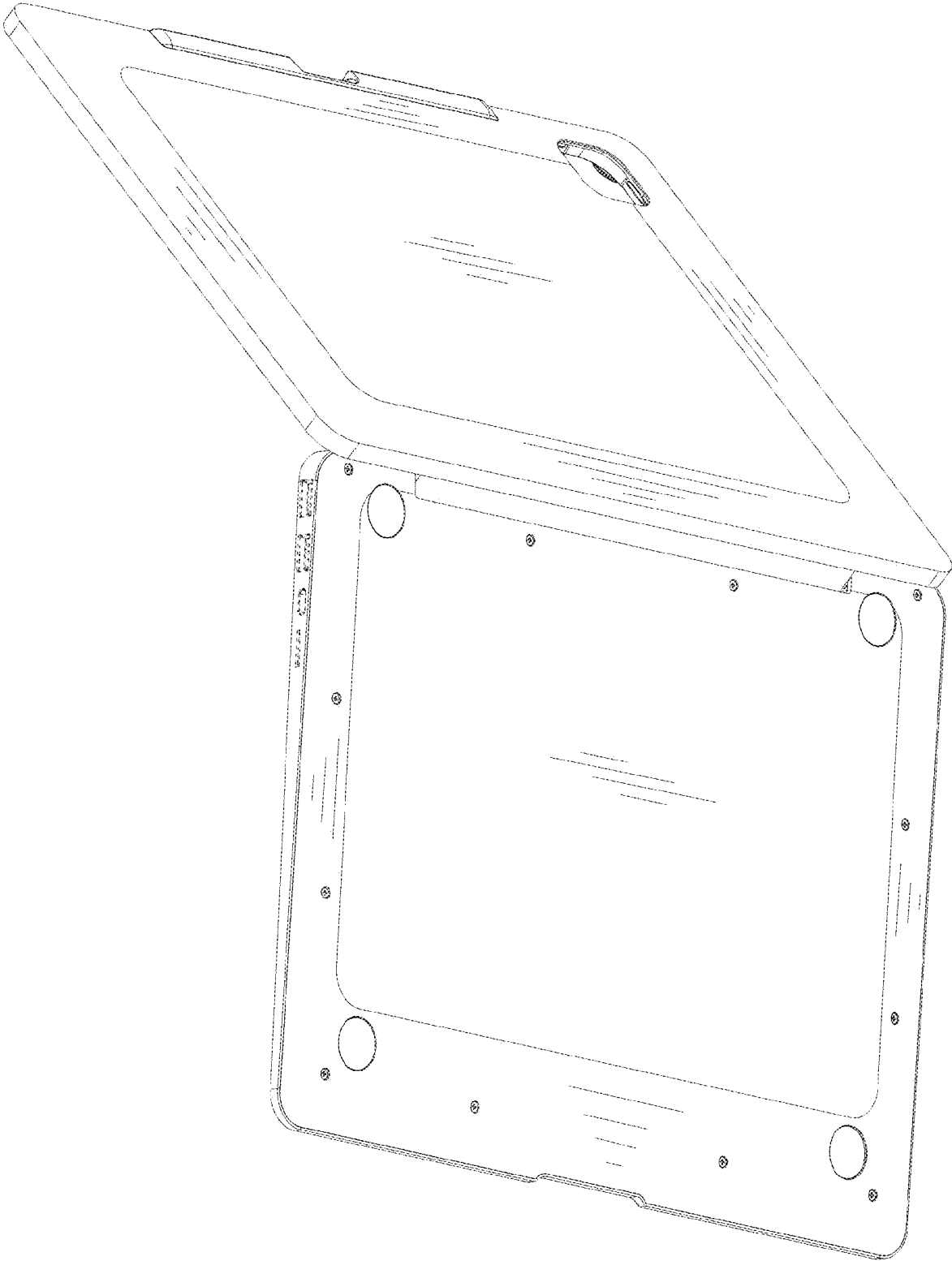


FIG. 2

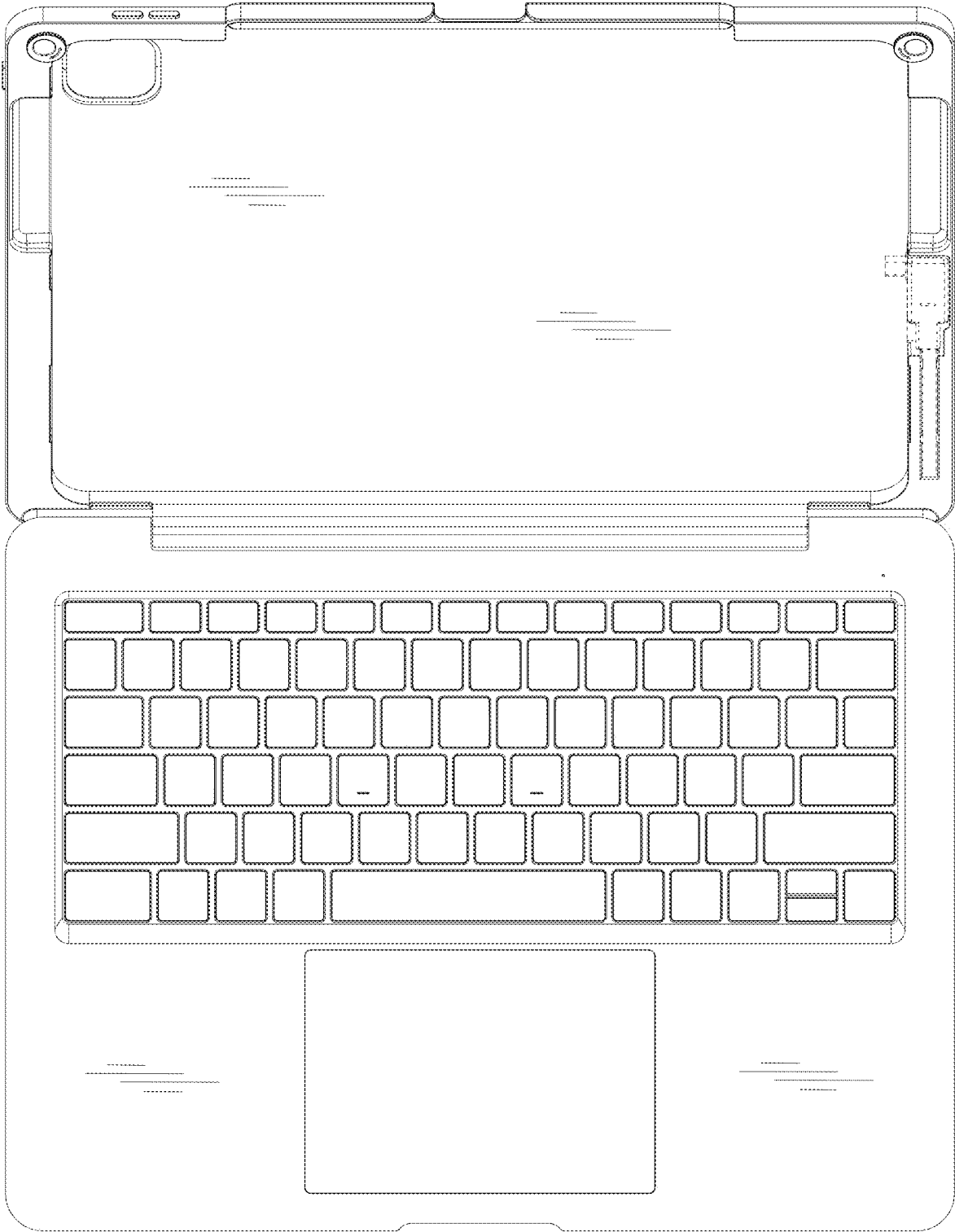


FIG. 3

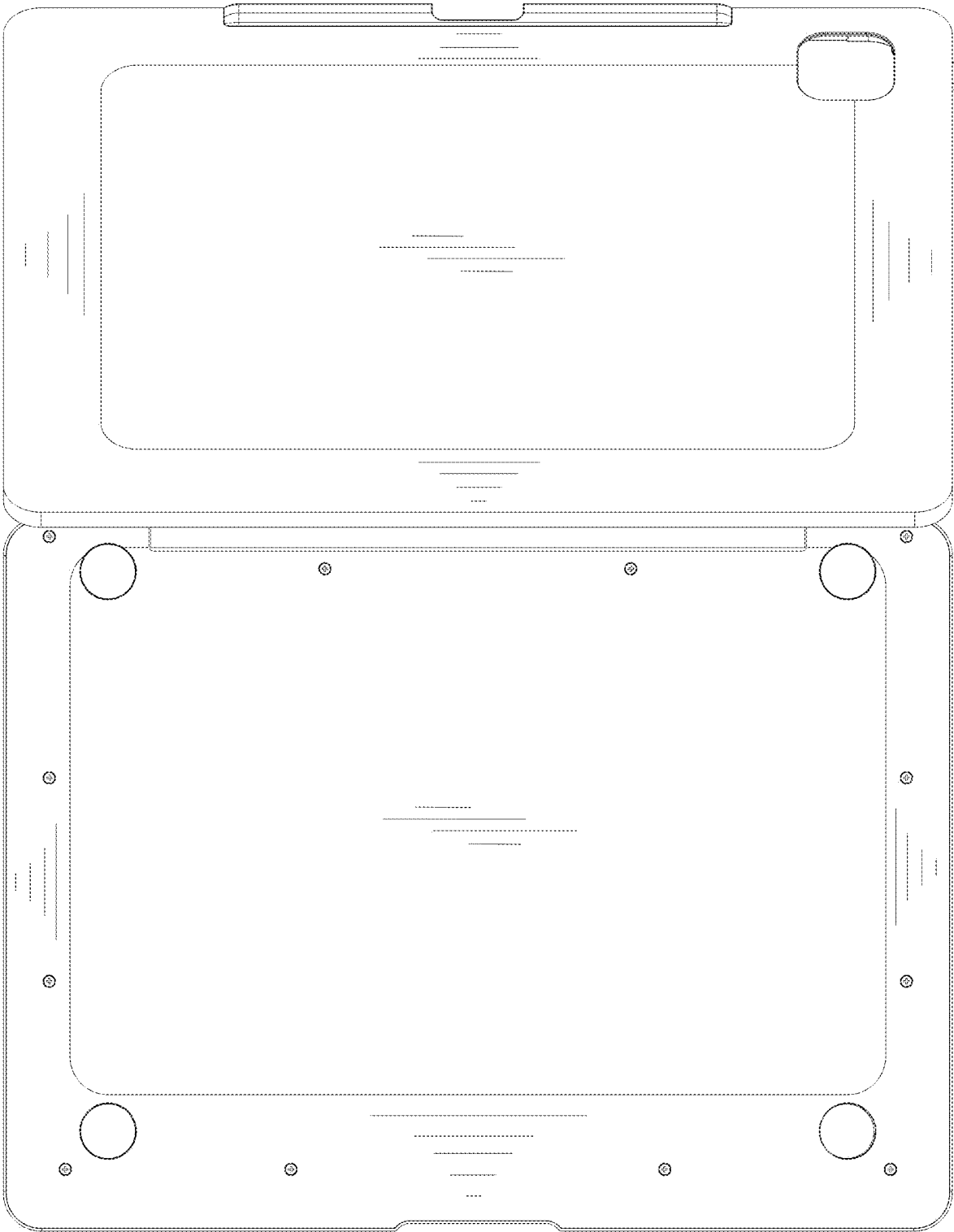


FIG. 4

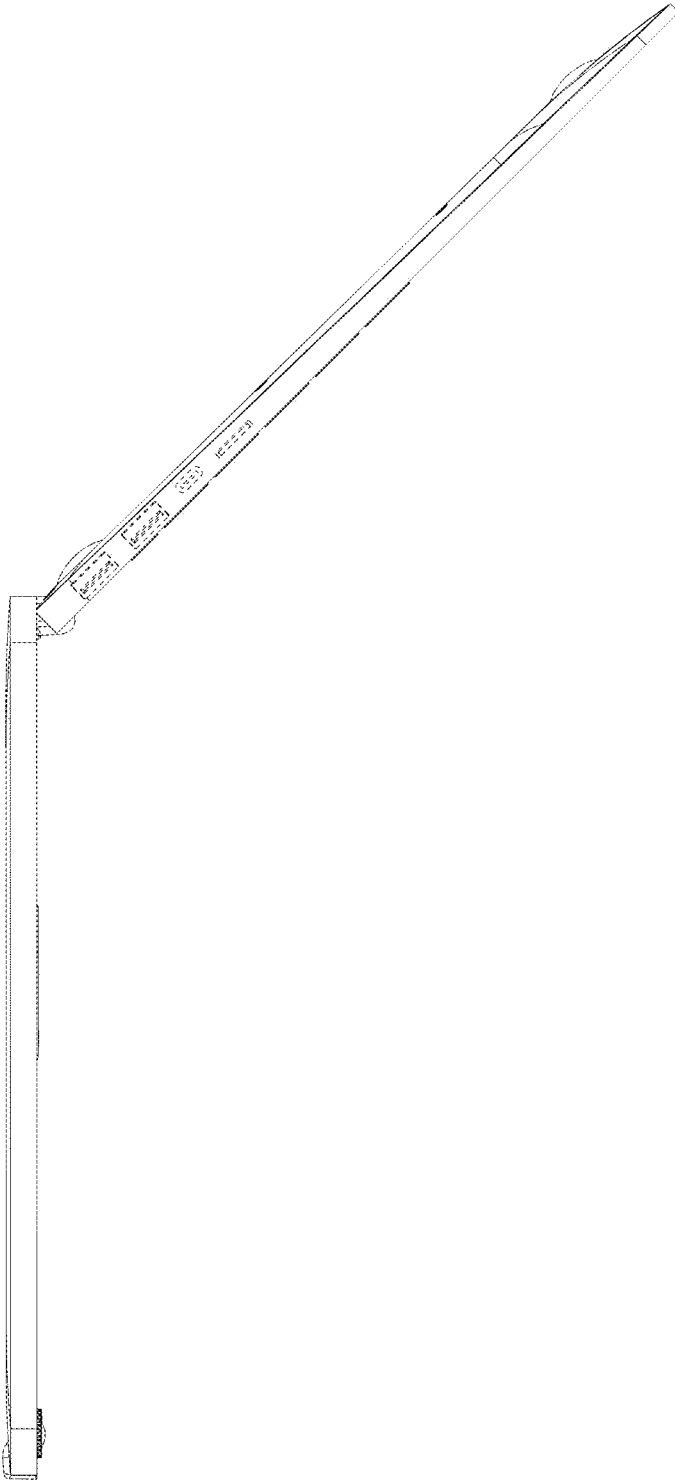


FIG. 5

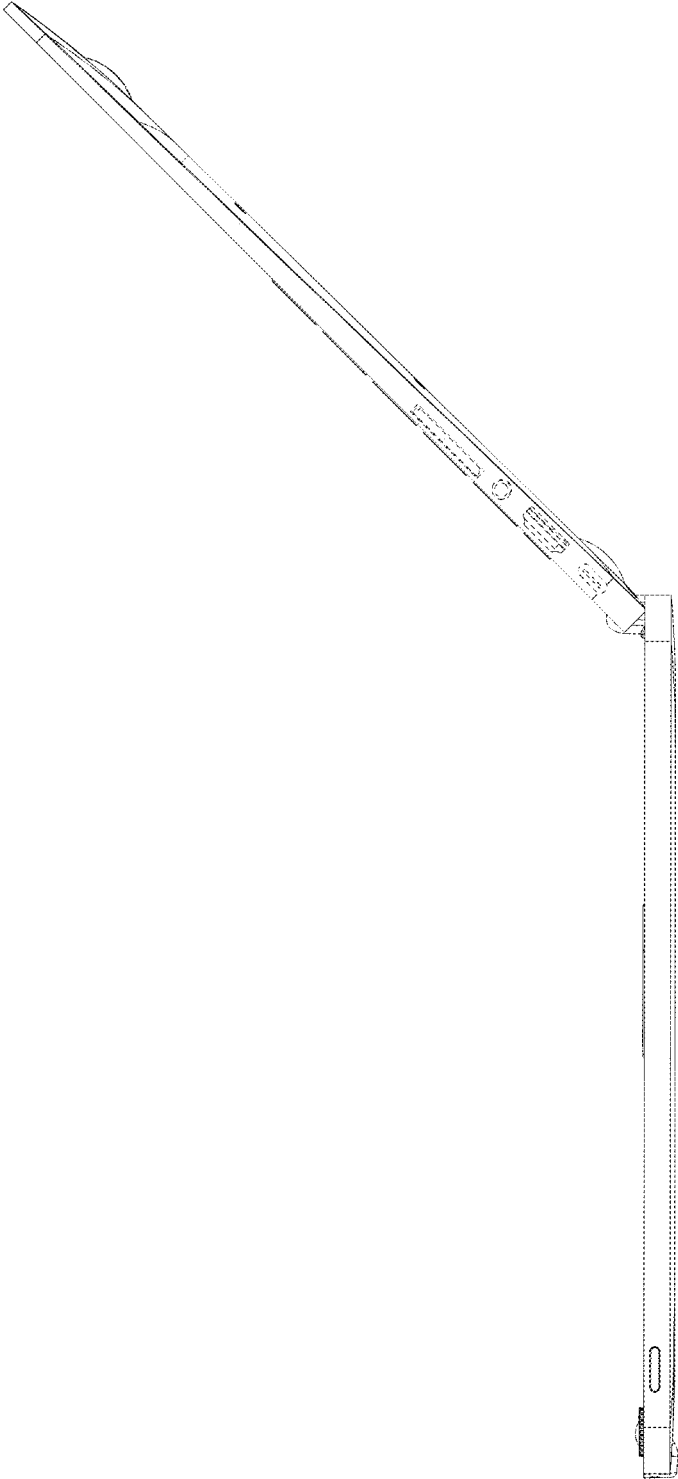


FIG. 6

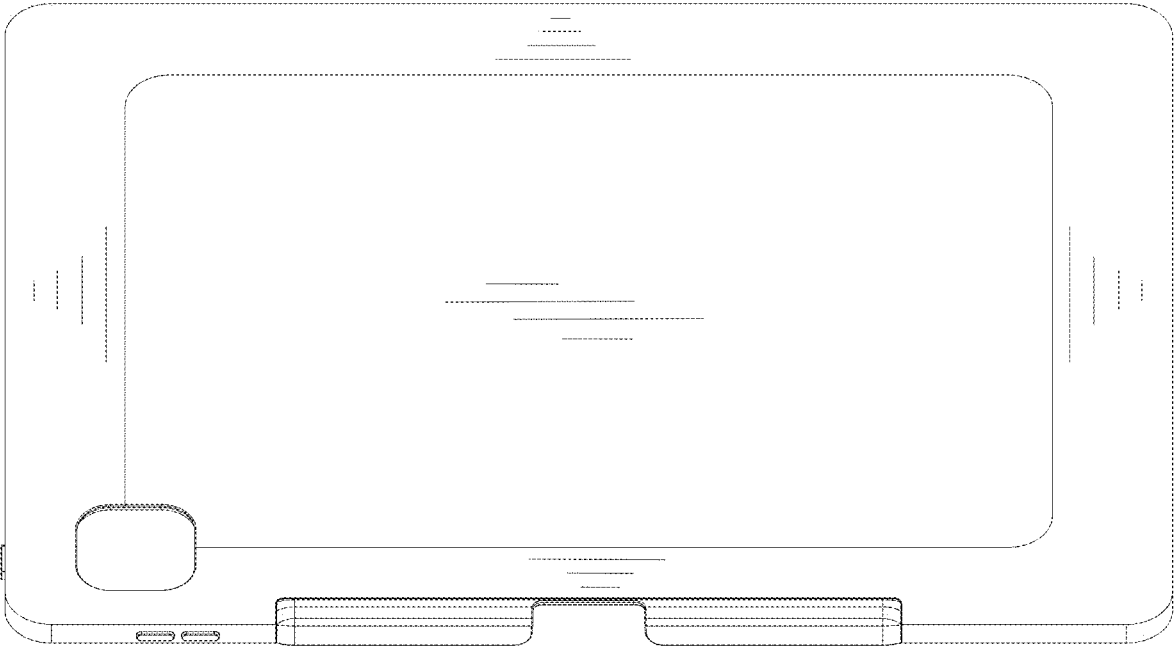


FIG. 7

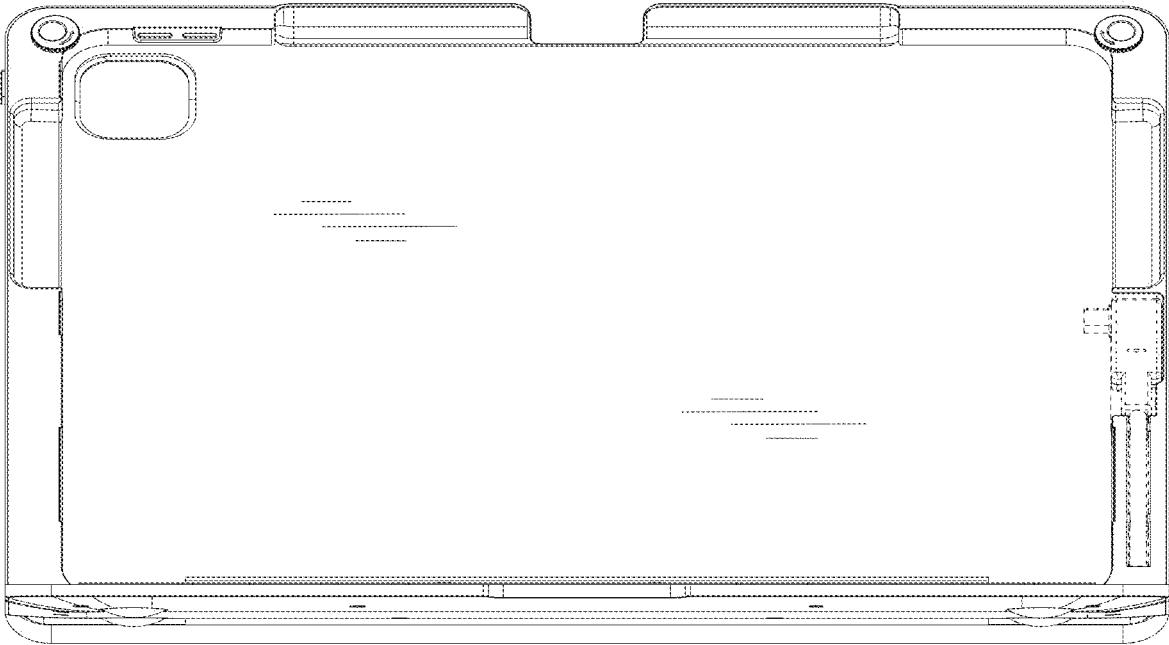


FIG. 8

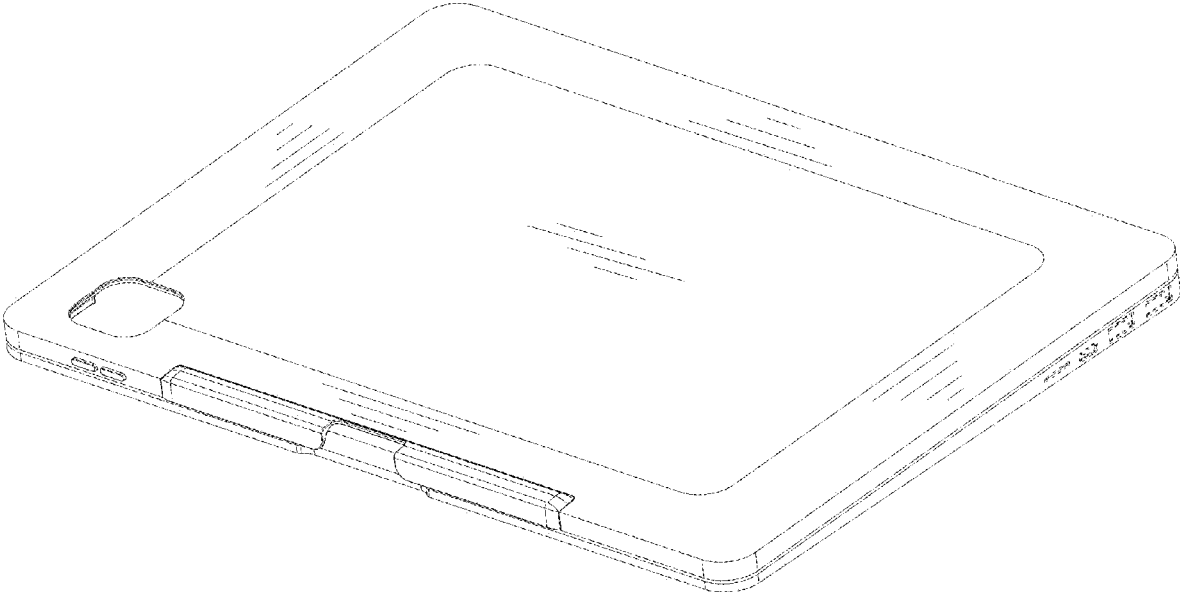


FIG. 9

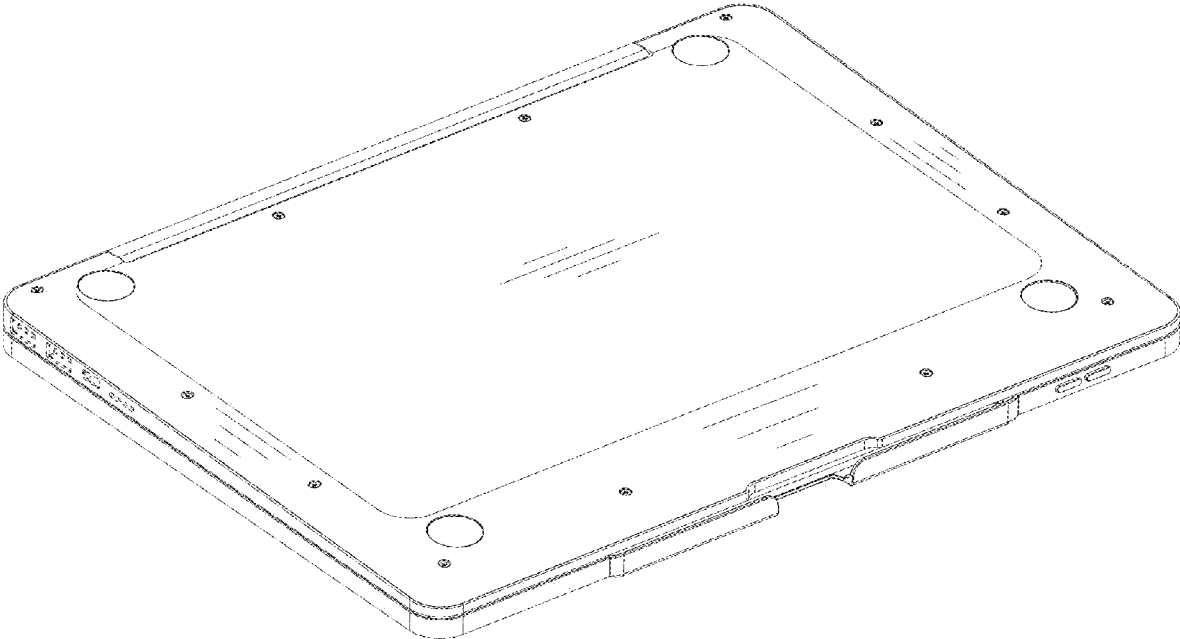


FIG. 10