



- (51) International Patent Classification:  
A61B 17/02 (2006.01) A61B 90/00 (2016.01)
- (21) International Application Number:  
PCT/US2018/012515
- (22) International Filing Date:  
05 January 2018 (05.01.2018)
- (25) Filing Language: English
- (26) Publication Language: English
- (30) Priority Data:  
62/449,650 24 January 2017 (24.01.2017) US
- (71) Applicant: MEDTRONIC ADVANCED ENERGY LLC  
[US/US]; 710 Medtronic Parkway, Minneapolis, Minnesota  
55432 (US).
- (72) Inventors: GREELEY, Roger D.; 71 Cliff Road,  
Portsmouth, New Hampshire 03801 (US). BARRY,  
Jonathan J.; 95A Portsmouth Avenue, Stratham, New  
Hampshire 03885 (US). HUBELBANK, David; 29 Chase  
Brook Circle, Litchfield, New Hampshire 03052 (US).  
KELLEY, Ryan; 3835 Utica St, Denver, Colorado 80212  
(US).

- (74) Agent: CZAJA, Timothy A. et al.; Dicke, Billig & Cza-  
ja, PLLC, 100 South Fifth Street, Suite 2250, Minneapolis,  
Minnesota 55402 (US).
- (81) Designated States (unless otherwise indicated, for every  
kind of national protection available): AE, AG, AL, AM,  
AO, AT, AU, AZ, BA, BB, BG, BH, BN, BR, BW, BY, BZ,  
CA, CH, CL, CN, CO, CR, CU, CZ, DE, DJ, DK, DM, DO,  
DZ, EC, EE, EG, ES, FI, GB, GD, GE, GH, GM, GT, HN,  
HR, HU, ID, IL, IN, IR, IS, JO, JP, KE, KG, KH, KN, KP,  
KR, KW, KZ, LA, LC, LK, LR, LS, LU, LY, MA, MD, ME,  
MG, MK, MN, MW, MX, MY, MZ, NA, NG, NI, NO, NZ,  
OM, PA, PE, PG, PH, PL, PT, QA, RO, RS, RU, RW, SA,  
SC, SD, SE, SG, SK, SL, SM, ST, SV, SY, TH, TJ, TM, TN,  
TR, TT, TZ, UA, UG, US, UZ, VC, VN, ZA, ZM, ZW.
- (84) Designated States (unless otherwise indicated, for every  
kind of regional protection available): ARIPO (BW, GH,  
GM, KE, LR, LS, MW, MZ, NA, RW, SD, SL, ST, SZ, TZ,  
UG, ZM, ZW), Eurasian (AM, AZ, BY, KG, KZ, RU, TJ,  
TM), European (AL, AT, BE, BG, CH, CY, CZ, DE, DK,  
EE, ES, FI, FR, GB, GR, HR, HU, IE, IS, IT, LT, LU, LV,  
MC, MK, MT, NL, NO, PL, PT, RO, RS, SE, SI, SK, SM,  
TR), OAPI (BF, BJ, CF, CG, CI, CM, GA, GN, GQ, GW,  
KM, ML, MR, NE, SN, TD, TG).

(54) Title: MODULAR LIGHTED SURGICAL RETRACTOR

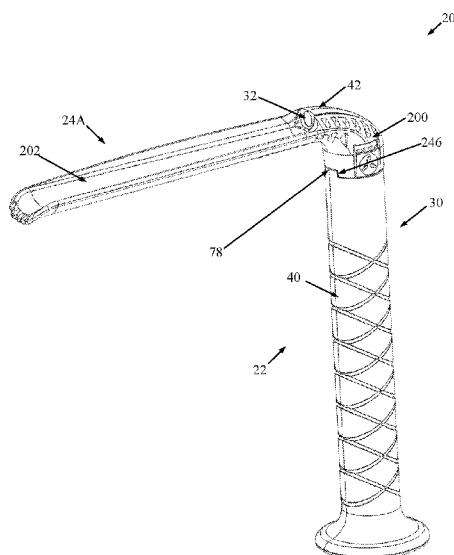


FIG. 1A

(57) Abstract: A modular surgical retractor including a handle and a blade. The handle includes a base and a neck. The neck projects from an end of the base to a tail region. The blade includes a head section and a blade member. The head section includes opposing side walls and a floor combining to define a slot sized to receive the neck. The blade member projects from the head section. The blade is removably attached to the handle. In an attached state, an attachment face of each side wall contacts the end of the base, and the floor contacts the tail region. In some embodiments, a light source, such as an LED, is disposed within the neck and arranged to emit light along a face of the blade member. Two or more additional blades are provided, each additional blade including the head section and a differently configured blade member.



**Declarations under Rule 4.17:**

- *as to applicant's entitlement to apply for and be granted a patent (Rule 4.17(ii))*

**Published:**

- *with international search report (Art. 21(3))*

## **MODULAR LIGHTED SURGICAL RETRACTOR**

### **Background**

- [01] The present disclosure relates to surgical tools. More particularly, it relates to hand held retractor instruments for use in surgical procedures, for example in retracting tissue, organs, etc.
- [02] With many surgical procedures, tissue at or leading to the intended surgical site must be retracted or moved, providing a clear and/or stabilized view of the operating field. Various hand held surgical tools (commonly referred to as a retractor) have been developed for accomplishing these purposes. Retractors generally include a handle and a blade. The blade extends from the handle at an approximately 90 degree angle, and is typically sized and shaped for a particular procedure (e.g., a longer and/or wider blade may be appropriate for retracting tissue deep inside a body of the patient, whereas a shorter and/or narrower blade may be more appropriate for retracting skin at an incision). So as to meet the needs of various surgical procedures, a surgical team normally must have a large number of differently-configured retractors available.
- [03] Although the retraction of tissue with a retractor can provide a more direct field of vision to the intended surgical site, additional illumination is oftentimes required. In some instances, the surgeon may use a separate light source such as a head-mounted light or other light source located in the surgical suite. More recently, lighted retractors have been suggested with which a fiber optic light guide is loaded to the retractor body itself. With this approach, light from the fiber optic light guide can be emitted more directly over and along a face of the blade, thus more directly illuminating the surgical site. While beneficial, fiber optic light guides are relatively expensive and may negatively affect a surgeon's ability to freely move his or her hands. Further, light may not be provided at a location desired by the user, and power requirement may be excessive.

### Summary

- [04] The inventors of the present disclosure recognized that a need exists for surgical retractors that overcome one or more of the above-mentioned problems.
- [05] Some aspects of the present disclosure are directed toward a modular surgical retractor including a handle and a blade. The handle includes a base and a neck. The base defines opposing, first and second ends. The neck projects from the first end of the base to a tail region. The blade includes a head section and a blade member. The head section includes a first side wall, an opposing second side wall, and a floor. The side walls and the floor combine to define a slot sized to receive the neck. The blade member projects from the head section. The handle and the blade are configured to provide an attached state in which the blade is removably attached to the handle. In the attached state, an attachment face of each of the side walls is in contact with the first end of the base, and the floor is in contact with the tail region. With this construction, the blade can be robustly attached to the handle in a manner providing an enhanced interface sufficient to maintain a structural integrity of the retractor when the blade member is subjected to expected tissue lifting or retraction forces. In some embodiments, the surgical retractor further includes a light source, such as an LED, disposed within the neck and arranged to emit light along a face of the blade member. In related embodiments, the surgical retractor further includes a lens configured and arranged to focus light from the LED at a desired location. In other related embodiments, the surgical retractor includes a power regulation circuit that provides power for an extended period of time using a small amount of power capacity (e.g., on the order of two hours of operation using two AA batteries). In other embodiments, the floor and an inside face of the neck form similarly-shaped curved regions that promote attachment of the blade to the handle via rotation. In yet other embodiments, two or more additional blades are provided, with each additional blade including the head section as described above along with a differently sized and/or shaped blade member.

**Brief Description of the Drawings**

- [06] FIG 1A is a perspective view of a modular surgical retractor in accordance with principles of the present disclosure including a blade attached to a handle assembly;
- [07] FIG. 1B is a perspective view of the modular surgical retractor of FIG. 1A and illustrating the blade removed from the handle assembly;
- [08] FIG. 2 is an exploded perspective of the handle assembly of FIG. 1A;
- [09] FIG. 3A is a side plan view of a handle of the handle assembly of FIG. 2;
- [10] FIG. 3B is an end plan view of the handle of FIG. 3A;
- [11] FIG. 3C is a top plan view of the handle of FIG. 3A;
- [12] FIG. 3D is a cross-sectional view of the handle of FIG. 3C, taken along the line 3D-3D;
- [13] FIG. 4A is an enlarged perspective view of a neck portion of the handle of FIG. 3A;
- [14] FIG. 4B is a side plan view of the neck of the handle of FIG. 4A;
- [15] FIG. 4C is a longitudinal cross-sectional view of the neck of the handle of FIG. 4A;
- [16] FIG. 5A is a front perspective view of a lens useful with the handle assembly of FIG. 2;
- [17] FIG. 5B is a rear perspective view of the lens of FIG. 5A;
- [18] FIG. 5C is a front plan view of the lens of FIG. 5A;
- [19] FIG. 5D is a cross-sectional view of the lens of FIG. 5C, taken along the line 5D-5D;

- [20] FIG. 6 is a circuit diagram of power delivery circuitry useful with the handle assembly of FIG. 2;
- [21] FIG. 7A is a longitudinal cross-sectional view of the handle assembly of FIG. 2 upon final assembly;
- [22] FIG. 7B is an enlarged cross-sectional view of a neck portion of the handle assembly of FIG. 7A;
- [23] FIG. 8A is an enlarged side plan view of a portion of the blade of FIG. 1B;
- [24] FIG. 8B is an enlarged top plan view of the portion of the blade of FIG. 8A;
- [25] FIG. 8C is an enlarged end plan view of the portion of the blade of FIG. 8A;
- [26] FIG. 9A is an enlarged cross-sectional view of the portion of the blade of FIG. 8B, taken along the line 9A-9A;
- [27] FIG. 9B is an enlarged bottom perspective view of the portion of the blade of FIG. 8A;
- [28] FIG. 10 is a longitudinal cross-sectional view of the blade of FIG. 1B;
- [29] FIG. 11A is a side view of a portion of the modular surgical retractor of FIG. 1A in an initial stage of attachment of the blade to the handle assembly;
- [30] FIG. 11B is a longitudinal cross-sectional view of the arrangement of FIG. 11A;
- [31] FIG. 12A is a side view of a portion of the modular surgical retractor of FIG. 1A in an intermediate stage of attachment of the blade to the handle assembly;
- [32] FIG. 12B is a longitudinal cross-sectional view of the arrangement of FIG. 12A;
- [33] FIG. 13A is a side view of a portion of the modular surgical retractor of FIG. 1A upon final attachment of the blade to the handle assembly;

- [34] FIG. 13B is a longitudinal cross-sectional view of the arrangement of FIG. 13A;
- [35] FIG. 13C is a cross-sectional view of a portion of the arrangement of FIG. 13A, taken along the line 13C-13C.
- [36] FIG. 14 is a perspective view of another blade useful with the modular surgical retractors of the present disclosure;
- [37] FIG. 15 is a perspective view of another blade useful with the modular surgical retractors of the present disclosure; and
- [38] FIG. 16 is a perspective view of another blade useful with the modular surgical retractors of the present disclosure.

#### **Detailed Description**

- [39] One embodiment of a modular surgical retractor 20 in accordance with principles of the present disclosure is shown in FIGS. 1A and 1B. The surgical retractor 20 includes a handle assembly 22 and at least one blade, such as a first blade 24A. Details on the various components are provided below. In general terms, the handle assembly 22 includes a handle 30 maintaining a light source assembly 32 (referenced generally in FIGS. 1A and 1B). The handle 30 and the blade 24A incorporate complementary mating features that facilitate selective, robust attachment of the blade 24A to the handle 30 in the attached state of FIG. 1A. The light source assembly 32 is arranged to emit light along the blade 24A in the attached state. The complementary mating features allow the blade 24A to be readily, manually removable from the handle 30 (as in FIG. 1B). Once removed, another, potentially differently-configured blade can be attached to the handle 30 as described below.
- [40] The handle 30 can assume various forms, and includes or defines a base 40 and a neck 42. The base 40 and the neck 42 can be integrally formed as a continuous, homogenous structure in some embodiments. Further, the handle 30 is configured to

maintain other components of the handle assembly 22. For example, and with reference to the exploded view of the handle assembly 22 in FIG. 2, in addition to the handle 30 and the light source assembly 32, the handle assembly 22 can include a power source 50 and a power delivery assembly 52. The handle 30 can be formed by first and second handle segments 54, 56 that are separately formed and, upon final assembly, collectively form the base 40 and the neck 42 (best identified in FIGS. 1A and 1B). Other constructions are also acceptable that may or may not include two or more components separately formed and subsequently assembled to complete the handle 30. Regardless, the base 40 can form or define a cavity 60 (referenced generally) within which the power source 50 and the power delivery assembly 52 are maintained, and the neck 42 can form or define a passage 62 within which the light source assembly 32 is maintained.

- [41] With reference to FIGS. 3A and 3B, the base 40 is generally configured for grasping or handling by an adult human hand, and can have the elongated, cylindrical-like shape as shown. Other shapes are also acceptable, and an exterior of the base 40 optionally includes texturing 64 (referenced generally) that promotes gripping of the base 40 by a user's hand. For example, a coating, sleeve, skin, etc., can be applied to an exterior of the base 40 (and the neck 42) that provides the texturing 64 or other grip-enhancing feature. Regardless, the elongated shape defines a longitudinal axis A, with the base 40 extending along the longitudinal axis A and terminating at opposing, first and second ends 70, 72. The neck 42 projects from the first end 70 as described in greater detail below. The second end 72 can have a variety of forms, and in some embodiments has an expanded outer dimension (e.g., diameter) as compared to a remainder of the base 40 serving as a platform for supporting the handle 30 in an upright positioned when placed on a flat surface.
- [42] With additional reference to FIG. 3C, the first end 70 can have a generally circular shape, with the neck 42 being centrally disposed within a shape of the first end 70. In some embodiments, a size and shape of the neck 42 (at least at a point of intersection

with the first end 70) are less than that of the first end 70, and the neck 42 is centrally located relative to the first end 70. With this construction, one or more shoulders, such as first and second shoulder segments 74, 76, are established along the first end 70. The shoulder segments 74, 76 are located at opposite sides of the neck 42 and in some embodiments are substantially flat (i.e., within 5% of a truly flat surface). A latch 78 can be formed as an outward projection from the first end 70 and that is aligned with the neck 42. A notch 80, 82 can be defined in each of the shoulder segments 74, 76, respectively. As shown in FIG. 3D, the base 40 forms a first interior ledge 84 adjacent the notch 80 in the first shoulder segment 74, and a second interior ledge 86 adjacent the notch 82 in the second segment 76. The shoulder segments 74, 76, the latch 78, the notches 80, 82, and the interior ledges 84, 86 are configured to interface with corresponding features of the blade 24A (FIGS. 1A and 1B) as described below.

- [43] The neck 42 is shown in greater detail in FIGS. 4A and 4B, and projects from the first end 70 of the base 40 to a tail region 90. The tail region 90 terminates at a tail end 92. As most clearly seen in FIG. 4A, the passage 62 is open to or at the tail end 92. A geometry of the neck 42 in extension from the first end 70 spatially off-sets the tail region 90, including the tail end 92, relative to the first end both longitudinally and transversely in some embodiments. In this regard, the longitudinal axis A is identified in FIGS. 4A and 4B, along with an X, Y, Z coordinate system. The longitudinal axis A corresponds with the X axis. The Y axis is orthogonal to the X axis, and the Z axis is orthogonal to the X and Y axes. With these conventions in mind, and as best reflected in FIG. 4B, projection of the neck 42 locates the tail region 90 and the tail end 92 to be off-set from the first end 70 along the X axis (longitudinal) and the Y axis (transverse) (e.g., the tail region 90 and the tail end 92 are “above” and “leftward” of the first end 70 relative to the orientation of FIG. 4B). Stated otherwise, the tail region 90 and the tail end 92 are off-set from the first end 70 in both a longitudinal direction that is otherwise parallel with the longitudinal axis A and in a transverse direction that is otherwise perpendicular to the longitudinal axis A.

- [44] The neck 42 can incorporate various shapes in establishing the above-described spatial relationship of the tail region 90 and the tail end 92 relative to the first end 70 of the base 40. In some embodiments, a shape of the neck 42 can be described as including or defining an inside face 100, an outside face 102, and opposing, first and second side faces 104, 106 (the second side face 106 is hidden in FIGS. 4A and 4B, and is generally identified in FIG. 3B). In some embodiments, at least a portion, for example a guide portion 110, of the inside face 100 is curved in extension from the base 40. A curvature established by the inside face 100 can be or include a concave curve relative to the longitudinal axis A. In some embodiments, a relatively uniform curvature or radius of curvature can be established along at least a majority of the guide portion 110. In other embodiments, the inside face 100 can have a complex or non-uniform curvature, can be curvilinear, or can be linear in extension from the base 40 to the tail region 90. Regardless, in some embodiments and as best reflected by FIG. 4B, the inside face 100 is substantially flat (i.e., within 5% of a truly flat surface) along the tail region 90. In related optional embodiments, a major plane P1 established by the inside face 100 along the tail region 90 is substantially parallel (i.e., within 5 degrees of a truly parallel relationship) with a major plane P2 of the shoulder segments 74, 76 for reasons made clear below.
- [45] The outside face 102 optionally has a curvature generally mimicking that of the inner face 100 to establish a streamlined shape, with the neck 42 generally tapering in the transverse direction (Y axis) in extension from the base 40. In some embodiments, the outside face 102 can project away from the inside face 100 along the tail region 90 in extension to the tail end 92; with this optional geometry, the passage 62 can be appropriately sized to receive the light source assembly 32 (FIG. 2).
- [46] The side faces 104, 106 can be substantially identical in some embodiments, and are optionally substantially planar or flat. As best shown in FIG. 4A, the notch 80 in the first shoulder segment 74 can extend into or be partially formed by the first side face

104. Though hidden in the views, the notch 82 in the second shoulder segment 76 can similarly extend into or be partially formed by the second side face 106.

[47] The passage 62 within the neck 42 is more clearly shown in FIG. 4C. The passage 62 is open to the tail end 92 and includes or provides a pocket region 120 sized and shaped for mounting of the light source assembly 32 (FIG. 2). For example, a flange 122 can be formed at a side of the pocket region 120 opposite the tail end 92. A distance between the flange 122 and the tail end 92 corresponds with a geometry of the light source assembly 32 such that the flange 122 provides a surface against which the light source assembly 32 can be mounted at a known location relative to the tail end 92. A channel 124 is defined through the flange 122 such that the passage 62 can be continuously open to the cavity 60 in the base 40. With this optional construction, wiring (not shown) or other electrical circuitry can be routed from the base 40 to the pocket region 120 (and thus to the light source assembly 32 mounted within the pocket region 120). In some embodiments, a curvature of the inside and outside faces 100, 102 in extension from the base 40 to the tail region 90, along with the optional non-parallel relationship of the inside and outside faces 100, 102 along the tail region 90, results in a centerline CL1 of the passage 62 along the pocket region 120 being non-perpendicular (and non-parallel) to a major plane P3 of the tail end 92. As described in greater detail below, the light source assembly 32 can be configured to accommodate this off-set arrangement while maintaining the streamlined shape of the neck 42.

[48] Returning to FIG. 2, the light source assembly 32 includes a light source 130 and an optional lens 132. The light source 130 can assume various forms, and in some embodiments includes one (or more) light emitting diodes (LEDs) 134 and corresponding circuitry (e.g., the LED 134 is attached to a circuit board 136).

[49] The lens 132 is configured for assembly to the light source 130 and to direct or affect emitted light. One embodiment of the lens 132 is shown in greater detail in FIGS. 5A-5D. The lens 132 can include or lens body 140, opposing tabs 142, 144, and one or

more fingers 146 projecting from a respective one of the tabs 142, 144. The lens body 140 can be a solid structure, formed of a material appropriate for allowing passage of light (e.g., a transparent, semi-transparent, or translucent material). The lens body 140 defines opposing, leading and trailing sides 150, 152. An aperture 154 is defined in the lens body 140 at the trailing side 152, sized and shaped to receive the LED 134 (FIG. 2). In some embodiments, the leading side 150 provides a structured or ridged surface 156 configured to focus and shape light. In other embodiments, the leading side 150 is substantially flat and does not include ridges or other light affecting structures. In some embodiments, the lens body 140 is shaped such that a major plane P4 established by the leading side 150 is non-perpendicular (and non-parallel) with a centerline CL2 of the lens body 140. This optional off-set relationship corresponds with a geometry of the neck 42 (FIG. 4C) as described above.

- [50]** The tabs 142, 144 project from opposite sides of the lens body 140, and are sized and shaped for mounting within and to the neck passage 62 (FIG. 4C). The fingers 146 project from the tabs 142, 144 in a direction of and beyond the trailing side 152 of the lens body 140, and also serve to provide robust mounting within the neck passage 62. Alternatively, the lens 132 can incorporate other mounting features that may or may not include one or more of the tabs 142, 144 and/or the fingers 146.
- [51]** Returning to FIG. 2, the power source 50 can assume various forms, and in some embodiments includes one or more batteries 160. The batteries 160 are selected in accordance with power requirements of the light source 130, and in some embodiments, the power source 50 consists of two, AA batteries 150 (e.g., 1.5 volt). Other power source formats are also acceptable. In yet other embodiments, the surgical retractors of the present disclosure need not incorporate a light source carried by the handle 30, and thus need not include the power source 50.
- [52]** The power delivery assembly 52 is formatted for delivering power from the power source 50 to the light source 130 in an appropriate manner. In some embodiments, the power delivery assembly 52 includes a driver 170 and an actuator or switch 172. The

driver 170 is electrically connected (e.g., via wiring 174) to the switch 172 that in turn is electrically connected to the power source 50. The driver 170 is further electrically connected to the light source 130 via wiring 176. As is known to those of ordinary skill, the actuator 172 can be a mechanical switch (e.g., spring-loaded) that when actuated, allows delivery of power from the power source 50 to the driver 170; subsequent actuation of the actuator 172 discontinues the delivery of power to the driver 170. A cap 178 is optionally assembled to the actuator 172 to promote user interface with the actuator 172.

- [53]** In some embodiments, the driver 170 is a constant current LED driver of a type known in the art. By way of one non-limiting example, the driver 170 can be a constant current LED driver available from Microchip Technology Inc. under the trade designation MCP1643. The corresponding circuit (e.g., wiring and other electrical components) can assume various forms appropriate for supplying power to the light source 130. One non-limiting example of a circuit used to drive an LED as the light source 130 is provided in FIG. 6. As a point of reference, the circuit diagram of FIG. 6 reflects that the driver 170 is connected to a positive side of the battery through a pushbutton switch (labeled as “VIN-1”), and directly to a negative side of the power source (labeled as “GND-1”). Further, the driver 170 is directly connected to the LED cathode at “K-1” and the LED anode at “A-1”. Other circuit designs are also acceptable.
- [54]** Returning to FIG. 2, the power delivery assembly 52 can optionally further include a circuit interrupter strip 180. Where provided, the interrupter strip 180 is slidably disposed between a terminal of the power source 50 and the power delivery circuitry. Prior to powering of the light source 130, the interrupter strip 180 is removed by the user, thereby completing the power delivery circuit. In other embodiments, the interrupter strip 180 can be omitted.
- [55]** Final construction of the handle assembly 22 is shown in FIG. 7A. The power source 50 is carried by and retained within the base 40. The driver 170, along with other

components of the power delivery assembly 52 (referenced generally) such as wiring (not shown) are also carried by and retained within the base 40. In this regard, the cap 178, and thus the actuator 172, is accessible at an opening in the second end 72. The interrupter strip 180, where provided, is located between a terminal of the power source 50 and a contact 182 (best seen in FIG. 2) of the power delivery assembly 52, and extends outwardly through a slot in the base 40. The interrupter strip 180 is thus accessible by a user; by pulling the interrupter strip 180 from the base 40, the power delivery circuit is complete, providing power from the power source 50 to the actuator 172, and thus the driver 170.

- [56] Mounting of the light source assembly 32 within the neck 42 is shown in greater detail in FIG. 7B. The light source 132 is assembled to the lens 130, including the LED 134 located within the lens body 140. With additional reference to FIG. 4C, the lens 130 and the light source 132 are mounted within the pocket region 120 in a fixed manner. For example, the light source assembly 52 can be press-fit into the pocket region 120 and/or one more attachment materials (e.g., adhesive) can be employed. Regardless, in some embodiments, at least the light source 132, and optionally the lens 130, is permanently attached to the handle 30 and is not removable therefrom by a user under normal conditions of use. The leading side 150 of the lens body 140 is aligned with, optionally flush to, the tail end 92. In some embodiments, the lens body 140 is arranged such that the major plane P4 of the leading side 150 is substantially parallel with (i.e., within 5 degrees of a truly parallel relationship) the major plane P3 of the tail end 92; in related embodiments, the major planes P3, P4 are substantially co-planar (i.e., within 5 degrees of a truly co-planar relationship). With this optional construction, the substantially co-planar major planes P3, P4 can be substantially perpendicular (i.e., within 5 degrees of a truly perpendicular relationship) to one or both of the major plane P1 of the inside face 100 along the tail region 90 and the major plane P2 of the shoulder segments 74, 76 (it being understood that the shoulder segments 74, 76 are not readily evident in the cross-sectional view of FIG. 7B but are shown, for example, in FIGS. 4A and 4B).

- [57] Returning to FIGS. 1A and 1B, the first blade 24A includes or defines a head section 200 and a blade member 202. In general terms, the head section 200 is configured for removable attachment to the handle 30. The blade member 202 extends from the head section 200 and can assume various forms appropriate for certain surgical retraction procedures.
- [58] The head section 200 is shown in greater detail in FIGS. 8A-8C, and generally includes or defines a head body 210 and one or more clip assemblies, such as first and second clip assemblies 212, 214. The head body 210 can be an integral or homogenous structure extending between or defining a first or blade face 216 and a second or attachment face 218. The head body 210 further defines a slot 220 extending between and open to the blade and attachment faces 216, 218. As best reflected by the top view of FIG. 8B and the end view of FIG. 8C, the slot 220 can be viewed as being defined bounded by a floor 230, a first side wall 232 and an opposing, second side wall 234. As best shown in FIG. 9A, the floor 230 defines a shape or curvature that corresponds with the shape and curvature of the inside face 100 (FIG. 4B) of the neck 42 (FIG. 4B) as described above. Thus, the floor 230 can include or define a convex curved segment 236 that has substantially identical (i.e., within 5% of a truly identical relationship) geometry as the guide portion 110 (FIG. 4B). Further, the floor 230 includes or defines a contact segment 238 at or adjacent the blade face 216 that is substantially flat (i.e., within 5% of a truly flat surface) for reasons made clear below.
- [59] With continued reference to FIGS. 8A-9A, the side walls 232, 234 can be viewed as continuously extending between the blade and attachment faces 216, 218, each define an exterior shape or geometry mimicking that of the outside face 102 (FIG. 4B) of the neck 42 (FIG. 4B) as described above. Other constructions or shapes are also envisioned, and the side walls 232, 234 need not be identical.
- [60] The attachment face 218 can be substantially flat or planar (i.e., within 5 degrees of a truly flat surface) in some embodiments as generally reflected by the figures. The perspective view of FIG. 9B illustrates that the attachment face 218 can be viewed as

being formed or defined by first and second face segments 240, 242. The first face segment 240 corresponds with the first side wall 232 and the second face segment 242 corresponds with the second side wall 234. As a point of reference, the floor 230 is partially visible in the view of FIG. 9B. The face segments 240, 242 collectively define the attachment face 218 and are substantially flat and co-planar. FIG. 9B further reflects that the head body 210 can further include or define a collar 244 collectively defined by or interconnecting the floor 230 and the side walls 232, 234 apart from the attachment face 218. In some embodiments, a recess 246 can be defined through a partial thickness of the collar 244 for reasons made clear below.

**[61]** The first clip assembly 212 is generally associated or aligned with the first side wall 232, and the second clip assembly 214 is generally associated with the second side wall 234. The clip assemblies 212, 214 can be identical in some embodiments, such that the following description of the first clip assembly 212 applies equally to the second clip assembly 214. The first clip assembly 212 includes a clip 270 and an optional guide member 272. The clip 270 and the guide member 272 each project from the attachment face 218 (e.g., the first face segment 240) in a laterally spaced apart arrangement. The clip 270 can be provided as part of or connected to a tab 274. The tab 274 is pivotably connected to a remainder of the head body 210 (e.g., relative to a remainder of the first side wall 232), for example at a living hinge 276, and is biased to the spatial arrangement shown. With this construction, the clip 270 can be articulated inwardly (i.e., in a direction toward the guide member 272) in response to an inward or pressing force applied to the tab 274, when the clip 270 is subjected to an inward force, etc. Upon removal of the force, the tab 274 self-reverts back to the arrangement of FIG. 9B, locating the clip 270 relative to the guide member 272 as shown. The guide member 272, where provided is more rigidly secured to the first side wall 232. As described below, the clip assemblies 212, 214 are configured to effectuate releasable engagement with the handle 30 (FIG. 2). Other attachment formats are also acceptable that may or may not include one or both of the clip assemblies 212, 214.

- [62] Returning to FIG. 1B, the blade member 202 extends from the head section 202 to a leading edge 280. The blade member 202 can have a various shapes and sizes. In some embodiments, a shape of the blade member 202 can be viewed as defining opposing, interior and exterior surfaces 282, 284. The surfaces 282, 284 can have the uniform, curved shape as shown, or a number of other shapes that can be regular or irregular between the head section 202 and the leading edge 280. As further shown in FIG. 10, relative to a cross-sectional plane passing through a centerline of the blade member 202, the interior surface 282 is longitudinally off-set from the contact segment 238 of the floor 230 (e.g., the interior surface 282 is “below” the contact segment 238 relative to the orientation of FIG. 10). Geometry of the interior surface 282 relative to the contact segment 238 corresponds with geometry of the handle assembly 22 (FIG. 2) so as to promote desired light disperment as described below. Further, a major plane M1 established by the exterior surface 284 (again, relative to the cross-sectional view of FIG. 10) can be substantially parallel (i.e., within 5 degrees of a truly parallel relationship) with one or both of a major plane M2 established by the attachment face 218 and a major plane M3 established by the contact segment 238 in some embodiments.
- [63] The blade 24A can be manually attached to the handle 30 in a simple and straightforward manner. As shown in FIGS. 11A and 11B, the blade 24A is initially spatially arranged relative to the handle assembly 22 such that the slot 220 (referenced generally in FIG. 11B, more clearly shown, for example, in FIG. 1B) is generally aligned with neck 42. Further, the blade 24A is generally spatially rotated relative to the handle 30 as shown such that clip assemblies 212, 214 “clear” the first end 70 of the base 40 as the head section 200 is subsequently directed toward the neck 42 in a direction indicated by an arrow in FIGS. 11A and 11B.
- [64] Directing of the head section 200 onto the neck 42 is shown in FIGS. 12A and 12B. The neck 42 is generally located within the slot 220, with the floor 230 contacting the inside face 100 (best seen in FIG. 12B). In this intermediate stage of attachment, the

clip assemblies 212, 214 (one of which is visible in FIG. 12A) are spaced from the first end 70 of the base 40, and are away from the corresponding notch 80, 82 (one of which is partially visible in FIG. 12A).

- [65] The blade 24A is then rotated relative to the handle 30 (and/or vice-versa), sliding and pivoting along the contacting interface between the floor 230 and the inside face 100 of the neck 42. The matching geometry of the floor 230 and the inside face 100 promotes the clip assemblies 212, 214 becoming aligned with the corresponding notch 80, 82. Further, the attachment surface 218 of the blade 24A is brought into contact with the shoulder segments 74, 76 (one of which is visible in FIG. 12A) of the handle 30. Contact between the attachment surface 218 and the shoulder segments 74, 76 serves as a stop to further rotation. Optionally, a stop to further rotation is also provided by contact between substantially flat contact segment 238 of the floor 230 and the substantially flat inside face 100 along the tail region 90.
- [66] Final attachment between the blade 24A and the handle 30 is reflected by FIGS. 13A-13C. The attachment surface 218 contacts or abuts against the shoulder segments 74, 76, optionally with a flush interface. Similarly, the inside face 100 along the tail region 90 contacts or abuts against the contact segment 238 of the floor 230. As best shown in FIG. 13C, the clips 270 are received within a corresponding one of the notches 80, 82, and engage with a corresponding one of the interior ledges 84, 86. Finally, the latch 78 nests within the recess 246 (more clearly visible in FIG. 1A).
- [67] With continued reference to FIGS. 13A and 13B, once the blade 24A has been attached to the handle 30, the surgical retractor 20 can be utilized by a practitioner to perform various surgical retraction procedures as desired. The base 40 is appropriately sized for convenient handling by a single hand of the user. The blade member 202 extends at an approximately 90 degree angle relative to the base 40, and is thus conducive to many expected surgical retraction procedures performed by a user while grasping the base 40. With many surgical retraction procedures, the surgical retractor 20 will be employed to lift and/or push tissue. In many instances, a surgical retraction procedure

includes locating the exterior surface 284 of the blade member 202 against tissue to be retracted, followed by the user applying a pulling force on to the handle 30 so as to retract the contacted tissue. The contacted tissue naturally resists the retraction force, effectively generates a tissue force  $F$  against the blade member 202 in response to the user-applied pulling force on the handle 30. The force  $F$ , in turn, creates a moment of the matched radius section of the blade 24A and the handle 30 in the same direction (e.g., at the interface between the neck inside face 100 and the floor 230). Under load, the blade 24A is held in a position normal to the handle 30 by contact between the attachment surface 218 of the blade 24A with the shoulder segments 74, 76 of the handle 30, and by contact between contact segment 238 of the floor 230 of the blade 24A with the inside face 100 of the handle 30 along the tail region 90. The tissue force  $F$  is thus dispersed through these contact areas and into the handle 30, creating a strong interface that facilitates use of the surgical retractor 20 in performing tissue retraction procedures requiring high tissue lifting forces.

- [68] Where desired, the light source 130 can be powered on as described above (e.g., via operation of the power delivery assembly 52 (FIG. 2)). As generally reflected by FIG. 13B, the lens body 140 directs light from the light source 132 along or in general alignment with the interior surface 282 of the blade member 202 (emitted light  $L$  is generally drawn in FIG. 13B).
- [69] Following use of the surgical retractor 20, the blade 24A can be removed from the handle 30. In this regard, and with reference to FIG. 13C, the tabs 274 are pressed inwardly, causing the corresponding clip 270 to disengage from the respective interior ledge 84, 86. The blade 24A can then be rotated relative to the handle 30 (and/or vice-versa) in a reverse manner to the attachment steps described above, thereby freeing the blade 24A from the handle 30.
- [70] The blade 24A described above is but one example of a blade useful with the modular surgical retractors of the present disclosure. For example, another blade 24B useful with the modular surgical retractors of the present disclosure is shown in FIG. 14 and

includes the head section 200 as described above and a blade member 300. A size and shape of the blade member 300 differs from that of the blade member 202 (FIG. 1B). However, by including the head section 200, the blade 24B is readily attached to and removed from the handle 30 (FIG. 1B) commensurate with the descriptions above. Similarly, another optional blade 24C in accordance with principles of the present disclosure is shown in FIG. 15 and includes the head section 200 and a blade member 310. FIG. 16 illustrates yet another optional blade 24D in accordance with principles of the present disclosure that includes the head section 200 and a blade member 320. In some embodiments, two or more or all of the blades 24A, 24B, 24C, 24D (and/or other blades that include the head section 200 and a differently-shaped blade member) can be provided to a clinician along with the handle assembly 22 (FIG. 1B) as part of a kit. Depending upon the particular surgical retraction procedure to be performed, the user can select the desired the blade, attach the selected blade to the handle assembly 22, and perform the procedure.

- [71] The modular surgical retractors of the present disclosure provide a marked improvement over previous designs. A variety of different blades are readily attached to and removed from an ergonomic handle, with a strong, robust interface being established between the blade and the handle when attached. Further, a light source is carried by the handle, located to emit light along an attached blade in a manner conducive to desired illumination of the surgical field.
- [72] Although the present disclosure has been described with reference to preferred embodiments, workers skilled in the art will recognize that changes can be made in form and detail without departing from the spirit and scope of the present disclosure. For example, while the modular surgical retractors have been described as including a light source carried by the handle, in other embodiments the modular surgical retractors of the present disclosure need not include a light source.

**What is claimed is:**

1. A modular surgical retractor comprising:  
a handle including:  
a base defining opposing, first and second ends,  
a neck projecting from the first end to a tail region; and  
a first blade including:  
a head section including a first side wall, an opposing second side wall  
and a floor combining to define a slot sized to receive the neck,  
a blade member projecting from the head section;  
wherein the handle and the first blade are configured to provide an attached state in which the first blade is removably attached to the handle, the attached state including an attachment face of each of the side walls in contact with the first end and the floor in contact with the tail region.
2. The modular surgical retractor of claim 1, wherein the retractor is configured such that in the assembled state, interface between the side walls and the first end and between the floor and the tail region resists a force applied to the blade member normal to a major plane of the blade member.
3. The modular surgical retractor of claims 1 or 2, wherein the first end defines first and second shoulder segments at opposite sides of the neck, and further wherein the attached state include the attachment face of the first side wall in contact with the first shoulder segment and the attachment face of the second side wall in contact with the second shoulder segment.
4. The modular surgical retractor of any of claims 1-3, wherein the base forms a first notch in the first end.

5. The modular surgical retractor of claim 4, wherein the head section further includes a first clip projecting from the attachment face of the first side wall, and further wherein the attached state includes the first clip nested within the first notch.

6. The modular surgical retractor of claim 5, wherein the base forms a second notch in the first end, the first and second notches being located at opposite sides of the neck, and further wherein the head section further includes a second clip projecting from the attachment face of the second side wall, and even further wherein the attached state includes the second clip nesting within the second notch.

7. The modular surgical retractor of any of claims 1-6, wherein the base has an elongated shape defining a longitudinal axis, and further wherein the tail region is offset from the first end in both a longitudinal direction parallel with the longitudinal axis and a transverse direction perpendicular to the longitudinal axis.

8. The modular surgical retractor of any of claims 1-7, wherein the neck defines an inside face, an outside face opposite the inside face, and opposing side faces, and further wherein the attached state includes at least a portion of the inside face in contact with the floor

9. The modular surgical retractor of claim 8, wherein at least a segment of the inside face is curved in extension from the first end to the tail region.

10. The modular surgical retractor of claim 9, wherein the floor defines a curvature substantially identical to a curvature of the inside face.

11. The modular surgical retractor of claim 9, wherein the inside face is substantially flat along the tail region, and further wherein the floor includes a

substantially flat segment, and even further wherein the attached state includes the inside face of the tail region in contact with the substantially flat segment of the floor.

12. The modular surgical retractor of any of claims 1-11, further comprising:  
a light source disposed within the neck.
13. The modular surgical retractor of claim 12, wherein the light source is fixed to the neck.
14. The modular surgical retractor of claims 12 or 13, wherein the attached state includes light emitted from the light source being directed onto a face of the blade member.
15. The modular surgical retractor of any of claims 12-14, further comprising a lens disposed between light source and an open end of the tail region.
16. The modular surgical retractor of any of claims 12-15, wherein the light source is an LED.
17. The modular surgical retractor of any of claims 12-16, further comprising a power source disposed within the base.
18. The modular surgical retractor of claim 17, wherein the power source includes at least two batteries.
19. The modular surgical retractor of claims 17 or 18, further comprising circuitry disposed within the base and configured to selectively electrically connect the power source with the light source.

20. The modular surgical retractor of any of claims 1-19, further comprising:  
a second blade including:  
    a head section,  
    a blade member projecting from the head section;  
wherein the blade member of the second blade differs from the blade member  
    of the first blade by at least one parameter selected from the group  
    consisting of size and shape;  
and further wherein the head section of the second blade and the head section  
    of the first blade are identical.



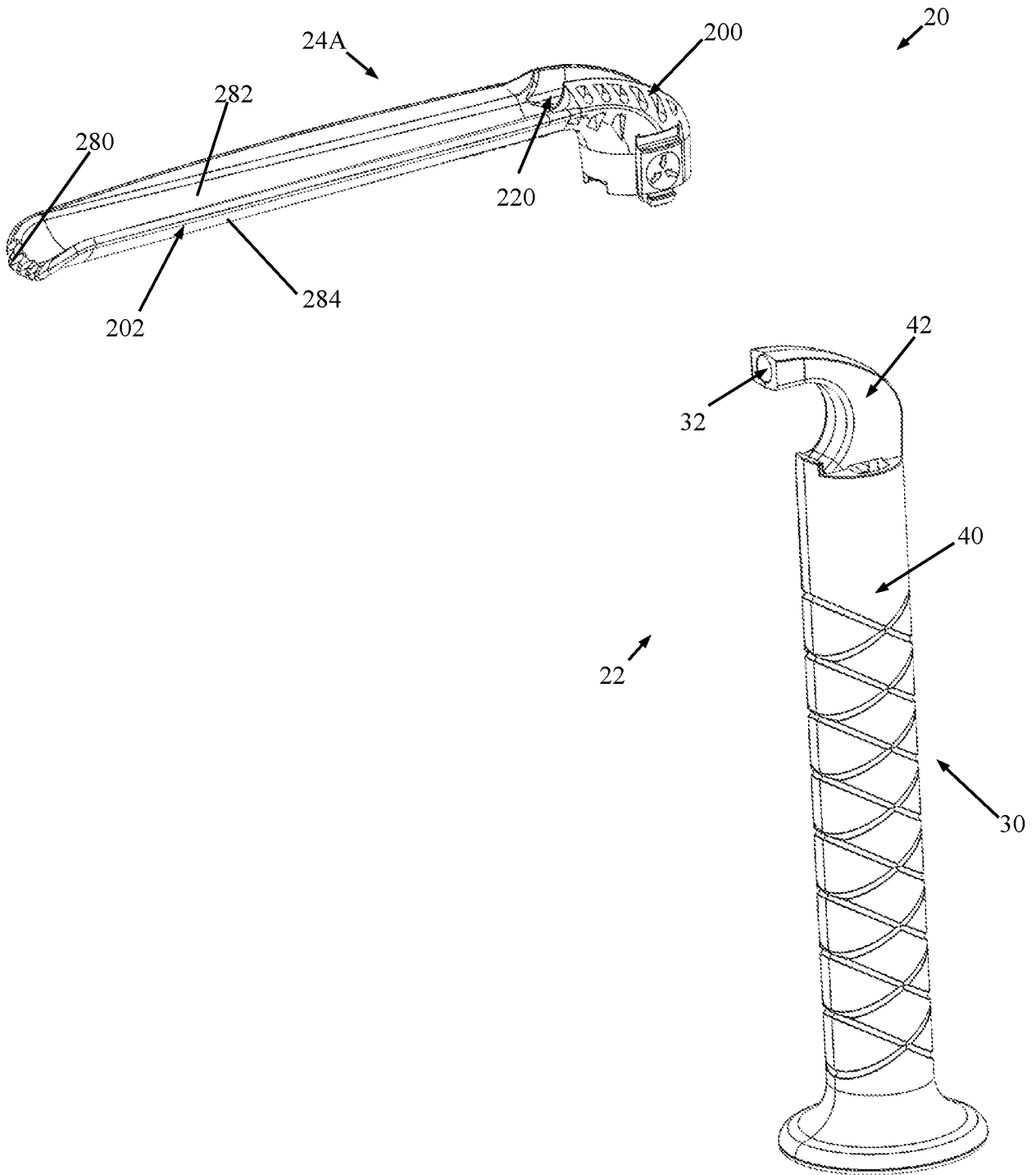


FIG. 1B

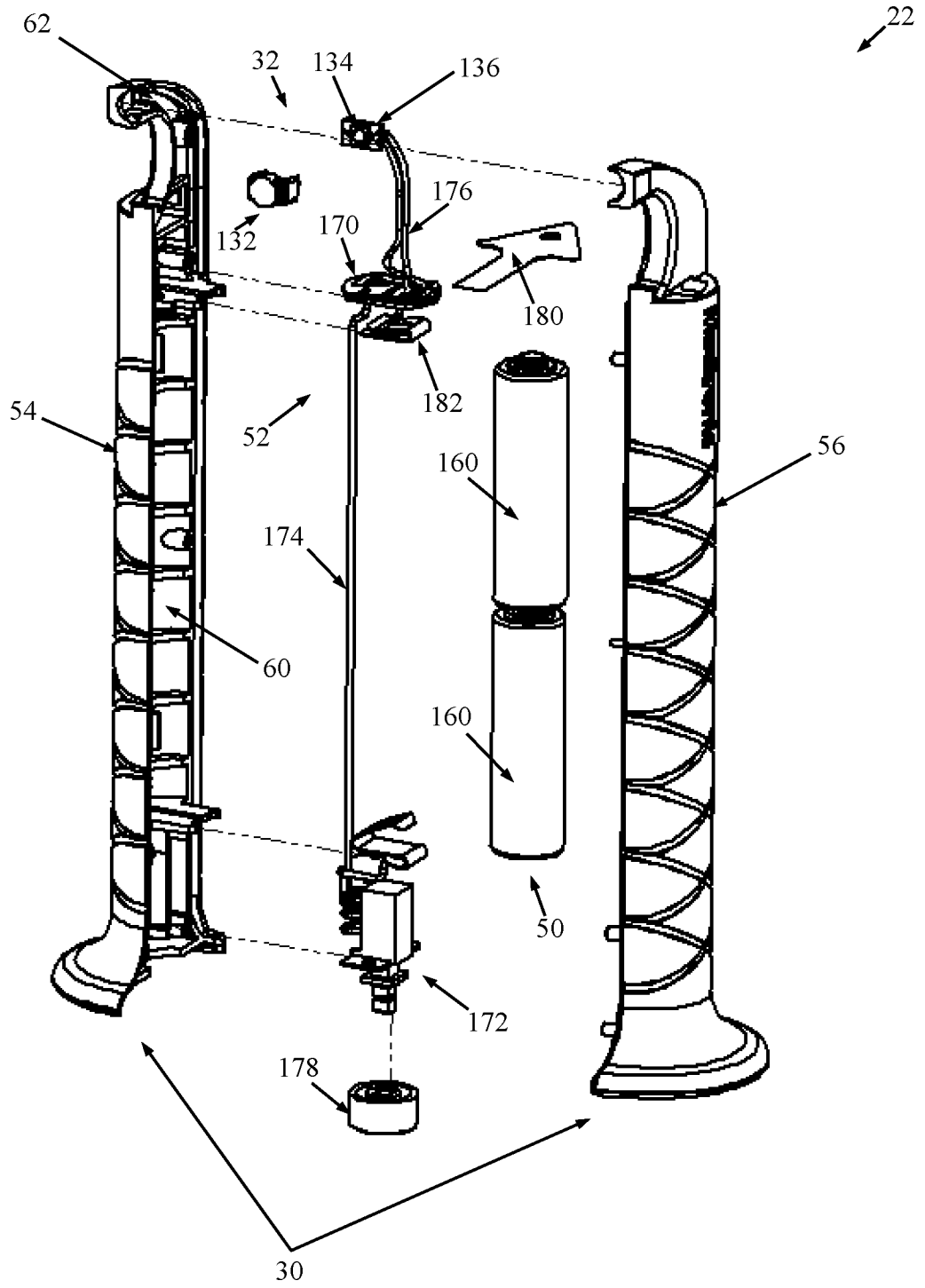


FIG. 2

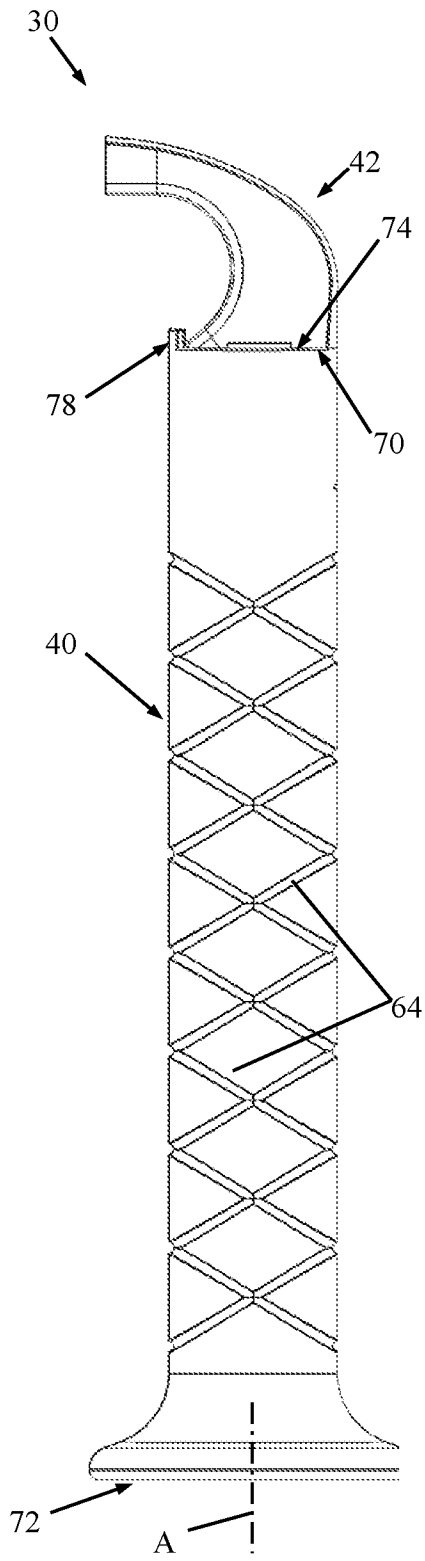


FIG. 3A

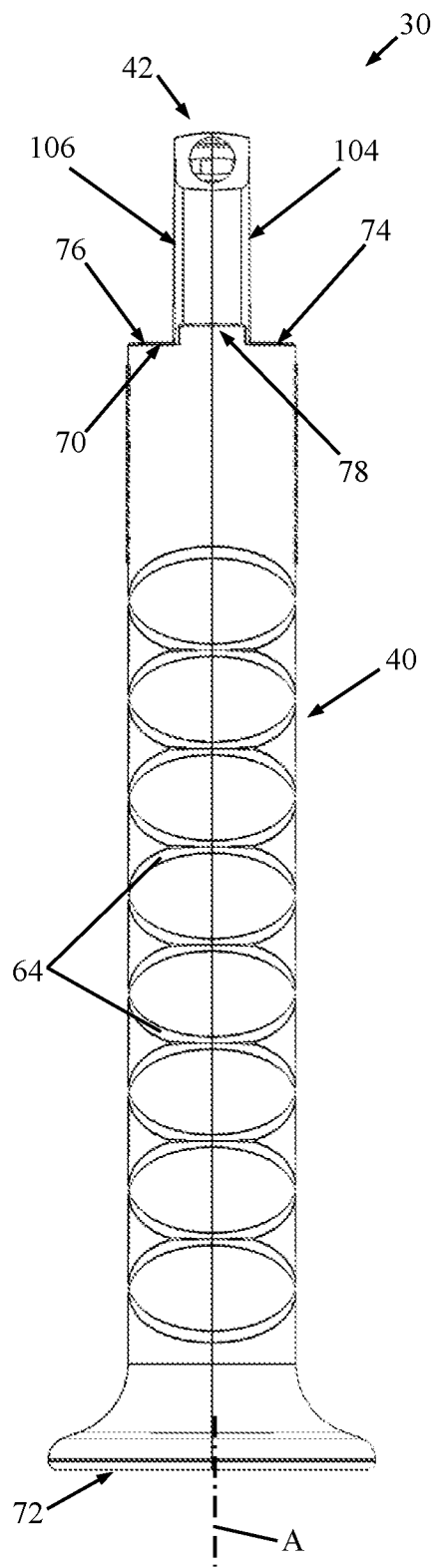


FIG. 3B

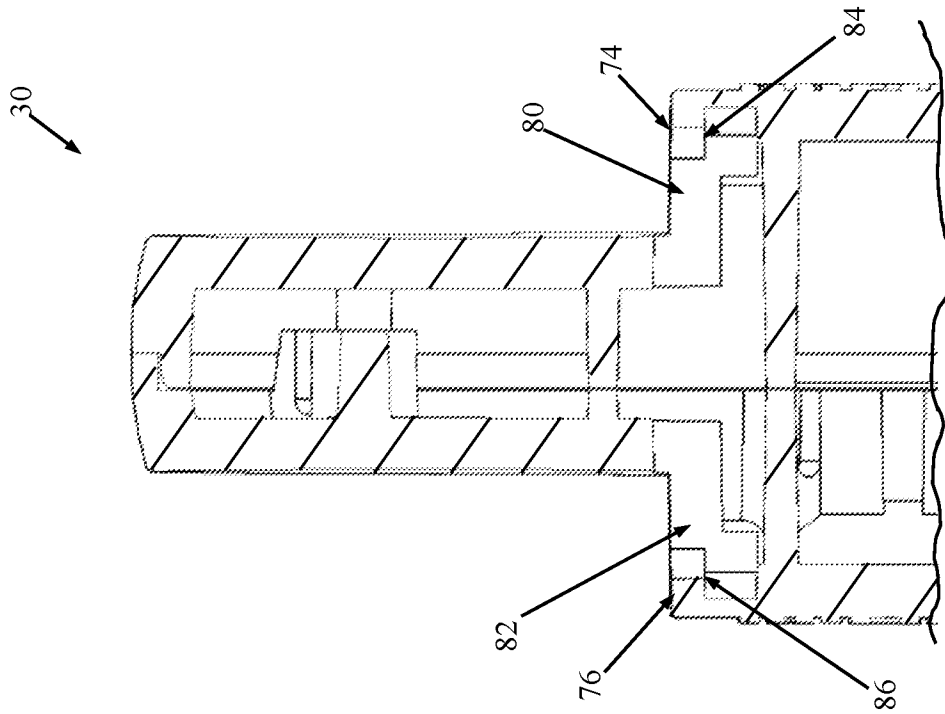


FIG. 3D

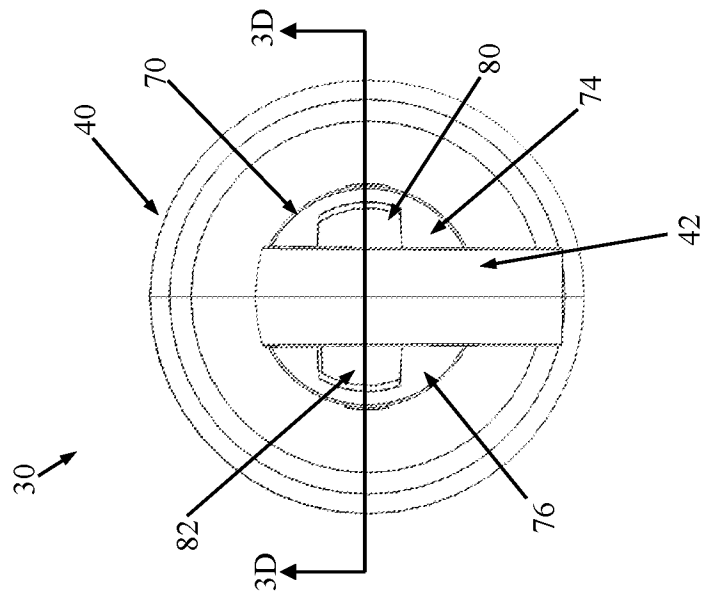


FIG. 3C

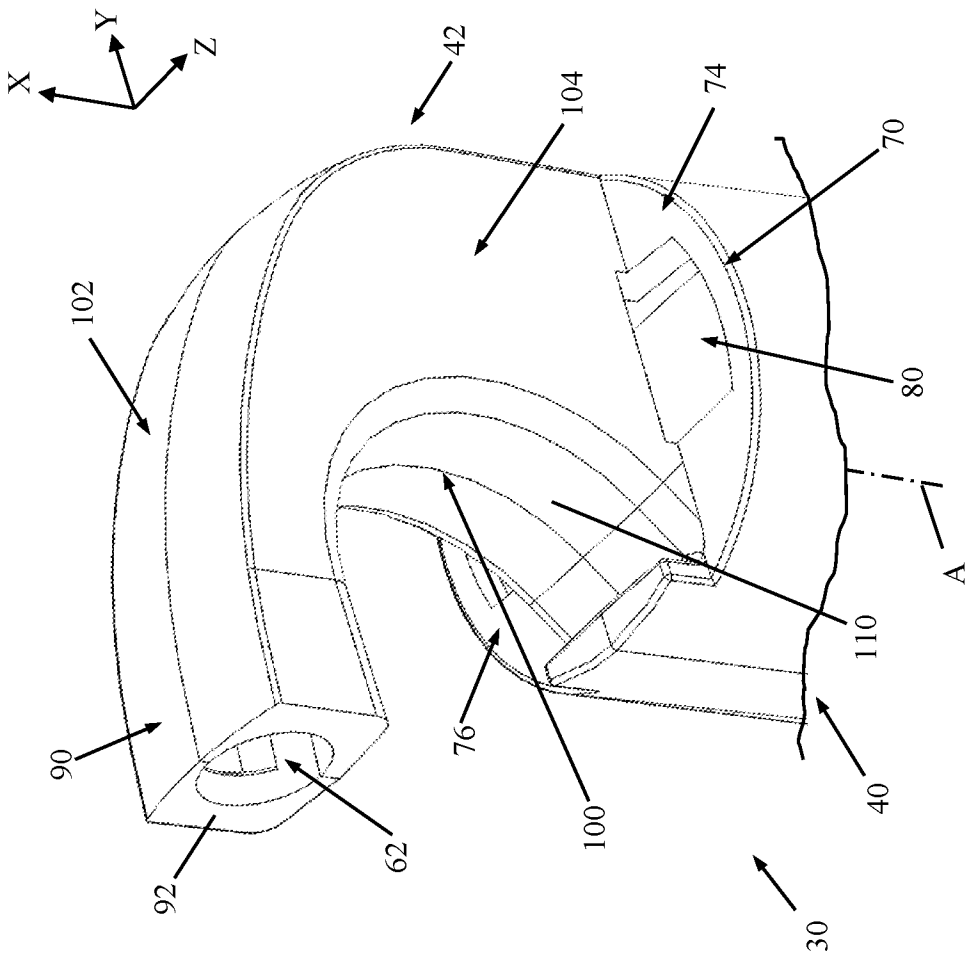


FIG. 4A

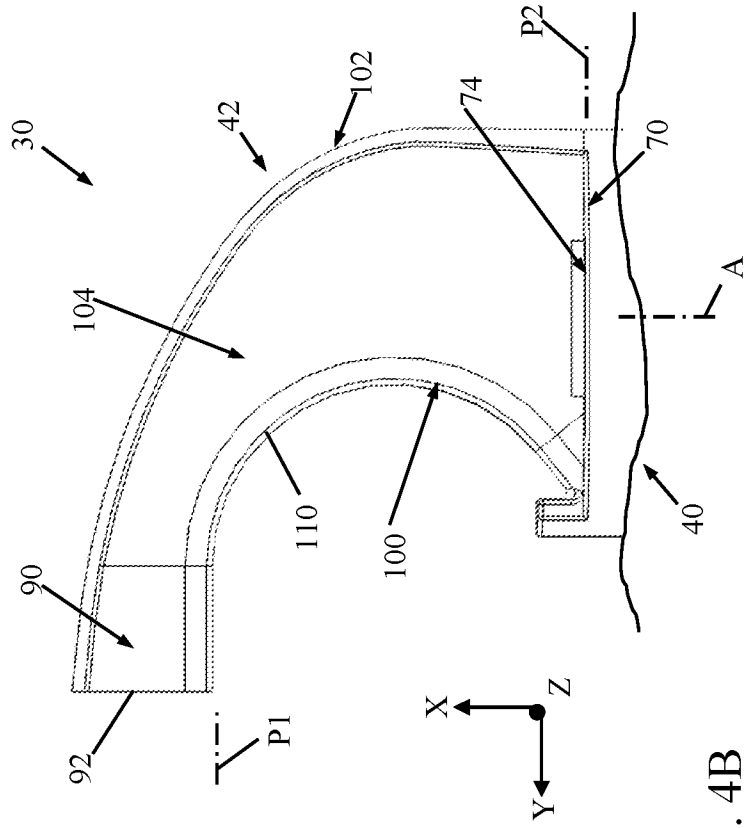


FIG. 4B

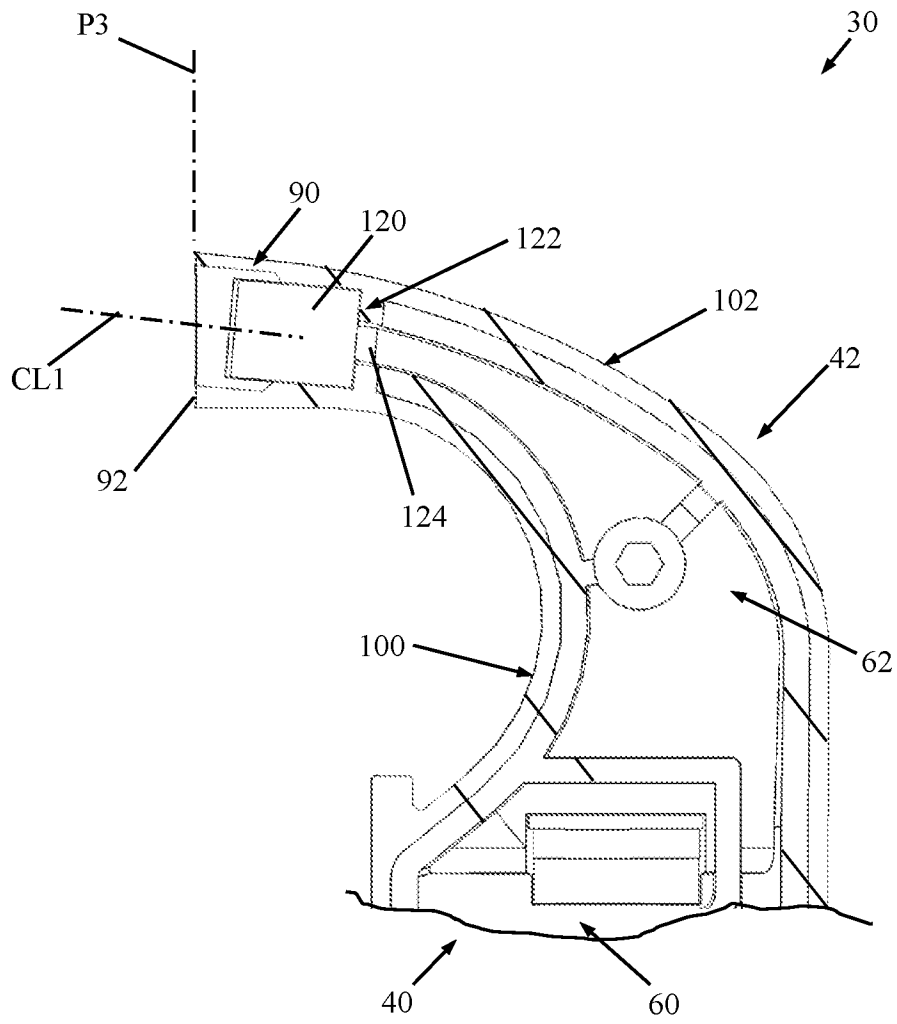


FIG. 4C

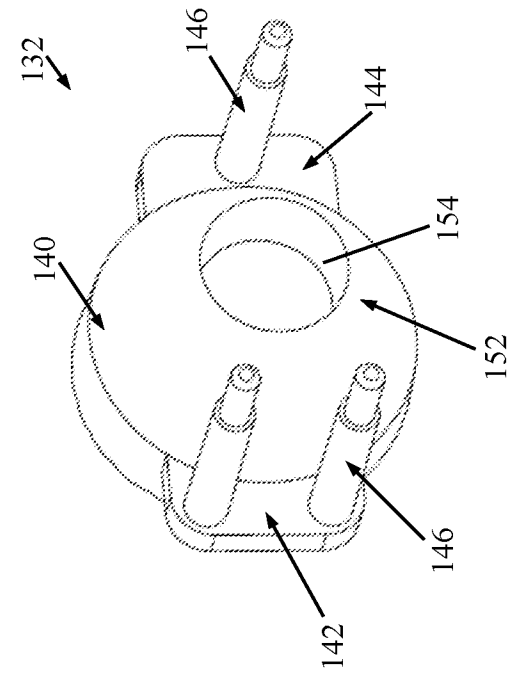


FIG. 5B

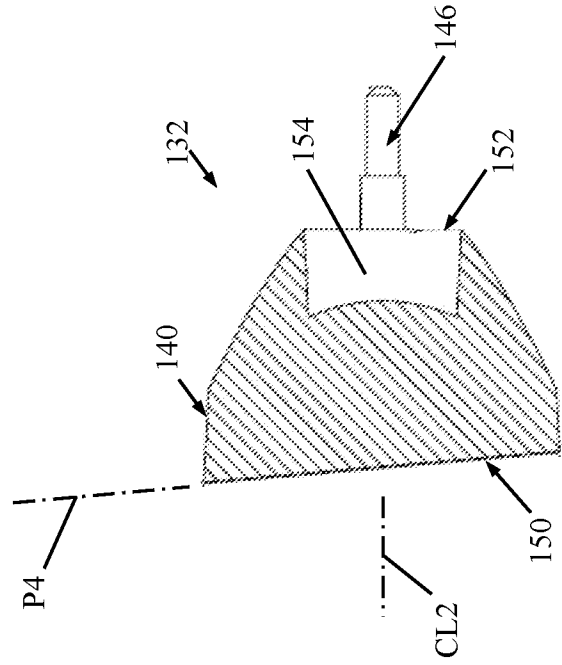


FIG. 5D

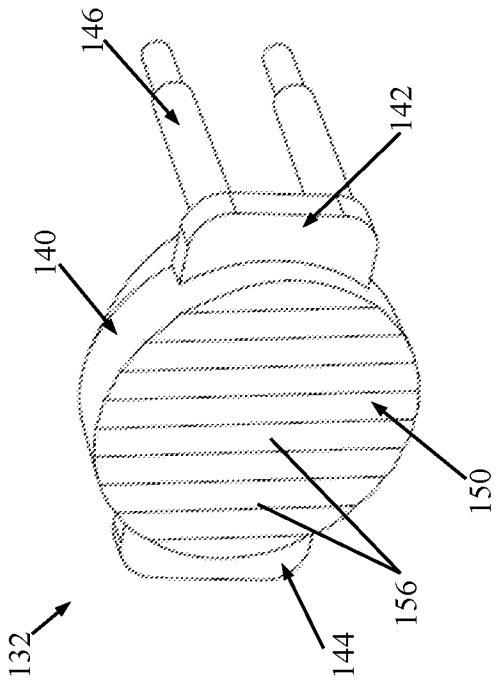


FIG. 5A

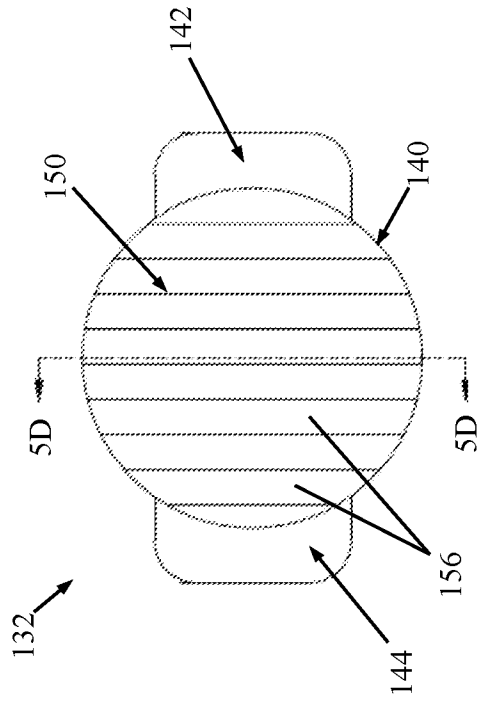


FIG. 5C



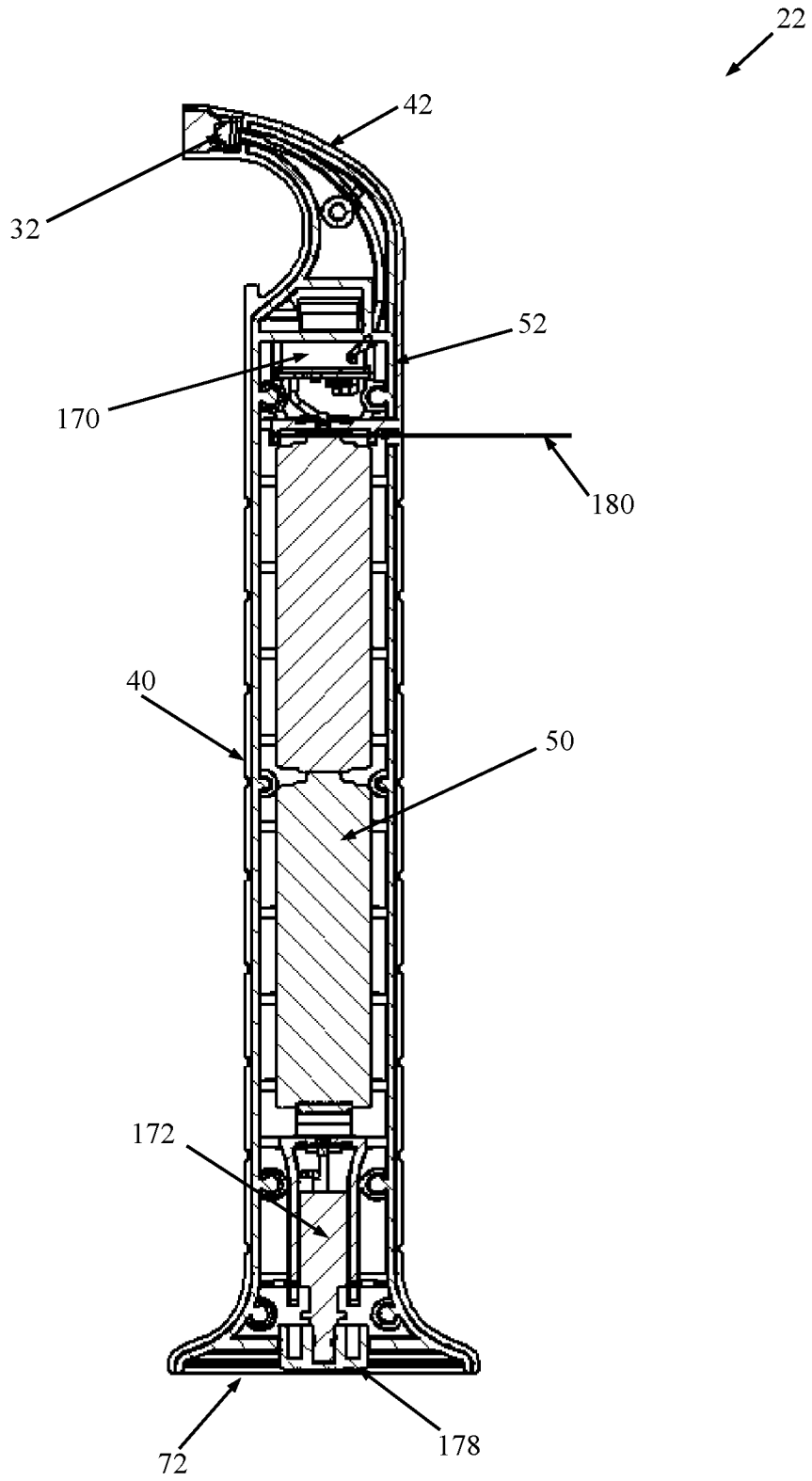


FIG. 7A

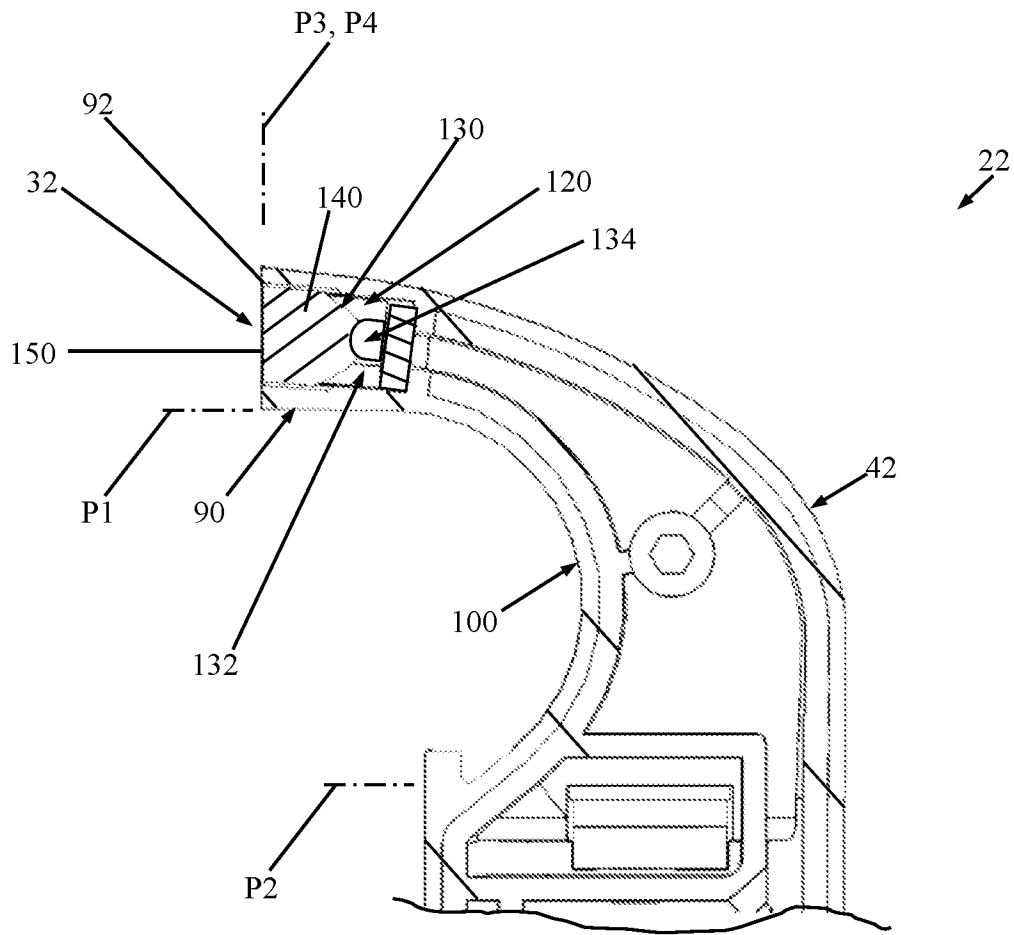


FIG. 7B

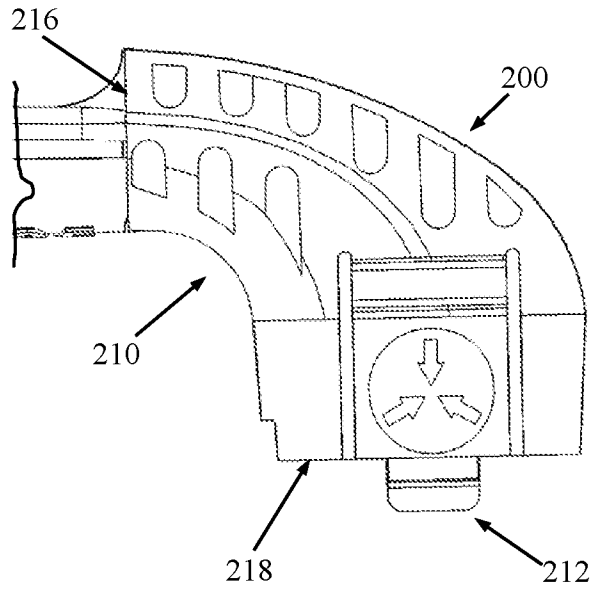


FIG. 8A

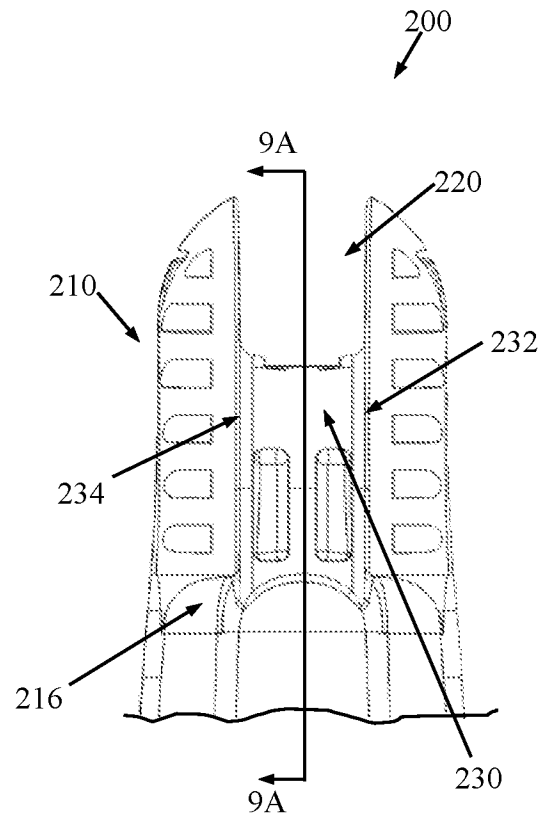


FIG. 8B

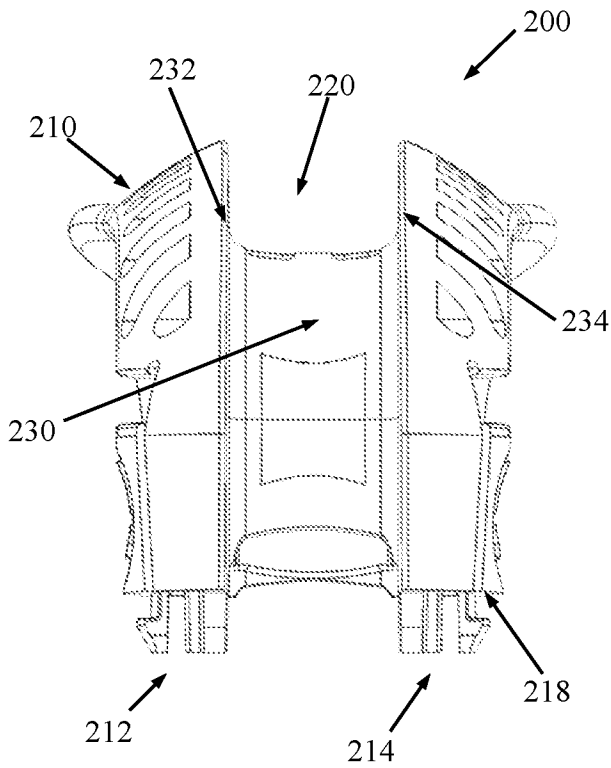


FIG. 8C

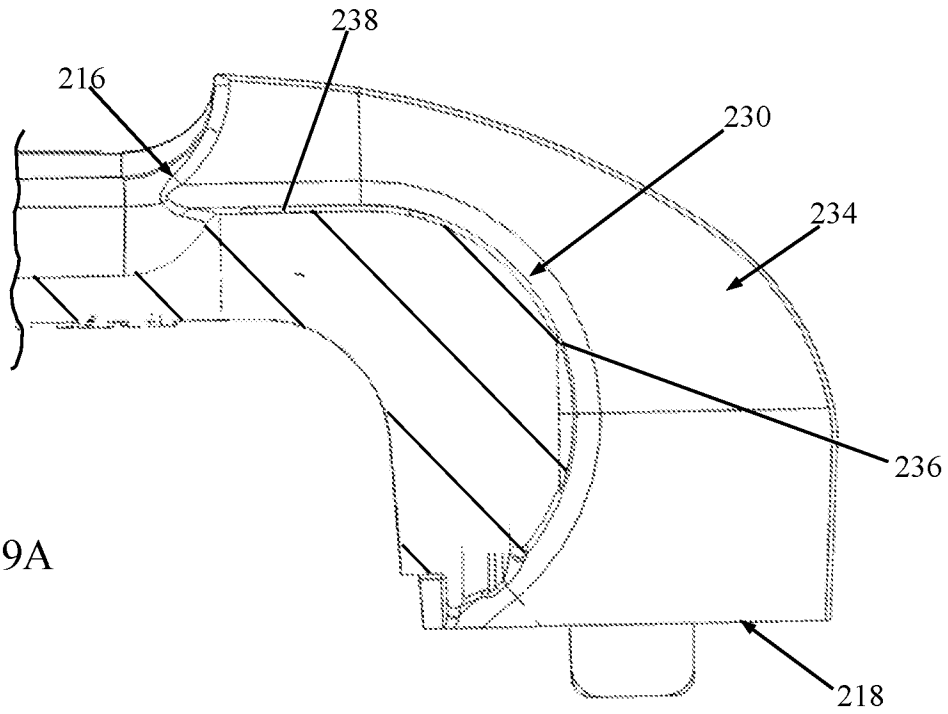


FIG. 9A

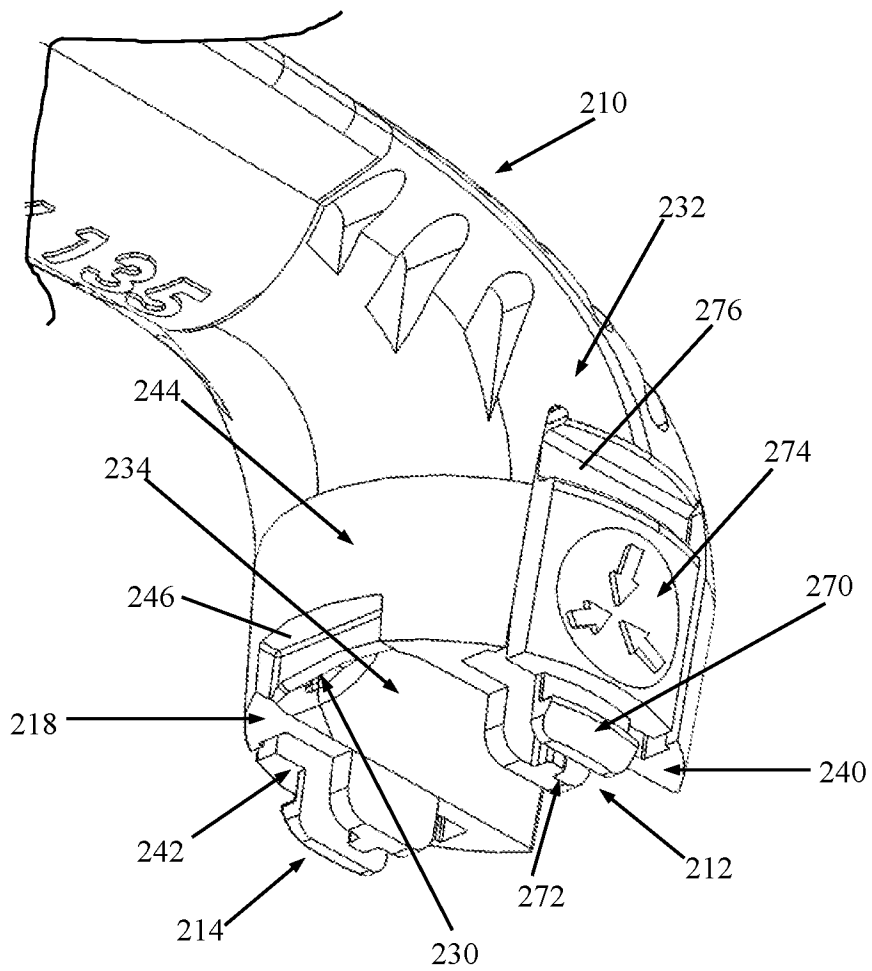


FIG. 9B

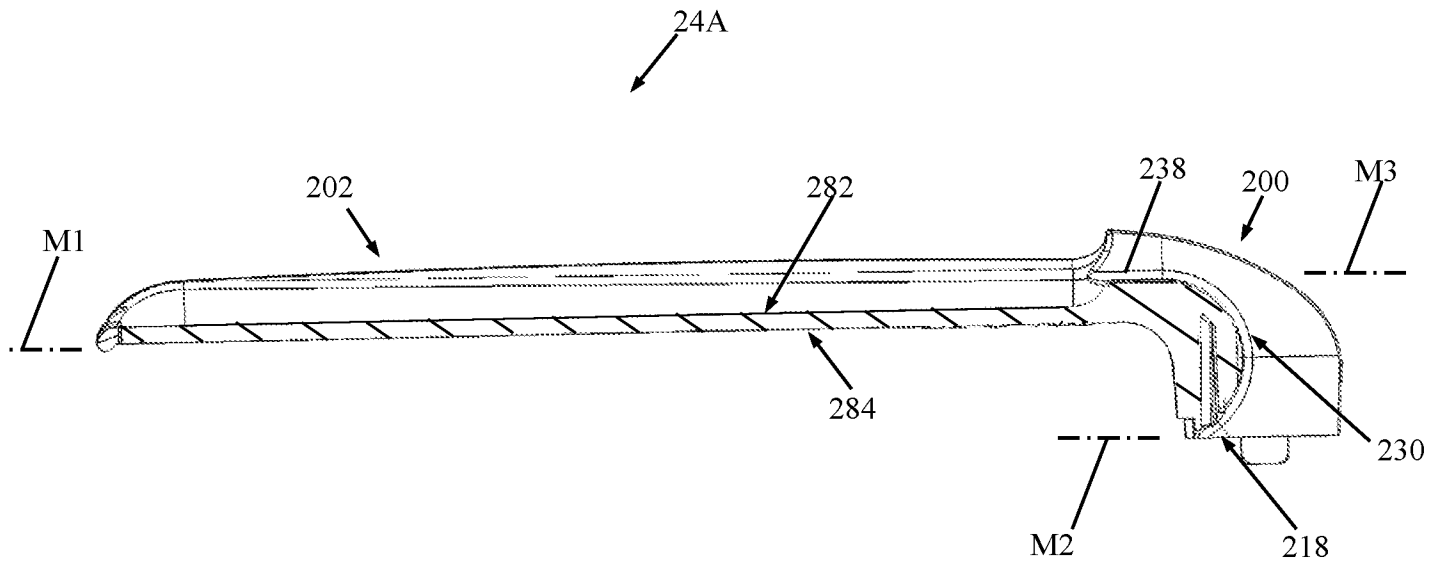


FIG. 10

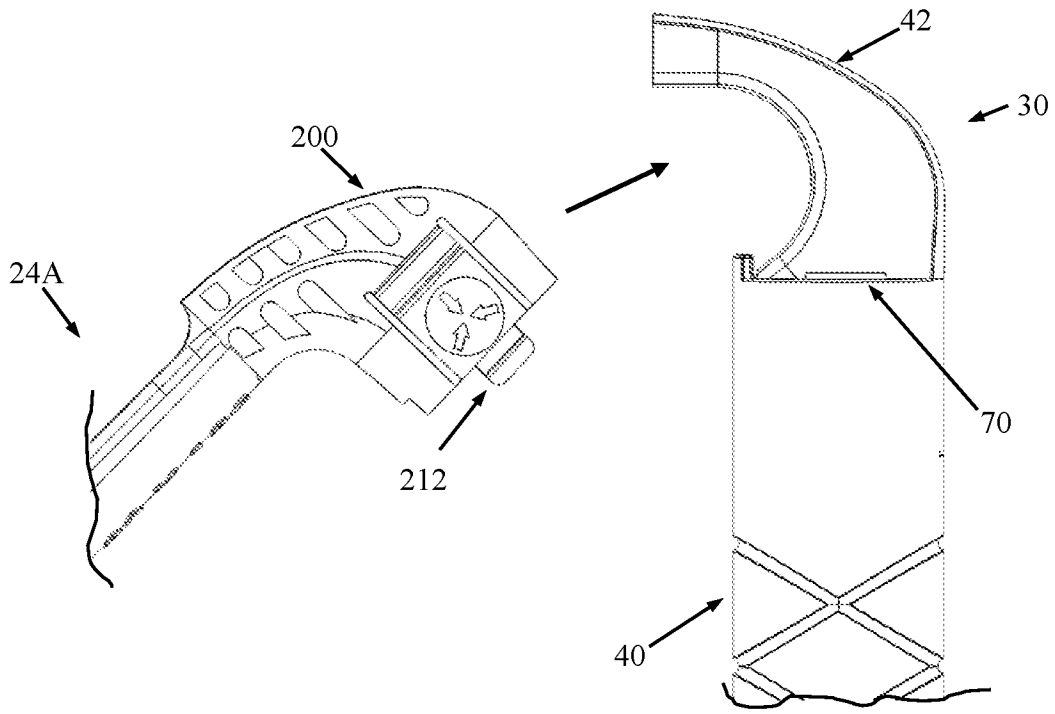


FIG. 11A

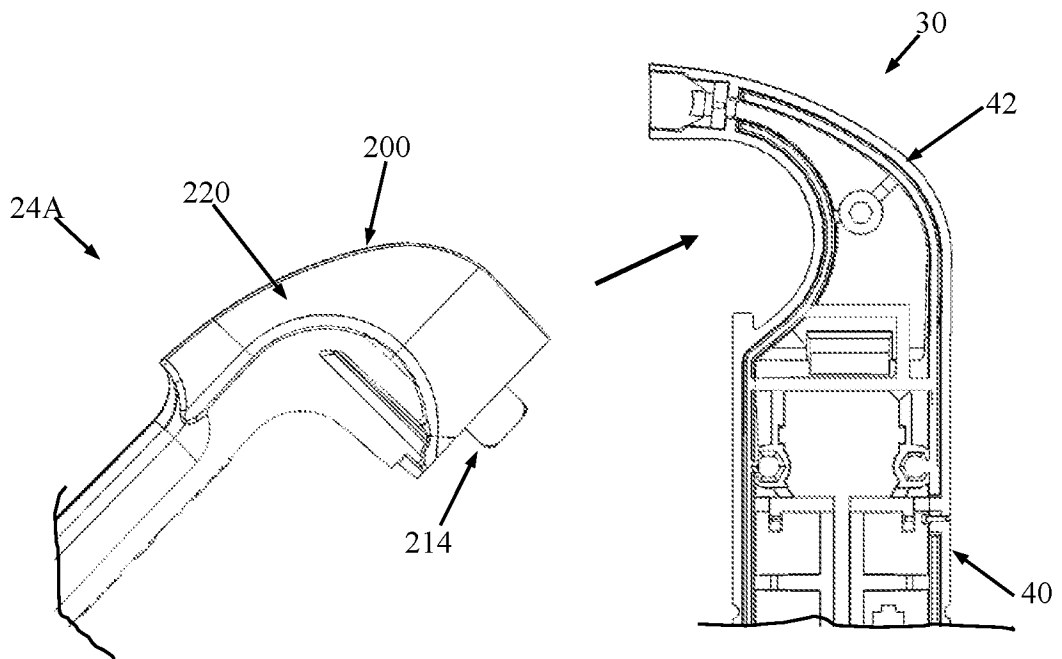


FIG. 11B

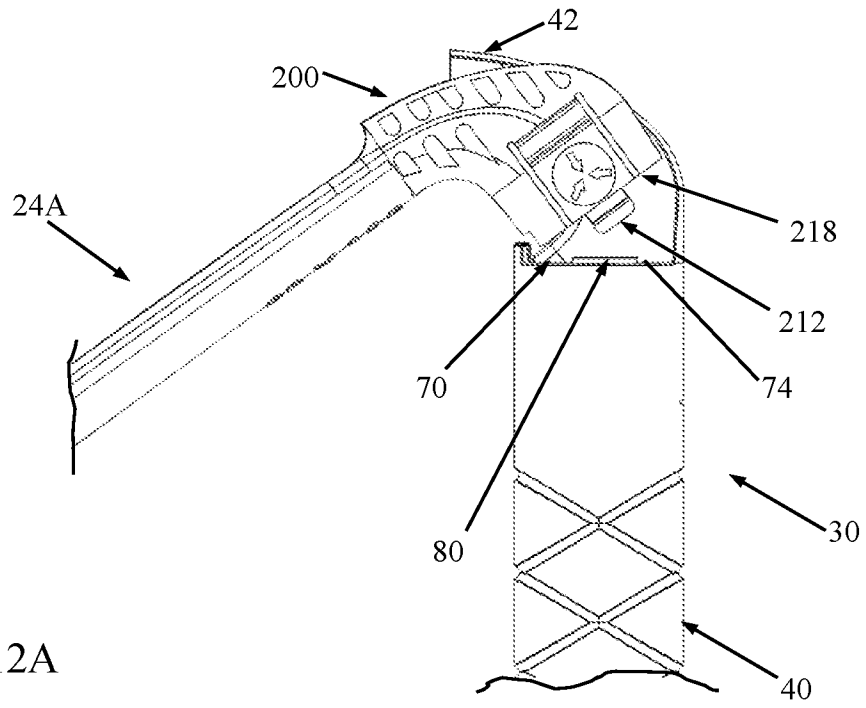


FIG. 12A

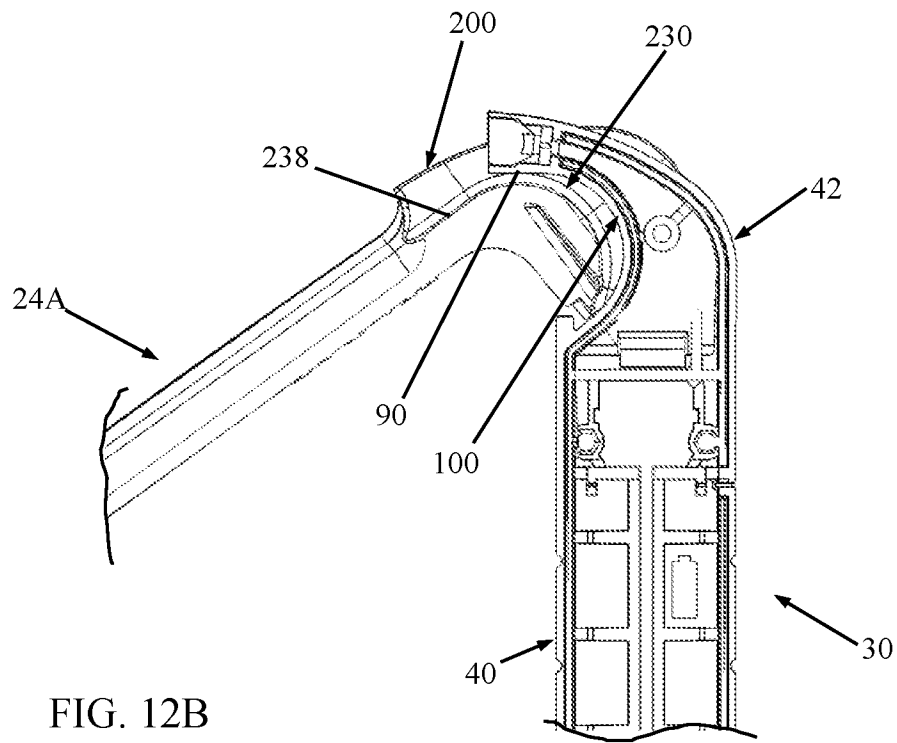


FIG. 12B

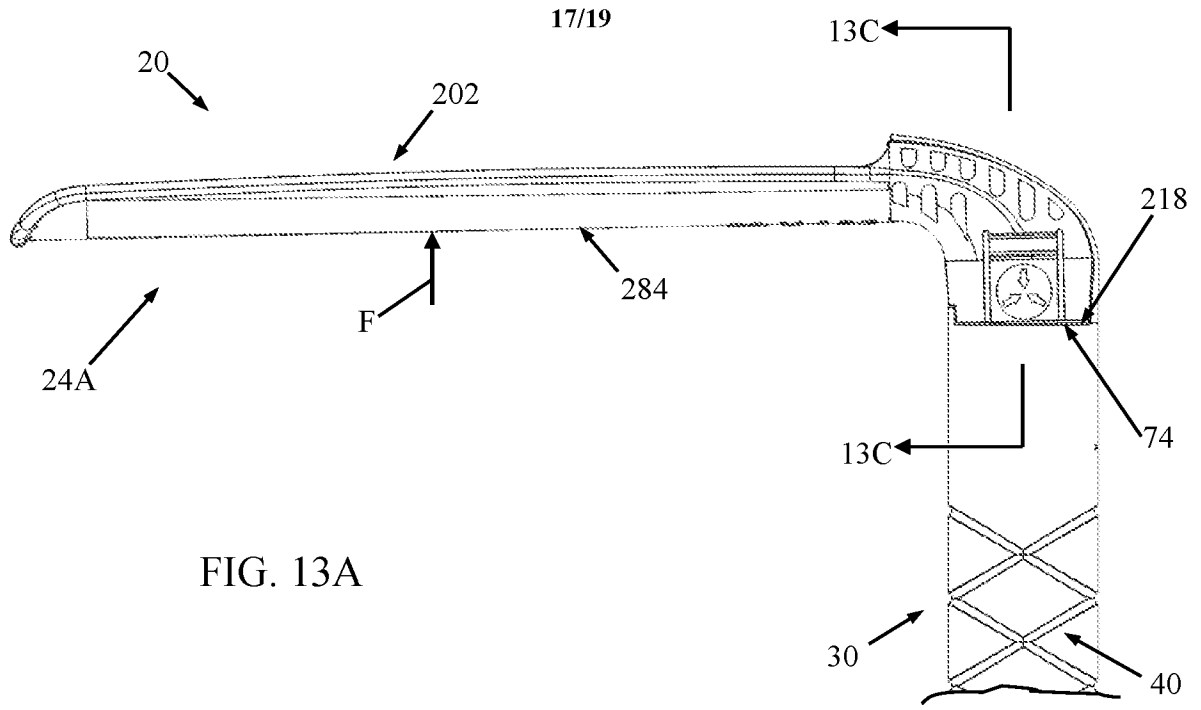


FIG. 13A

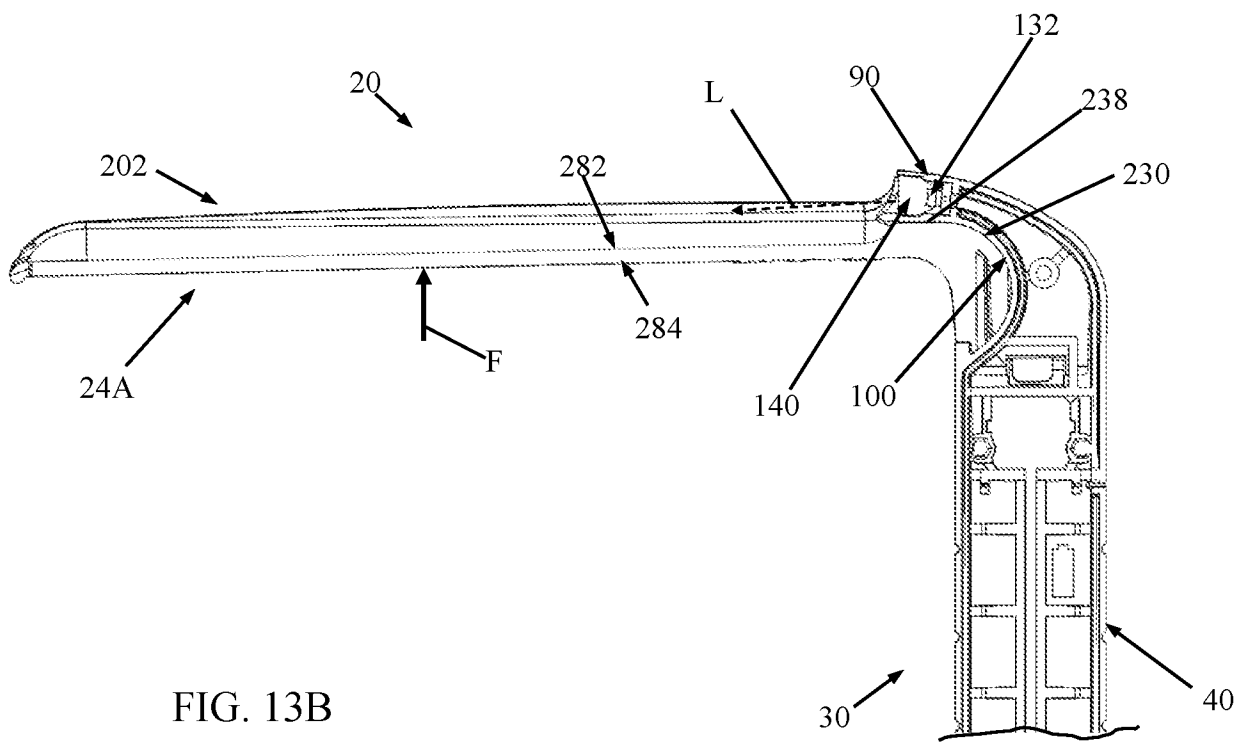


FIG. 13B

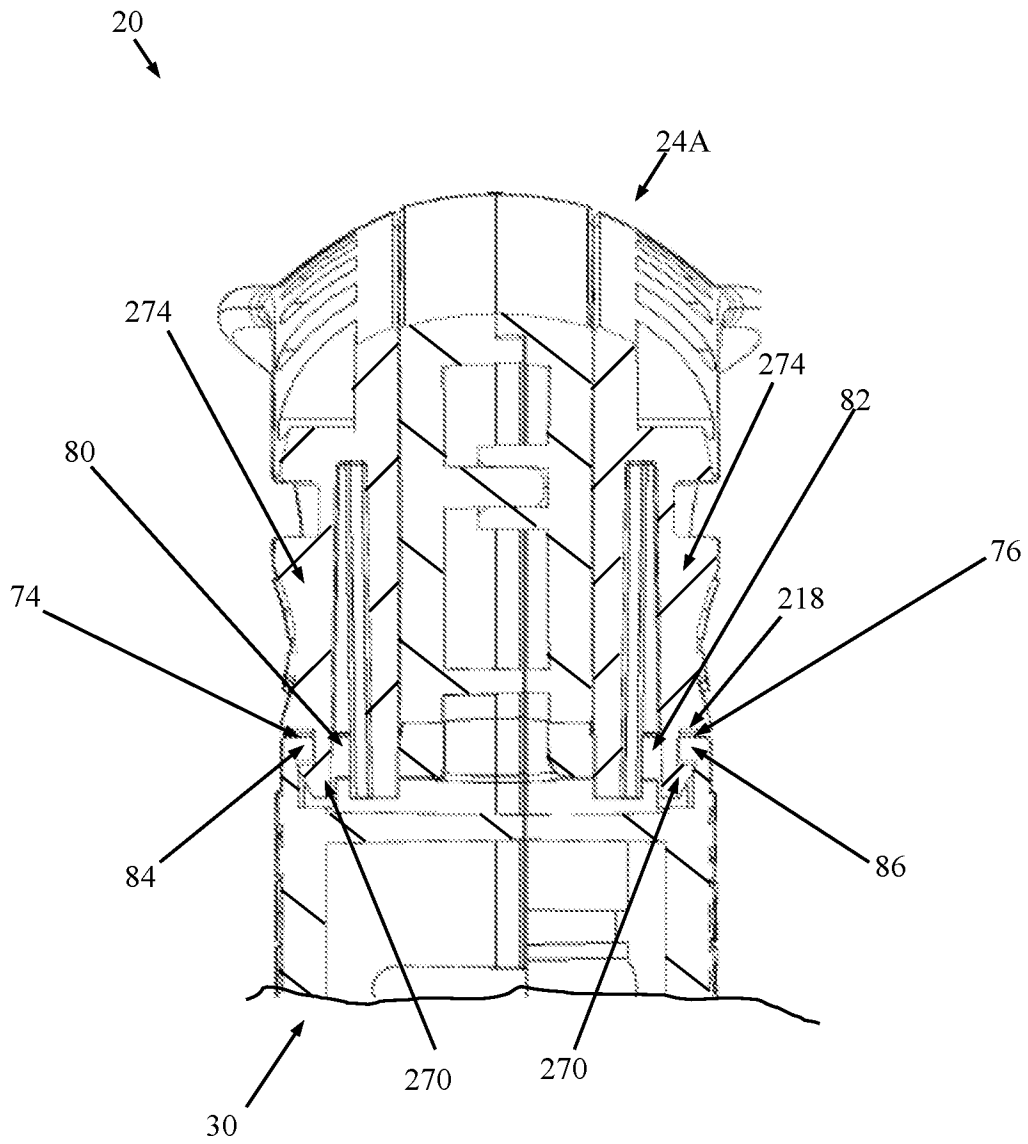


FIG. 13C

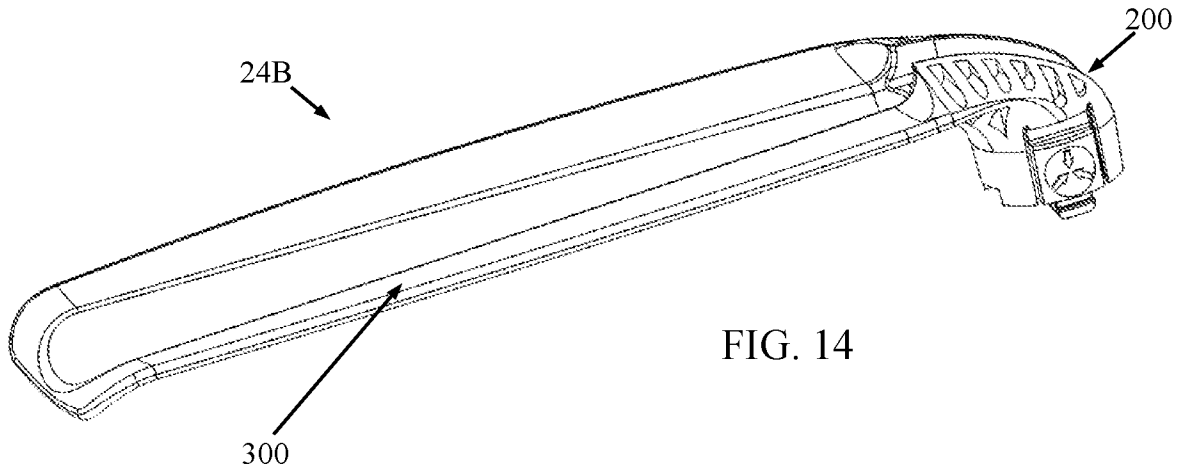


FIG. 14

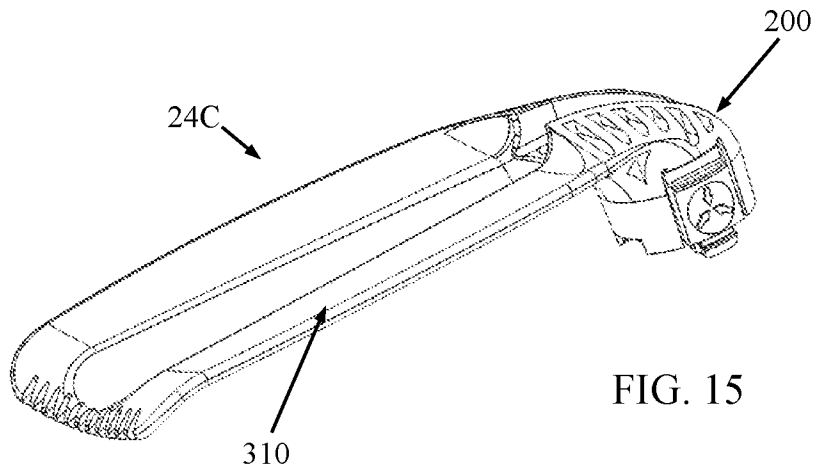


FIG. 15

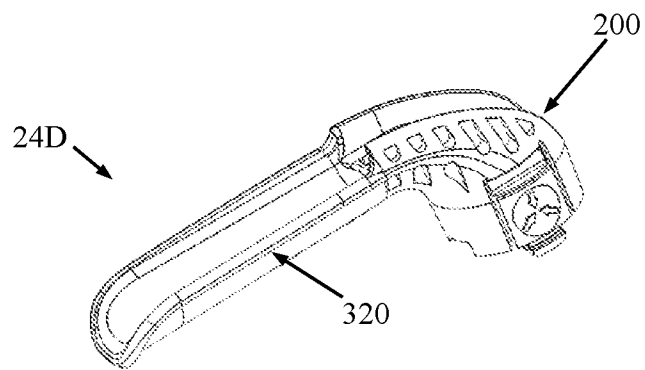


FIG. 16

INTERNATIONAL SEARCH REPORT

International application No  
PCT/US2018/012515

A. CLASSIFICATION OF SUBJECT MATTER  
INV. A61B17/02 A61B90/00  
ADD.  
According to International Patent Classification (IPC) or to both national classification and IPC

B. FIELDS SEARCHED  
Minimum documentation searched (classification system followed by classification symbols)  
A61B

Documentation searched other than minimum documentation to the extent that such documents are included in the fields searched

Electronic data base consulted during the international search (name of data base and, where practicable, search terms used)  
EPO-Internal

C. DOCUMENTS CONSIDERED TO BE RELEVANT

Category*	Citation of document, with indication, where appropriate, of the relevant passages	Relevant to claim No.
X	US 2010/069722 A1 (SHALMAN MICHAEL [IL] ET AL) 18 March 2010 (2010-03-18) page 15, line 4 - page 17, line 27; figures 35-37	1-3,7,8, 12-14, 17-20
X	US 2010/022843 A1 (PECHERER EUGENY [IL] ET AL) 28 January 2010 (2010-01-28) page 3, line 15 - page 5, line 15; figures 1-3	1,2, 12-17,19
X	US 2008/132766 A1 (DANT JACK A [US] ET AL) 5 June 2008 (2008-06-05) paragraph [0023]; figure 2	1,7-10, 20
X	CN 105 559 740 A (LIANG YONGHUI) 11 May 2016 (2016-05-11) the whole document	1,2
	----- -/--	

Further documents are listed in the continuation of Box C.

See patent family annex.

\* Special categories of cited documents :

- "A" document defining the general state of the art which is not considered to be of particular relevance
- "E" earlier application or patent but published on or after the international filing date
- "L" document which may throw doubts on priority claim(s) or which is cited to establish the publication date of another citation or other special reason (as specified)
- "O" document referring to an oral disclosure, use, exhibition or other means
- "P" document published prior to the international filing date but later than the priority date claimed

- "T" later document published after the international filing date or priority date and not in conflict with the application but cited to understand the principle or theory underlying the invention
- "X" document of particular relevance; the claimed invention cannot be considered novel or cannot be considered to involve an inventive step when the document is taken alone
- "Y" document of particular relevance; the claimed invention cannot be considered to involve an inventive step when the document is combined with one or more other such documents, such combination being obvious to a person skilled in the art
- "&" document member of the same patent family

Date of the actual completion of the international search  8 March 2018	Date of mailing of the international search report  15/03/2018
---	--

Name and mailing address of the ISA/ European Patent Office, P.B. 5818 Patentlaan 2 NL - 2280 HV Rijswijk Tel. (+31-70) 340-2040, Fax: (+31-70) 340-3016	Authorized officer  Chopinard, Marjorie
--	---

## INTERNATIONAL SEARCH REPORT

International application No  
PCT/US2018/012515

C(Continuation). DOCUMENTS CONSIDERED TO BE RELEVANT		
Category*	Citation of document, with indication, where appropriate, of the relevant passages	Relevant to claim No.
X	US 4 344 419 A (BURGIN KERMIT) 17 August 1982 (1982-08-17)  column 2, line 3 - column 3, line 27; figures 1,4  -----	1,2,12, 14,15, 17-20
X	WO 2013/044151 A1 (INVUITY INC [US]; VAYSER ALEX [US]; RIMER DOUGLAS [US]; DESANTIS STEPH) 28 March 2013 (2013-03-28) paragraph [0108]; figures 15a,15b  -----	1-3, 12-14, 17-20

# INTERNATIONAL SEARCH REPORT

Information on patent family members

International application No PCT/US2018/012515
---

Patent document cited in search report	Publication date	Patent family member(s)	Publication date
US 2010069722 A1	18-03-2010	US 2008045801 A1 US 2010069722 A1 WO 2008020296 A2	21-02-2008 18-03-2010 21-02-2008
US 2010022843 A1	28-01-2010	EP 2120676 A2 US 2010022843 A1 WO 2008111057 A2	25-11-2009 28-01-2010 18-09-2008
US 2008132766 A1	05-06-2008	NONE	
CN 105559740 A	11-05-2016	NONE	
US 4344419 A	17-08-1982	NONE	
WO 2013044151 A1	28-03-2013	EP 2757934 A1 JP 6224593 B2 JP 2015501167 A JP 2017176878 A KR 20140069254 A US 9718130 B1 US 2013267786 A1 US 2015018627 A1 US 2016022372 A1 US 2017196652 A1 US 2018014900 A1 WO 2013044151 A1	30-07-2014 01-11-2017 15-01-2015 05-10-2017 09-06-2014 01-08-2017 10-10-2013 15-01-2015 28-01-2016 13-07-2017 18-01-2018 28-03-2013