



US00D872162S

(12) **United States Design Patent**  
**Gao**

(10) **Patent No.:** **US D872,162 S**

(45) **Date of Patent:** **\*\* Jan. 7, 2020**

(54) **SPORTS CAMERA**

(71) Applicant: **Shenzhen Cencom Technology Co., Ltd.**, Shenzhen, Guangdong (CN)

(72) Inventor: **Jianmin Gao**, Guangdong (CN)

(73) Assignee: **Shenzhen Cencom Technology Co., Ltd.**, Shenzhen (CN)

(\*\*) Term: **15 Years**

(21) Appl. No.: **29/636,538**

(22) Filed: **Feb. 8, 2018**

(30) **Foreign Application Priority Data**

Jan. 2, 2018 (CN) ..... 2018 3 0000566

(51) **LOC (12) Cl.** ..... **16-01**

(52) **U.S. Cl.**

USPC ..... **D16/218**

(58) **Field of Classification Search**

USPC ..... D16/200, 202-210, 212, 218, 219;  
348/373-376; 396/448, 535, 539-541  
CPC ..... G03B 15/03; G03B 17/02; G03B 17/04;  
G03B 17/56; G03B 19/04; H04N 5/2251;  
H04N 5/2252; H04N 5/2253; H04N  
5/2254; H04N 2101/00

See application file for complete search history.

(56) **References Cited**

**U.S. PATENT DOCUMENTS**

6,788,887 B2 \* 9/2004 Takeshita ..... G03B 17/06  
396/286  
D533,574 S \* 12/2006 Hamamura ..... D16/202

D548,256 S \* 8/2007 Hase ..... D16/202  
7,768,727 B2 \* 8/2010 Iida ..... G02B 7/102  
359/819  
7,801,439 B2 \* 9/2010 Nagata ..... G03B 17/12  
396/301  
D721,395 S \* 1/2015 Woodman ..... D16/218  
D737,879 S \* 9/2015 Woodman ..... D16/218  
D772,966 S \* 11/2016 Song ..... D16/200  
D777,232 S \* 1/2017 Lillquist ..... D16/202  
D789,435 S \* 6/2017 Nguyen ..... D16/202  
D790,002 S \* 6/2017 Nguyen ..... D16/218  
D793,463 S \* 8/2017 Houin ..... D16/202  
D800,202 S \* 10/2017 Hu ..... D16/218

\* cited by examiner

*Primary Examiner* — Ramzi S Almatrahi

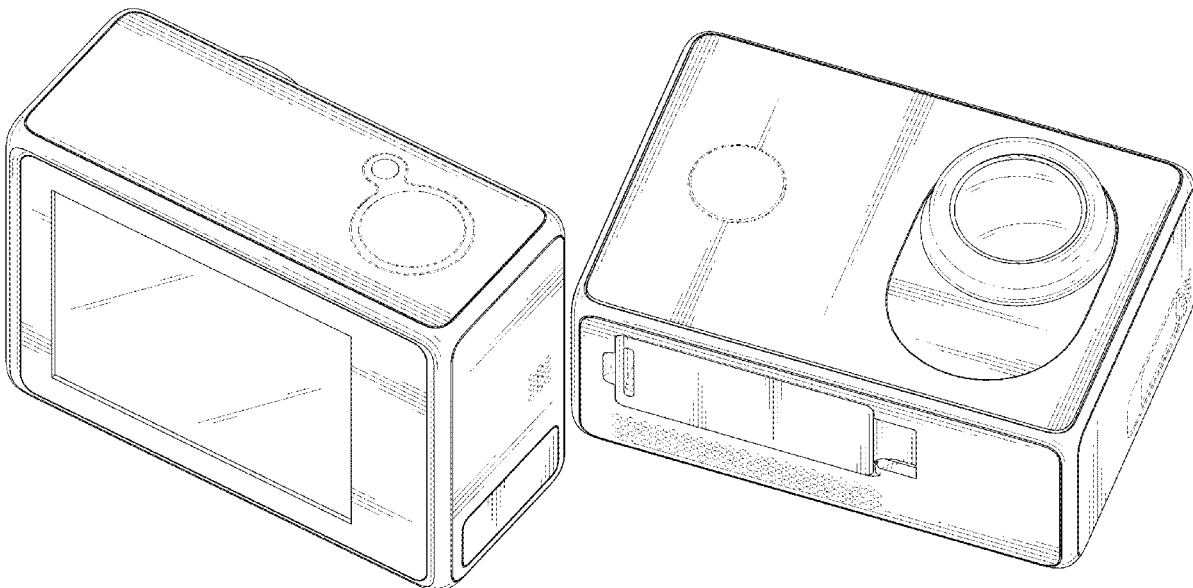
(57) **CLAIM**

The ornamental design for a sports camera, as shown and described.

**DESCRIPTION**

FIG. 1 is a front elevational view of a sports camera showing my new design;  
FIG. 2 is a rear elevational view thereof;  
FIG. 3 is a left side view thereof;  
FIG. 4 is a right side view thereof;  
FIG. 5 is a bottom plan view thereof;  
FIG. 6 is a top plan view thereof;  
FIG. 7 is a top, front and right side perspective view thereof; and,  
FIG. 8 is a bottom, rear and left side perspective view thereof.  
The broken lines depict portions of the sports camera in which the design is embodied that form no part of the claimed design.

**1 Claim, 8 Drawing Sheets**



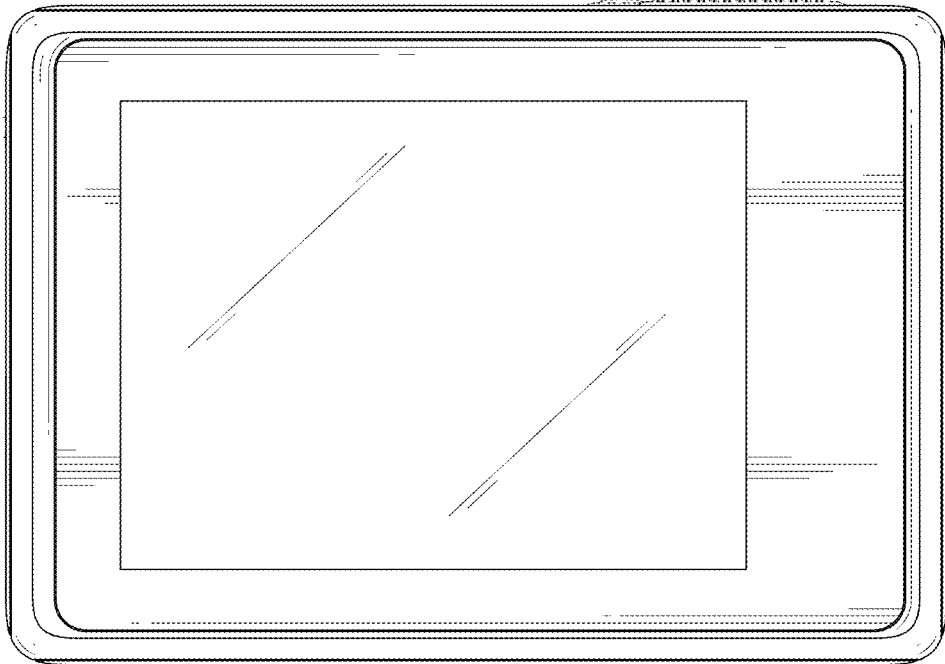


FIG. 1

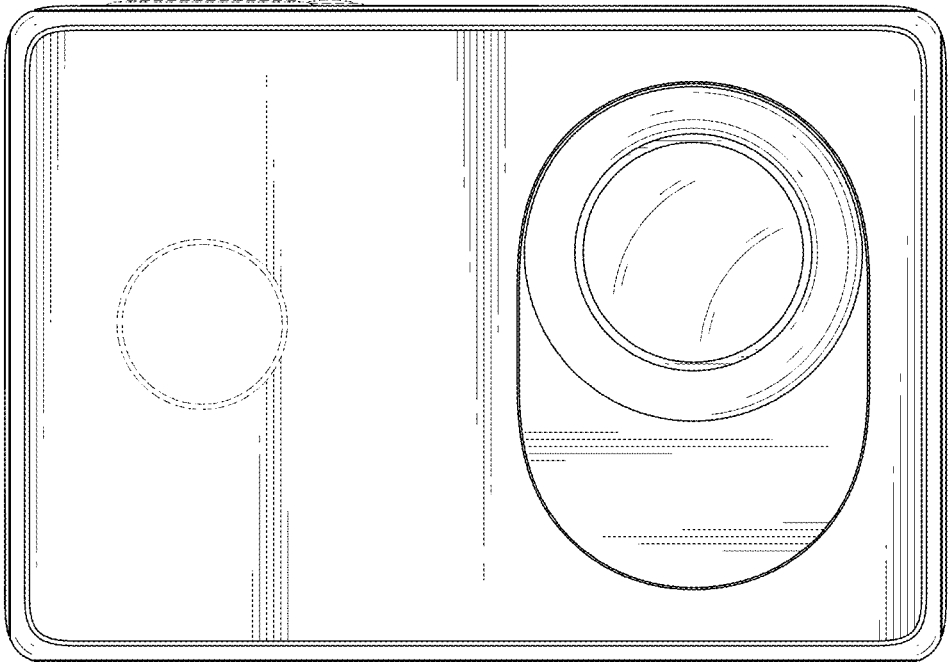


FIG. 2

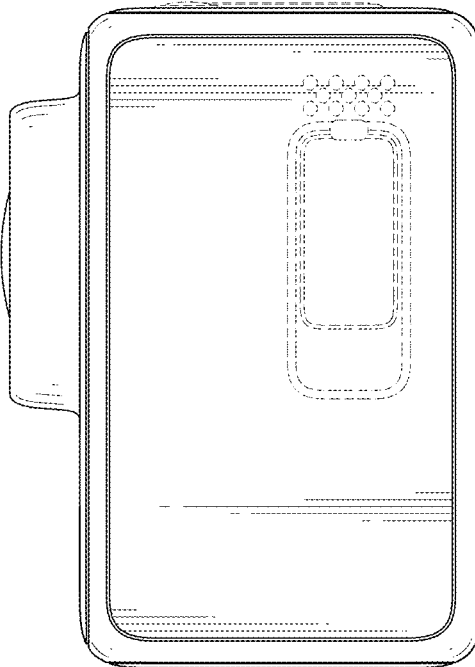


FIG. 3

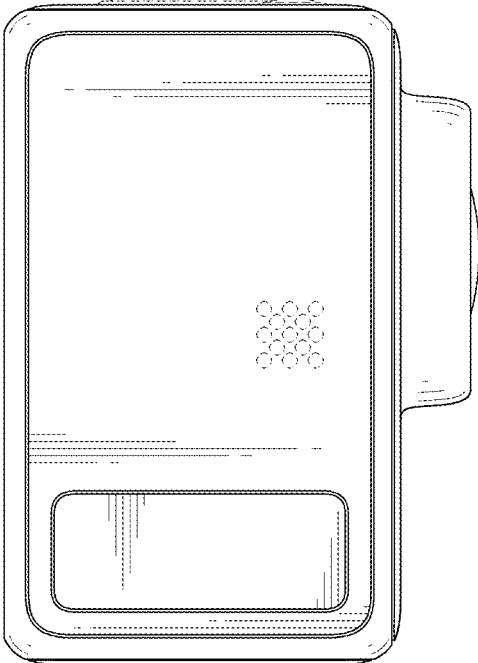


FIG. 4

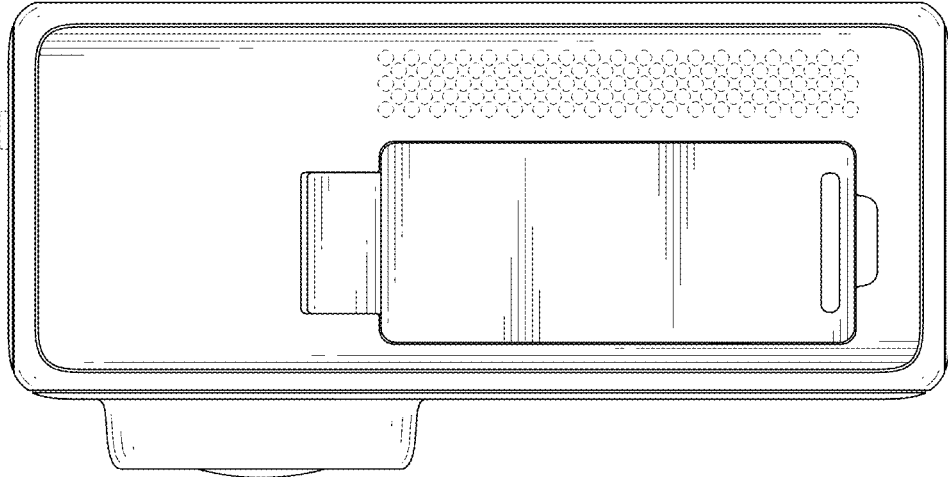


FIG. 5

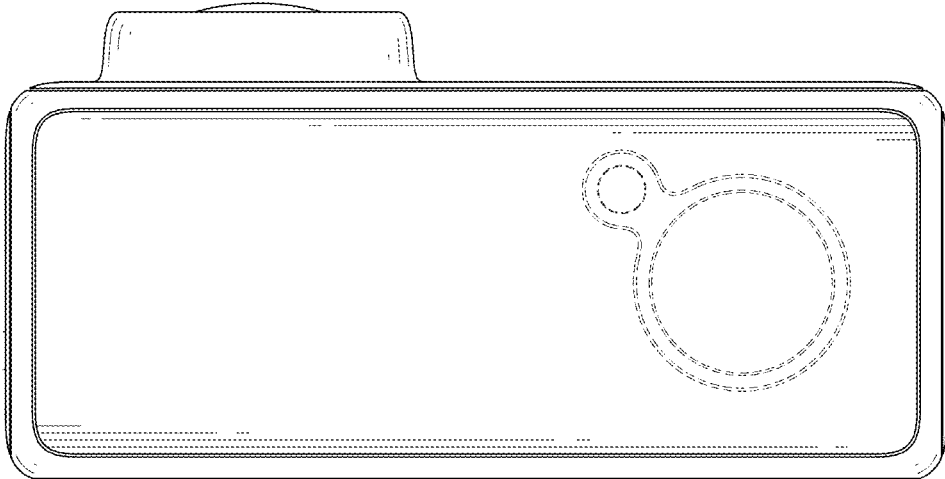


FIG. 6

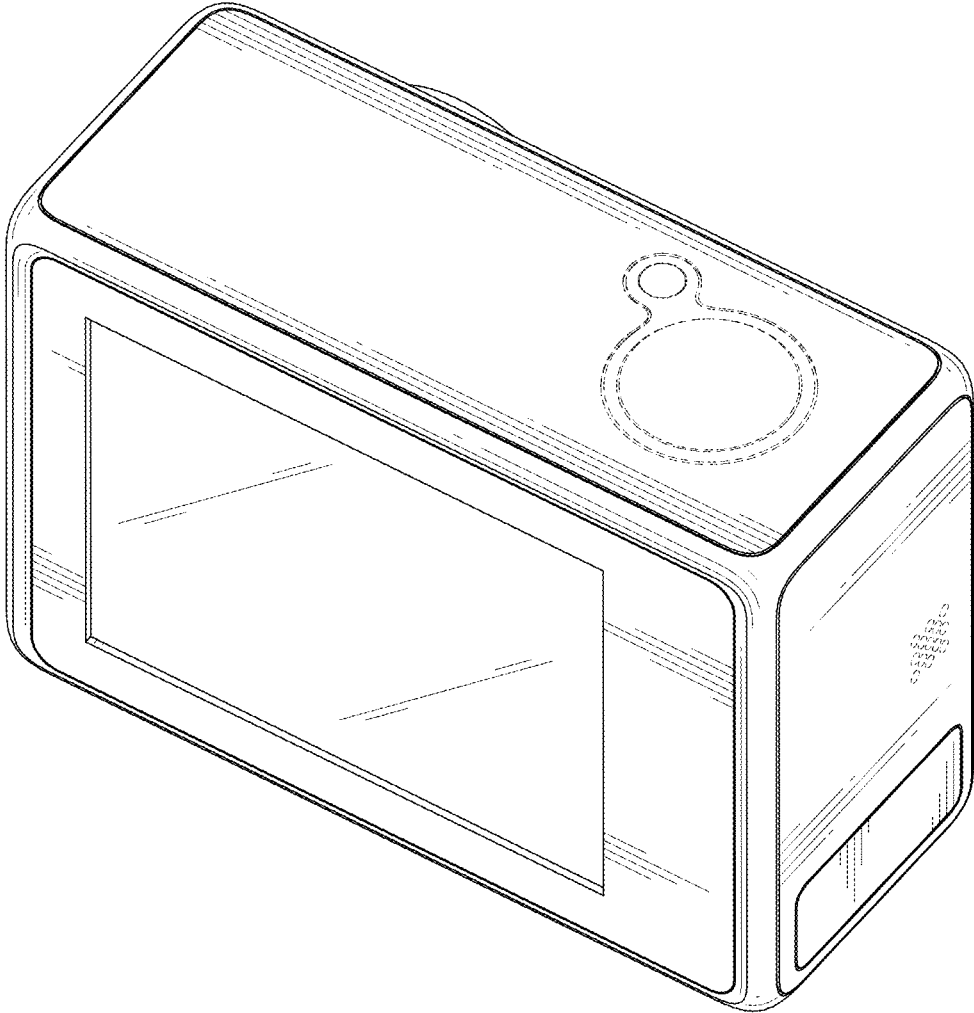


FIG. 7

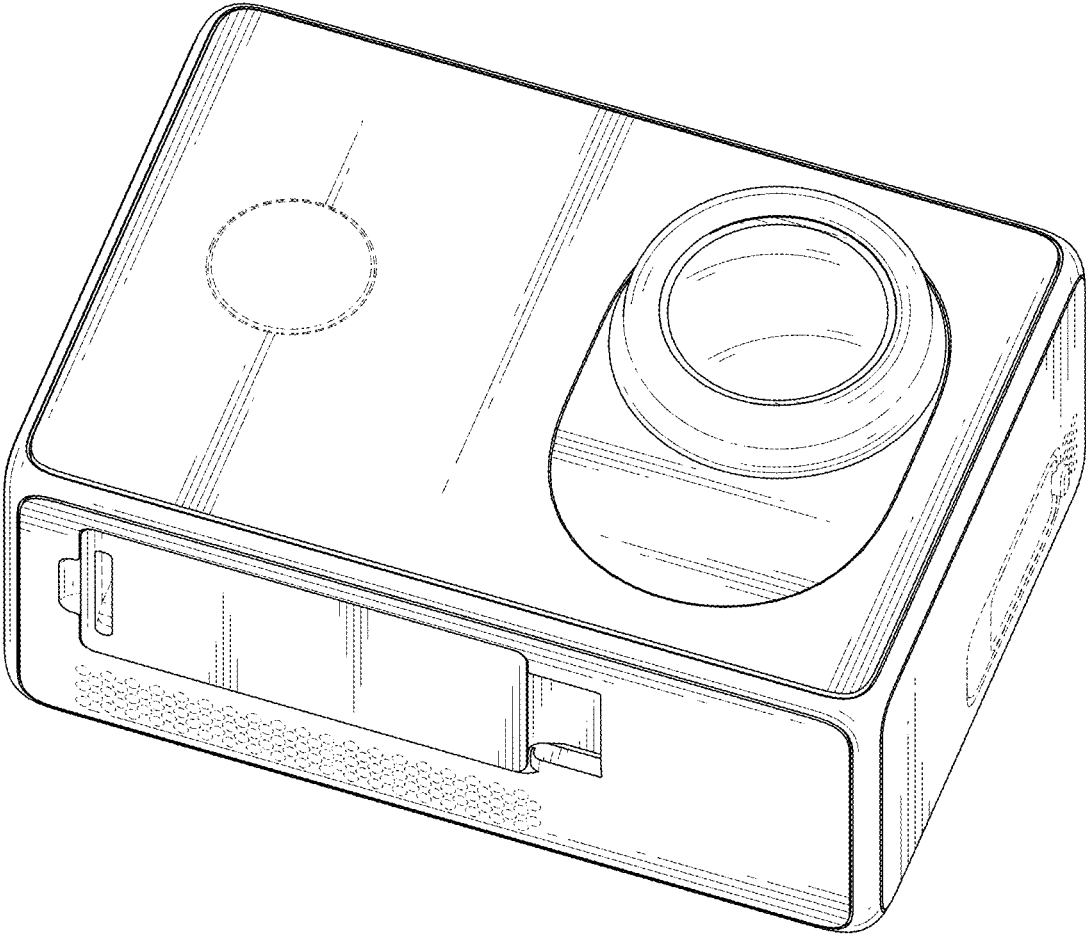


FIG. 8