



US00D763426S

(12) **United States Design Patent**
Koch

(10) **Patent No.:** **US D763,426 S**

(45) **Date of Patent:** **** Aug. 9, 2016**

(54) **FILTER ELEMENT**

6,994,742 B2 2/2006 Barris et al.
7,070,642 B2 7/2006 Scott et al.
7,179,317 B2 2/2007 Chung et al.

(71) Applicant: **Tony Koch**, Kearney, NE (US)

(Continued)

(72) Inventor: **Tony Koch**, Kearney, NE (US)

FOREIGN PATENT DOCUMENTS

(73) Assignee: **Baldwin Filters, Inc.**, Kearney, NE (US)

DE 60123478 T2 8/2007
EP 0562502 B1 6/1996

(**) Term: **14 Years**

(Continued)

(21) Appl. No.: **29/524,207**

Primary Examiner — Sandra Snapp
Assistant Examiner — Wendy Arminio

(22) Filed: **Apr. 17, 2015**

(74) *Attorney, Agent, or Firm* — Reinhart Boerner Van Deuren P.C.

(51) **LOC (10) Cl.** **23-04**

(52) **U.S. Cl.**
USPC **D23/365**

(58) **Field of Classification Search**
USPC D23/355–365, 386–388, 314, 325,
D23/333–336; 55/478, 482, 483, 490, 497,
55/498, 520, 521, 529
CPC ... B01D 46/00; B01D 46/0004; B01D 27/04;
B01D 27/06; B01D 39/00

See application file for complete search history.

(57) **CLAIM**

I claim the ornamental design for the filter element, as shown and described.

DESCRIPTION

FIG. 1 is a front perspective view of a first embodiment of the filter element;

FIG. 2 is a front view of the filter element, being the same as the back view;

FIG. 3 is a side view of the filter element, being the same as the other side view;

FIG. 4 is a top view of the filter element;

FIG. 5 is a bottom view of the filter element;

FIG. 6 is a front perspective view of a second embodiment of the filter element;

FIG. 7 is a front view of the filter element, being the same as the back view;

FIG. 8 is a side view of the filter element, being the same as the other side view;

FIG. 9 is a top view of the filter element; and,

FIG. 10 is a bottom plan view of the filter element.

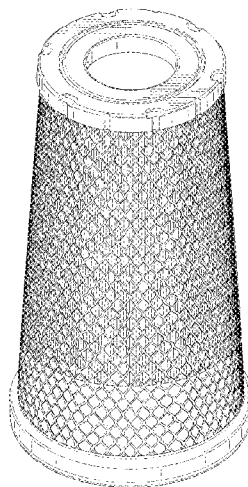
In the figures, dashed lines are used to illustrate features of the driver which form no part of the claimed design. Dash-dot lines are used as boundary lines between claimed and unclaimed areas of the claimed design.

(56) **References Cited**

U.S. PATENT DOCUMENTS

2,775,788	A *	1/1957	Andrew	B29B 9/065
					264/142
3,111,488	A *	11/1963	Casaleggi	B01D 27/06
					210/232
3,797,982	A *	3/1974	Borrello	B30B 11/224
					425/198
4,464,263	A *	8/1984	Brownell	B01D 27/005
					156/242
4,955,996	A	9/1990	Edwards et al.		
5,484,466	A	1/1996	Brown et al.		
6,387,162	B1 *	5/2002	Kosmider	B01D 46/0013
					55/484
6,652,614	B2	11/2003	Gieseke et al.		
6,800,117	B2	10/2004	Barris et al.		
6,837,920	B2	1/2005	Gieseke et al.		
6,924,028	B2	8/2005	Chung et al.		
6,955,775	B2	10/2005	Chung et al.		
6,986,805	B2	1/2006	Gieseke et al.		

1 Claim, 10 Drawing Sheets



(56)

References Cited

U.S. PATENT DOCUMENTS

7,291,198 B2 11/2007 Gieseke et al.
D582,533 S * 12/2008 Bodine D23/366
7,524,349 B2 4/2009 Schrage et al.
7,537,631 B2 5/2009 Scott et al.
7,572,310 B2 8/2009 Gieseke et al.
7,662,203 B2 2/2010 Scott et al.
7,691,188 B2 * 4/2010 Weber F02M 25/0854
55/498
7,815,705 B2 * 10/2010 Ehrenberg B01D 46/2414
55/428
7,981,186 B2 7/2011 Schrage et al.
7,981,187 B2 7/2011 Gieseke et al.
7,988,757 B2 8/2011 Scott et al.

8,216,335 B2 7/2012 Scott et al.
8,394,166 B2 3/2013 Scott et al.
8,460,425 B2 6/2013 Scott et al.
8,852,309 B2 10/2014 Scott et al.
D737,945 S * 9/2015 Leatzow D23/365
D746,969 S * 1/2016 Leatzow D23/365
2004/0060439 A1 * 4/2004 Byrd B01D 46/2411
95/273
2008/0190082 A1 8/2008 Scott et al.
2013/0269302 A1 10/2013 Scott et al.

FOREIGN PATENT DOCUMENTS

EP 1357997 B1 9/2006
FR 2665217 A1 1/1992

* cited by examiner

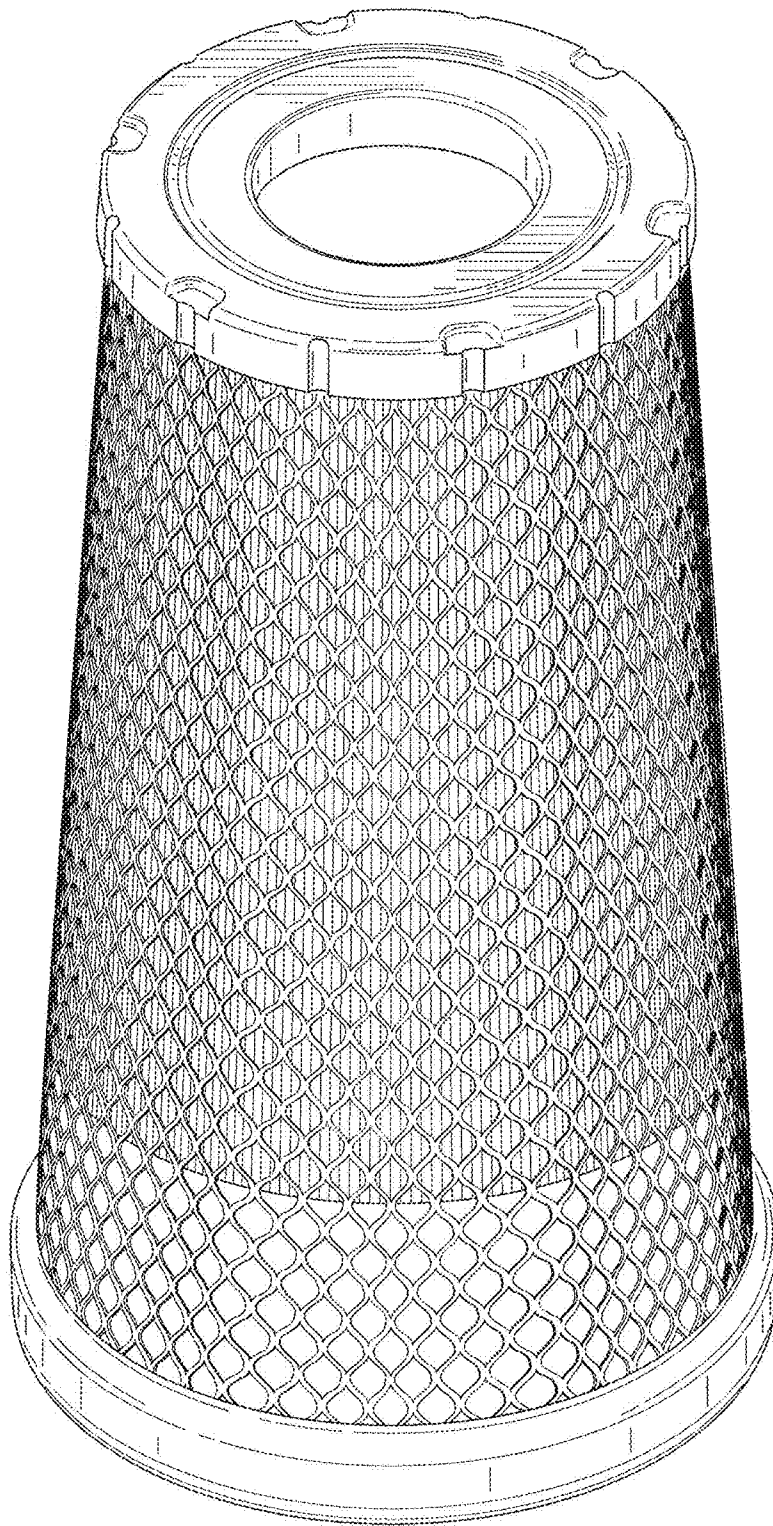


FIG. 1

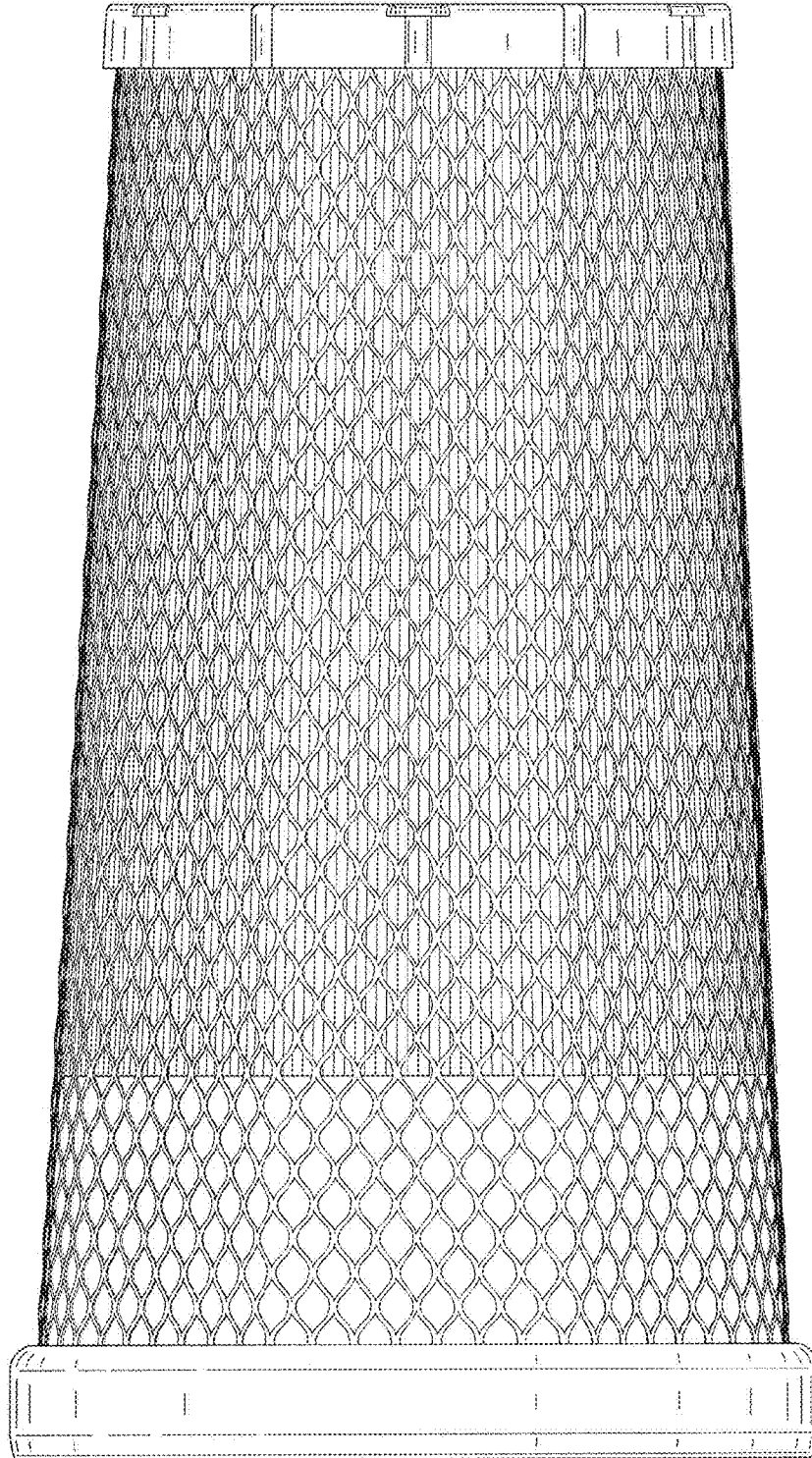


FIG. 2

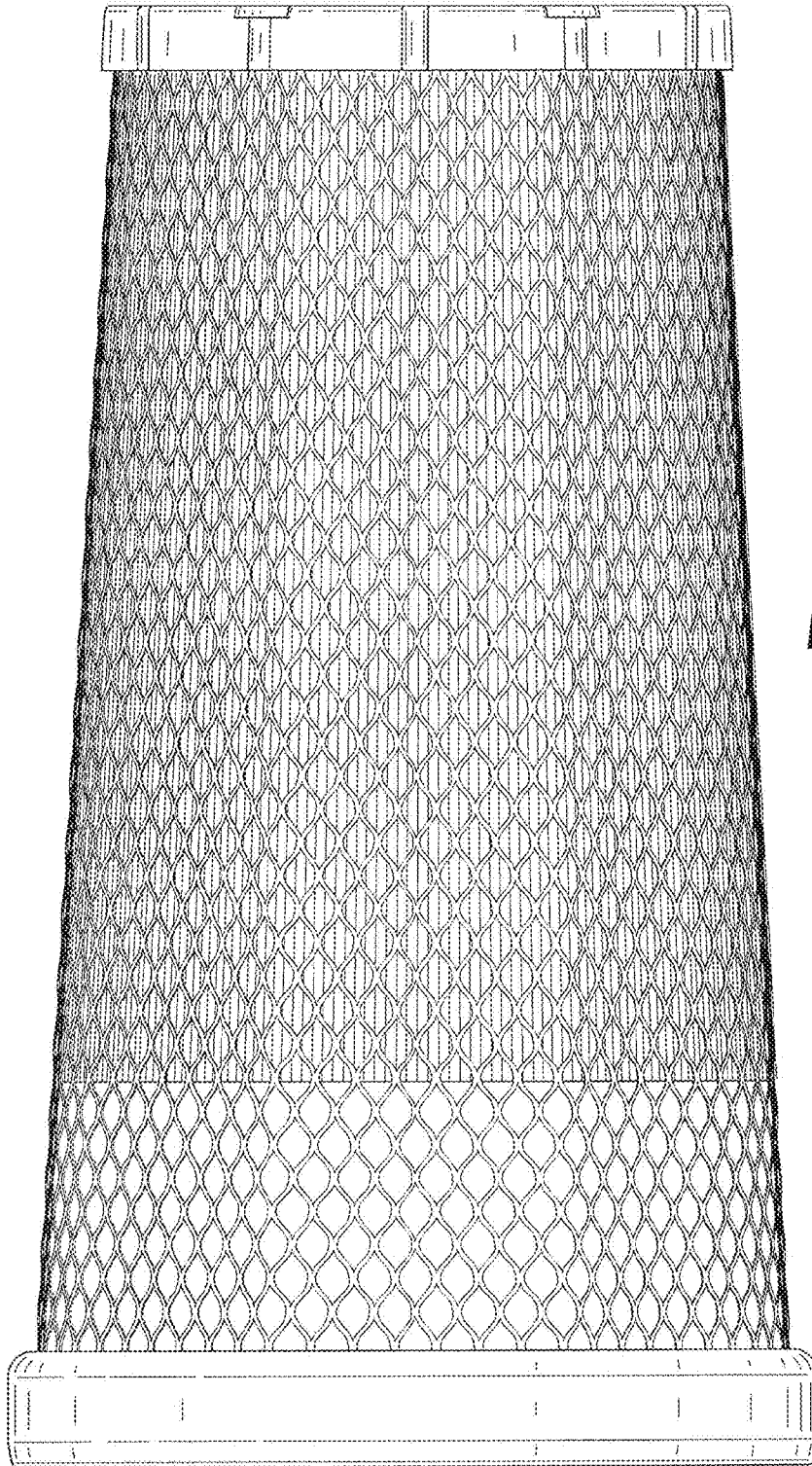


FIG. 3

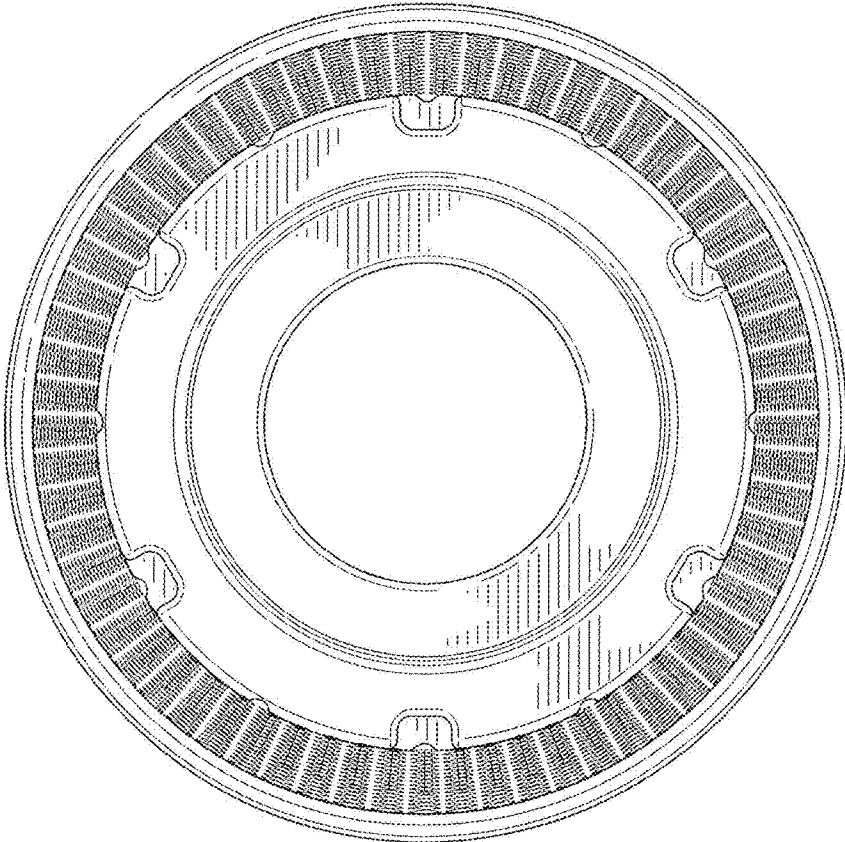


FIG. 4

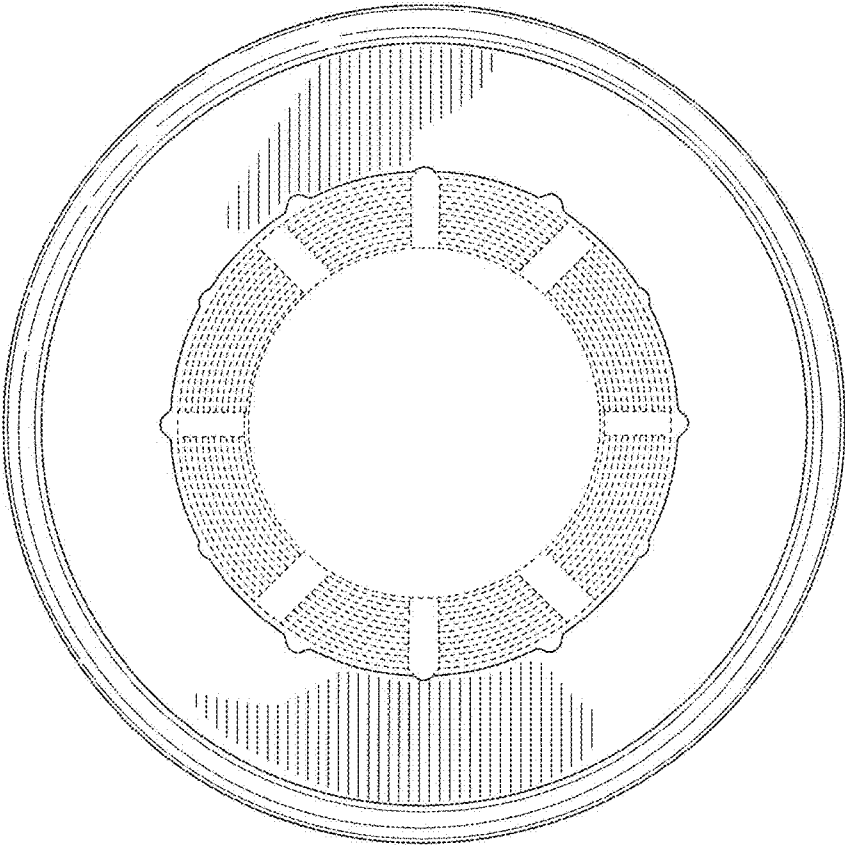


FIG. 5

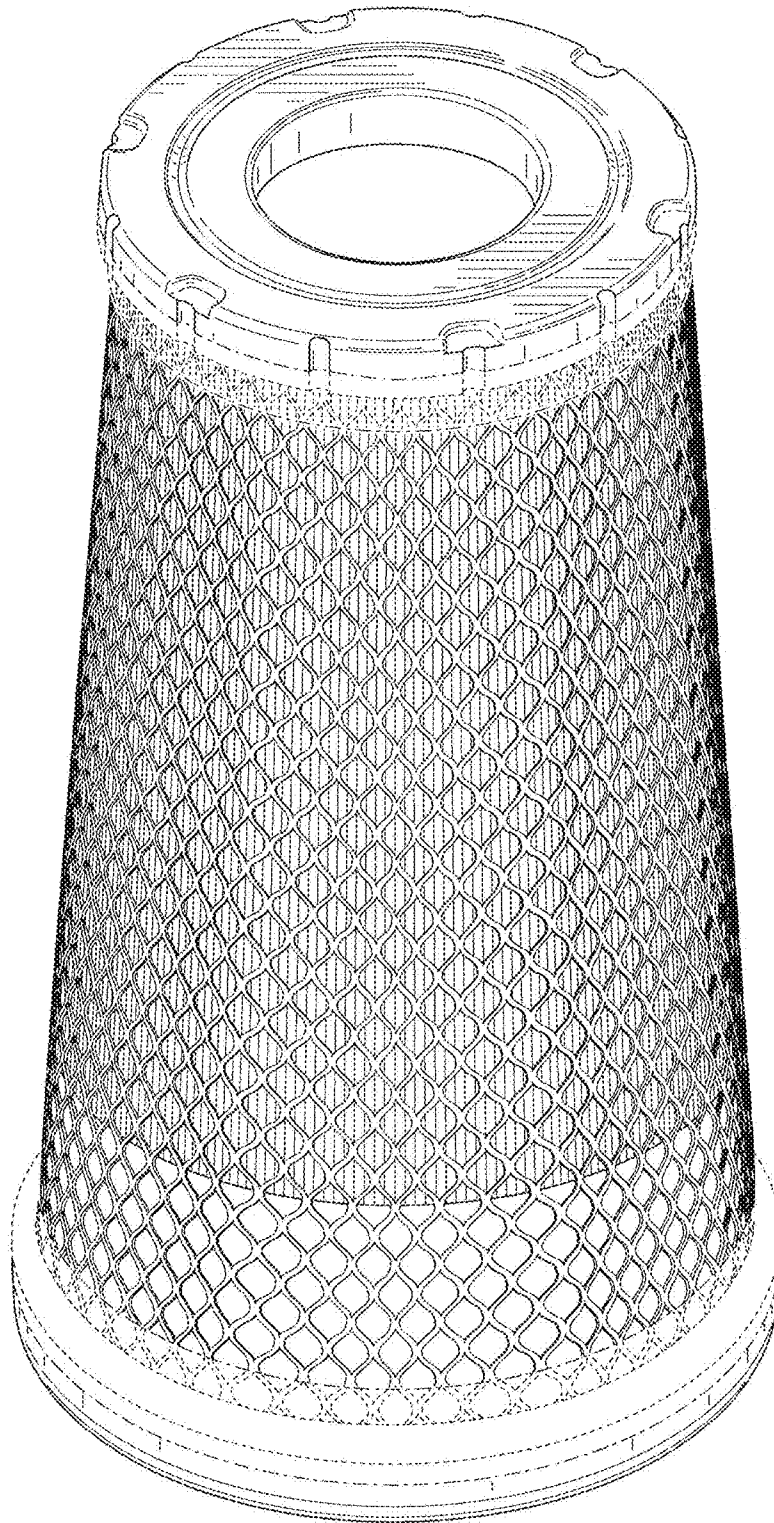


FIG. 6

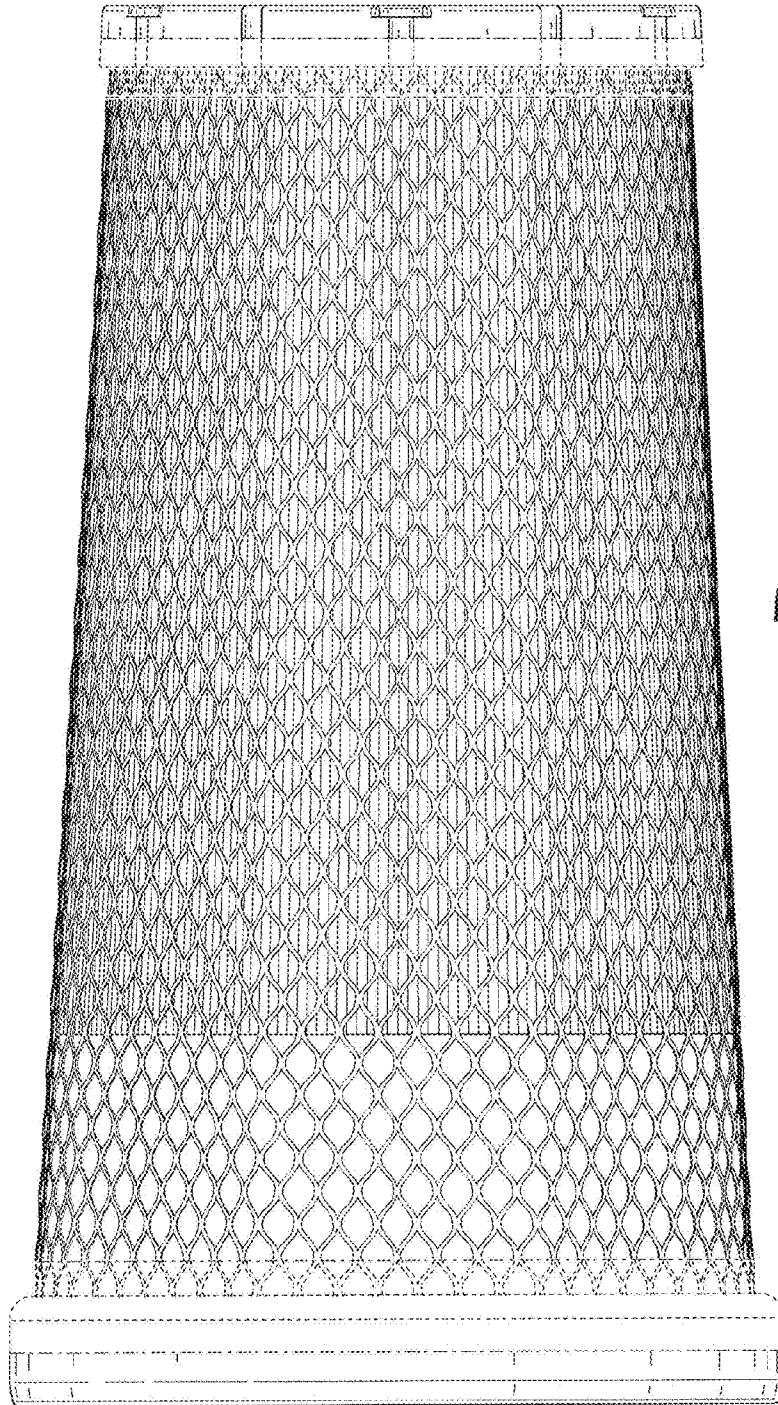


FIG. 7

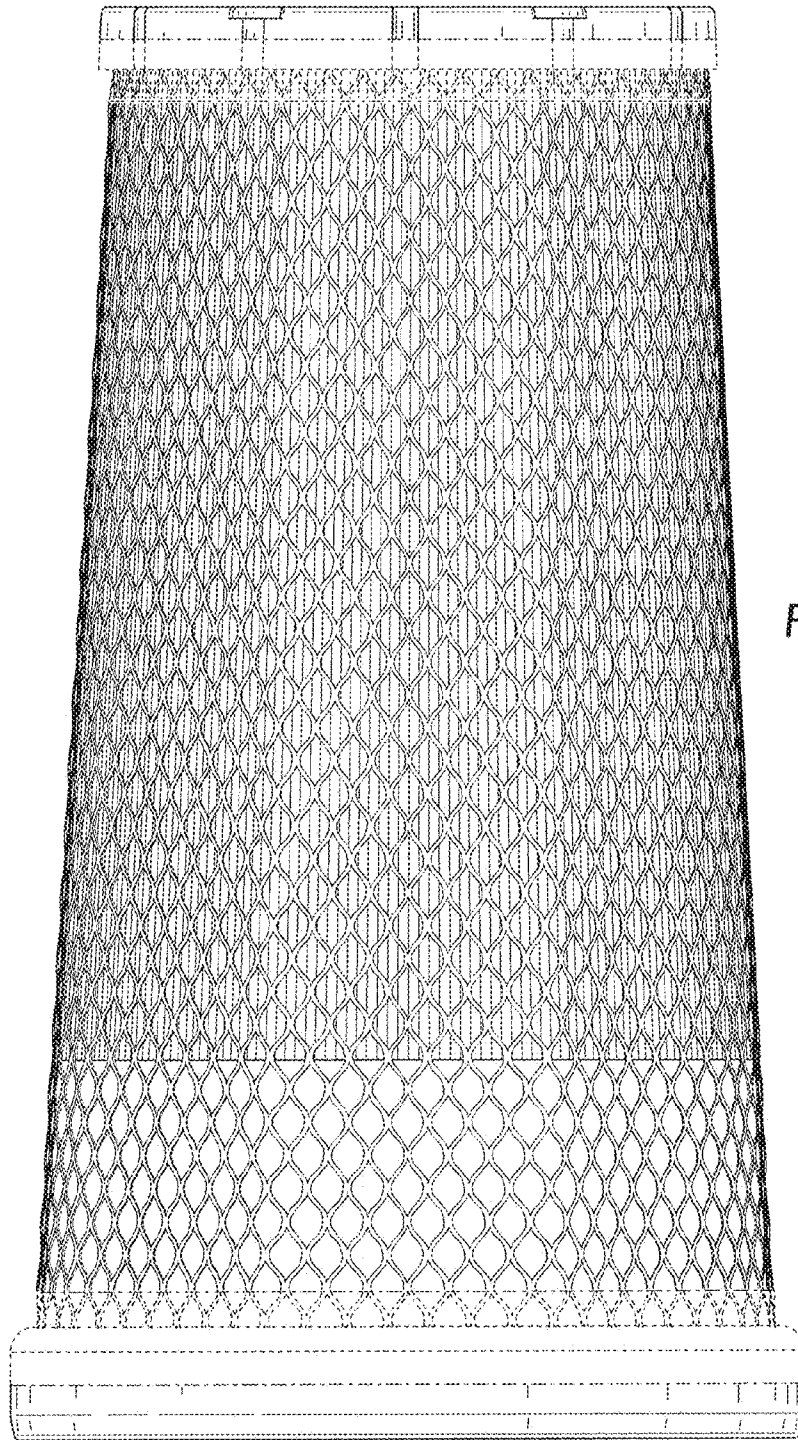


FIG. 8

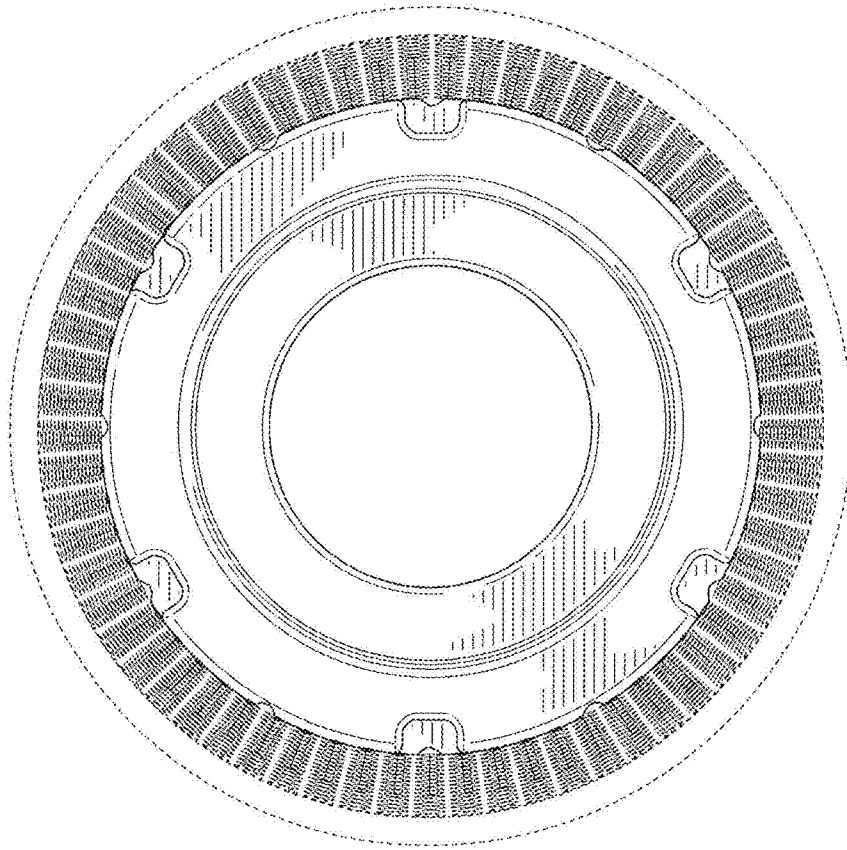


FIG. 9

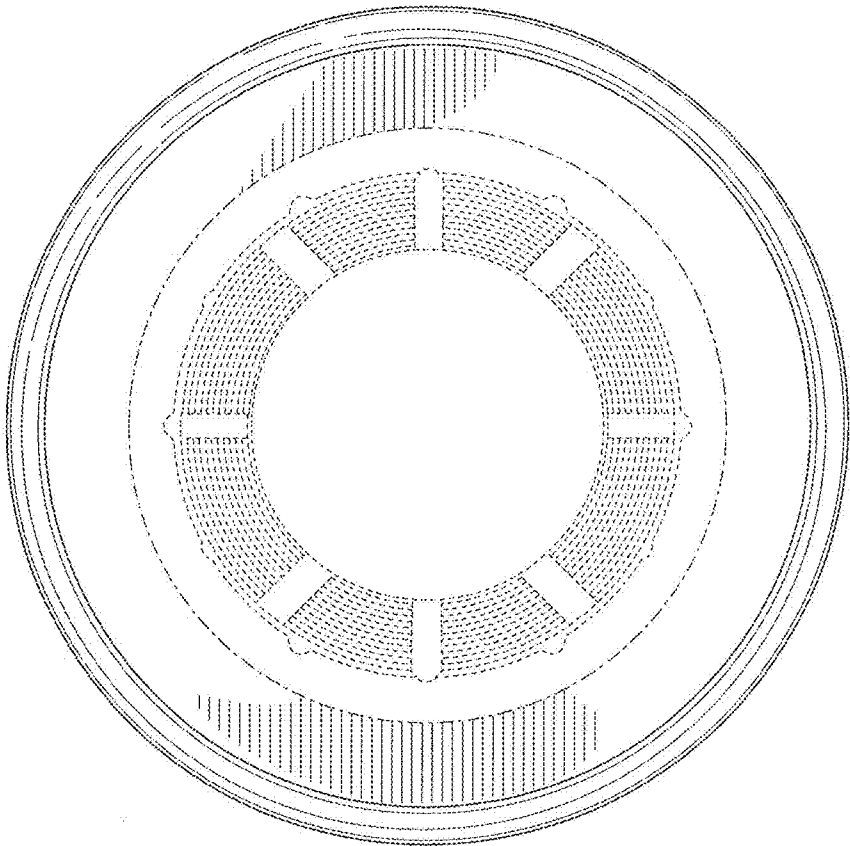


FIG. 10