



US00D488468S

(12) **United States Design Patent**
Hu

(10) **Patent No.:** **US D488,468 S**

(45) **Date of Patent:** **** Apr. 13, 2004**

(54) **PERSONAL DIGITAL ASSISTANT**

(75) **Inventor:** **Hsing-Cheng Hu, Taipei (TW)**

(73) **Assignee:** **First International Computer, Inc., Taipei (TW)**

(**) **Term:** **14 Years**

(21) **Appl. No.:** **29/174,244**

(22) **Filed:** **Jan. 15, 2003**

(51) **LOC (7) Cl. 14-02**

(52) **U.S. Cl. D14/341**

(58) **Field of Search D14/341-346, D14/138; D18/1, 2, 7; D19/59, 60; 345/104, 156, 168, 173, 901, 905; 434/307 R, 308, 309, 317; 178/18.03; 349/12**

(56) **References Cited**

U.S. PATENT DOCUMENTS

D397,679 S * 9/1998 Hawkins et al. D14/342

D456,805 S * 5/2002 Ono et al. D14/342
D466,115 S * 11/2002 Hawkins et al. D14/345
D467,890 S * 12/2002 Lai et al. D14/138

* cited by examiner

Primary Examiner—Freda Nunn

(74) *Attorney, Agent, or Firm*—Bacon & Thomas, PLLC

(57) **CLAIM**

The ornamental design for a personal digital assistant, as shown and described.

DESCRIPTION

FIG. 1 is a perspective view of a personal digital assistant showing my new design.

FIG. 2 is a front elevational view thereof;

FIG. 3 is a rear elevational view thereof;

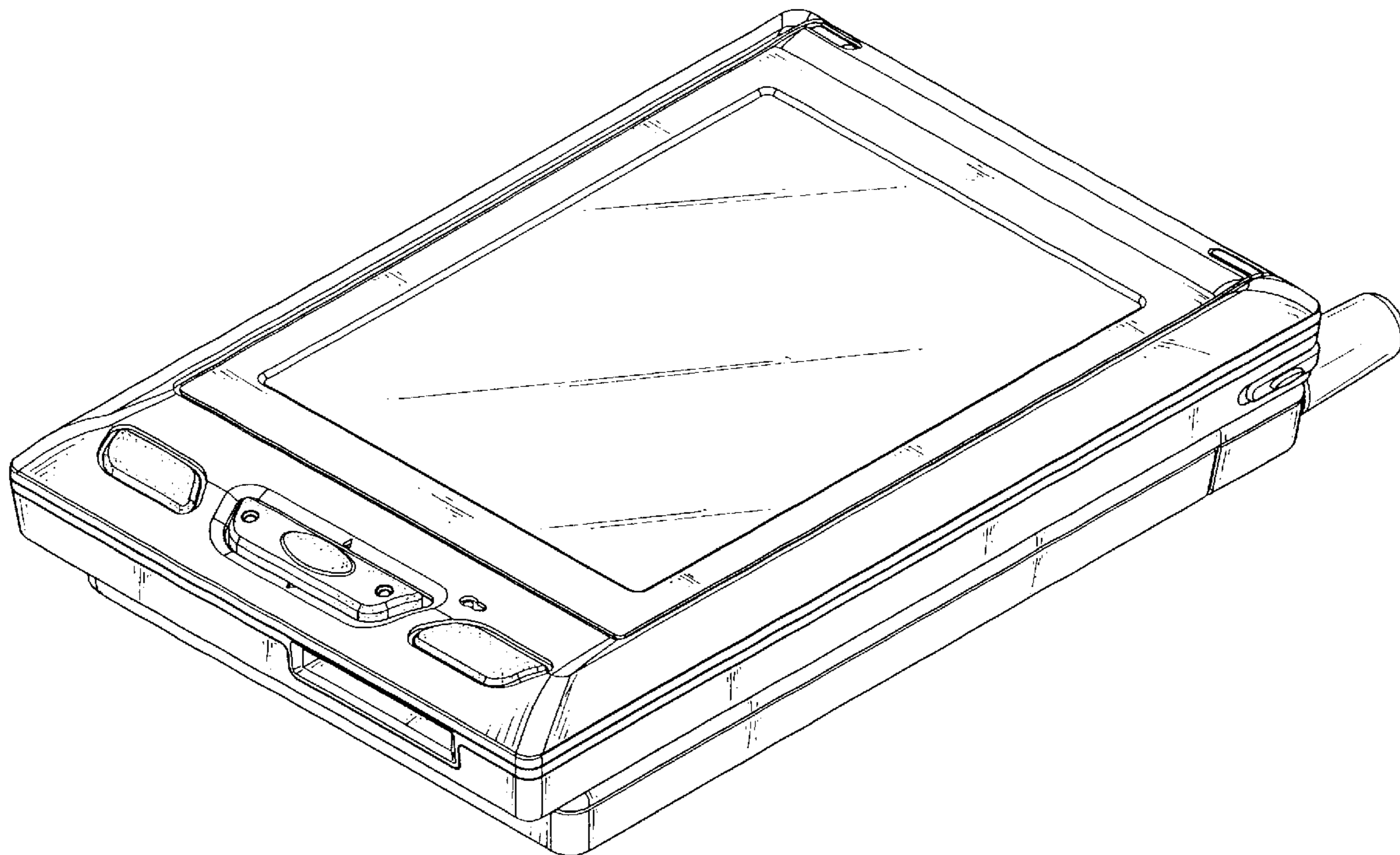
FIG. 4 is a left side elevational view thereof;

FIG. 5 is a right side elevational view thereof;

FIG. 6 is a top plan view thereof; and,

FIG. 7 is a bottom plan view thereof.

1 Claim, 5 Drawing Sheets



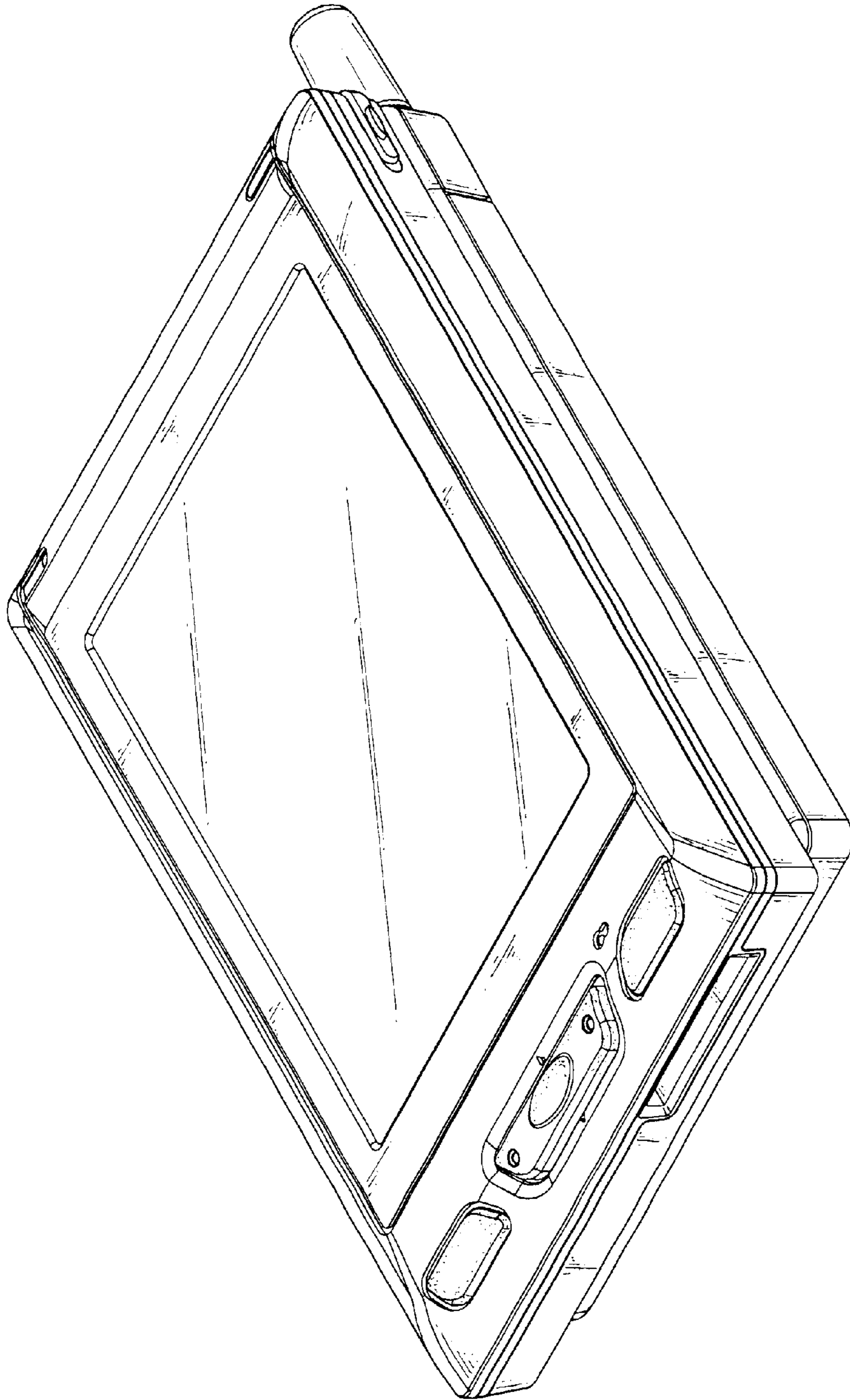


FIG. 1

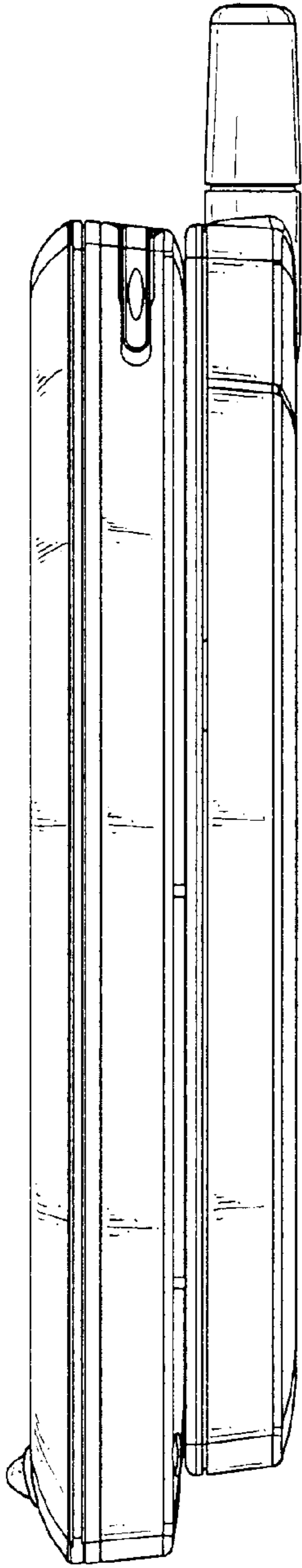


FIG. 2

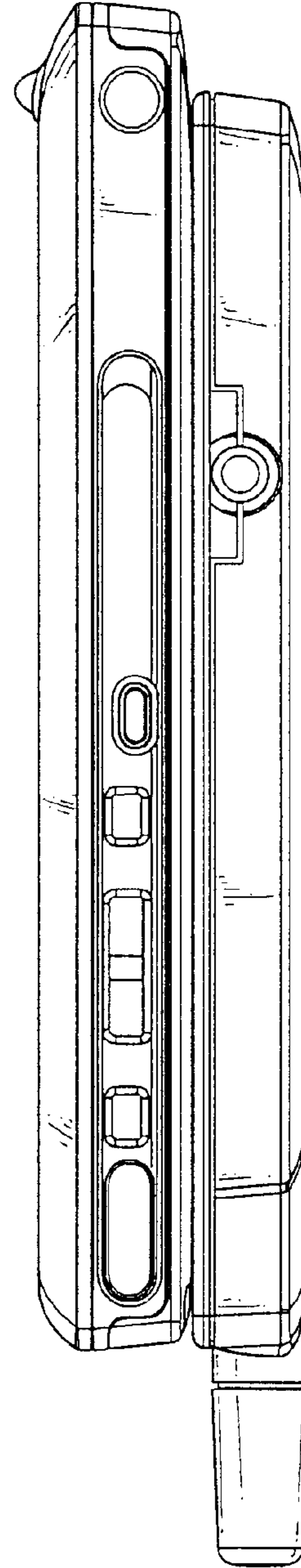


FIG. 3

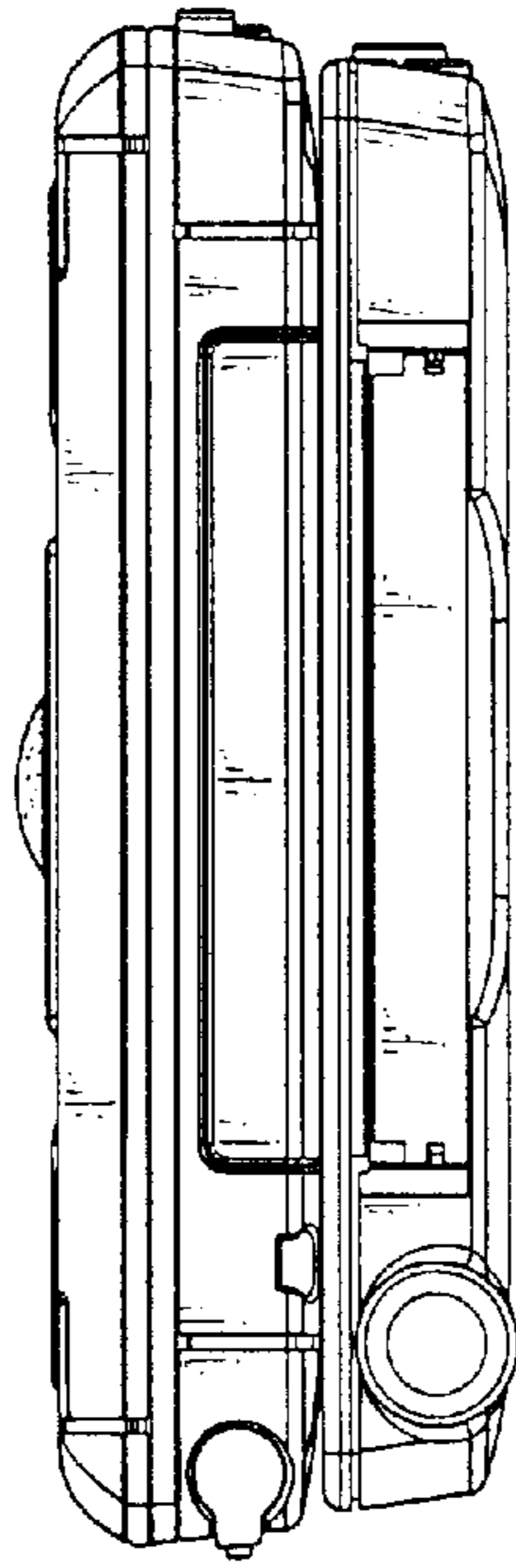


FIG. 5

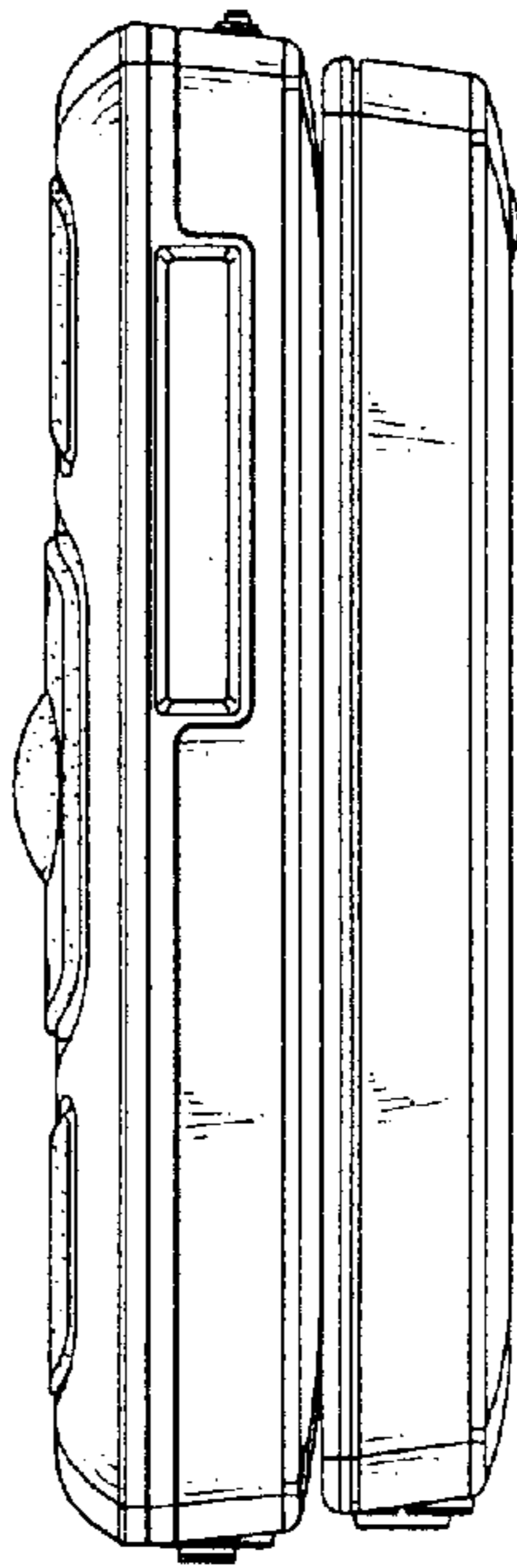


FIG. 4

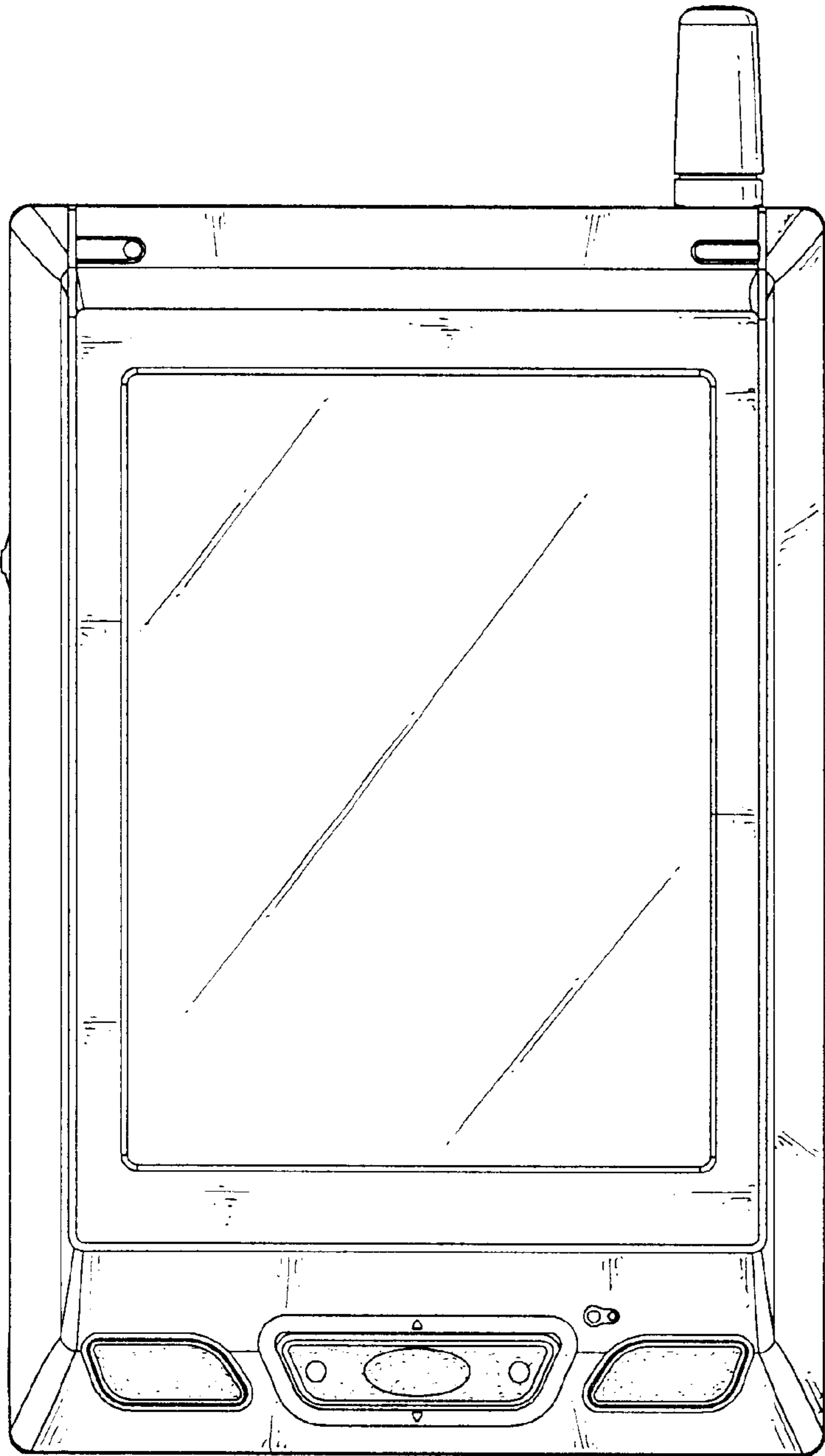


FIG. 6

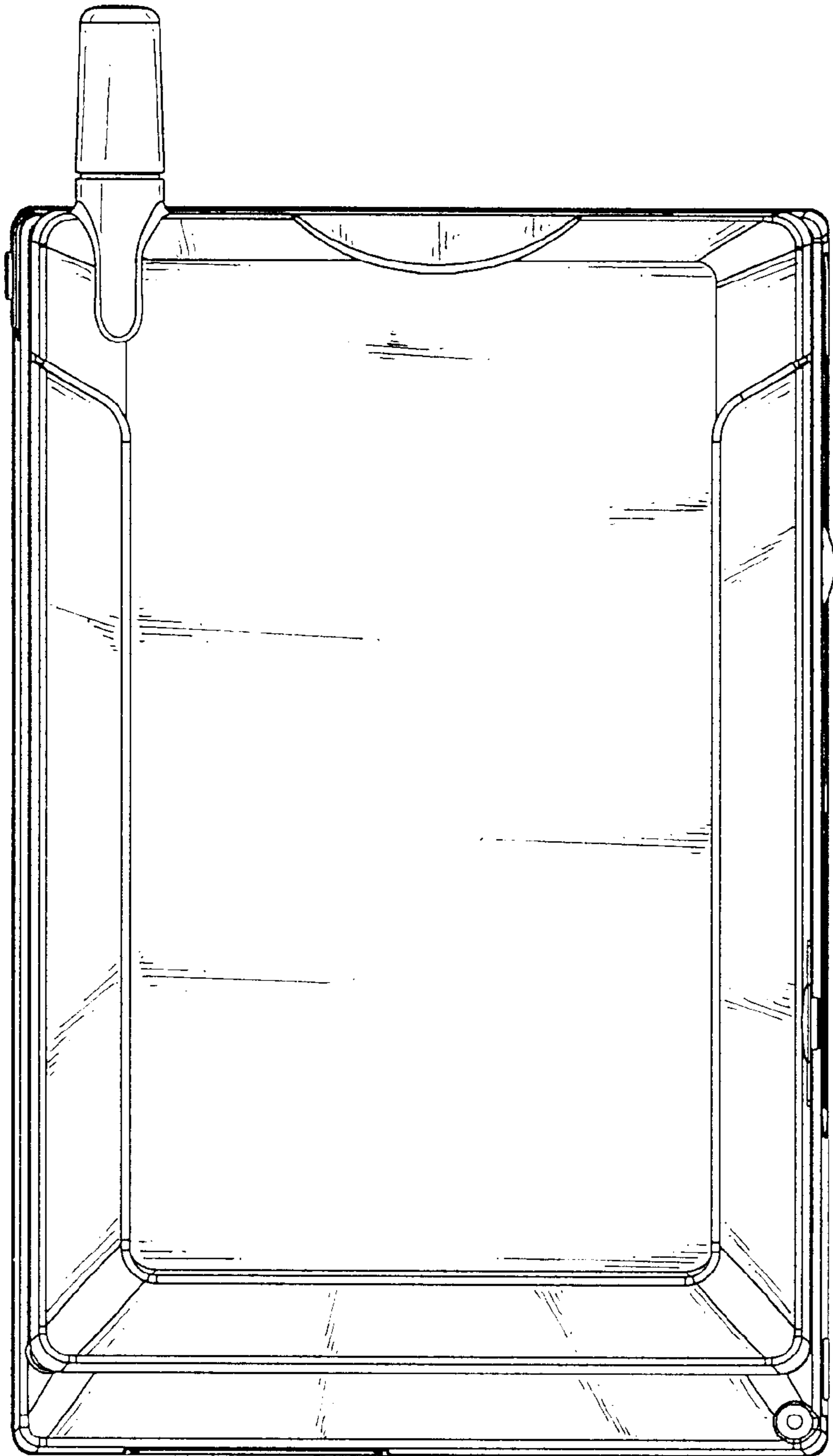


FIG. 7