



US0D1062975S

(12) **United States Design Patent**
Shi

(10) **Patent No.:** **US D1,062,975 S**

(45) **Date of Patent:** **** Feb. 18, 2025**

(54) **ANIMAL REPELLER**

FOREIGN PATENT DOCUMENTS

(71) Applicant: **HANGZHOU SHINEDO TECHNOLOGY CO., LTD.**, Zhejiang (CN)

CN 308612627 S 4/2024
CN 308619301 S 5/2024
EM 015041201-0001 S 11/2023
EM 015041201-0002 S 11/2023

(72) Inventor: **Yinxiao Shi**, Zhejiang (CN)

OTHER PUBLICATIONS

(73) Assignee: **HANGZHOU SHINEDO TECHNOLOGY CO., LTD.**, Zhejiang (CN)

Mole Repellent, Amazon Online Product Page. Earliest Review Date: Oct. 22, 2024. Date Accessed: Dec. 11, 2024. Retrieved from Internet URL: <https://www.amazon.com/Mole-Repellent-Lawns-Ultrasonic-Powered/dp/B0D7VFWYVV?source=> (Year: 2024).*
Solar Mole Repeller, Shinedo Online Product Page. Earliest Publication Date: Dec. 11, 2024. Date Accessed: Dec. 11, 2024. Retrieved from Internet URL: <https://www.shinedolight.com/solar-mole-repeller/outdoor-solar-spiral-mouse-repeller-electronic-mouse-repeller-for-garden-garden-farm-sd-sl500.html> (Year: 2024).*

(**) Term: **15 Years**

(21) Appl. No.: **29/955,179**

(22) Filed: **Jul. 31, 2024**

(51) **LOC (15) Cl.** **22-06**

(52) **U.S. Cl.**
USPC **D22/120**

(58) **Field of Classification Search**
USPC D22/119, 120, 122, 199; D26/67, 68
CPC A01K 15/023; A01M 29/16; A01M 29/18
See application file for complete search history.

* cited by examiner

Primary Examiner — S. Bryan Reinholdt, Jr.
Assistant Examiner — Kaitlan Walker
(74) *Attorney, Agent, or Firm* — ScienBiziP, P.C.

(56) **References Cited**

U.S. PATENT DOCUMENTS

D349,746	S	*	8/1994	DeYoreo	D22/122
D400,635	S	*	11/1998	Kinzler	D22/122
D456,058	S	*	4/2002	Rollins	D22/122
D478,647	S	*	8/2003	McNaughton	D22/122
D585,956	S	*	2/2009	Mezger	D22/120
D639,893	S		6/2011	Feuerstein		
D692,090	S	*	10/2013	Marshall	D22/136
D823,424	S	*	7/2018	Wang	D22/120
D878,287	S	*	3/2020	Shi	D13/102
D962,517	S	*	8/2022	Hu	D26/67
D975,903	S	*	1/2023	Lu	D26/67
D990,414	S	*	6/2023	Zhang	D13/102
D1,002,896	S	*	10/2023	Wu	D26/67
D1,034,883	S		7/2024	Shi		
2024/0164365	A1	*	5/2024	Hu	A01M 29/18

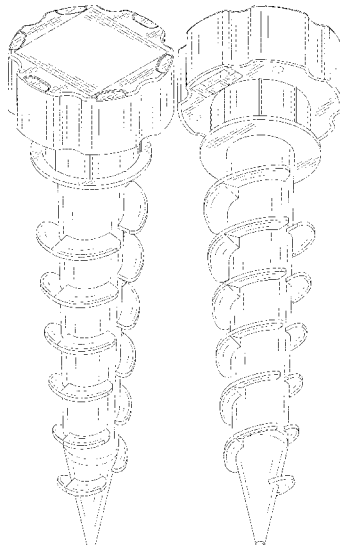
(57) **CLAIM**

The ornamental design for an animal repeller as shown and described.

DESCRIPTION

FIG. 1 is a front, right and top perspective view of a first embodiment of an animal repeller, showing my design. FIG. 2 is a rear, left and bottom perspective view thereof. FIG. 3 is a front elevation view thereof. FIG. 4 is a rear elevation view thereof. FIG. 5 is a left side elevation view thereof. FIG. 6 is a right side elevation view thereof. FIG. 7 is a top plan view thereof; and, FIG. 8 is a bottom plan view thereof. The dashed broken lines depict portions of the animal repeller that form no part of the claimed design.

1 Claim, 8 Drawing Sheets



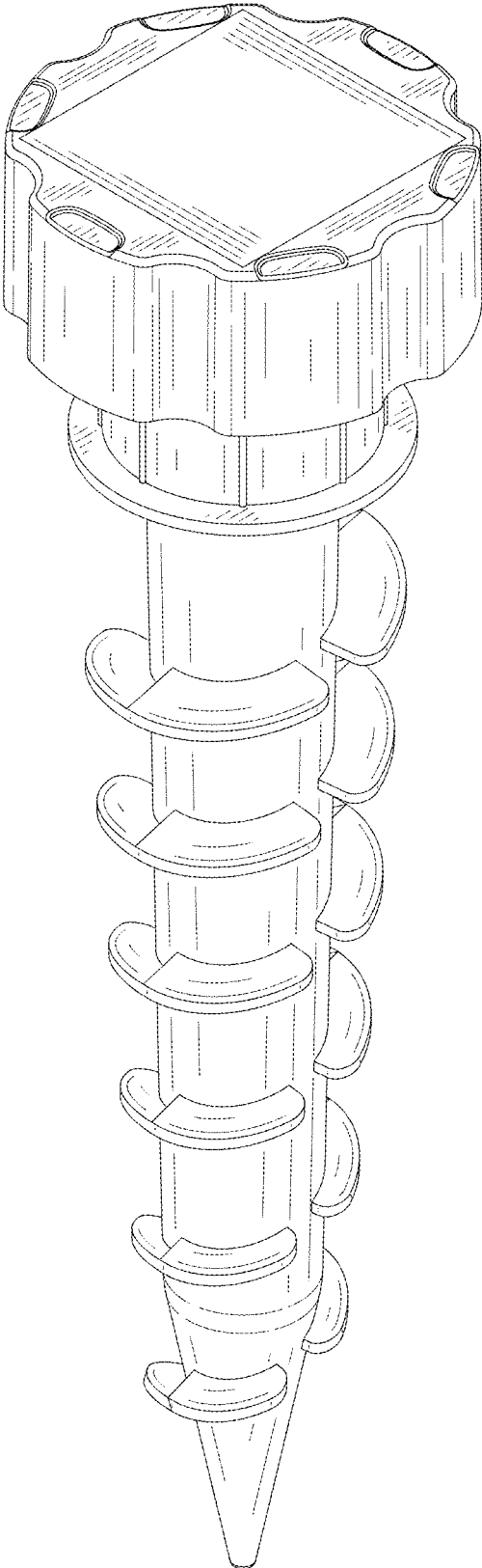


FIG. 1

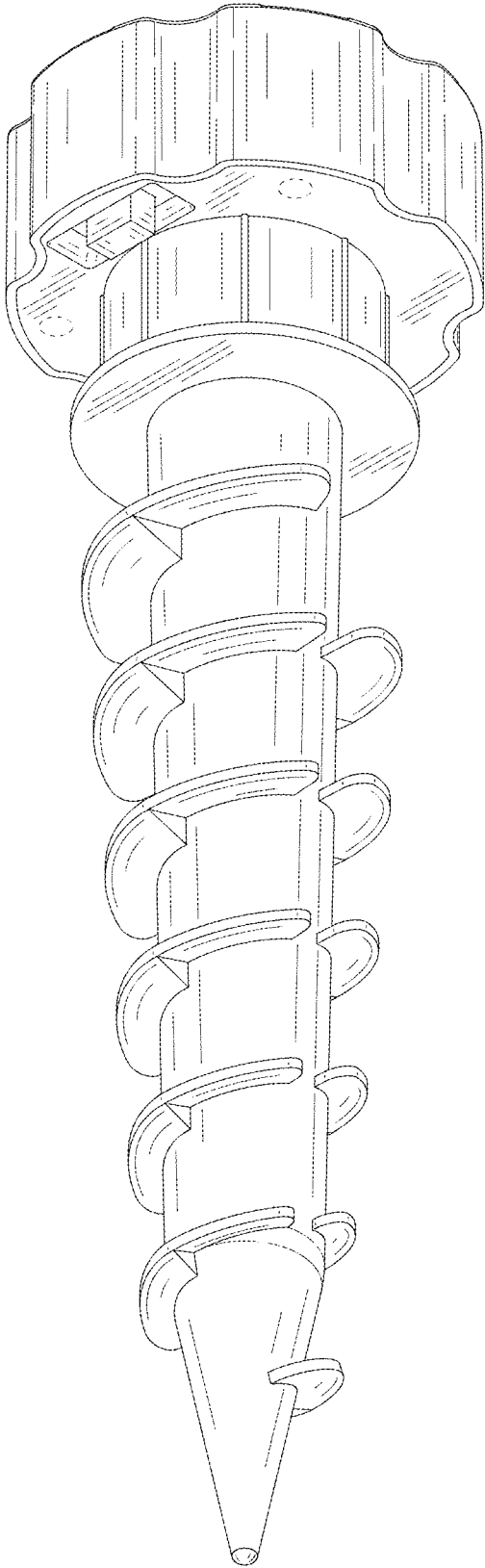


FIG. 2

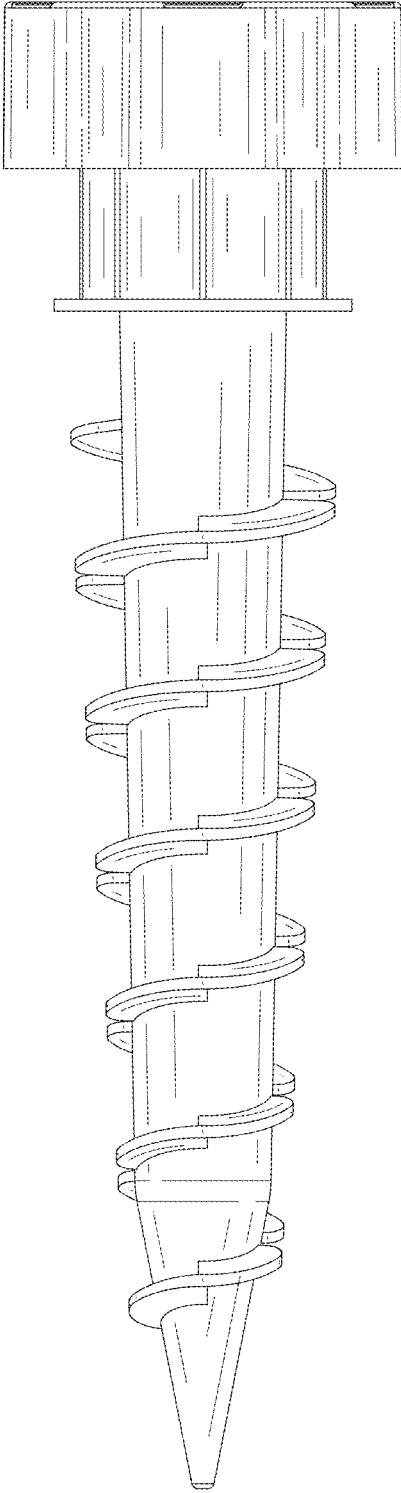


FIG. 3

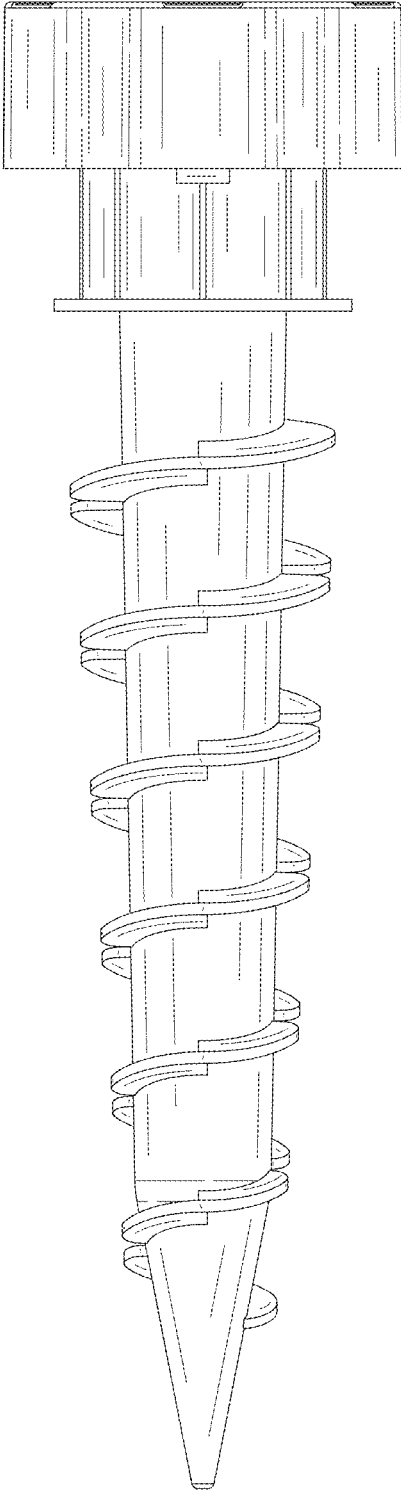


FIG. 4

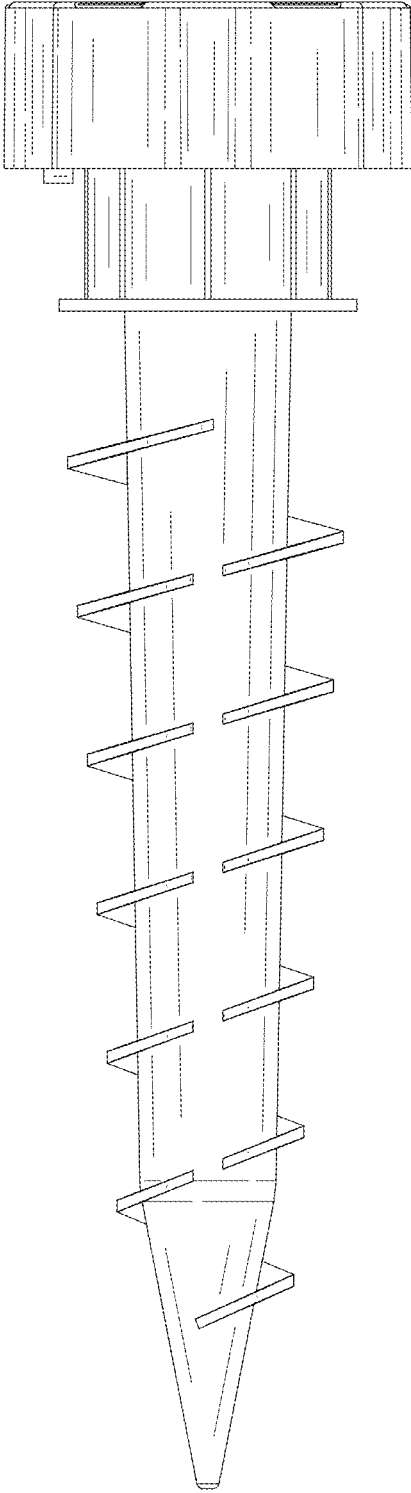


FIG. 5

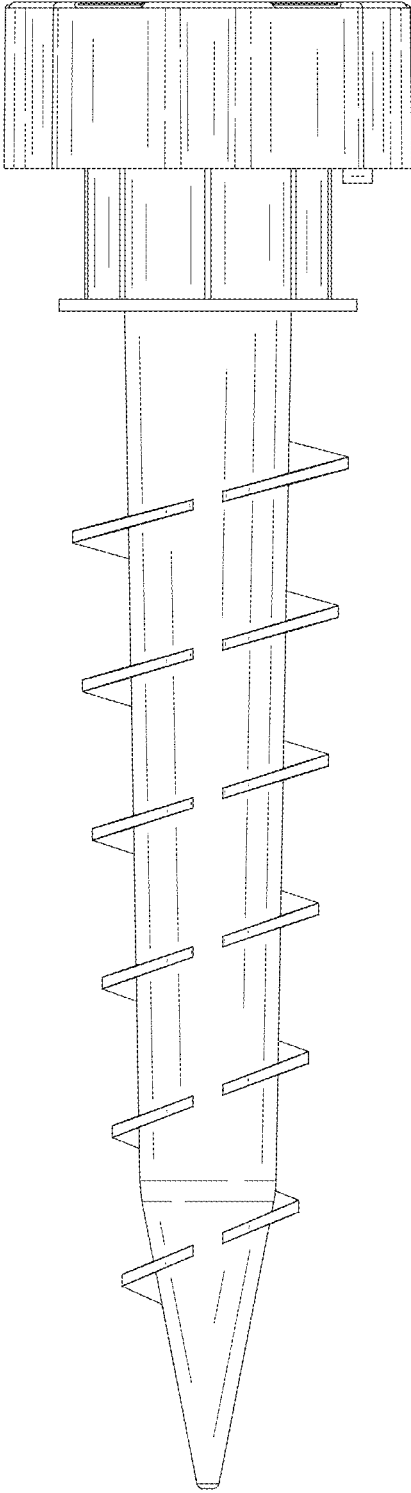


FIG. 6

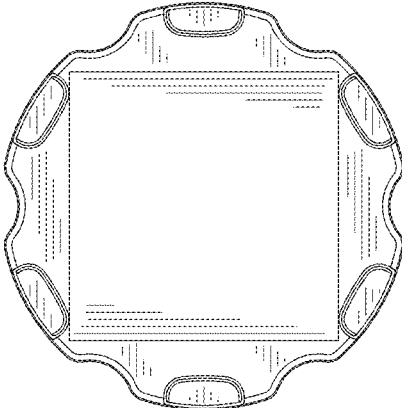


FIG. 7

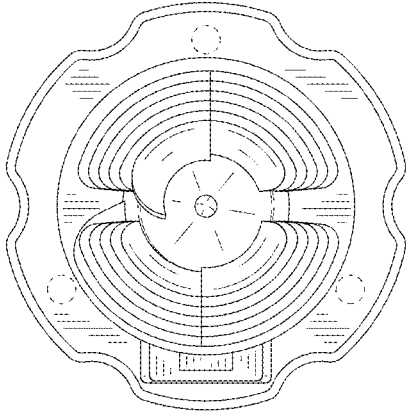


FIG. 8