



US0D1041259S

(12) **United States Design Patent**
Zhou

(10) **Patent No.:** **US D1,041,259 S**

(45) **Date of Patent:** **** Sep. 10, 2024**

(54) **BEVERAGE CONTAINER**

FOREIGN PATENT DOCUMENTS

(71) Applicant: **Putian Qushi Xiangshang Science and Technology Co., Ltd.**, Putian (CN)

CA 152541 * 8/2014
CA 184376 * 2/2019

(Continued)

(72) Inventor: **Chaoqiang Zhou**, Putian (CN)

OTHER PUBLICATIONS

(73) Assignee: **Putian Qushi Xiangshang Science and Technology Co., Ltd.**

Meoky mug, Aug. 31, 2022, <https://www.amazon.com/Meoky-Insulated-Stainless-Cupholder-Friendly/dp/B0BCKBYPW1> (Year: 2022).*

(Continued)

(**) Term: **15 Years**

(21) Appl. No.: **29/935,108**

(22) Filed: **Mar. 29, 2024**

Primary Examiner — Brett Miller

Assistant Examiner — Nader Abadir

(51) **LOC (14) Cl.** **07-01**

(74) *Attorney, Agent, or Firm* — Jose Cherson Weissbrot

(52) **U.S. Cl.** **D7/536**

(57) **CLAIM**

The ornamental design for a beverage container, as shown and described.

(58) **Field of Classification Search**

DESCRIPTION

USPC D7/300.1, 392.1, 396.1, 396.2, 507, 509, D7/510, 611, 523, 532, 533, 536, 598, D7/600, 608, 900; D9/443, 446, 449

FIG. 1 is a front, left, top perspective view of a beverage container, showing my new design;

FIG. 2 is a rear, right, bottom perspective view thereof;

FIG. 3 is a front elevational view thereof;

FIG. 4 is a rear elevational view thereof;

FIG. 5 is a left side view thereof;

FIG. 6 is a right side view thereof;

FIG. 7 is a top plan view of enlarged scale thereof;

FIG. 8 is a bottom plan view of enlarged scale thereof;

FIG. 9 is an enlarged view of detail 9 in FIG. 1;

FIG. 10 is an enlarged view of detail 10 in FIG. 2;

FIG. 11 is an enlarged view of detail 11 in FIG. 4; and,

FIG. 12 is an enlarged view of detail 12 in FIG. 7.

The dashed broken lines in the figures illustrate portions of the beverage container that form no part of the claimed design.

The dash-dot-dash broken lines are for notating enlarged views and form no part of the claimed design.

CPC A47G 19/2205; A47G 23/16; A47G 19/2272; A47J 41/00; A47J 41/02; A47J 41/0088; A47J 41/0077; Y10S 220/903; B65D 21/02; B65D 43/00; B65D 41/00

See application file for complete search history.

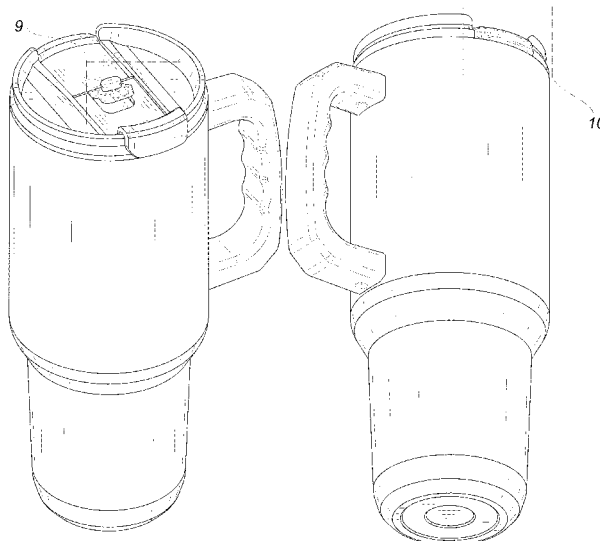
(56) **References Cited**

U.S. PATENT DOCUMENTS

D346,933	S	*	5/1994	Denny	D7/536
D362,369	S	*	9/1995	Bridges	D7/536
D417,365	S	*	12/1999	Huang	D7/536
D436,294	S	*	1/2001	Marck	D7/536
D493,333	S	*	7/2004	Bydalek	D7/536
D539,609	S	*	4/2007	Ying	D7/533
D555,430	S	*	11/2007	Tien	D7/532
D659,474	S		5/2012	Wahl et al.		
D667,272	S	*	9/2012	Fishman	D7/532
D808,218	S	*	1/2018	Seiders	D7/510

(Continued)

1 Claim, 12 Drawing Sheets



(56)

References Cited

U.S. PATENT DOCUMENTS

D813,605	S	*	3/2018	Seiders	D7/532
D814,242	S	*	4/2018	Seiders	D7/532
D814,870	S	*	4/2018	Spivey	D7/533
D825,993	S	*	8/2018	Sadhvani	D7/536
D833,817	S		11/2018	Sletten	
D886,526	S	*	6/2020	Seiders	D7/510
D899,190	S		10/2020	Jacobsen	
D915,827	S		4/2021	Fang	
D943,354	S		2/2022	Powell et al.	
D964,102	S	*	9/2022	Jenkins	D7/510
D977,912	S	*	2/2023	Jenkins	D7/536
11,589,695	B2	*	2/2023	Spivey	B65D 43/16
D982,973	S		4/2023	Jenkins et al.	
D982,982	S		4/2023	Jenkins et al.	

FOREIGN PATENT DOCUMENTS

GB	8207097000-1000	*	3/2020
GB	6337103	*	1/2024
WO	D235593-002	*	3/2024

OTHER PUBLICATIONS

Konokyo mug, Jul. 1, 2023, <https://www.amazon.com/Konokyo-Tumbler-Insulated-Stainless-Reusable/dp/B0C3VJXR7R> (Year: 2023).*

Yeti mug, Jul. 10, 2022, <https://www.amazon.com/YETI-Rambler-Stainless-Insulated-Stronghold/dp/B0B3SHFPB6> (Year: 2022).*

Albor mug, Feb. 13, 2020, <https://www.amazon.com/ALBOR-Insulated-Stainless-Tumbler-Glitter/dp/B082D127V5> (Year: 2020).*

Gudemao mug, Oct. 20, 2023, <https://www.amazon.com/GUDEMAO-Tumbler-Stainless-Insulated-Leakproof/dp/B0CLGCCV5D> (Year: 2023).*

Crave mug, Oct. 12, 2023, <https://www.amazon.com/Crave-Cups-Insulated-Stainless-Cupholder/dp/B0CKWR3WD8> (Year: 2023).*

* cited by examiner



FIG. 1

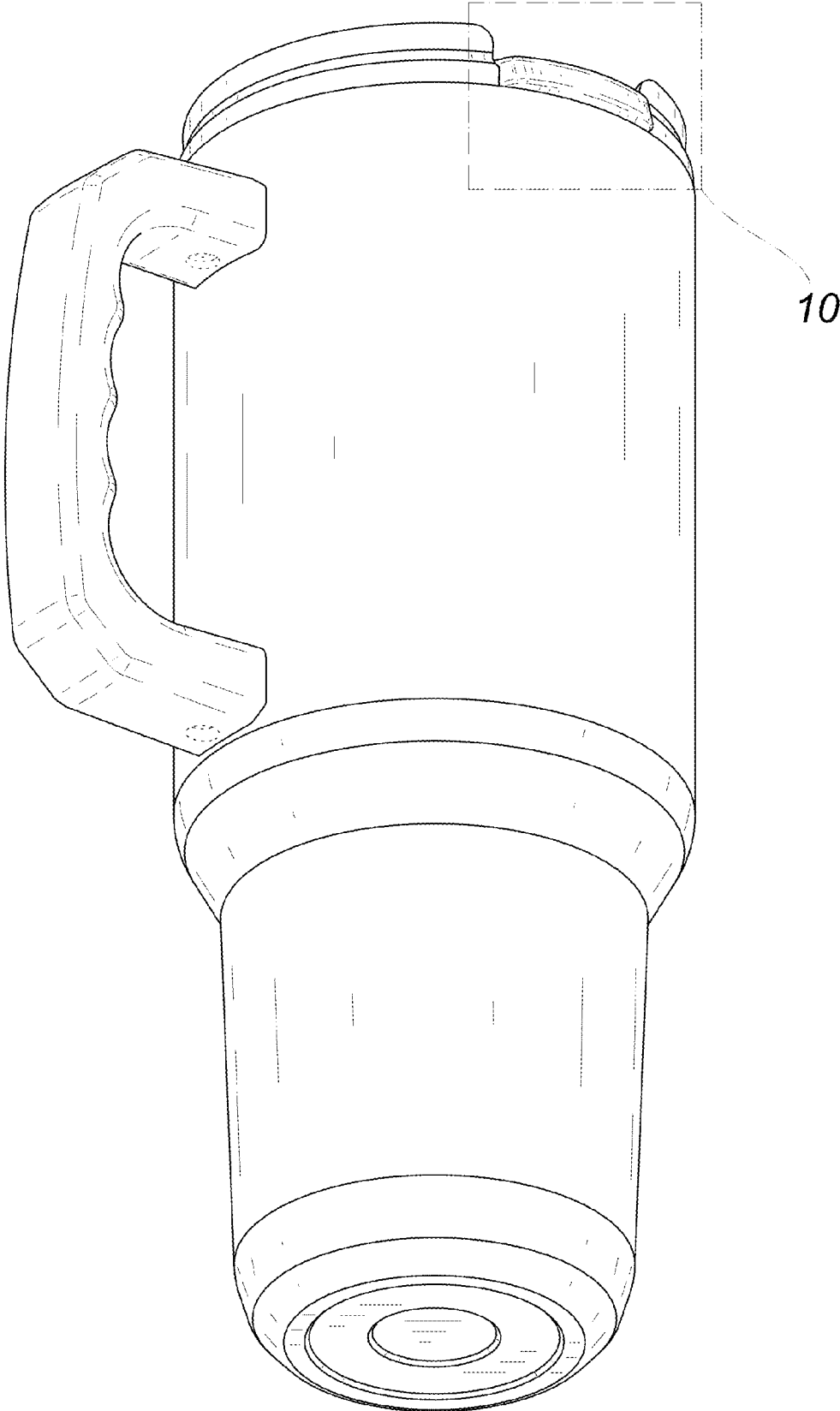


FIG.2

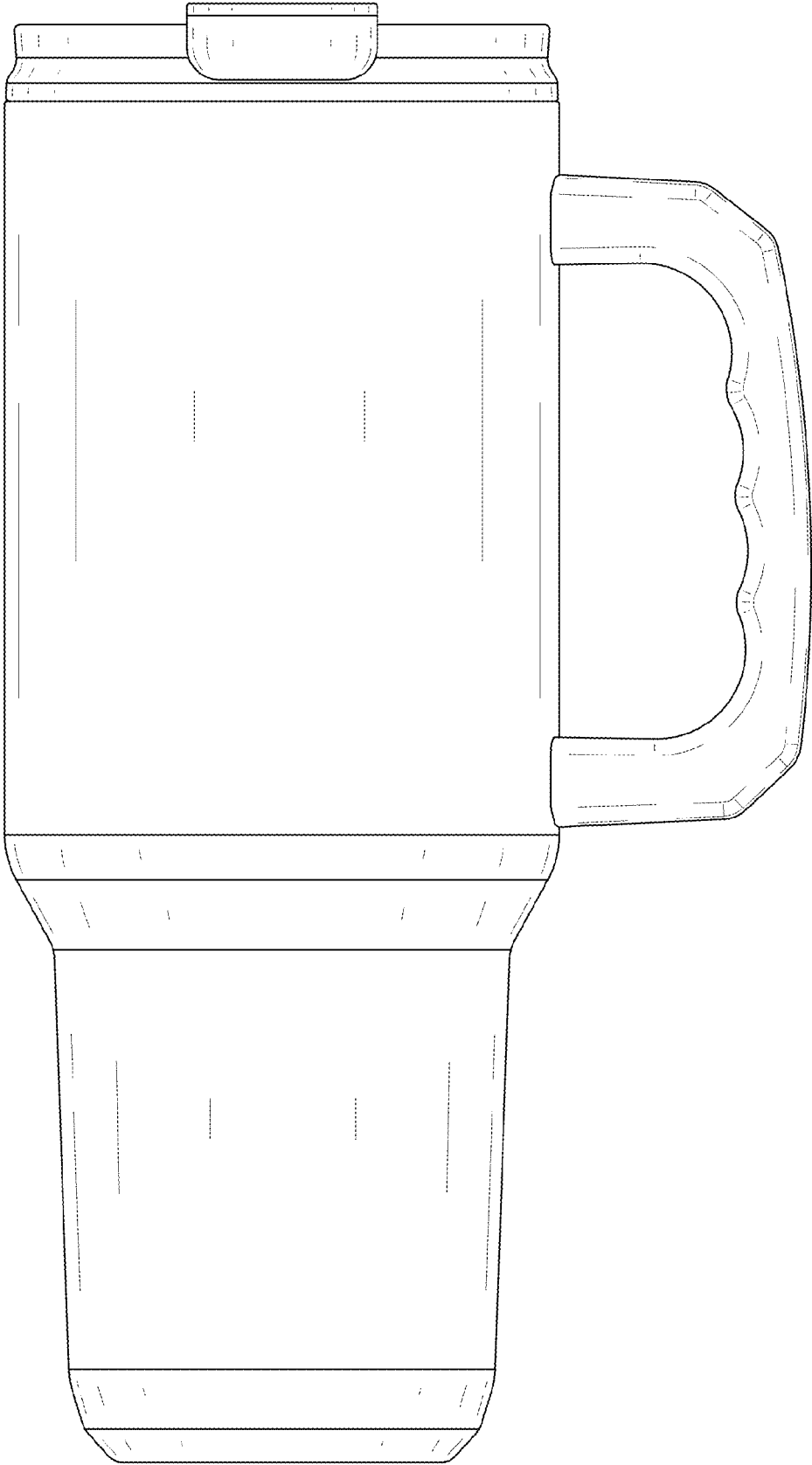


FIG. 3

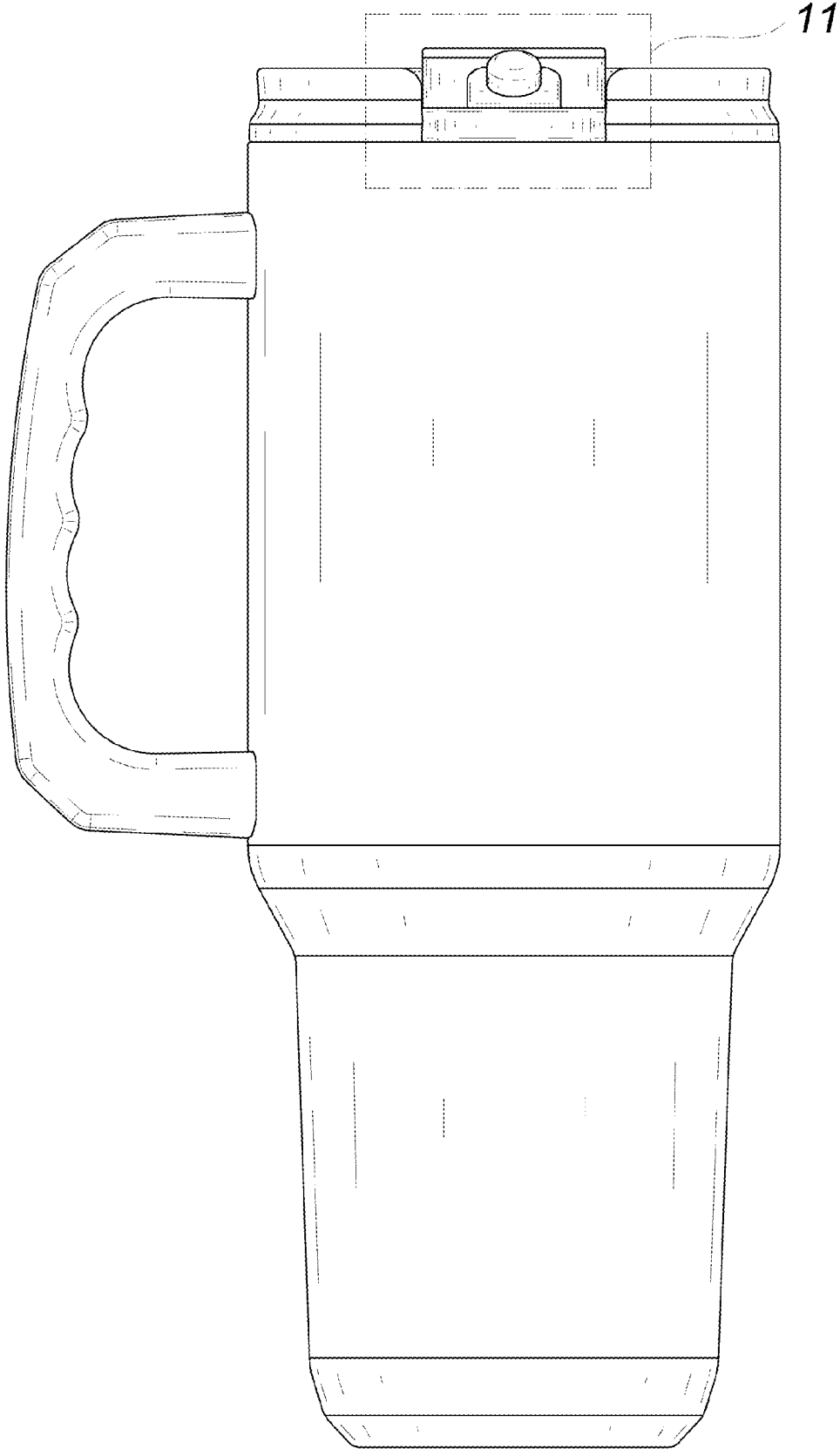


FIG. 4

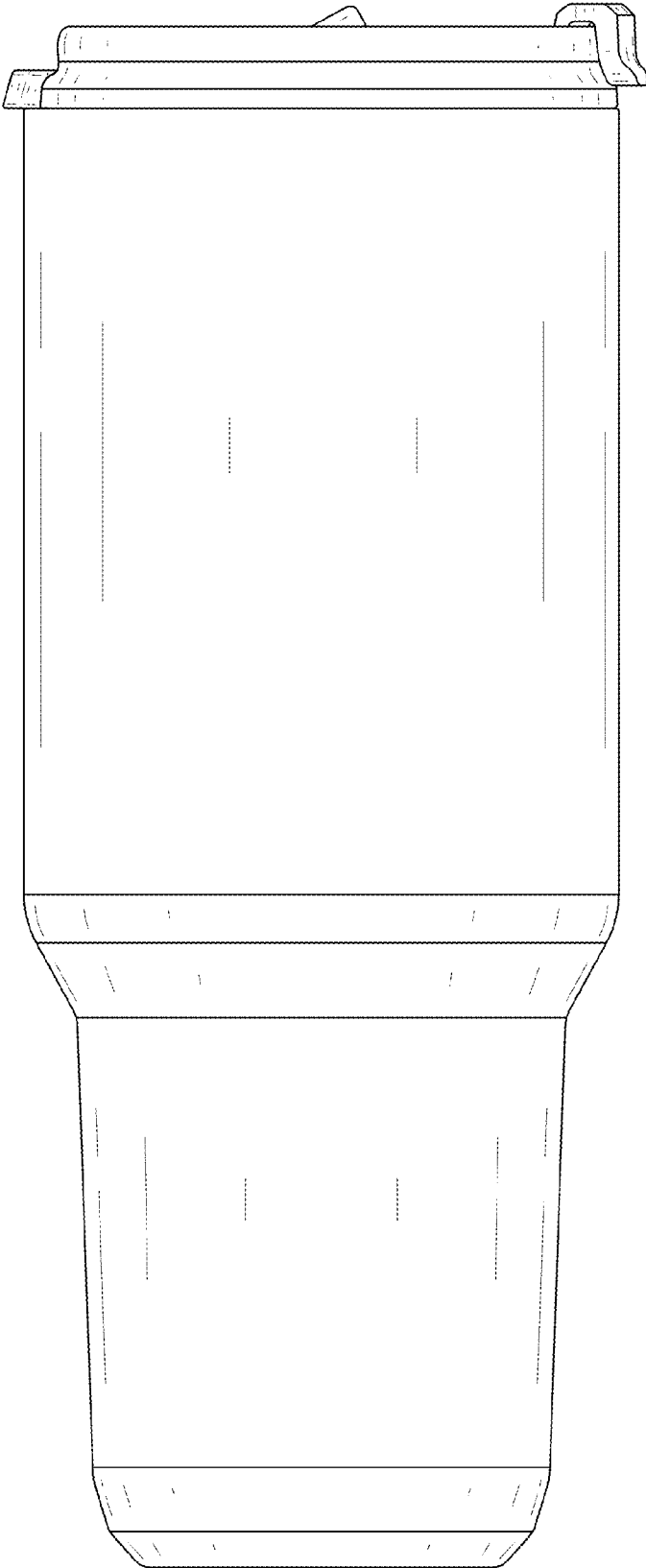


FIG. 5

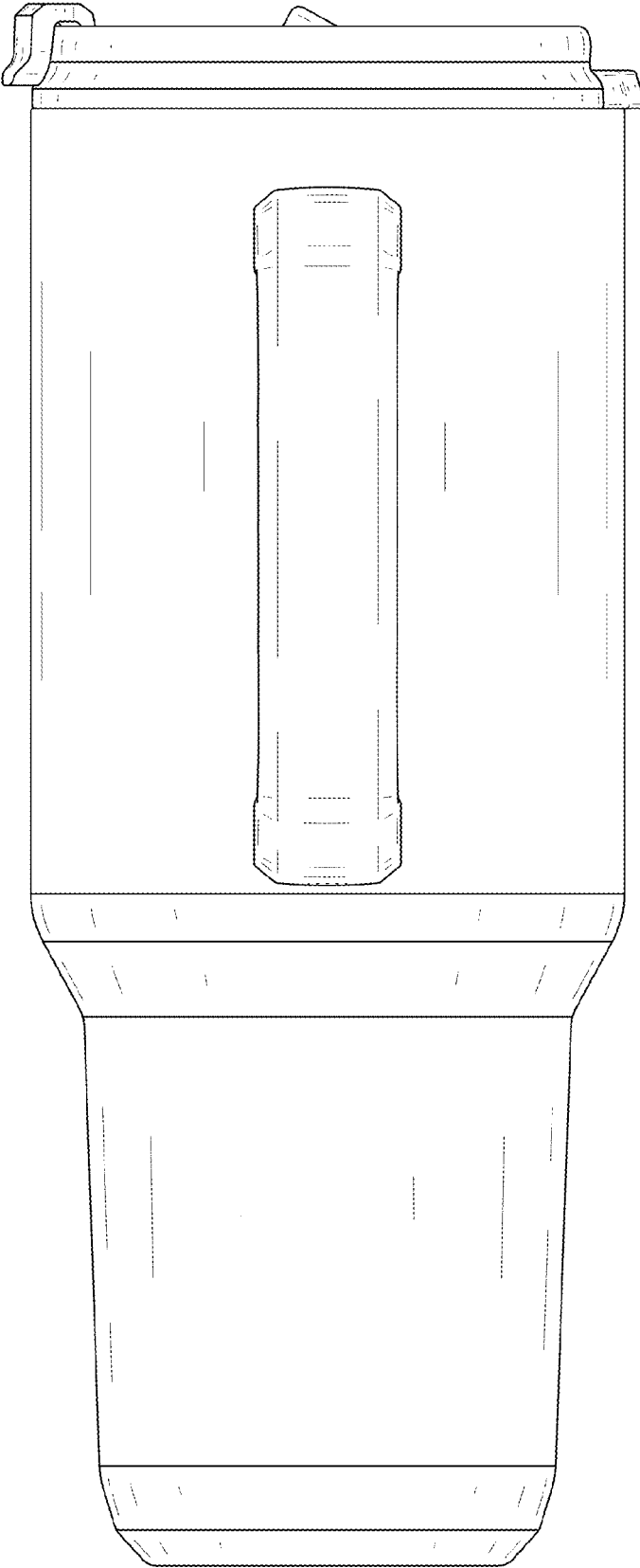


FIG.6

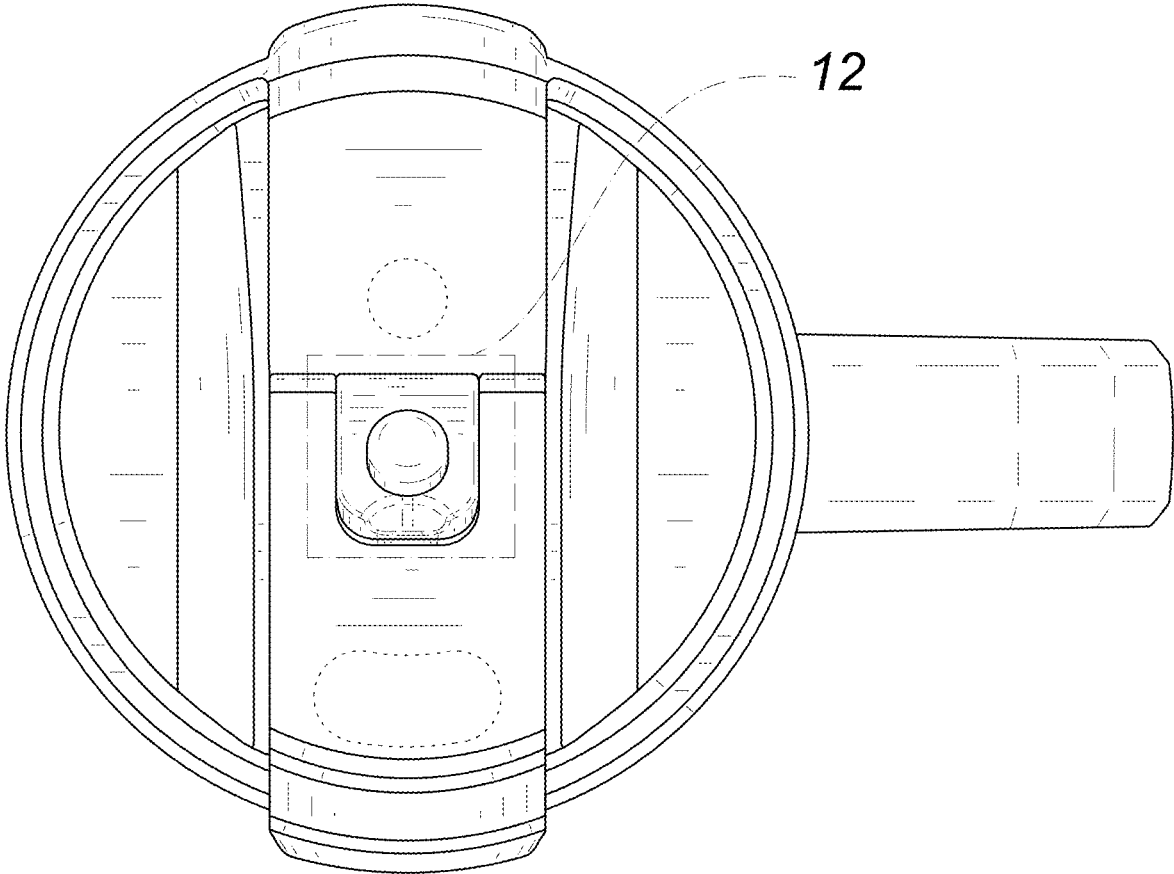


FIG. 7

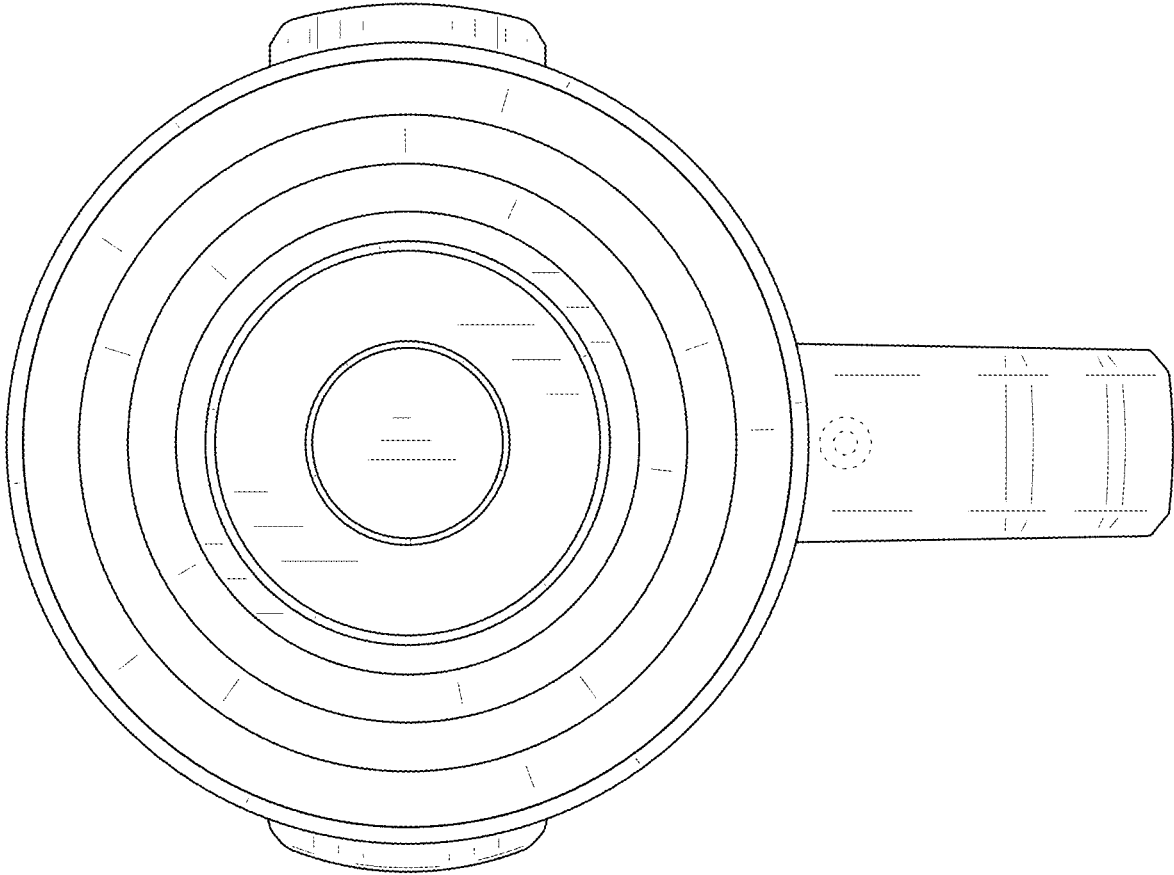


FIG. 8

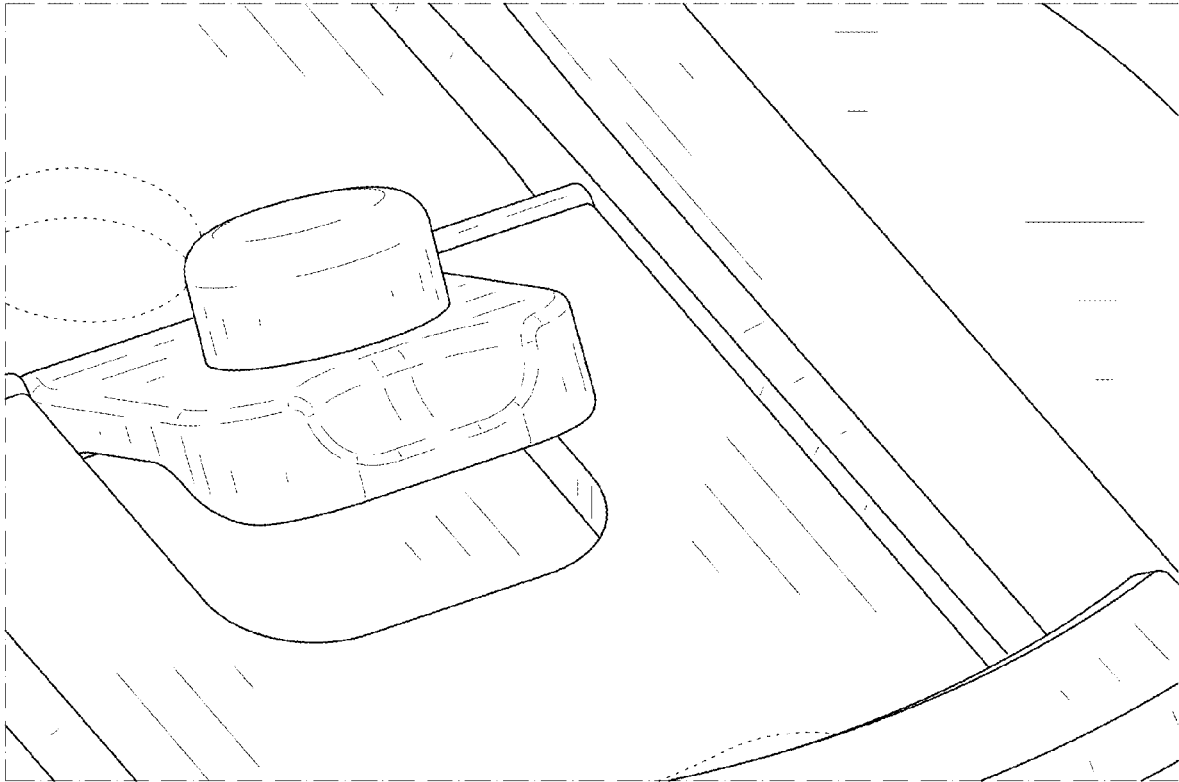


FIG.9

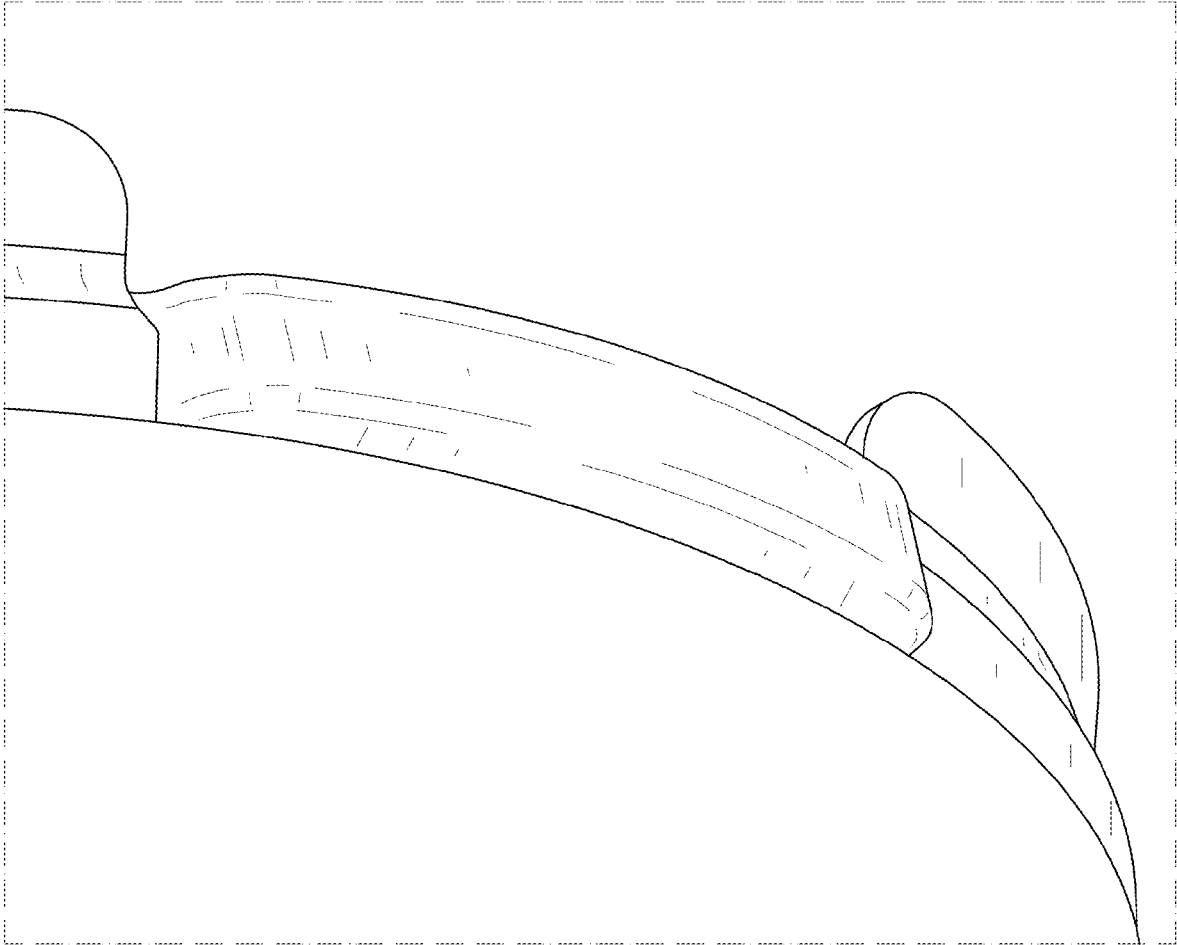


FIG. 10

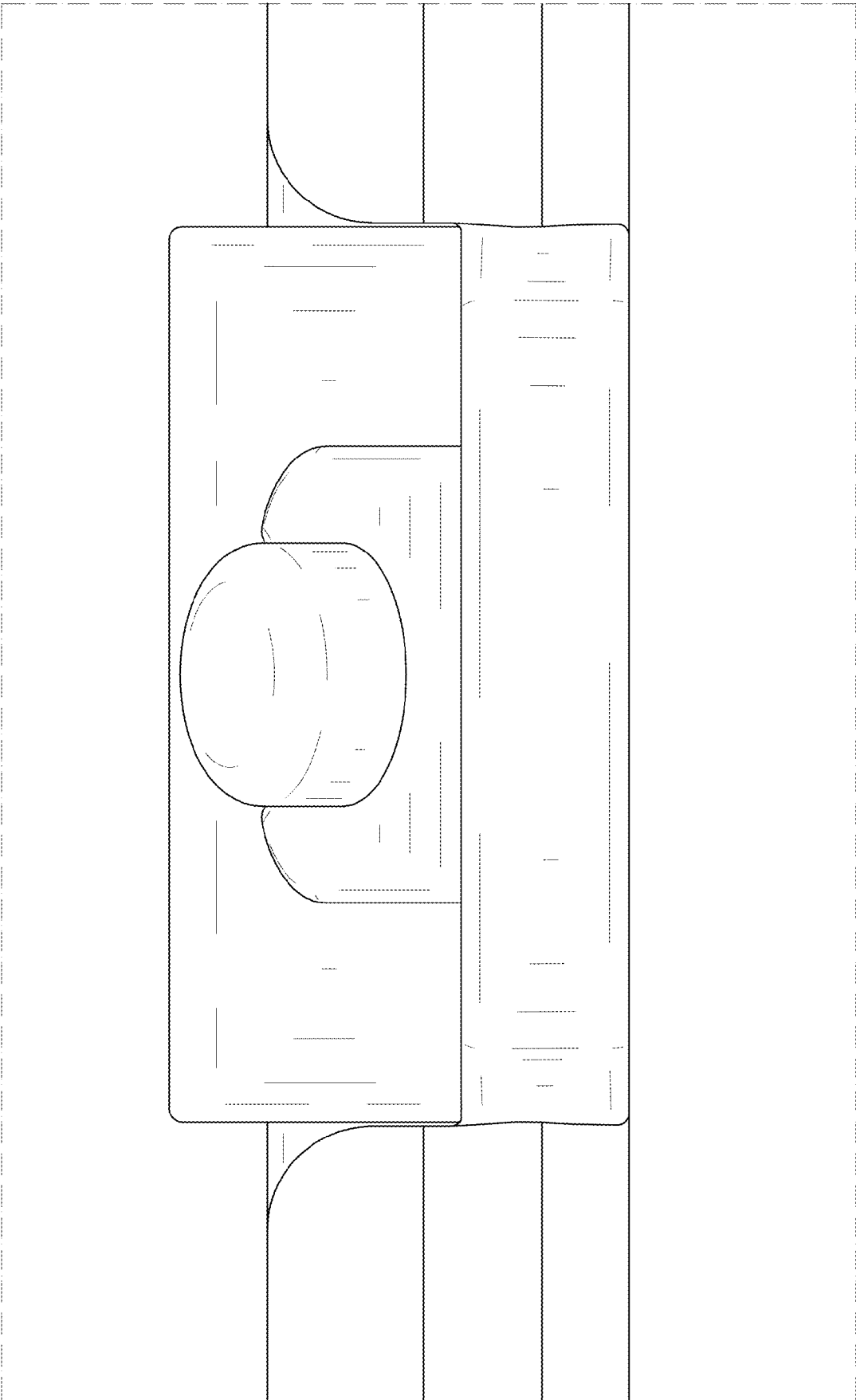


FIG. 11

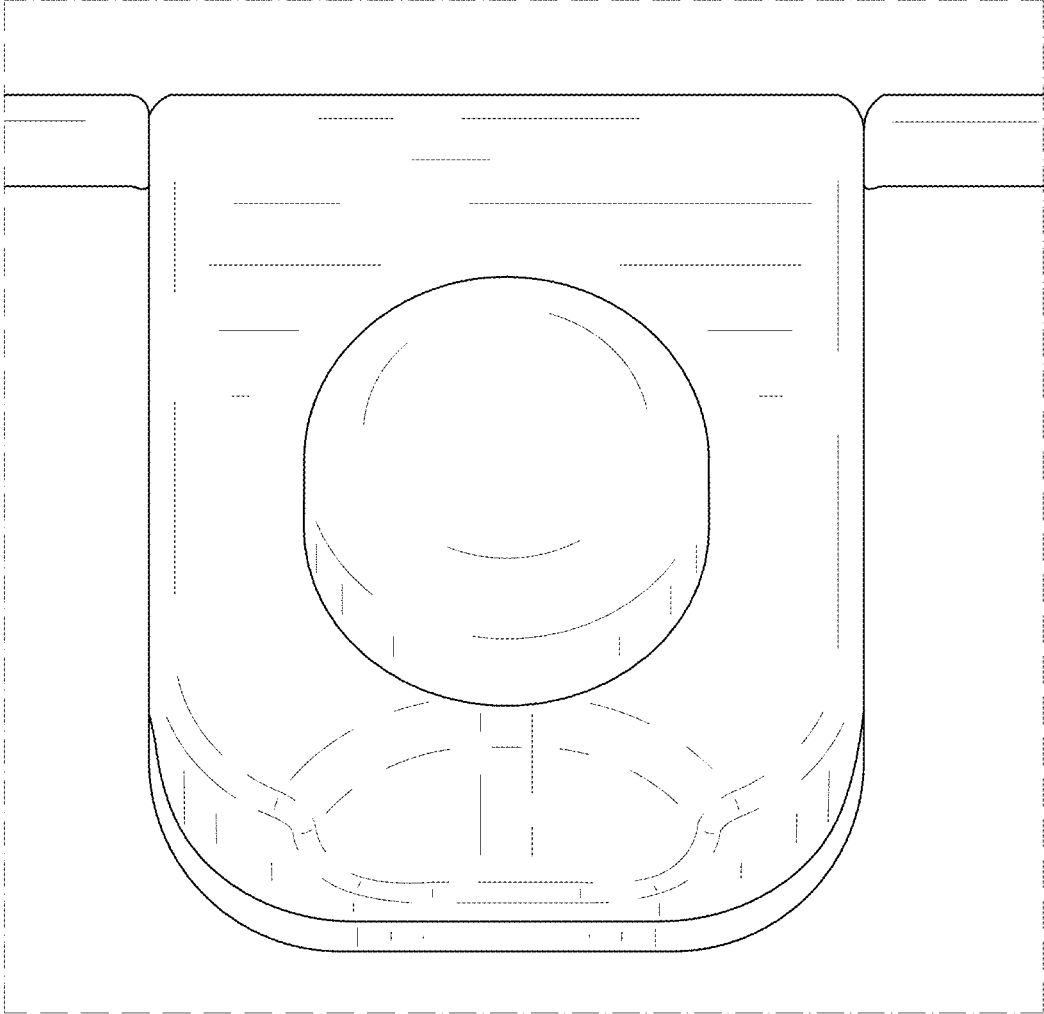


FIG. 12