

[54] INK RIBBON CASSETTE FOR A PRINTER

[75] Inventor: Katsuhisa Gokita, Tokyo, Japan

[73] Assignee: Seikosha Co., Ltd., Japan

[**] Term: 14 Years

[21] Appl. No.: 172,124

[22] Filed: Mar. 23, 1988

[30] Foreign Application Priority Data

Oct. 15, 1987 [JP] Japan 62-42114

[52] U.S. Cl. D18/12; D18/22

[58] Field of Search D18/12, 22, 99;
400/191-196, 208

[56] References Cited

U.S. PATENT DOCUMENTS

4,269,520	5/1981	Gabler	400/196
4,279,522	7/1981	Yonkers	400/195 X
4,801,215	1/1989	Paffhausen et al.	400/208 X

FOREIGN PATENT DOCUMENTS

0010480	1/1986	Japan	400/208
0228978	10/1986	Japan	400/196.1

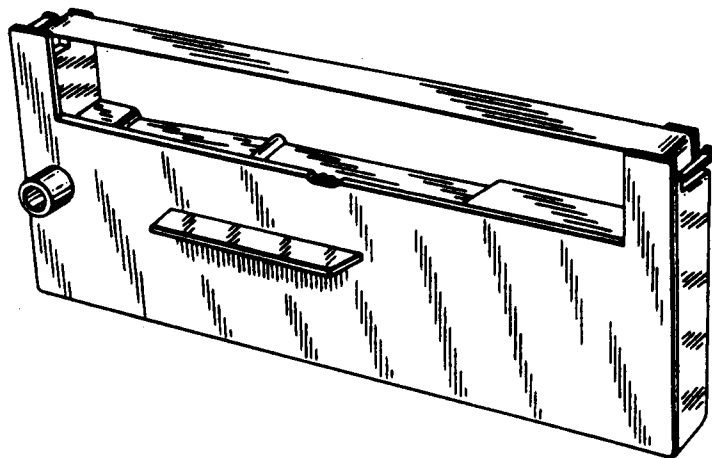
Primary Examiner—Nelson C. Holtje
Assistant Examiner—Caron D. Veynar
Attorney, Agent, or Firm—Bruce L. Adams; Van C. Wilks

[57] CLAIM

The ornamental design for an ink ribbon cassette for a printer, as shown and described.

DESCRIPTION

FIG. 1 is a front elevational view of an ink ribbon cassette for a printer showing my new design; FIG. 2 is a rear elevational view thereof; FIG. 3 is a top plan view thereof; FIG. 4 is a bottom plan view thereof; FIG. 5 is a left side elevational view thereof; FIG. 6 is a right side elevational view thereof; and FIG. 7 is a front and right top perspective view thereof.



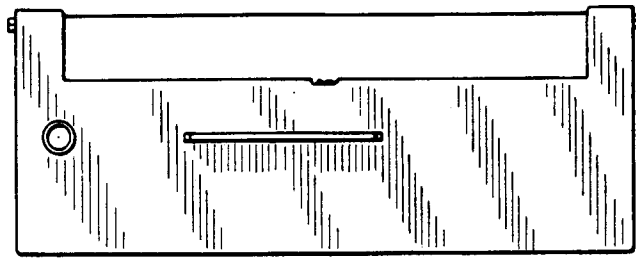


FIG. 1

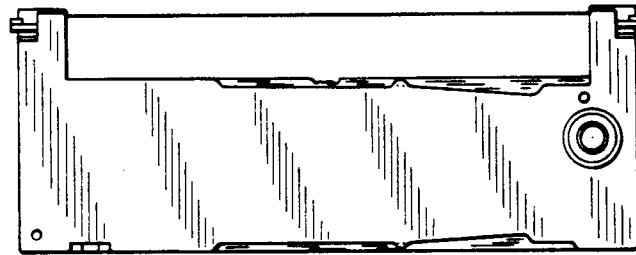


FIG. 2

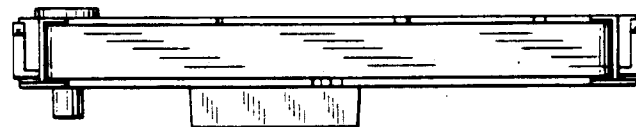


FIG. 3

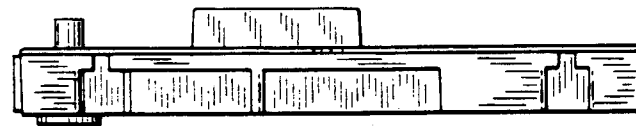


FIG. 4

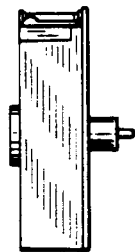


FIG. 5



FIG. 6

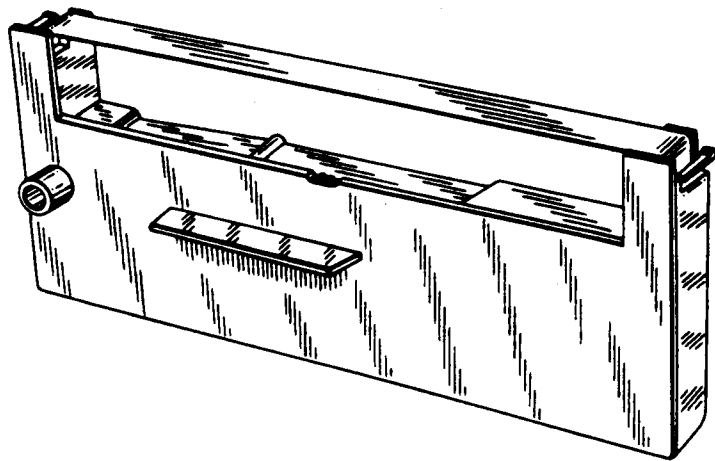


FIG. 7