



US00D991408S

(12) **United States Design Patent**
L’Henaff et al.

(10) **Patent No.:** **US D991,408 S**

(45) **Date of Patent:** **** Jul. 4, 2023**

(54) **FAUCET**

FOREIGN PATENT DOCUMENTS

(71) Applicant: **AS America, Inc.**, Piscataway, NJ (US)

CN 304807280 * 9/2018
WO D083518-001 * 5/2014
WO D208359-004 * 6/2020

(72) Inventors: **Jean-Jacques L’Henaff**, New Canaan, CT (US); **Ki Bok Song**, Plainview, NY (US); **Jacob Nitz**, London (GB); **Alison J. Lyons**, Jersery City, NJ (US); **Paul Flowers**, London (GB); **Greg Reinecker**, Brooklyn, NY (US)

OTHER PUBLICATIONS

RKF Two Handle Widespread Bathroom Sink Faucet, first available Feb. 22, 2019[online], [site visited Feb. 22, 2019]. Available from internet, URL:<<https://www.amazon.com/RKF-Widespread-Bathroom-overflow-WF015-9-MB/dp/B07P2DBBYM>> (Year: 2019).*

(Continued)

(**) Term: **15 Years**

Primary Examiner — David G Muller
Assistant Examiner — Jamaal Rasheed
(74) *Attorney, Agent, or Firm* — Tyler A. Stevenson;
Anna-Lisa L. Gallo

(21) Appl. No.: **29/799,667**

(22) Filed: **Jul. 15, 2021**

(51) **LOC (14) Cl.** **23-01**

(52) **U.S. Cl.**
USPC **D23/242**

(58) **Field of Classification Search**
USPC D23/238–244, 252, 254–255, 257, 499
CPC F16K 31/602; F16K 31/605; F16K 31/607;
E03C 1/0412
See application file for complete search history.

(57) **CLAIM**

We claim the ornamental design for a faucet, as shown and described.

DESCRIPTION

FIG. 1 is a top, front, right side, perspective view of a faucet showing our new design;
FIG. 2 is a front view thereof;
FIG. 3 is a rear view thereof;
FIG. 4 is a left side view thereof;
FIG. 5 is a right side view thereof;
FIG. 6 is a top view thereof;
FIG. 7 is a bottom view thereof;
FIG. 8 is a top, front, right side, perspective view thereof;
FIG. 9 is a front view thereof;
FIG. 10 is a rear view thereof;
FIG. 11 is a left side view thereof;
FIG. 12 is a right side view thereof;
FIG. 13 is a top view thereof; and,
FIG. 14 is a bottom view thereof.
Broken lines of the disclosure represent portions of the faucet that form no part of the claimed design.

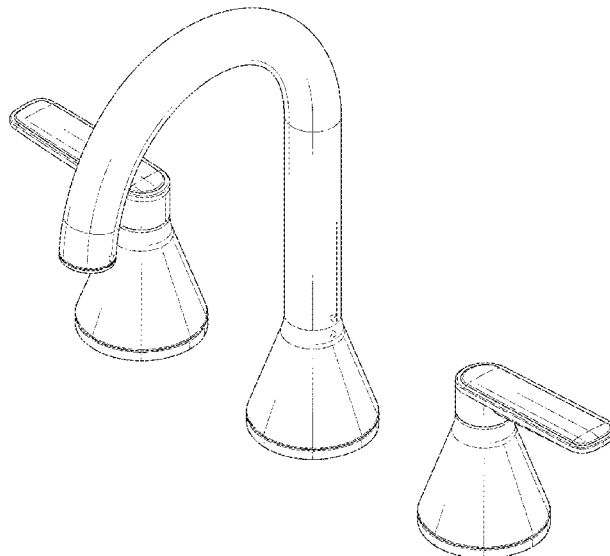
(56) **References Cited**

U.S. PATENT DOCUMENTS

D469,159 S *	1/2003	Marshall	D23/242
D667,935 S *	9/2012	Liao	D23/242
D859,592 S *	9/2019	Seum	D23/242
D883,443 S *	5/2020	Kuang	D23/242
D919,056 S *	5/2021	Garland	D23/255
D923,150 S *	6/2021	Sieger	D23/242
D925,007 S *	7/2021	Miller	D23/242
D950,018 S *	4/2022	Stoler	D23/242
D958,298 S *	7/2022	Yu	D23/242
D960,326 S *	8/2022	Zhang	D23/242
D962,394 S *	8/2022	Kim	D23/242
D963,117 S *	9/2022	Xie	D23/242

(Continued)

1 Claim, 10 Drawing Sheets



(56)

References Cited

U.S. PATENT DOCUMENTS

D973,185 S * 12/2022 Hsu D23/242
D973,846 S * 12/2022 Pan D23/241

OTHER PUBLICATIONS

YardMonet Faucet for Bathroom Sink, first available Apr. 2, 2022[online], [site visited Feb. 17, 2023]. Available from internet, URL:<<https://www.amazon.com/dp/B09X2LBRDM>> (Year: 2022).*

* cited by examiner

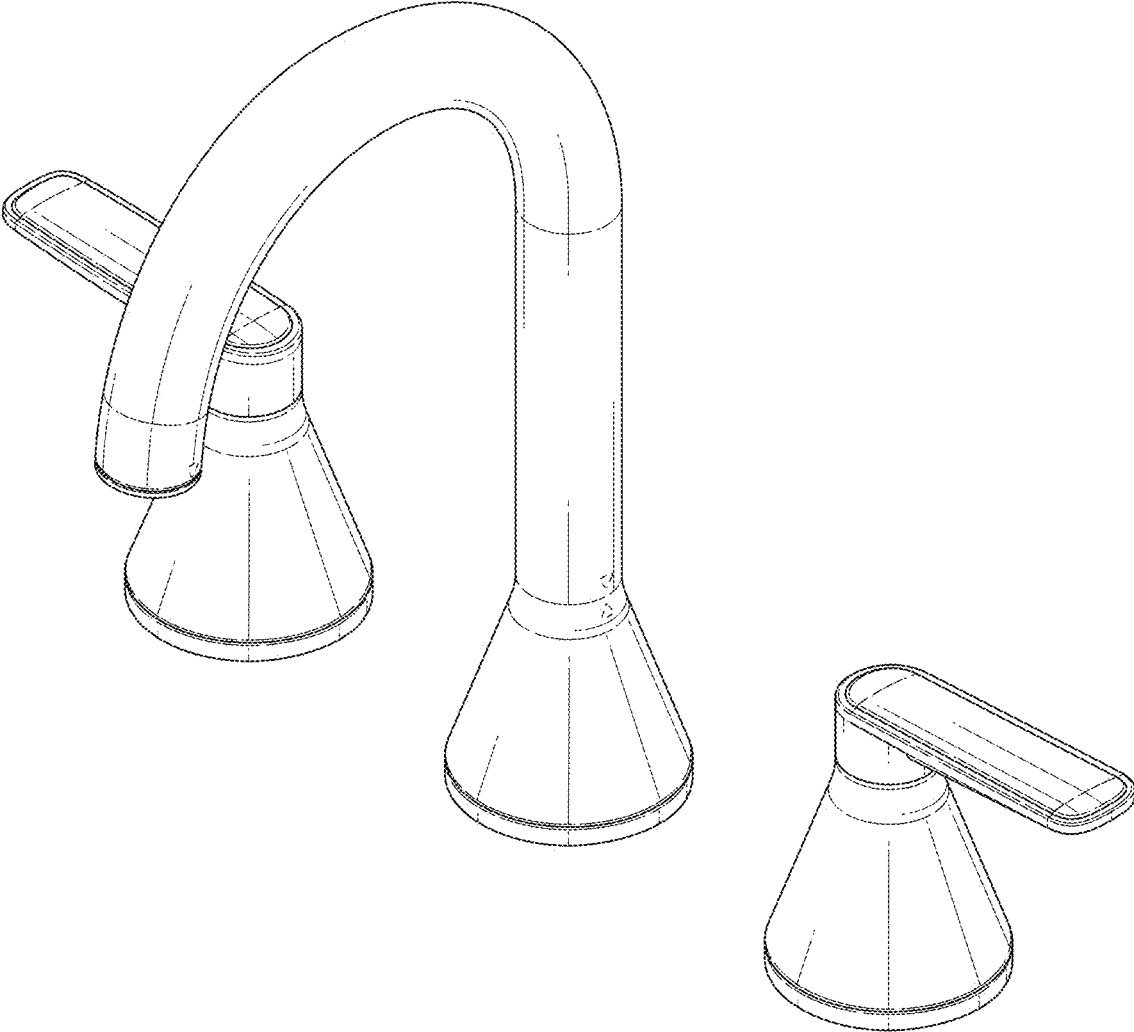


FIG. 1

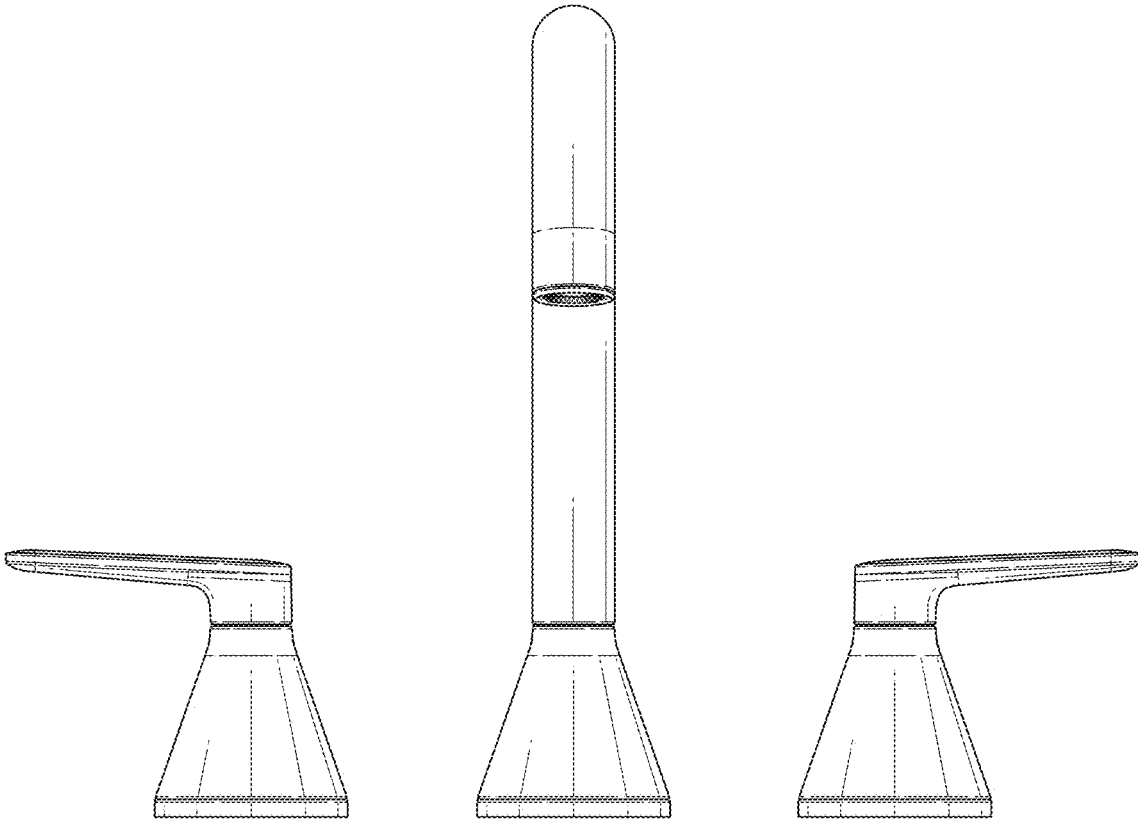


FIG. 2

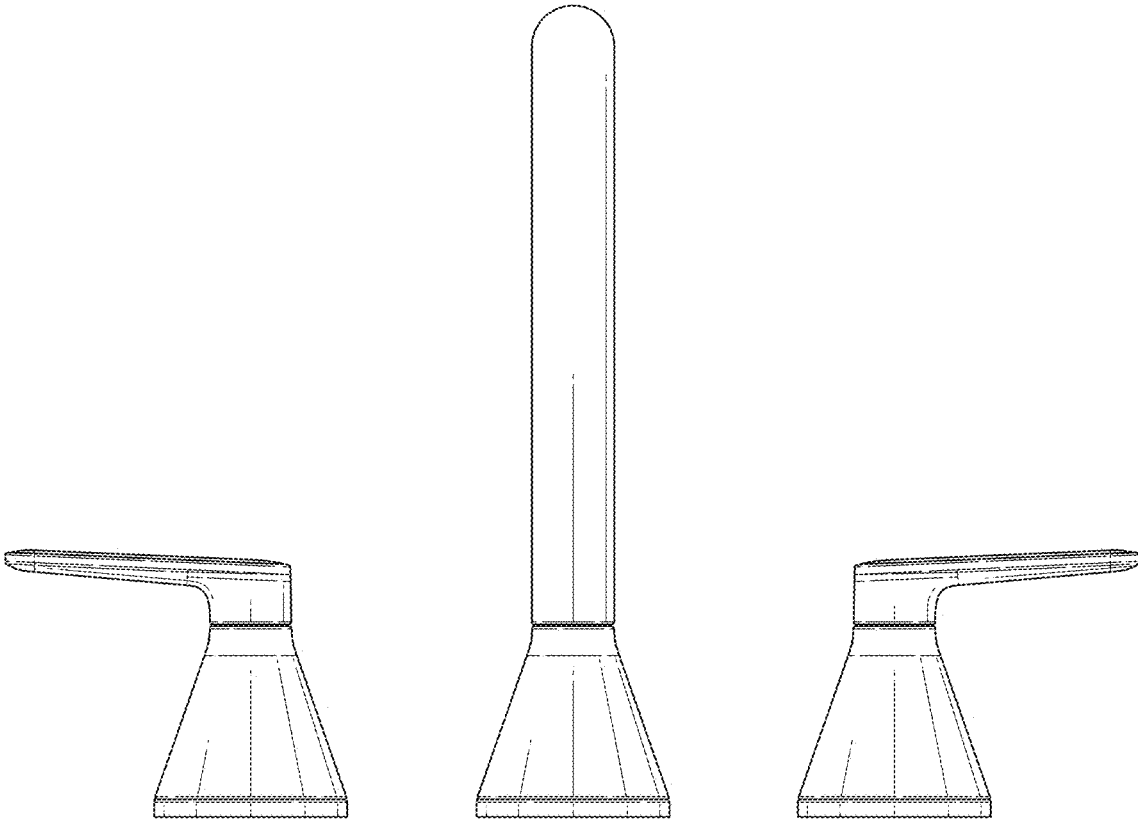


FIG. 3

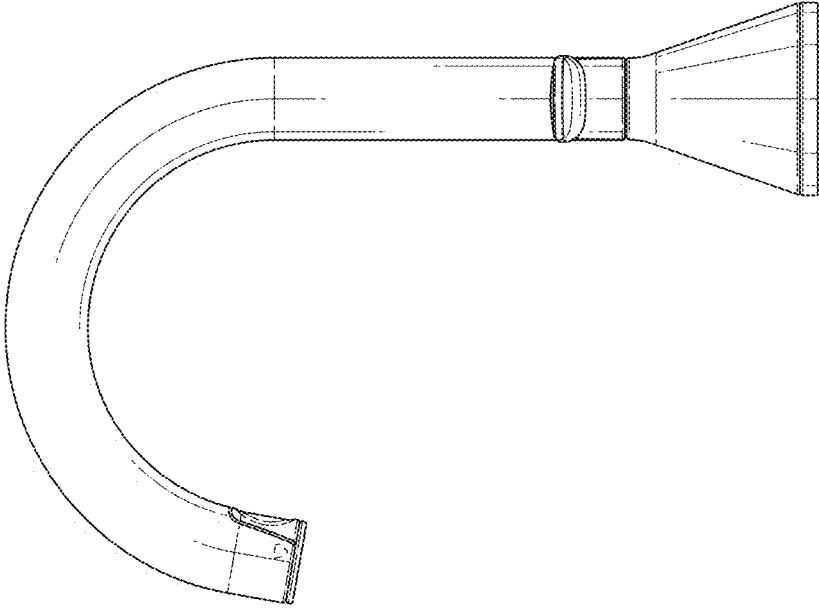


FIG. 5

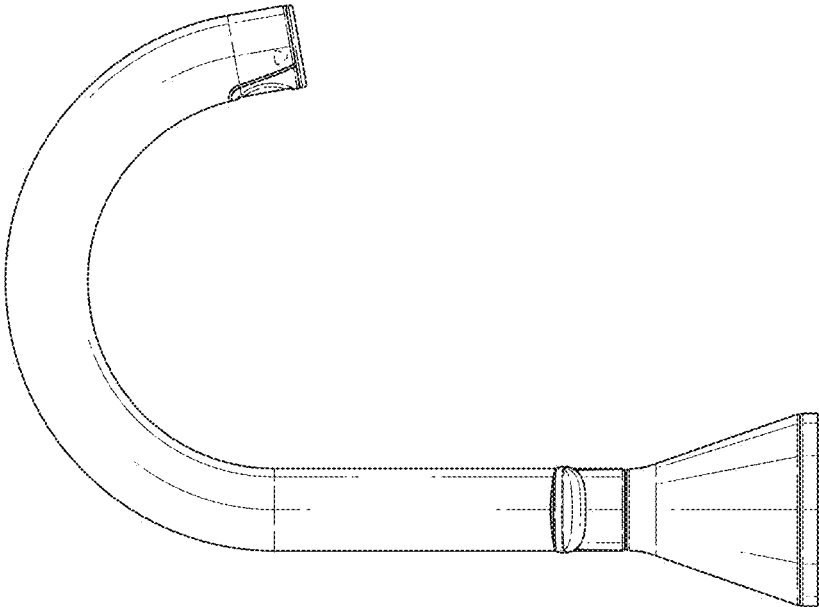


FIG. 4

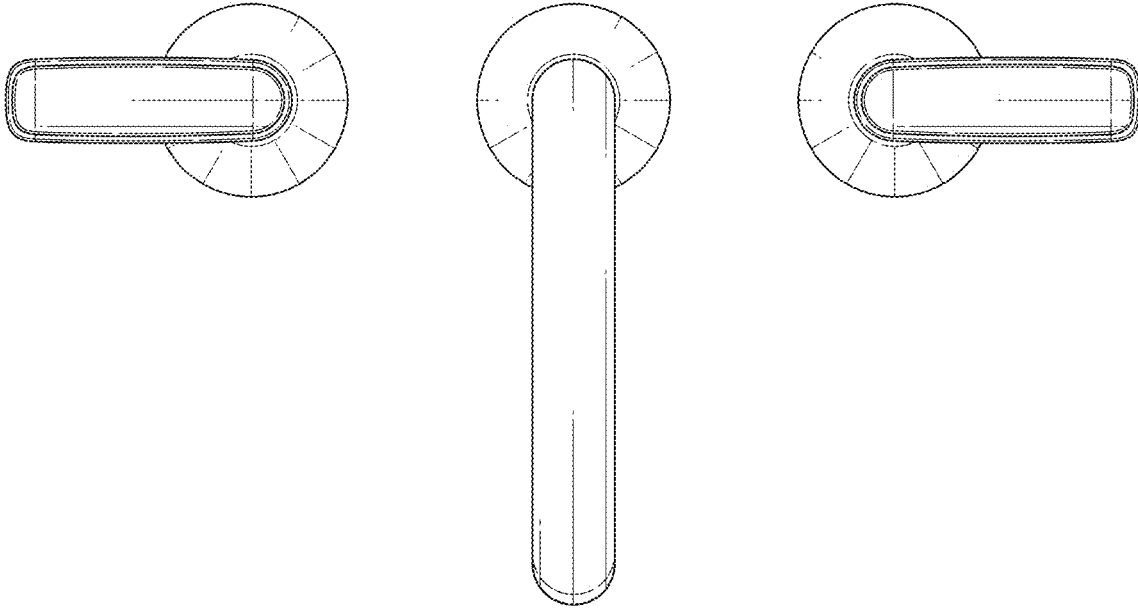


FIG. 6

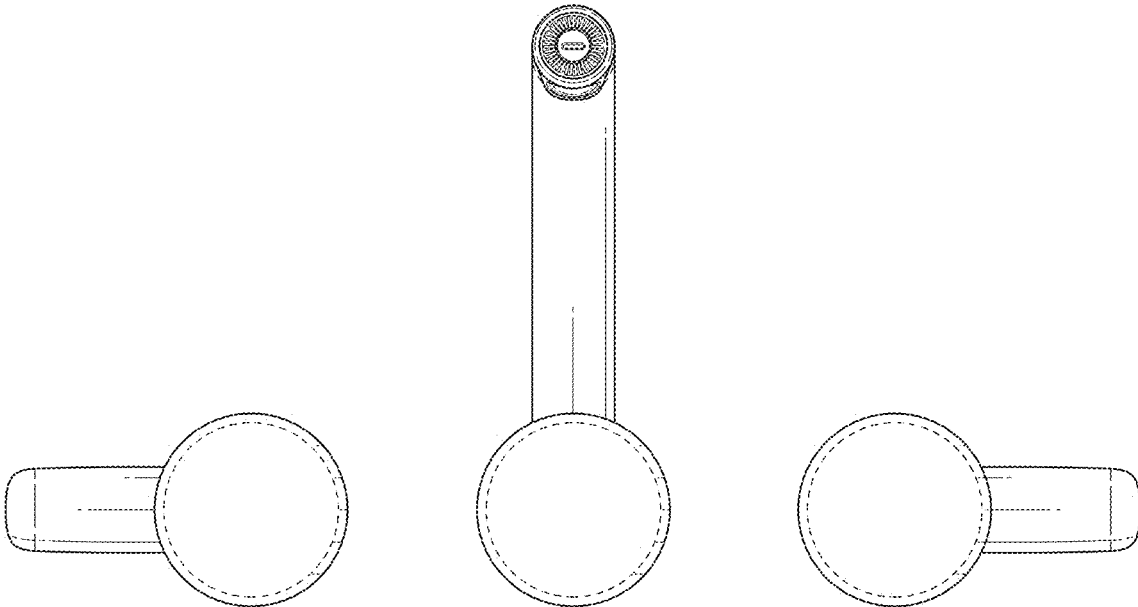


FIG. 7

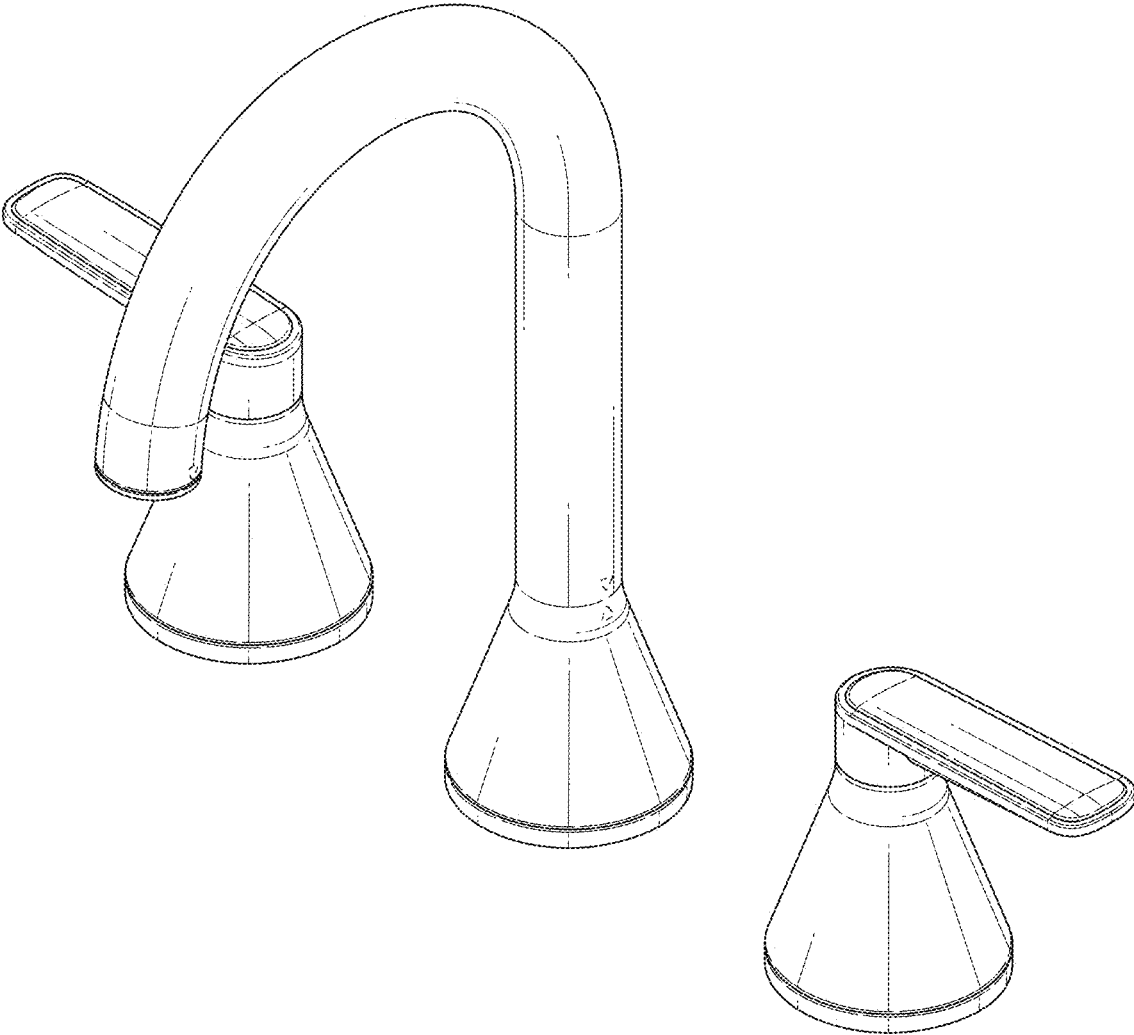


FIG. 8

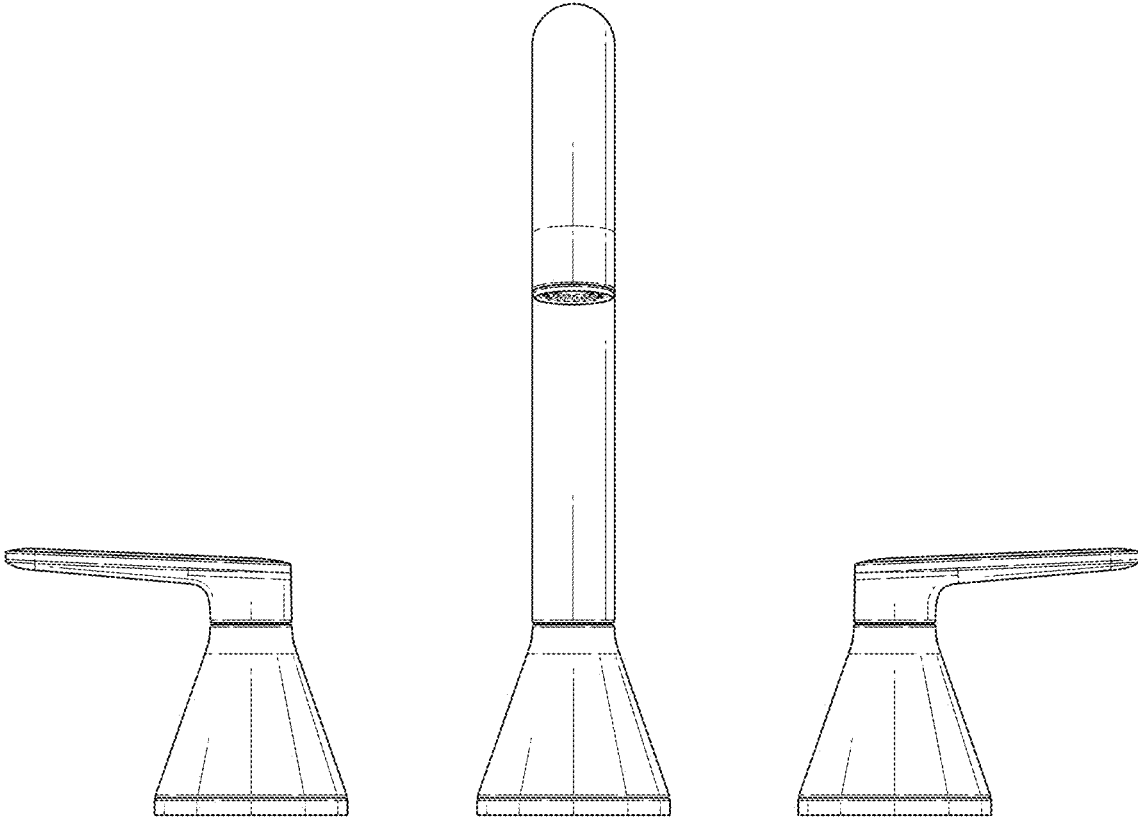


FIG. 9

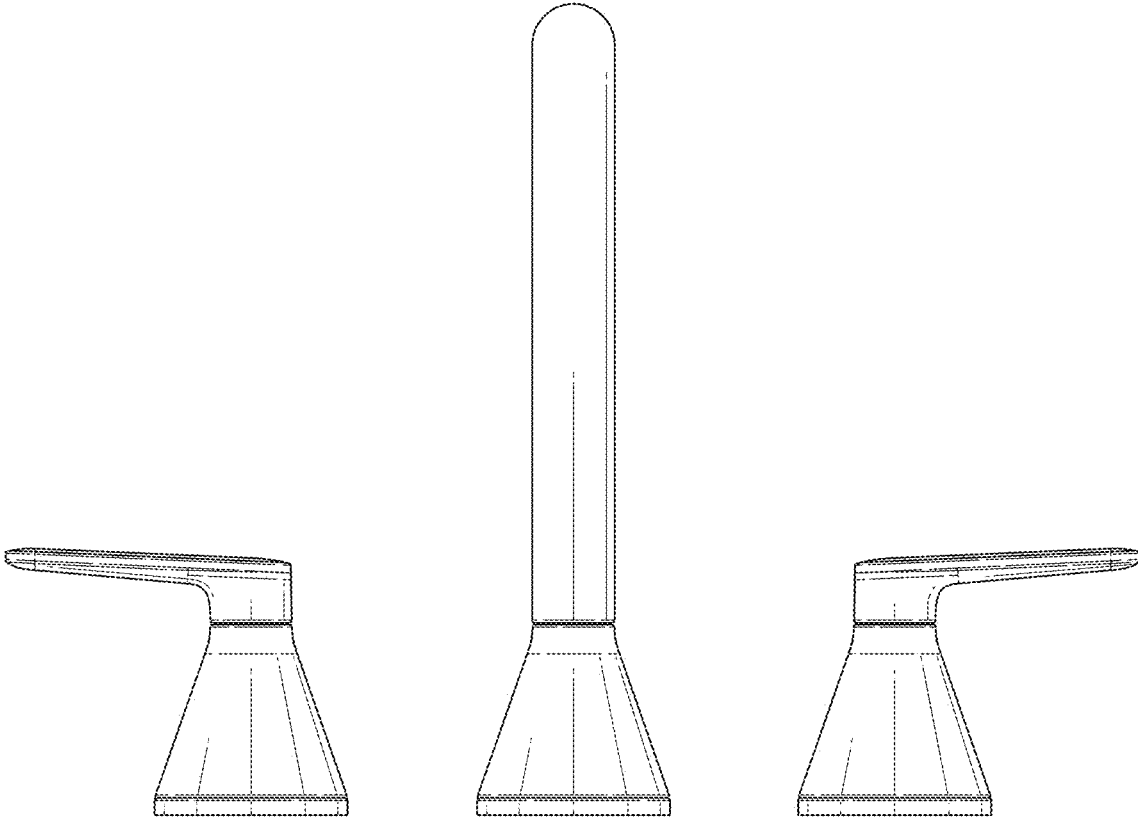


FIG. 10

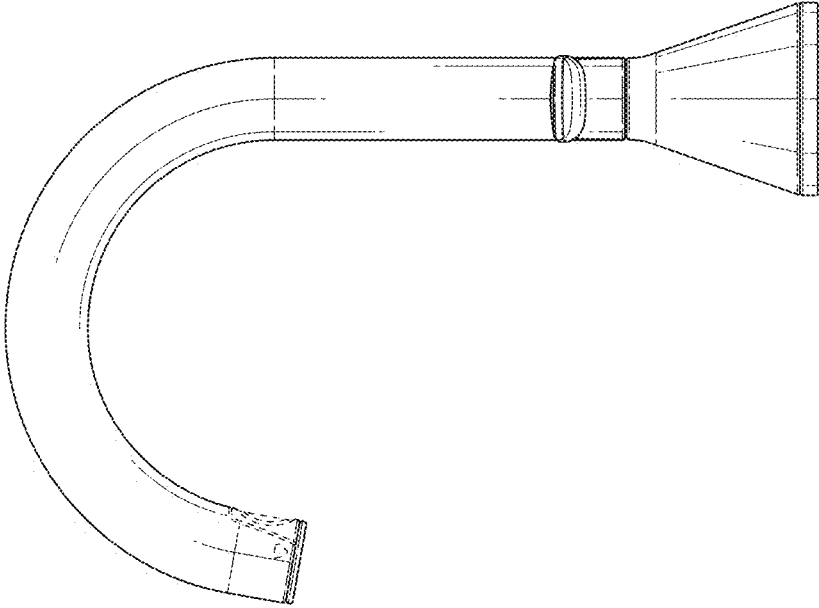


FIG. 11

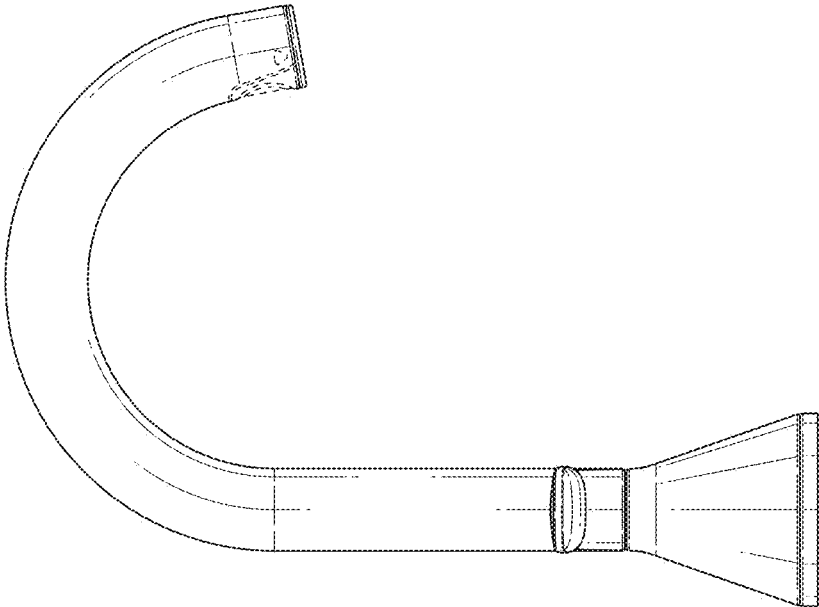


FIG. 12

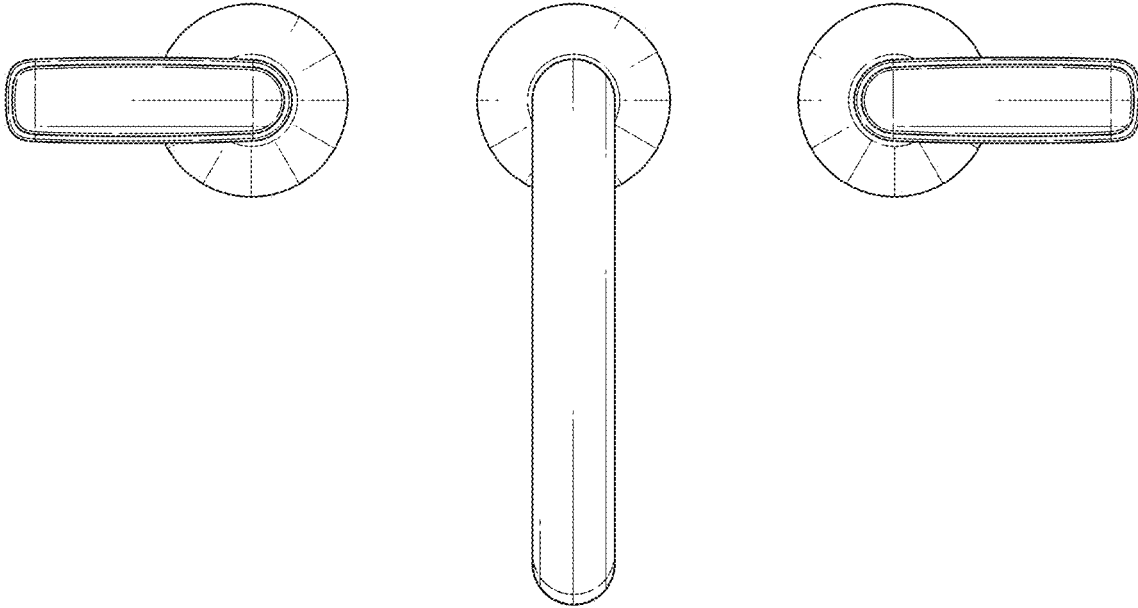


FIG. 13

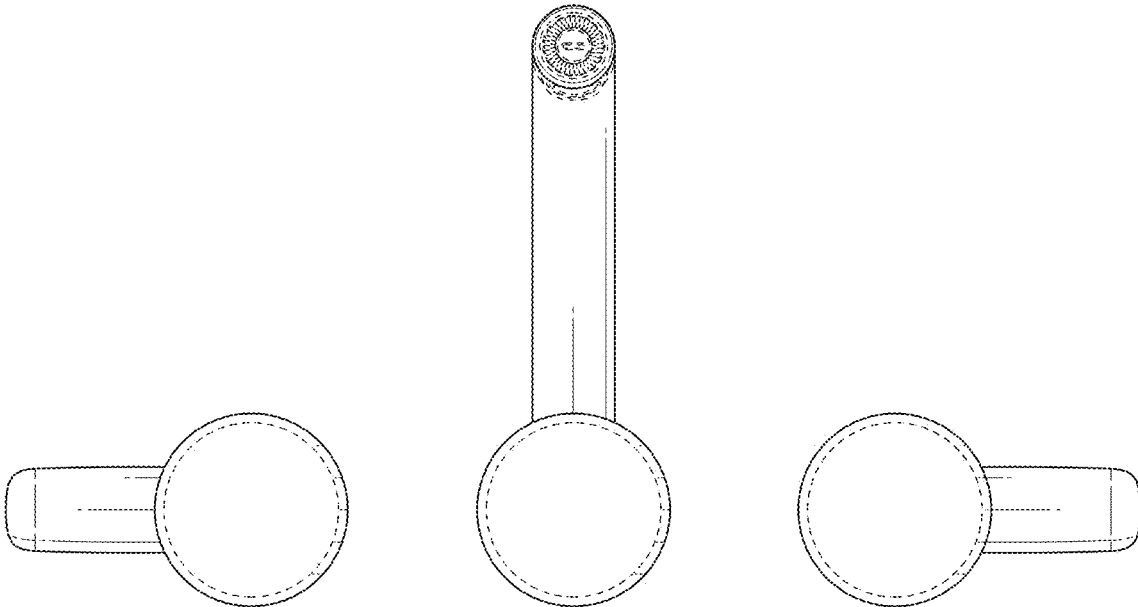


FIG. 14