



US00D525515S

(12) **United States Design Patent**  
**Antkowiak et al.**

(10) **Patent No.:** **US D525,515 S**

(45) **Date of Patent:** **\*\* \*Jul. 25, 2006**

(54) **LATCH FOR DOORS AND GATES**

(75) Inventors: **Margaret Antkowiak**, Parklea (AU);  
**Irek Karcz**, North Cromer (AU)

(73) Assignee: **D&D Group Pty Ltd**, Brookvale (AU)

(\* ) Notice: This patent is subject to a terminal disclaimer.

(\*\*) Term: **14 Years**

(21) Appl. No.: **29/211,805**

(22) Filed: **Aug. 20, 2004**

(30) **Foreign Application Priority Data**

Feb. 23, 2004 (AU) ..... 652/04

(51) **LOC (8) Cl.** ..... **08-06**

(52) **U.S. Cl.** ..... **D8/308**

(58) **Field of Classification Search** ..... D8/300,  
D8/301, 302, 307, 308; 70/92, 107, 224;  
292/169, 336.3, 357, 228

See application file for complete search history.

(56) **References Cited**

**U.S. PATENT DOCUMENTS**

3,881,331 A \* 5/1975 Tranberg et al. .... 70/107  
4,838,053 A \* 6/1989 Shen ..... 70/92

4,921,289 A \* 5/1990 Shen ..... 292/336.3  
5,149,155 A \* 9/1992 Caeti et al. .... 292/336.3  
5,177,987 A \* 1/1993 Shen ..... 70/224  
5,265,924 A \* 11/1993 Kim ..... 292/336.3  
6,264,255 B1 \* 7/2001 Fortune ..... 292/336.3  
6,364,383 B1 \* 4/2002 Shen ..... 292/357  
6,733,050 B1 \* 5/2004 Yao ..... 292/169  
6,869,115 B1 \* 3/2005 Shen ..... 292/357

\* cited by examiner

*Primary Examiner*—Paula A. Greene

(74) *Attorney, Agent, or Firm*—Fulwider Patton LLP

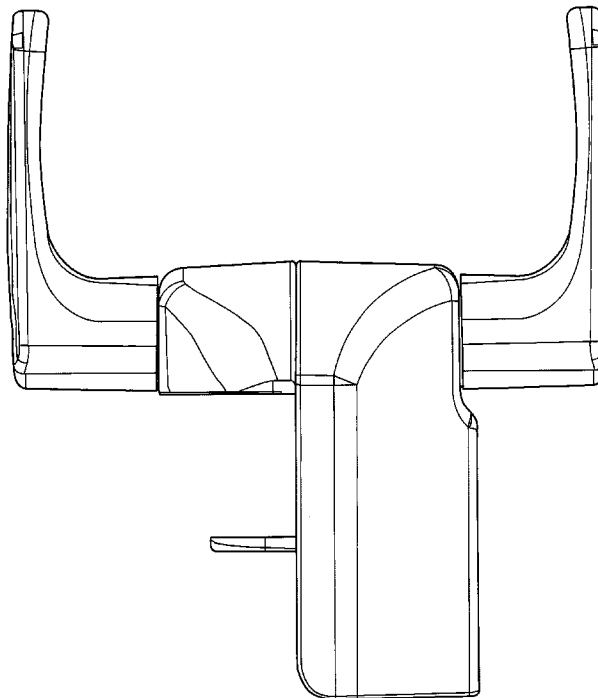
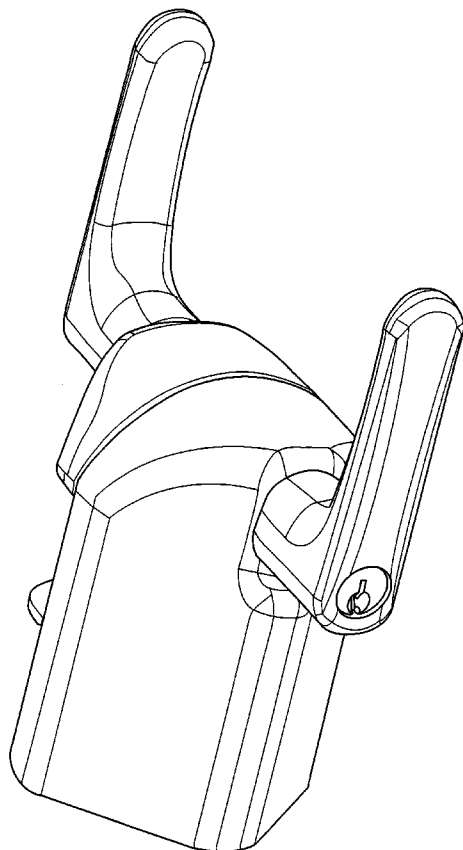
(57) **CLAIM**

The ornamental design for a latch for doors and gates, as shown.

**DESCRIPTION**

FIG. 1 is a front perspective view of a latch for gates and doors showing my new design;  
FIG. 2 is a rear perspective view thereof;  
FIG. 3 is an end elevational view thereof;  
FIG. 4 is an opposite end elevational view thereof;  
FIG. 5 is a front elevational view thereof;  
FIG. 6 is a rear elevational view thereof;  
FIG. 7 is a side elevational view thereof; and,  
FIG. 8 is an opposite side elevational view thereof.

**1 Claim, 8 Drawing Sheets**



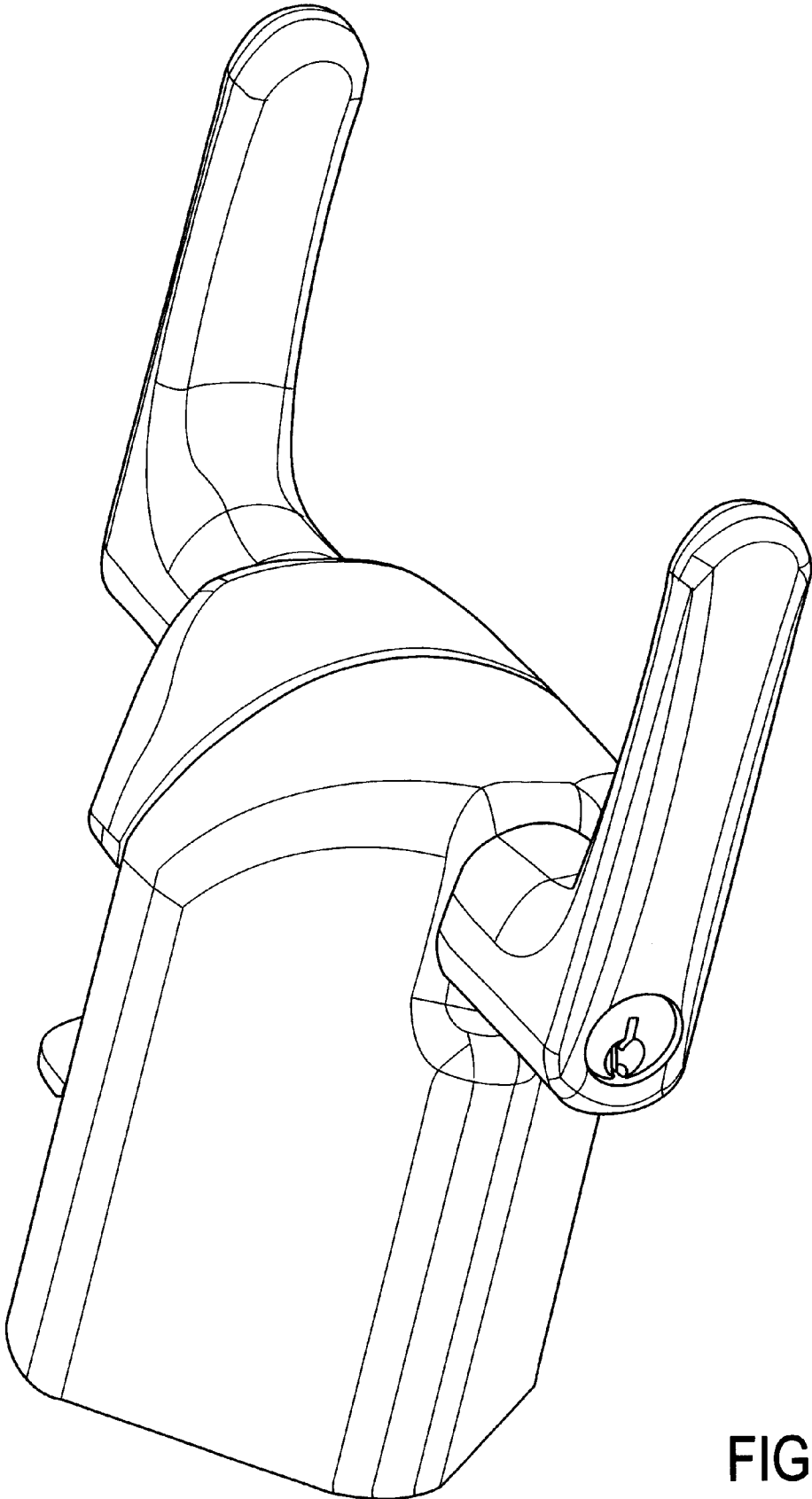


FIG. 1

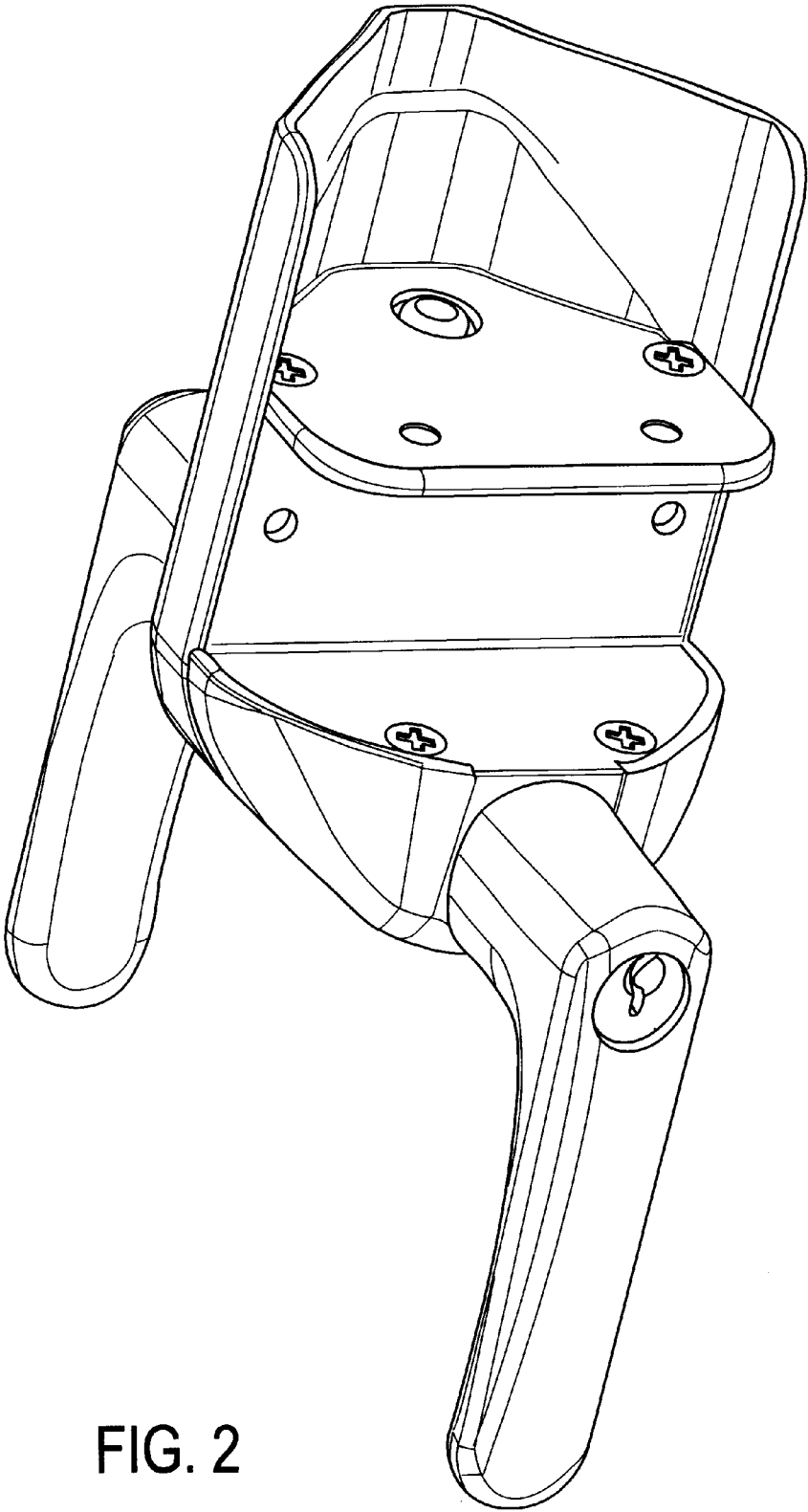


FIG. 2

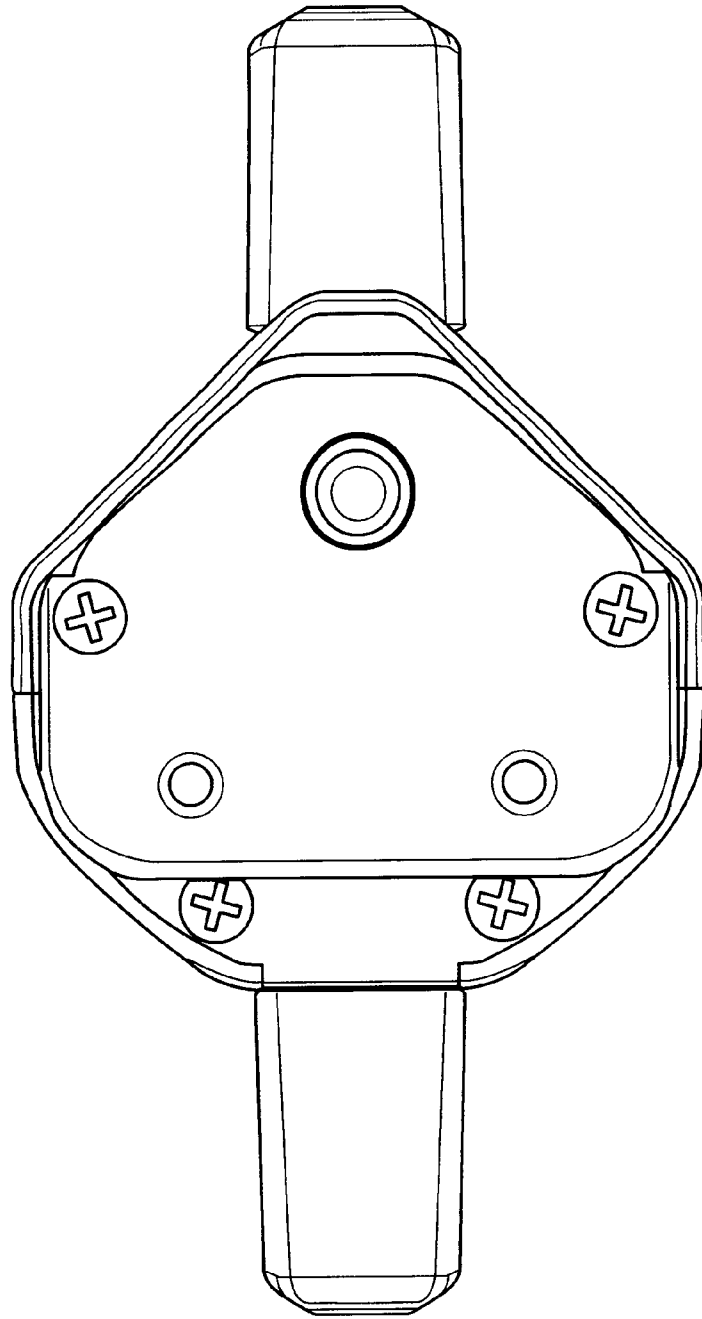


FIG. 3

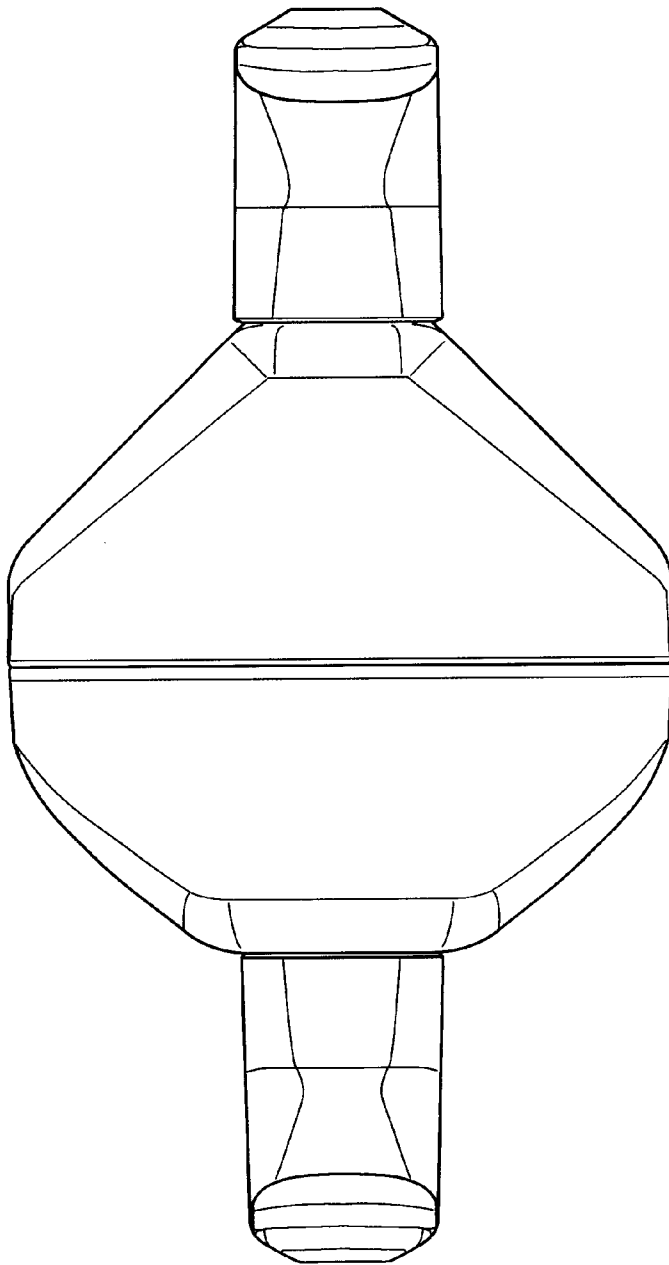


FIG. 4

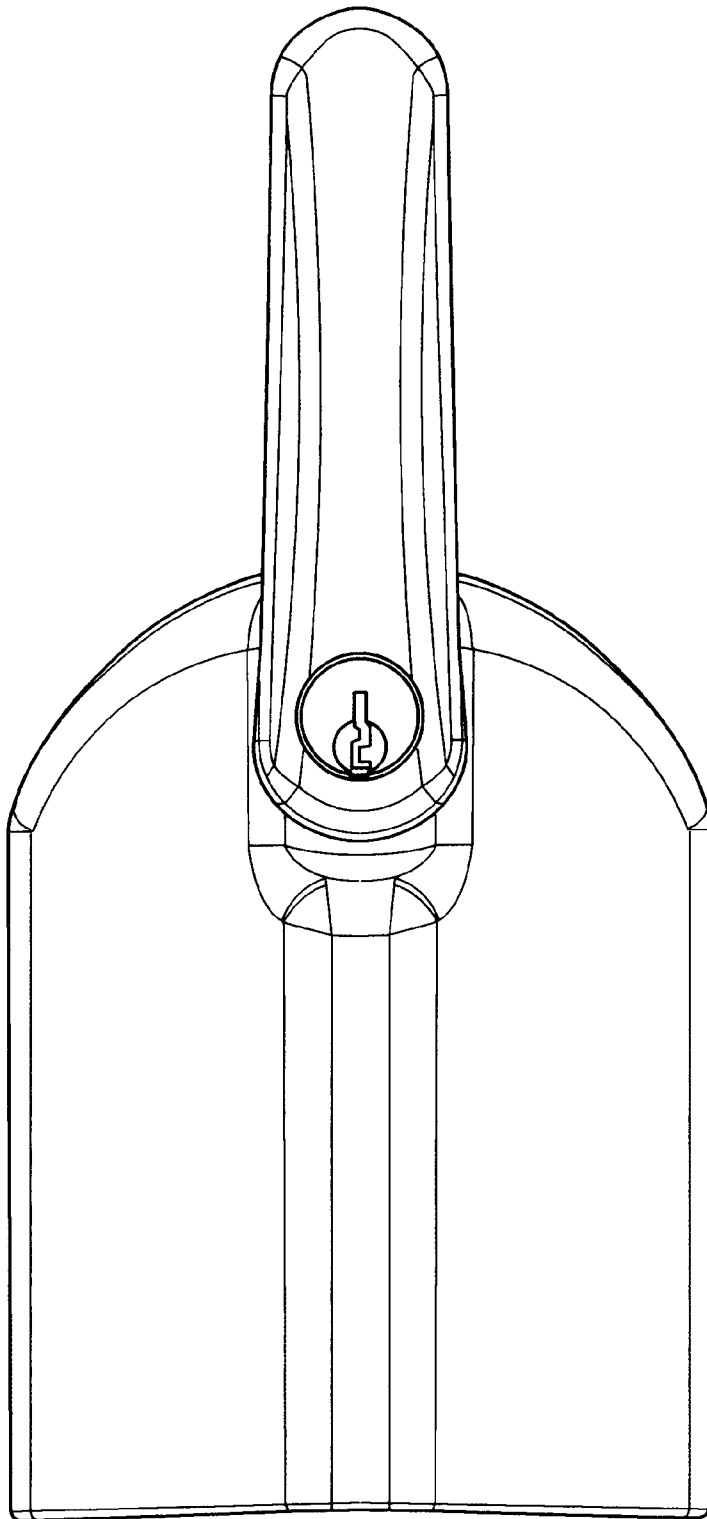


FIG. 5

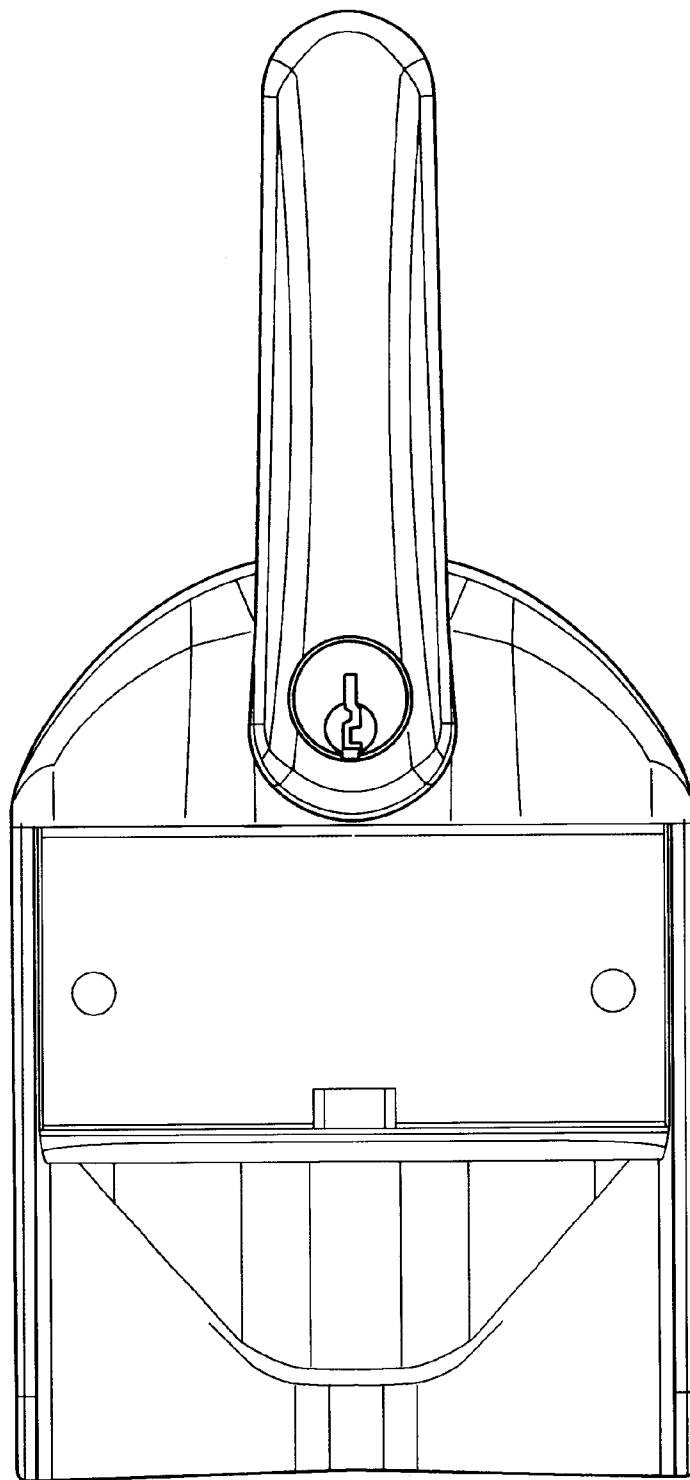


FIG. 6

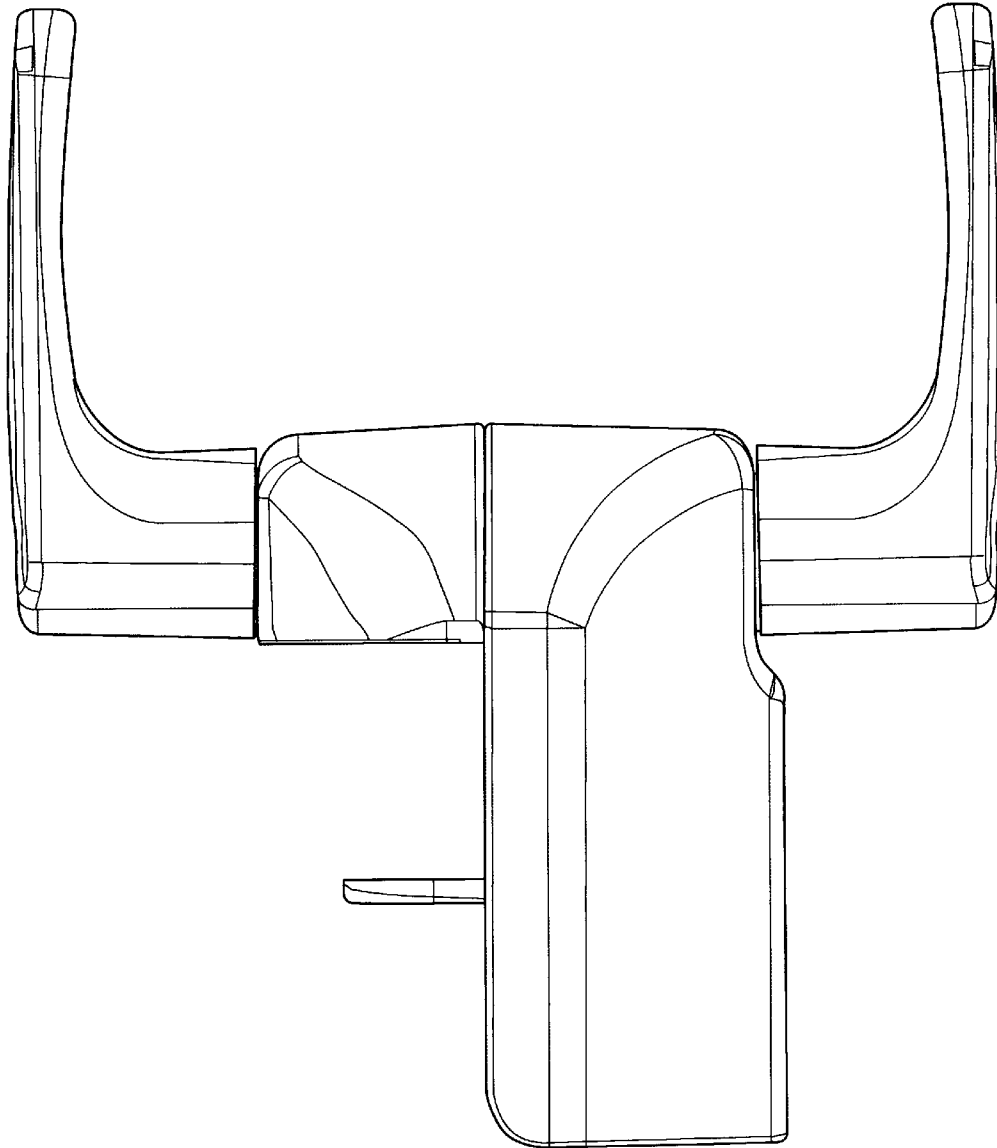


FIG. 7

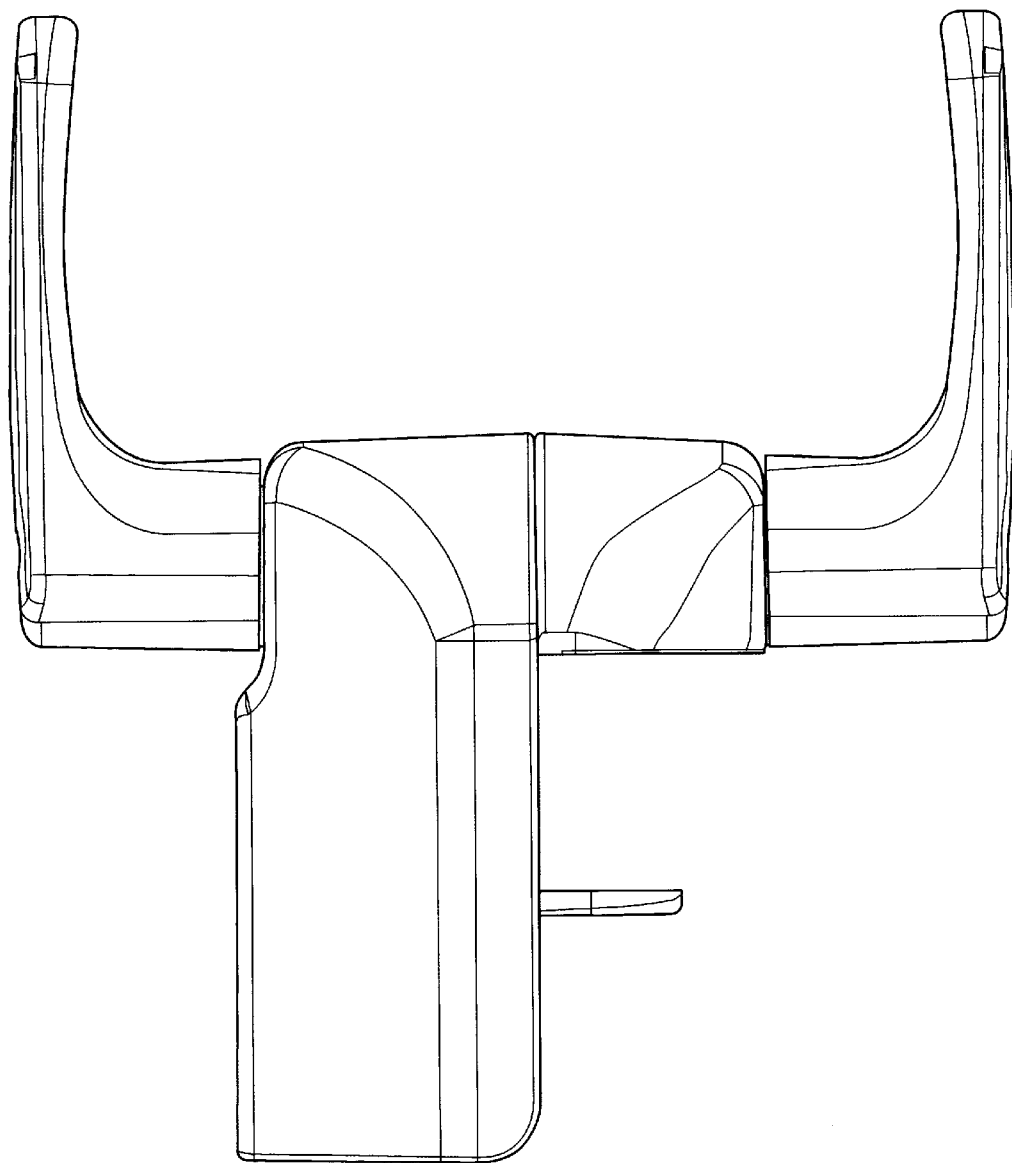


FIG. 8