



US0D1046808S

(12) **United States Design Patent**
Zhong

(10) **Patent No.:** **US D1,046,808 S**

(45) **Date of Patent:** **** Oct. 15, 2024**

(54) **TURNTABLE**
(71) Applicant: **Fengsheng Zhong**, Nanning (CN)
(72) Inventor: **Fengsheng Zhong**, Nanning (CN)

1,754,416 A * 4/1930 Bonsieur G11B 19/2009
369/271.1
1,905,707 A * 4/1933 Havemeyer, Jr. B61J 1/04
200/571
2,293,212 A * 8/1942 Offen G11B 17/16
369/205

(**) Term: **15 Years**
(21) Appl. No.: **29/951,336**
(22) Filed: **Jul. 9, 2024**

(Continued)

FOREIGN PATENT DOCUMENTS

CN 307624285 * 10/2022
CN 308121862 * 7/2023

(30) **Foreign Application Priority Data**

Jul. 2, 2024 (CN) 202430411353.5

(51) **LOC (14) Cl.** **14-01**
(52) **U.S. Cl.**
USPC **D14/199**

(58) **Field of Classification Search**
USPC D14/135, 140, 140.1-140.8, 155-159,
D14/160-174, 188-199, 200-203,
D14/203.1-203.8, 204-216, 217-222,
D14/240-244, 256-257, 265, 300-302,
D14/348-349, 356-358, 432-434, 439,
D14/496-497; D13/110, 123, 133-135,
D13/162
CPC ... G10H 1/0008; G10H 1/0066; H04W 88/00;
H04W 88/005; H04W 88/02; H04W
88/08; H04W 88/085; H04W 88/10;
H04W 88/12; H04W 88/14

OTHER PUBLICATIONS

Pro-Ject XAB Acrylic, date not available, [retrieved Aug. 22, 2024],
Retrieved from Internet, URL: <https://www.crutchfield.com/p_252XAB/Pro-Ject-XA-B-Acrylic.html> (Year: 2024).*

(Continued)

Primary Examiner — Messina L Smith
Assistant Examiner — Aram Kwon
(74) *Attorney, Agent, or Firm* — Jeenam Park

See application file for complete search history.

(57) **CLAIM**

The ornamental design for a turntable, as shown and described.

DESCRIPTION

FIG. 1 is a front, right and top perspective view of a turntable, showing my new design;
FIG. 2 is a rear, left and bottom perspective view thereof;
FIG. 3 is a front view thereof;
FIG. 4 is a rear view thereof;
FIG. 5 is a left side view thereof;
FIG. 6 is a right side view thereof;
FIG. 7 is a top plan view thereof; and,
FIG. 8 is a bottom plan view thereof.

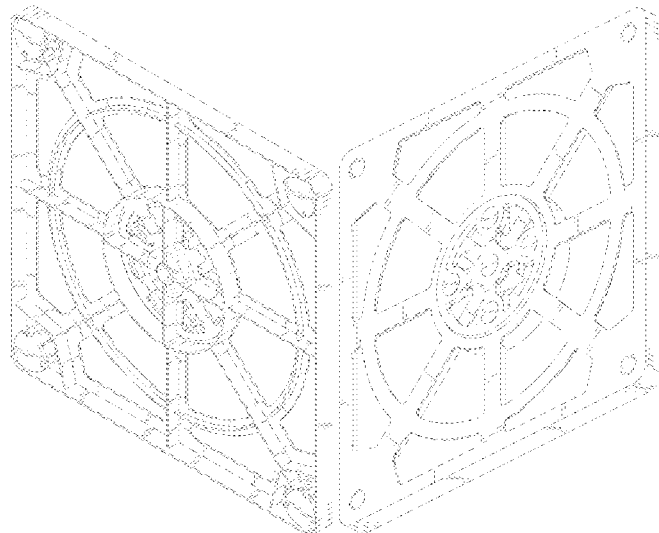
The broken lines shown in the drawings illustrate portions of the turntable that form no part of the claimed design.

(56) **References Cited**

U.S. PATENT DOCUMENTS

1,408,747 A * 3/1922 Krug B60S 13/02
104/44
1,562,853 A * 11/1925 Schonberger B60S 13/02
104/45
1,732,113 A * 10/1929 Van Der Meer B60S 13/02
248/349.1
1,732,551 A * 10/1929 Bowen B60S 13/02
104/35

1 Claim, 8 Drawing Sheets



(56)

References Cited

U.S. PATENT DOCUMENTS

2,386,503 A * 10/1945 Pressley G11B 33/02
 248/610
 2,577,649 A * 12/1951 Dale G11B 19/265
 369/267
 2,967,440 A * 1/1961 Hunter B22C 11/04
 188/69
 3,656,491 A * 4/1972 Ballard C23G 3/00
 134/112
 D252,330 S * 7/1979 Leech D14/203
 D268,028 S * 2/1983 Ekuan D14/202
 D277,178 S * 1/1985 Morita D14/203
 D550,649 S 9/2007 Thursfield
 7,313,800 B2 * 12/2007 Inatani G11B 17/05
 D711,853 S * 8/2014 Miyata H04R 1/02
 D14/204
 9,953,664 B1 * 4/2018 Huang G11B 3/08
 D856,973 S * 8/2019 Jiang D14/209
 D879,740 S 3/2020 Wu
 D891,392 S * 7/2020 Peng D14/203

D957,881 S * 7/2022 McBride D7/501
 D968,162 S * 11/2022 McBride D7/501
 2003/0107984 A1 * 6/2003 Yamaguchi G11B 17/038
 720/704
 2017/0121146 A1 * 5/2017 McGonagle B65H 49/24
 2021/0252653 A1 * 8/2021 Li B65G 47/91

OTHER PUBLICATIONS

His Dieter Rams-Inspired Turntable, Feb. 6, 2020, [retrieved Aug. 22, 2024], Retrieved from Internet, URL: <<https://www.yankodesign.com/2020/02/06/this-dieter-rams-inspired-turntable-is-spearheading-the-transparent-design-trend/>> (Year: 2020).*

Transparent Turntable, date not available, [retrieved Aug. 22, 2024], Retrieved from Internet, URL: <<https://transparent.us/turntable-black>> (Year: 2024).*

Vertere DG-1S Dynamic Groove, date not available, [retrieved Aug. 22, 2024], Retrieved from Internet, URL: <<https://audioinfluence.com.au/products/vertere-dg-1s-dynamic-groove-record-player>> (Year: 2024).*

* cited by examiner

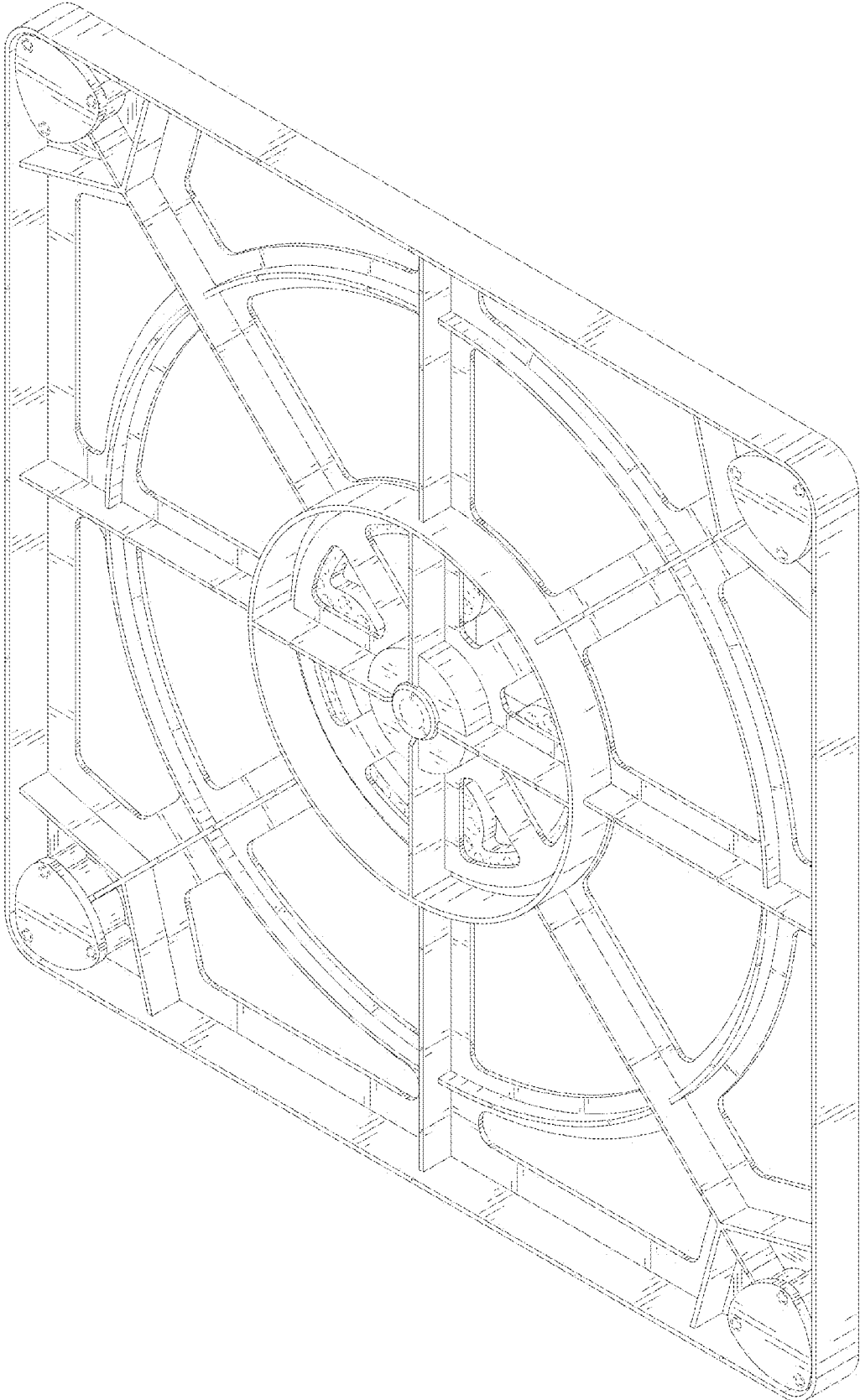


FIG. 1

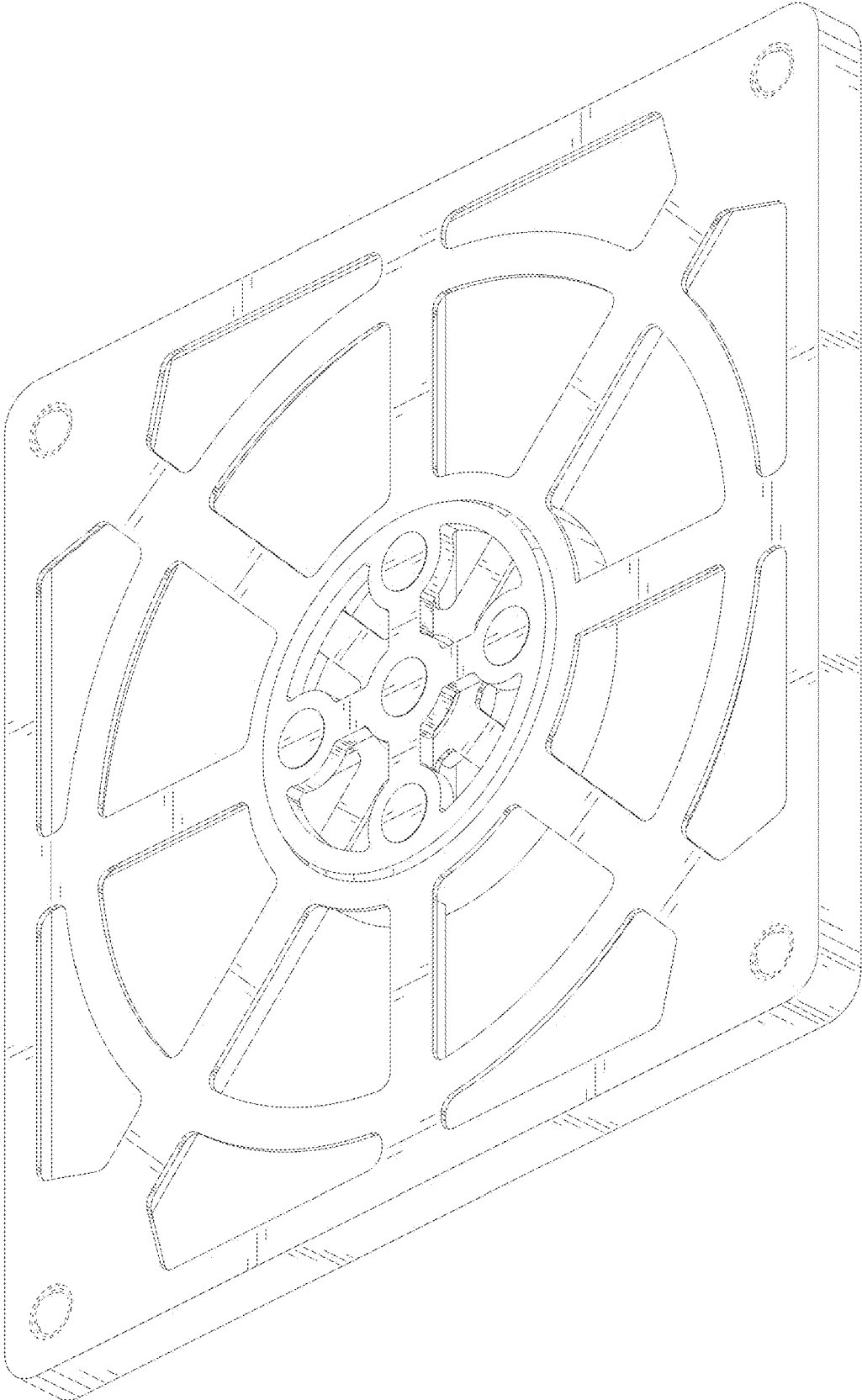


FIG. 2

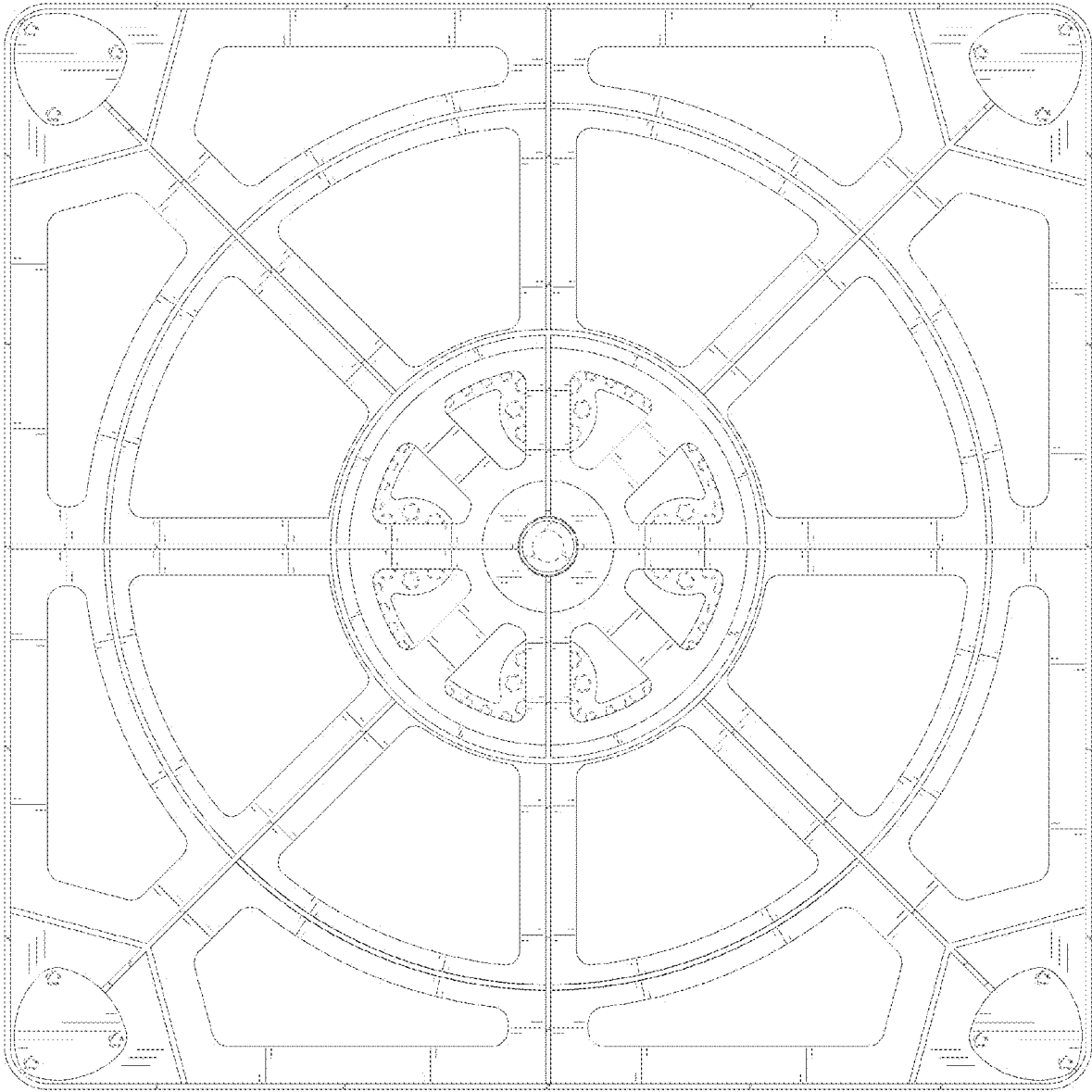


FIG. 3

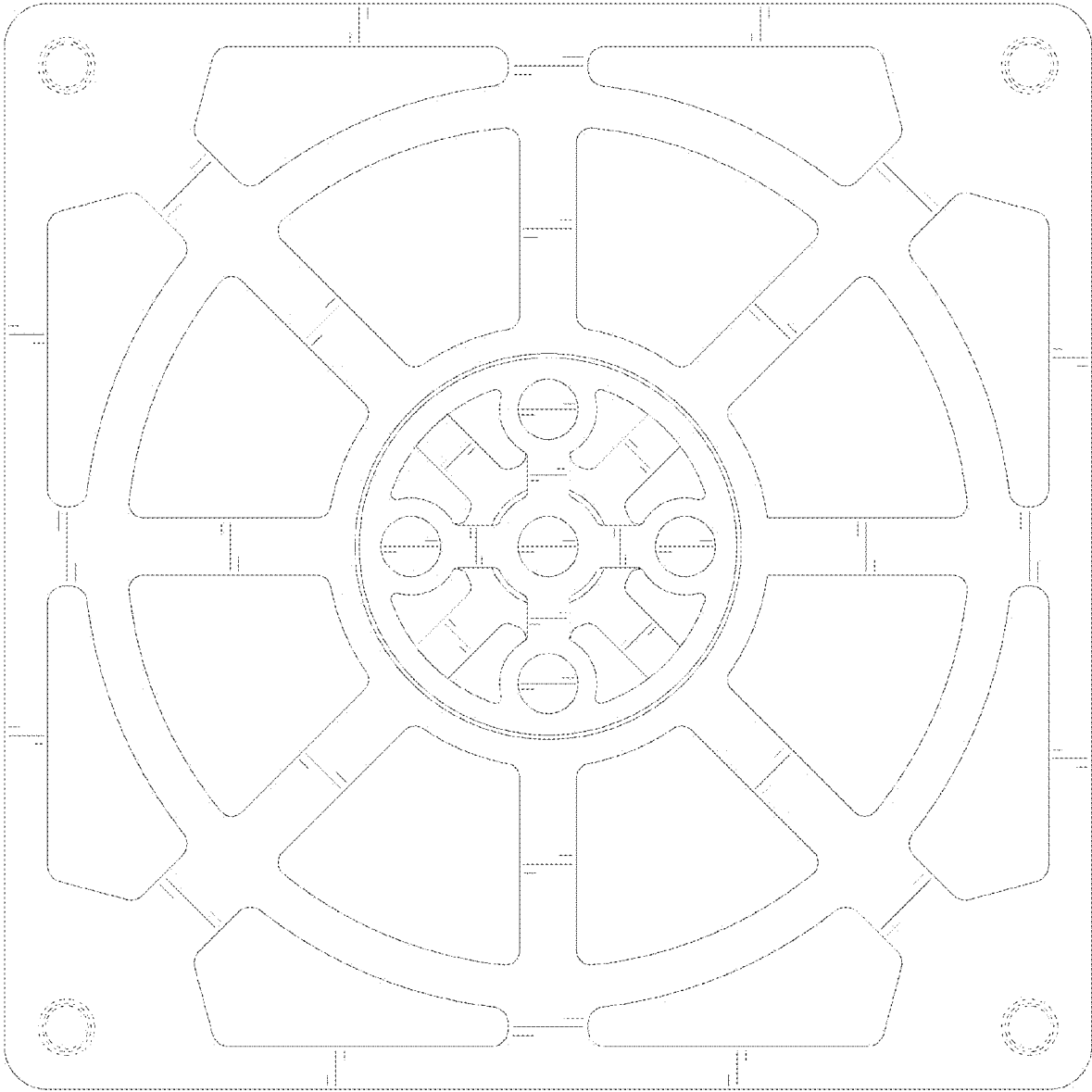


FIG. 4



FIG. 5

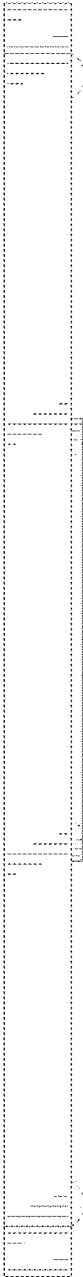


FIG. 6



FIG. 7



FIG. 8