



US0D1004168S

(12) **United States Design Patent**
Anastassiades

(10) **Patent No.:** **US D1,004,168 S**

(45) **Date of Patent:** **** Nov. 7, 2023**

(54) **SUSPENSION LIGHT**

D887,618 S * 6/2020 Ng D26/88
D893,794 S * 8/2020 Kelley D26/110
D914,268 S * 3/2021 Anastassiades D26/88

(71) Applicant: **FLOS S.P.A.**, Bovezzo (IT)

(72) Inventor: **Michael Anastassiades**, Brescia (IT)

(73) Assignee: **FLOS S.P.A.**, Bovezzo (IT)

(**) Term: **15 Years**

(21) Appl. No.: **35/515,308**

(22) Filed: **Sep. 23, 2022**

(80) **Hague Agreement Data**

Int. Filing Date: **Sep. 23, 2022**
Int. Reg. No.: **DM/223701**
Int. Reg. Date: **Sep. 23, 2022**
Int. Reg. Pub. Date: **Oct. 7, 2022**

(51) **LOC (14) CL.** **26-03**

(52) **U.S. CL.**
USPC **D26/88**

(58) **Field of Classification Search**
USPC D26/72, 85, 88, 90, 91
CPC F21S 8/04; F21S 8/043; F21S 8/06; F21S
8/061; F21S 8/063
See application file for complete search history.

(56) **References Cited**

U.S. PATENT DOCUMENTS

D84,372 S * 6/1931 Rosenblatt D26/91
D614,340 S * 4/2010 Thun D26/88
D760,421 S * 6/2016 Zahn D26/88
D787,108 S * 5/2017 Hendifar D26/88
D846,789 S * 4/2019 Barber D26/88
D858,854 S * 9/2019 Sonneman D26/88

OTHER PUBLICATIONS

GSJFNH Art Decor Ceiling Light Chandelier, ASIN: B0B7JQX12P. Available at amazon.com. Site visited Jun. 16, 2023. (Year: 2023).*
TWXG Dining Room Chandelier, ASIN: B09VCQ58PB. Available at amazon.com. Site visited Jun. 16, 2023. (Year: 2023).*
AUI Pendant Light, ASIN: B0BGKCRX8F. Available at amazon.com. Site visited Jun. 16, 2023. (Year: 2023).*
Dream Master LED ceiling mount and/or track light. Available at aliexpress...us. Site visited Jun. 16, 2023. (Year: 2023).*

* cited by examiner

Primary Examiner — Clare E Heflin
(74) *Attorney, Agent, or Firm* — Ferguson Case Orr Paterson

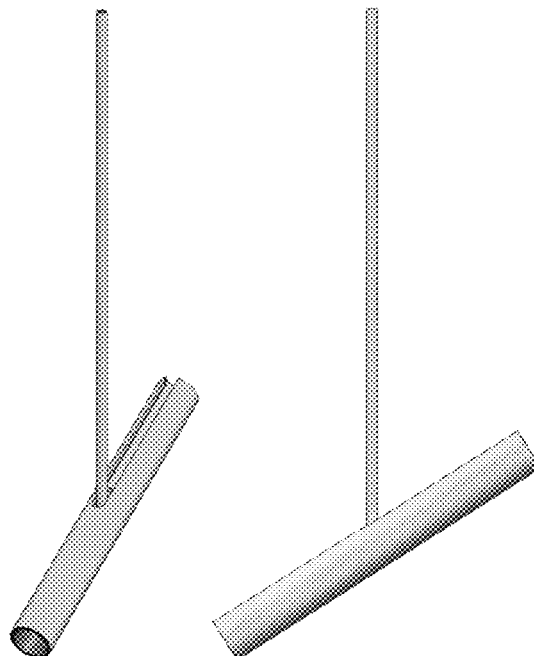
(57) **CLAIM**

The ornamental design for a suspension light, as shown and described.

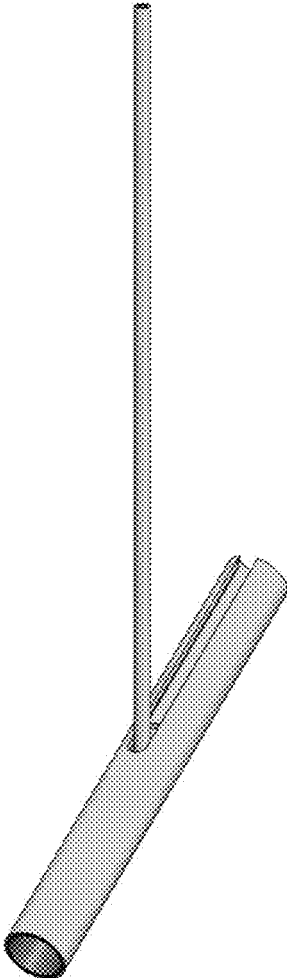
DESCRIPTION

1. Suspension light
The figure 1.9 represents the lamp with the light on; fig. 1.1 is a top perspective view of the design; fig. 1.2 is a front view thereof; fig. 1.3 is a rear view thereof; fig. 1.4 is a left view thereof; fig. 1.5 is a right view thereof; fig. 1.6 is a top view thereof; fig. 1.7 is a bottom view thereof; fig. 1.8 is a bottom perspective view; fig. 1.9 is a top perspective view with the light on; the light reflection and the shade on the reproductions are for illustrative purposes only and form no part of the claimed design.

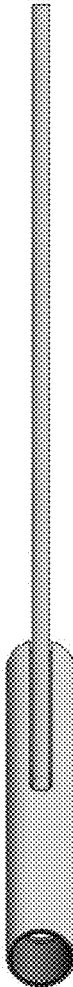
1 Claim, 9 Drawing Sheets



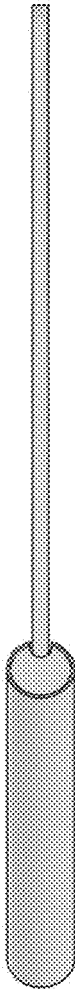
1.1



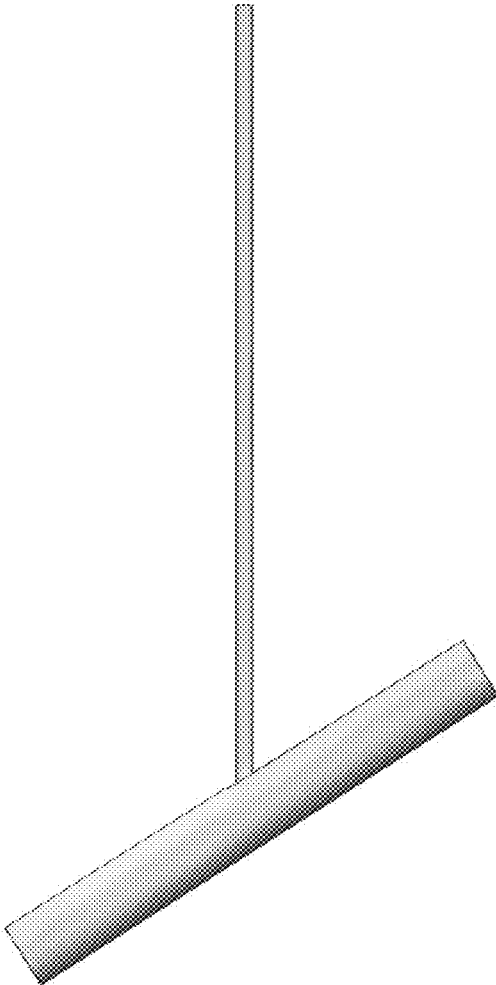
1.2



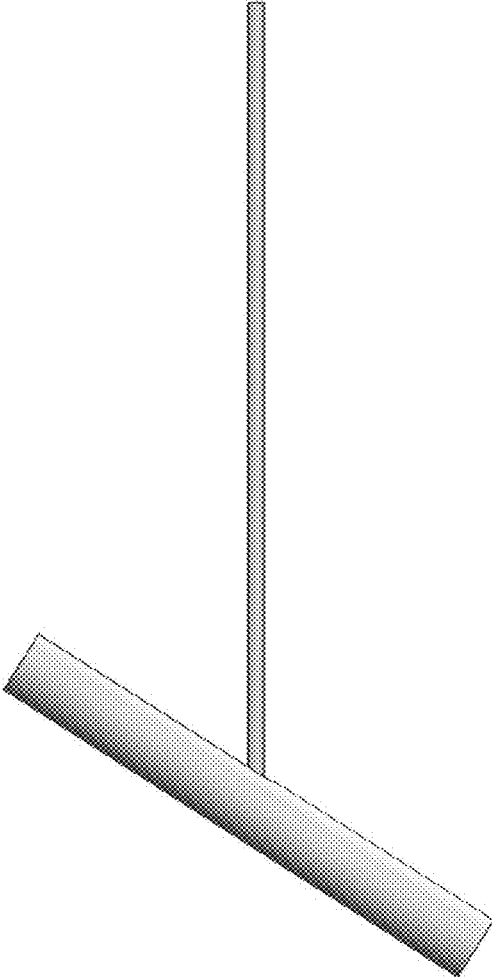
1.3



1.4



1.5



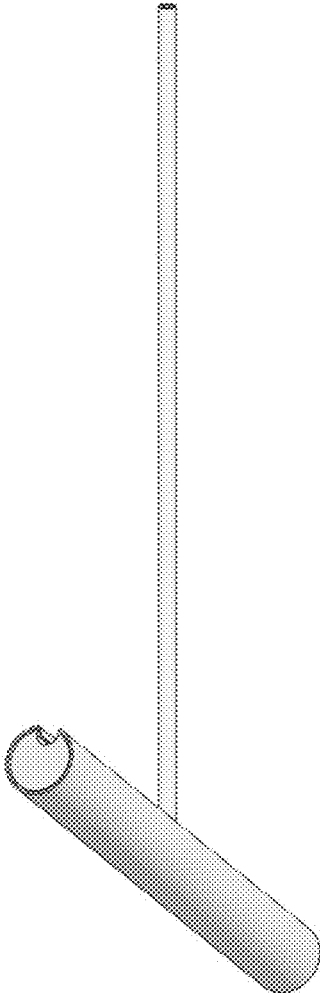
1.6



1.7



1.8



1.9

