



US00D854540S

(12) **United States Design Patent**
Kim et al.

(10) **Patent No.:** **US D854,540 S**

(45) **Date of Patent:** **** Jul. 23, 2019**

(54) **MONITOR**

(71) Applicant: **LG ELECTRONICS INC.**, Seoul (KR)

(72) Inventors: **Sungjoo Kim**, Seoul (KR); **Gangho Woo**, Seoul (KR)

(73) Assignee: **LG ELECTRONICS INC.**, Seoul (KR)

(**) Term: **15 Years**

(21) Appl. No.: **35/504,178**

(22) Filed: **Jun. 21, 2017**

(80) **Hague Agreement Data**

Int. Filing Date: **Jun. 21, 2017**
Int. Reg. No.: **DM/096661**
Int. Reg. Date: **Jun. 21, 2017**
Int. Reg. Pub. Date: **Dec. 22, 2017**

(30) **Foreign Application Priority Data**

Dec. 23, 2016 (KR) 30-2016-0063062

(51) **LOC (11) Cl.** **14-02**

(52) **U.S. Cl.**
USPC **D14/336; D14/374**

(58) **Field of Classification Search**
USPC D14/125-134, 136, 159, 239, 336, 341, D14/371-377, 440, 448, 450; D21/329, D21/515, 577, 622
CPC G06F 1/1601; G06F 1/1643; G06F 1/1637; H04N 5/64; H05K 5/0204; H05K 5/00; H05K 5/0017
See application file for complete search history.

(56) **References Cited**

U.S. PATENT DOCUMENTS

D425,036 S * 5/2000 Copus D14/126
D475,687 S * 6/2003 Goto D14/126

D619,978 S * 7/2010 Kim D14/126
D624,894 S * 10/2010 Kasuga D14/126
RE42,091 E * 2/2011 Moscovitch B60R 11/02 348/794
D634,745 S * 3/2011 Park D14/373
D669,871 S * 10/2012 Furukawa D14/126
D677,662 S * 3/2013 Mochizuki D14/375
8,462,103 B1 * 6/2013 Moscovitch B60R 11/02 345/1.1
D694,206 S * 11/2013 Seo D14/126
D694,209 S * 11/2013 Cho D14/126
D704,709 S * 5/2014 Bussoli D14/128
D710,357 S * 8/2014 Quijano D14/374
D726,717 S * 4/2015 Lee D14/371
D733,672 S * 7/2015 Choi D14/126

(Continued)

FOREIGN PATENT DOCUMENTS

CN 304477157 * 1/2018
WO D096661-001 * 12/2017
WO D100712-001 * 6/2018

Primary Examiner — Barbara Fox
Assistant Examiner — Dana K Weiland
(74) *Attorney, Agent, or Firm* — Birch, Stewart, Kolasch & Birch, LLP

(57) **CLAIM**

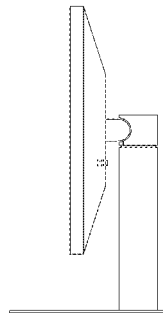
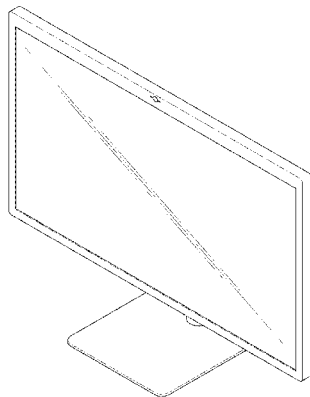
The ornamental design for a monitor, as shown and described.

DESCRIPTION

- 1. Monitor
- 1.1 : Perspective
- 1.2 : Front
- 1.3 : Back
- 1.4 : Left
- 1.5 : Right
- 1.6 : Top
- 1.7 : Bottom

The broken lines shown in the figures depict portions of the monitor that form no part of the claimed design.

1 Claim, 6 Drawing Sheets



(56)

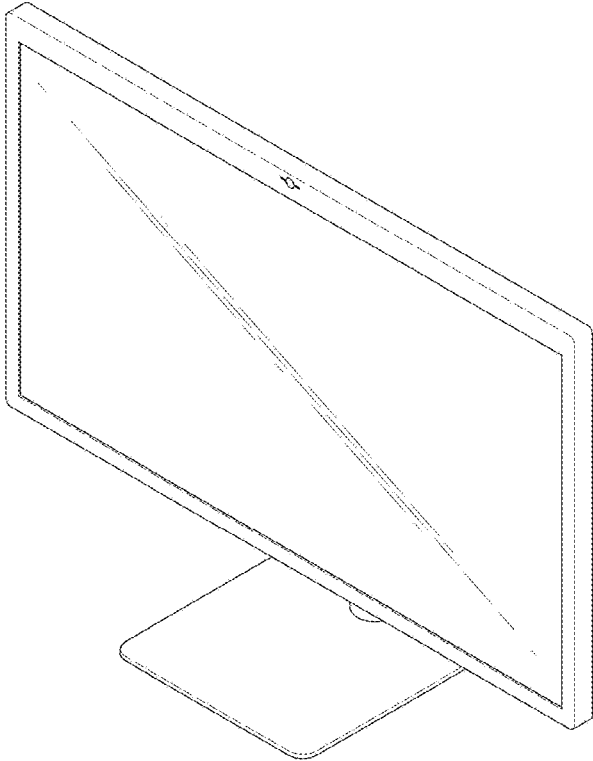
References Cited

U.S. PATENT DOCUMENTS

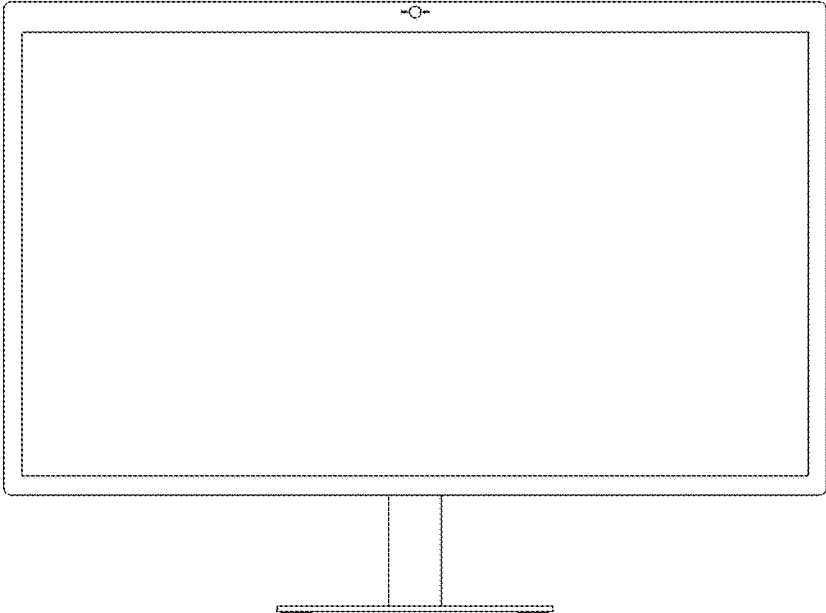
D734,280	S	*	7/2015	Choi	D14/126
D747,717	S	*	1/2016	Kim	D14/336
D763,259	S	*	8/2016	Lee	D14/375
D788,782	S	*	6/2017	Lim	D14/451
D799,440	S	*	10/2017	Kim	D14/126
D806,069	S	*	12/2017	Peng	D14/336
D812,614	S	*	3/2018	Lee	D14/375
D812,615	S	*	3/2018	Lee	D14/375
D821,395	S	*	6/2018	Thetard	D14/374
D827,644	S	*	9/2018	Kim	D14/377
D836,110	S	*	12/2018	Quijano	D14/374
D838,268	S	*	1/2019	Little	D14/314
2006/0076463	A1	*	4/2006	Drew	F16M 11/041 248/121
2007/0146979	A1	*	6/2007	Chen	G06F 1/1601 361/679.21
2014/0321039	A1	*	10/2014	Quijano	G06F 1/1601 361/679.22

* cited by examiner

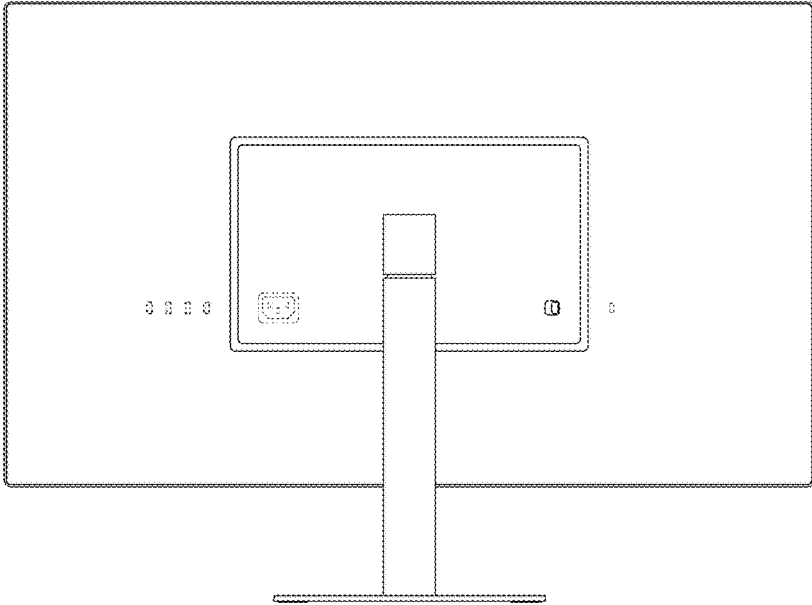
1.1



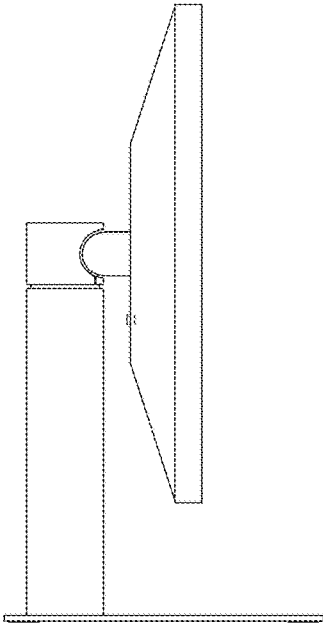
1.2



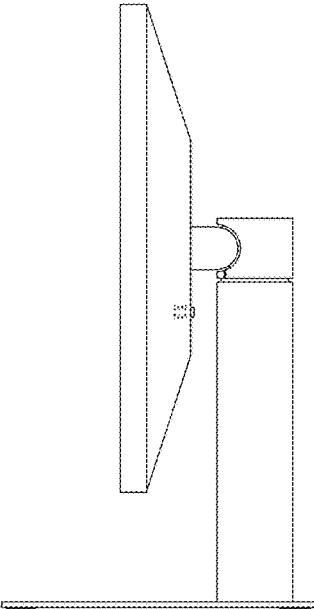
1.3



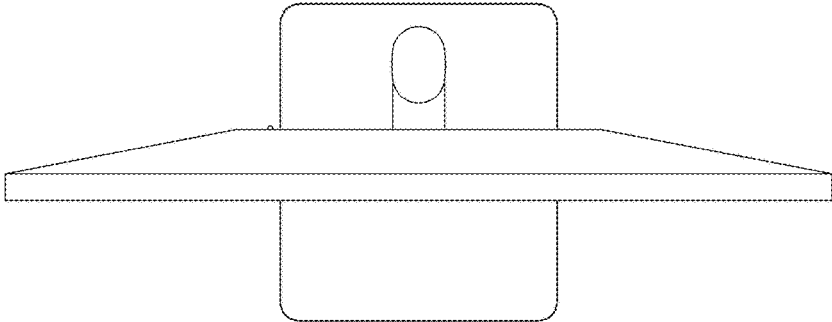
1.4



1.5



1.6



1.7

