

(19) World Intellectual Property Organization
International Bureau



(43) International Publication Date
22 October 2009 (22.10.2009)

PCT

(10) International Publication Number
WO 2009/129218 A3

(51) International Patent Classification:

E21B 43/17 (2006.01) C10G 1/00 (2006.01)
E21B 43/24 (2006.01)

(21) International Application Number:

PCT/US2009/040476

(22) International Filing Date:

14 April 2009 (14.04.2009)

(25) Filing Language:

English

(26) Publication Language:

English

(30) Priority Data:

61/045,351 16 April 2008 (16.04.2008) US

(71) Applicant (for SM only): SHELL OIL COMPANY
[US/US]; One Shell Plaza, P.O. Box 2463, Houston, TX
77252-2463 (US).

(71) Applicant (for all designated States except US): SHELL
INTERNATIONALE RESEARCH MAATSCHAPPIJ
B.V. [NL/NL]; Carel Van Bylandtlaan 30, NL-2596 HR
The Hague (NL).

(72) Inventors; and

(75) Inventors/Applicants (for US only): VAN DEN BERG,
Claudia [NL/NL]; Hazerswoude, NL-2394 CB Rijndijk
175 (NL). CLINTON, Paul [GB/NL]; Carel Van By-
landtlaan 30, NL-2596 HR The Hague (NL). GELDER,
Kees, Van [NL/NL]; Rieteiland 41, NL-2285 JW Rijswi-
jk (NL). MESTERS, Carolus, Matthias Anna Maria
[NL/NL]; Badhuisweg 3, NL-1031 CM Amsterdam (NL).
MONIN, Patrick, Guy [FR/NL]; Paulus Buijsstraat 49h,

NL-2582 CH Den Haag (NL). MULDER, Gerard
[NL/NL]; Leeuwenhorstlaan 5, NL-2548 PX The Hague
(NL). VALDEZ, Raul [US/NL]; Kessler Park 1,
NL-2288 GS Rijswijk (NL). WANG, Dean, Chien
[US/US]; 4111 Custer Creek Drive, Missouri City, TX
77459 (US).

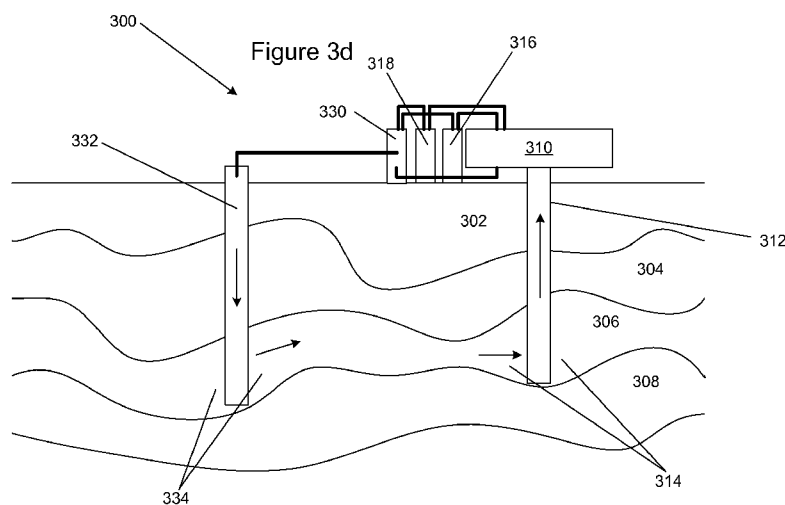
(74) Agent: HICKMAN, William, E.; Shell Oil Company,
One Shell Plaza, P.o. Box 2463, Houston, TX
77252-2463 (US).

(81) Designated States (unless otherwise indicated, for every
kind of national protection available): AE, AG, AL, AM,
AO, AT, AU, AZ, BA, BB, BG, BH, BR, BW, BY, BZ,
CA, CH, CN, CO, CR, CU, CZ, DE, DK, DM, DO, DZ,
EC, EE, EG, ES, FI, GB, GD, GE, GH, GM, GT, HN,
HR, HU, ID, IL, IN, IS, JP, KE, KG, KM, KN, KP, KR,
KZ, LA, LC, LK, LR, LS, LT, LU, LY, MA, MD, ME,
MG, MK, MN, MW, MX, MY, MZ, NA, NG, NI, NO,
NZ, OM, PG, PH, PL, PT, RO, RS, RU, SC, SD, SE, SG,
SK, SL, SM, ST, SV, SY, TJ, TM, TN, TR, TT, TZ, UA,
UG, US, UZ, VC, VN, ZA, ZM, ZW.

(84) Designated States (unless otherwise indicated, for every
kind of regional protection available): ARIPO (BW, GH,
GM, KE, LS, MW, MZ, NA, SD, SL, SZ, TZ, UG, ZM,
ZW), Eurasian (AM, AZ, BY, KG, KZ, MD, RU, TJ,
TM), European (AT, BE, BG, CH, CY, CZ, DE, DK, EE,
ES, FI, FR, GB, GR, HR, HU, IE, IS, IT, LT, LU, LV,
MC, MK, MT, NL, NO, PL, PT, RO, SE, SI, SK, TR),
OAPI (BF, BJ, CF, CG, CI, CM, GA, GN, GQ, GW, ML,
MR, NE, SN, TD, TG).

[Continued on next page]

(54) Title: SYSTEMS AND METHODS FOR PRODUCING OIL AND/OR GAS



(57) Abstract: A system for producing oil and/or gas comprising a mechanism for releasing at least a portion of a sulfur containing compound into a formation; a first mechanism for converting at least a portion of the sulfur containing compound into a carbon disulfide formulation and/or a carbon oxysulfide formulation, the first mechanism for converting within the formation; and a second mechanism for converting at least a portion of the carbon disulfide formulation and/or a carbon oxysulfide formulation into another compound, the second mechanism for converting within the formation.

WO 2009/129218 A3



Published:

(88) Date of publication of the international search report:

21 January 2010

- *with international search report (Art. 21(3))*
- *before the expiration of the time limit for amending the claims and to be republished in the event of receipt of amendments (Rule 48.2(h))*

A. CLASSIFICATION OF SUBJECT MATTER*E21B 43/17(2006.01)i, E21B 43/24(2006.01)i, C10G 1/00(2006.01)i*

According to International Patent Classification (IPC) or to both national classification and IPC

B. FIELDS SEARCHED

Minimum documentation searched (classification system followed by classification symbols)

IPC 8: E21B, C10G

Documentation searched other than minimum documentation to the extent that such documents are included in the fields searched

Korean utility models and applications for utility models since 1975

Japanese utility models and applications for utility models since 1975

Electronic data base consulted during the international search (name of data base and, where practicable, search terms used)

eKOMPASS(KIPO internal) & keywords: "sulfur, carbon, disulfide and similar terms"

C. DOCUMENTS CONSIDERED TO BE RELEVANT

Category*	Citation of document, with indication, where appropriate, of the relevant passages	Relevant to claim No.
A	US 2006-254769 A1 (Dean Chien Wang et al.) 16 November 2006 See pages 1-11, figures 1-7.	1-4, 12-14
A	US 06732796 B2 (Harold J. Vinegar et al.) 11 May 2004 See the whole document.	1-4, 12-14
A	US 04230184 A (George C. Blytas) 28 October 1980 See the whole document.	1-4, 12-14
A	US 04449586 A (Peter Urban et al.) 22 May 1984 See the whole document.	1-4, 12-14

 Further documents are listed in the continuation of Box C. See patent family annex.

* Special categories of cited documents:

"A" document defining the general state of the art which is not considered to be of particular relevance

"E" earlier application or patent but published on or after the international filing date

"L" document which may throw doubts on priority claim(s) or which is cited to establish the publication date of citation or other special reason (as specified)

"O" document referring to an oral disclosure, use, exhibition or other means

"P" document published prior to the international filing date but later than the priority date claimed

"T" later document published after the international filing date or priority date and not in conflict with the application but cited to understand the principle or theory underlying the invention

"X" document of particular relevance; the claimed invention cannot be considered novel or cannot be considered to involve an inventive step when the document is taken alone

"Y" document of particular relevance; the claimed invention cannot be considered to involve an inventive step when the document is combined with one or more other such documents, such combination being obvious to a person skilled in the art

"&" document member of the same patent family

Date of the actual completion of the international search

01 DECEMBER 2009 (01.12.2009)

Date of mailing of the international search report

01 DECEMBER 2009 (01.12.2009)

Name and mailing address of the ISA/KR

Korean Intellectual Property Office
Government Complex-Daejeon, 139 Seonsa-ro, Seo-gu,
Daejeon 302-701, Republic of Korea

Facsimile No. 82-42-472-7140

Authorized officer

LEE Byung Kyul

Telephone No. 82-42-481-8436



Box No. II Observations where certain claims were found unsearchable (Continuation of item 2 of first sheet)

This international search report has not been established in respect of certain claims under Article 17(2)(a) for the following reasons:

1. Claims Nos.:
because they relate to subject matter not required to be searched by this Authority, namely:

2. Claims Nos.:
because they relate to parts of the international application that do not comply with the prescribed requirements to such an extent that no meaningful international search can be carried out, specifically:

3. Claims Nos.: 5-11, 15-22
because they are dependent claims and are not drafted in accordance with the second and third sentences of Rule 6.4(a).

Box No. III Observations where unity of invention is lacking (Continuation of item 3 of first sheet)

This International Searching Authority found multiple inventions in this international application, as follows:

1. As all required additional search fees were timely paid by the applicant, this international search report covers all searchable claims.
2. As all searchable claims could be searched without effort justifying an additional fee, this Authority did not invite payment of any additional fee.
3. As only some of the required additional search fees were timely paid by the applicant, this international search report covers only those claims for which fees were paid, specifically claims Nos.:

4. No required additional search fees were timely paid by the applicant. Consequently, this international search report is restricted to the invention first mentioned in the claims; it is covered by claims Nos.:

Remark on Protest

- The additional search fees were accompanied by the applicant's protest and, where applicable, the payment of a protest fee.
- The additional search fees were accompanied by the applicant's protest but the applicable protest fee was not paid within the time limit specified in the invitation.
- No protest accompanied the payment of additional search fees.

INTERNATIONAL SEARCH REPORT

Information on patent family members

International application No.

PCT/US2009/040476

Patent document cited in search report	Publication date	Patent family member(s)	Publication date
US 2006-254769 A1	16.11.2006	AU 2006-240103 A1 CA 2606215 A1 EP 1871988 A2 NO 20075965 A US 07426959 B2 US 2008-302532 A1 WO 2006-115965 A2 WO 2006-115965 A3	02.11.2006 02.11.2006 02.01.2008 18.01.2008 23.09.2008 11.12.2008 02.11.2006 28.12.2006
US 06732796 B2	11.05.2004	US 2002-170708 A1	21.11.2002
US 04230184 A	28.10.1980	None	
US 04449586 A	22.05.1984	US 04438816 A	27.03.1984