



US00D888862S

(12) **United States Design Patent**
Tueller

(10) **Patent No.:** **US D888,862 S**

(45) **Date of Patent:** **** Jun. 30, 2020**

- (54) **MULTIPURPOSE GOLF TOOL**
- (71) Applicant: **Skinny Golf, LLC**, North Salt Lake, UT (US)
- (72) Inventor: **Kyle Troy Tueller**, North Salt Lake, UT (US)
- (73) Assignee: **Skinny Golf, LLC**, North Salt Lake, UT (US)
- (**) Term: **15 Years**

Primary Examiner — Mitchell I. Siegel
(74) *Attorney, Agent, or Firm* — Austin Rapp

- (21) Appl. No.: **29/689,155**
- (22) Filed: **Apr. 26, 2019**

Related U.S. Application Data

- (63) Continuation of application No. 29/676,699, filed on Jan. 14, 2019.
- (51) **LOC (12) Cl.** **21-02**
- (52) **U.S. Cl.** **D21/793**
- (58) **Field of Classification Search**
- USPC D21/789, 793–795
- CPC A63B 57/00; A63B 57/05; A63B 57/12; A63B 57/16; A63B 57/20; A63B 57/30; A63B 57/35; A63B 57/353; A63B 57/207
- See application file for complete search history.

(56) **References Cited**

U.S. PATENT DOCUMENTS

- D190,333 S * 5/1961 Gunderson D21/795
- 5,022,650 A * 6/1991 Madock A63B 57/207
473/408
- D347,255 S * 5/1994 Kerr 15/105
(Continued)

OTHER PUBLICATIONS

U.S. Appl. No. 29/676,699, filed Jan. 14, 2019, Tueller.
(Continued)

(57) **CLAIM**

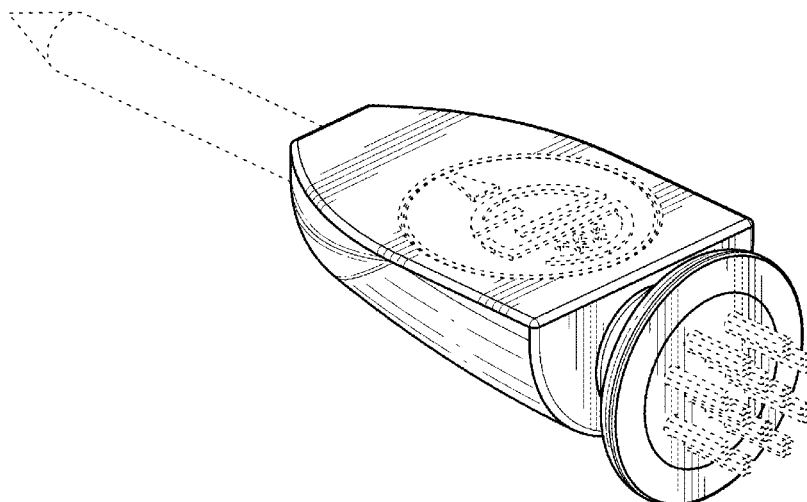
The ornamental design for a multipurpose golf tool, as shown and described.

DESCRIPTION

FIG. 1 is a first top perspective view of a multipurpose golf tool, according to my new design;
 FIG. 2 is a second top perspective view of the multipurpose golf tool;
 FIG. 3 is a first bottom perspective view of the multipurpose golf tool;
 FIG. 4 is a second bottom perspective view of the multipurpose golf tool;
 FIG. 5 is a left side elevational view of the multipurpose golf tool;
 FIG. 6 is a right side elevational view of the multipurpose golf tool;
 FIG. 7 is a front side elevational view of the multipurpose golf tool;
 FIG. 8 is a rear side elevational view of the multipurpose golf tool;
 FIG. 9 is a top side view of the multipurpose golf tool;
 FIG. 10 is a bottom side view of the multipurpose golf tool;
 FIG. 11 is a perspective view of the multipurpose golf tool of FIG. 1 shown with the unclaimed removable ball marker removed for clarity of illustration;
 FIG. 12 is a second perspective view of the multipurpose golf tool of FIG. 11; and,
 FIG. 13 is a top side view of the multipurpose golf tool of FIG. 11.

The broken lines in the figures are included for the purpose of illustrating unclaimed portions of the multipurpose golf tool and form no part of the claimed design.

1 Claim, 11 Drawing Sheets



(56)

References Cited

U.S. PATENT DOCUMENTS

D347,872	S *	6/1994	Lyman	15/105
D353,645	S *	12/1994	Robidoux	D21/795
D394,692	S *	5/1998	Edwards	D21/793
D398,360	S *	9/1998	George	D21/793
D423,069	S *	4/2000	Hsu	D21/793
6,053,822	A *	4/2000	Kolodney	A63B 57/10 473/401
6,220,973	B1 *	4/2001	Hsu	A63B 57/207 473/408
D489,111	S *	4/2004	Perez	D21/795
D491,619	S *	6/2004	Crouse	A63B 57/16 D21/718
D526,378	S *	8/2006	Blanks	D21/793
D554,726	S *	11/2007	Blanks	D21/793
D565,688	S *	4/2008	Bailey	D21/793
D683,413	S *	5/2013	Revert	D21/793
D695,864	S *	12/2013	Warfield	D21/793
8,764,587	B2 *	7/2014	Sinanis	A63B 57/0037 473/387
D767,069	S *	9/2016	Maloy	D21/793
D822,780	S *	7/2018	Fallon	D21/793
D832,960	S *	11/2018	Fallon	D21/793
D832,961	S *	11/2018	Yevchak	D21/793
D861,100	S *	9/2019	Jones	D21/793

OTHER PUBLICATIONS

I.VALUX, Dustpan with Brush to Clean Golf [Inaccurate title listed in the attachment. Possible title: "Golf Divot Tool," which is shown on the product packaging depicted in the attachment] publication [online][retrieved on Jan. 7, 2019] apparently published on or before Feb. 9, 2017, retrieved from the Internet: <URL: <https://www.amazon.com/i-VALUX-Divot-Cleaning-Groove-Cleaner/dp/B01GRIZDQY>> (shown in attachment 1).

Andux, Andux 3 in one Golf Brush Groove Cleaner Pocket Size Plastic Club Kit Tool SZ-2, publication [online] [retrieved on Jan. 7, 2019] apparently published on or before Mar. 17, 2014, retrieved from the Internet: <URL: <https://www.amazon.com/Andux-Groove-Cleaner-Pocket-Plastic/dp/B00HH0OBNI>> (shown in attachment 2).

Perfect Life Ideas, Perfect Life Ideas 6 in 1 Golf Multi Function All in One Golfers Tool—Includes Divot Repair Tool, Ball Marker, Club Groove Cleaner, Scrub Cleaning Brush, Spike Wrench, and Knife in Metal Gift Box, publication [online] [retrieved on Jan. 7, 2019] apparently published on or before Feb. 12, 2017, retrieved from the Internet: <URL: <https://www.amazon.com/Perfect-Life-Ideas-Function-Golfers/dp/B01N7JK4MS>> (shown in attachment 3).

Aonal, Golf Club Brush and Groove Cleaner with 2 Ft Retractable Zip-line and Aluminum Carabiner Cleaning Tools + 5 in 1 Golf Pocket Divot Tool, publication [online] [retrieved on Jan. 7, 2019] apparently published on or before Nov. 19, 2012, retrieved from the Internet: <URL: <https://www.amazon.com/Retractable-Zip-line-Aluminum-Carabiner-Cleaning/dp/B07F7WSR52>> (shown in attachment 4).

Swiss Ascent, Golfer's Best Tool Golf Multitool All-IN-ONE—Stroke Counter, Divot Repair Tool, Brush, Ball Marker, Cleat Tightener, Club Groove Cleaner, Best Golf Gift Idea for Men Women, Souvenir, Present; publication [online] [retrieved on Jan. 7, 2019] apparently published on or before Dec. 23, 2016, retrieved from the Internet: <URL: <https://www.amazon.com/Golfers-Best-Tool-Golf-Multitool/dp/B01N2PGRFV>> (shown in attachment 5). golfballs.com, Logo Golf Groove Multi-Purpose Tool, publication [online] [retrieved on Jan. 7, 2019] apparently published on or before Sep. 25, 2015, retrieved from the Internet Archive: <URL: <https://web.archive.org/web/20150925072942/https://www.golfballs.com/Golf-Misc/Tools/Logo-Golf-Groove-Multi-Purpose-Tool.htm>> (shown in attachment 6).

Callaway Golf Company, Callaway 4-in-1 Divot Repair Tool, publication [online] [retrieved on Jan. 7, 2019] apparently published on or before Jul. 21, 2017, retrieved from the Internet: <URL: <https://www.amazon.com/Callaway-4-in-1-Divot-Repair-Tool/dp/B06XGNHD7B>> (shown in attachment 7).

Pitchfix, Pitchfix Fusion Single Prong Divot Tool Gunmetal/Red, with extra marker, publication [online] [retrieved on Jan. 14, 2019] apparently published on or before Jan. 12, 2019, retrieved from the Internet: <URL: <https://www.amazon.com/Pitchfix-Fusion-Single-Gunmetal-marker/dp/B072P216WK>> (shown in attachment 8).

Preliminary Amendment, U.S. Appl. No. 29/676,699, dated Apr. 26, 2019 (shown in attachment 9).

* cited by examiner

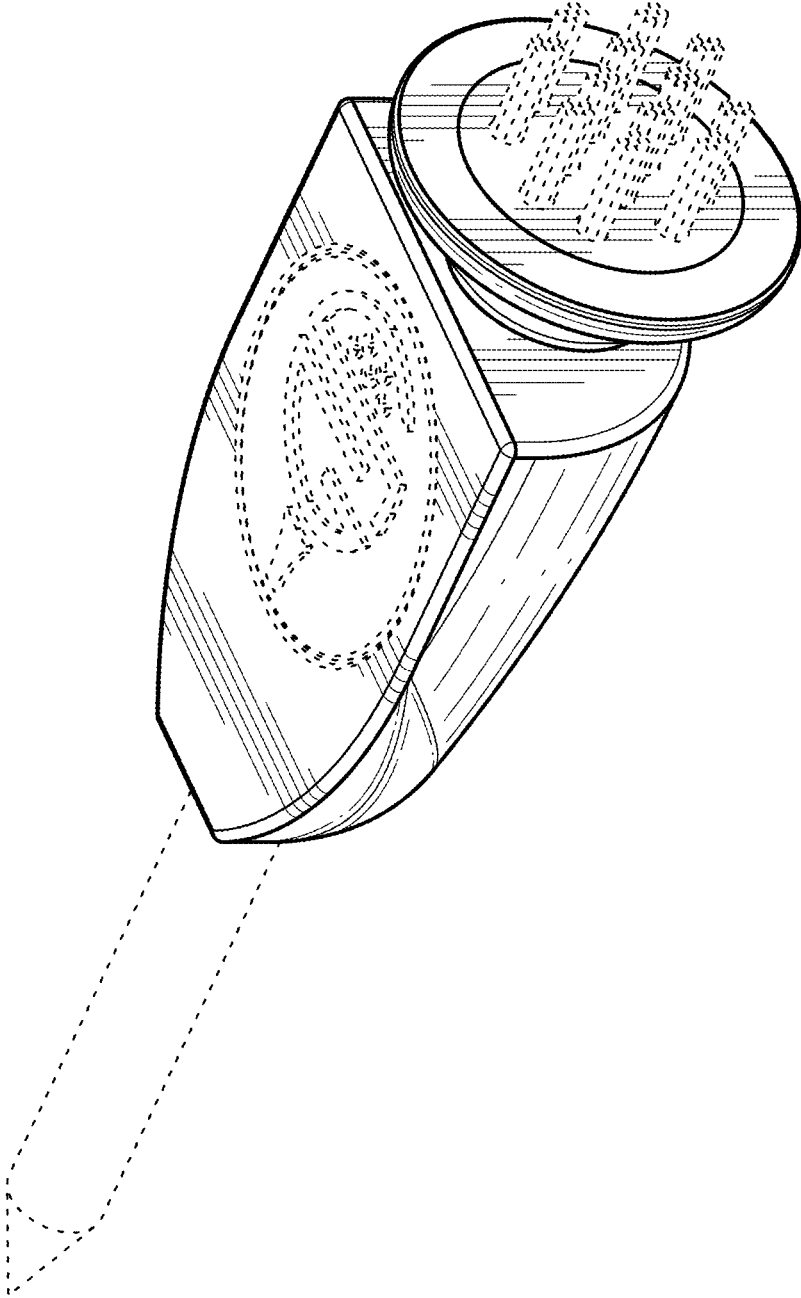


FIG. 1

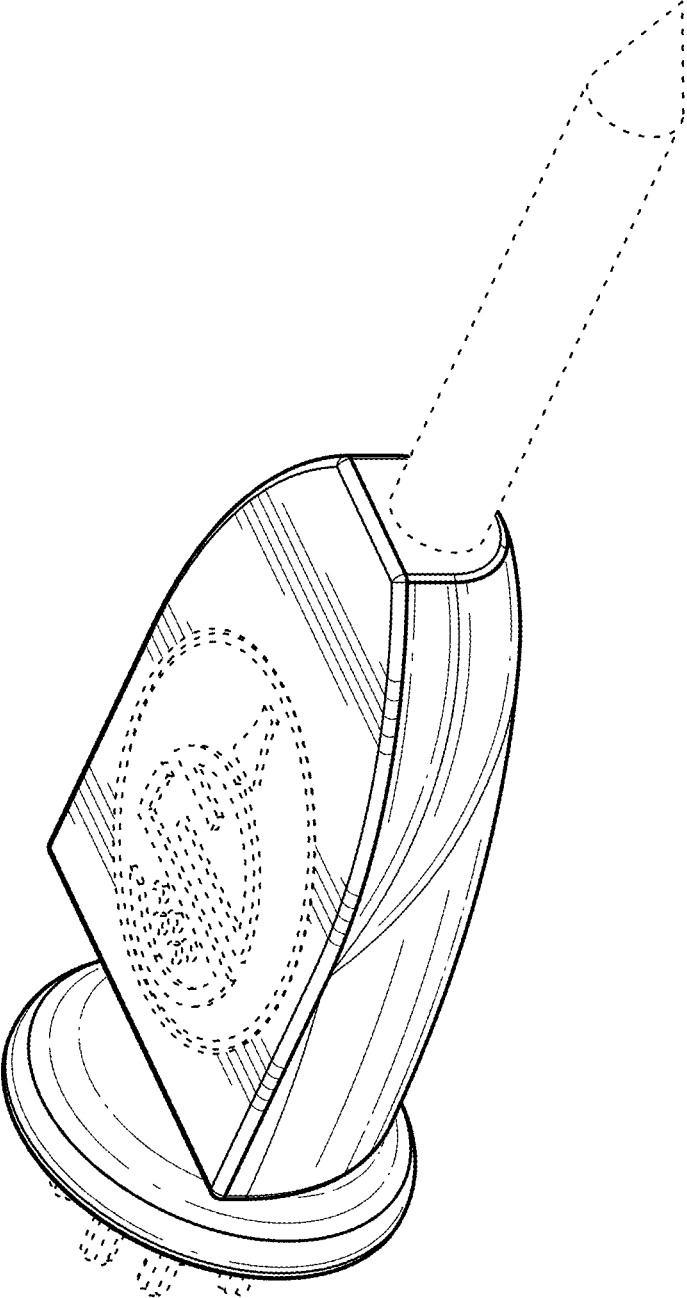


FIG. 2

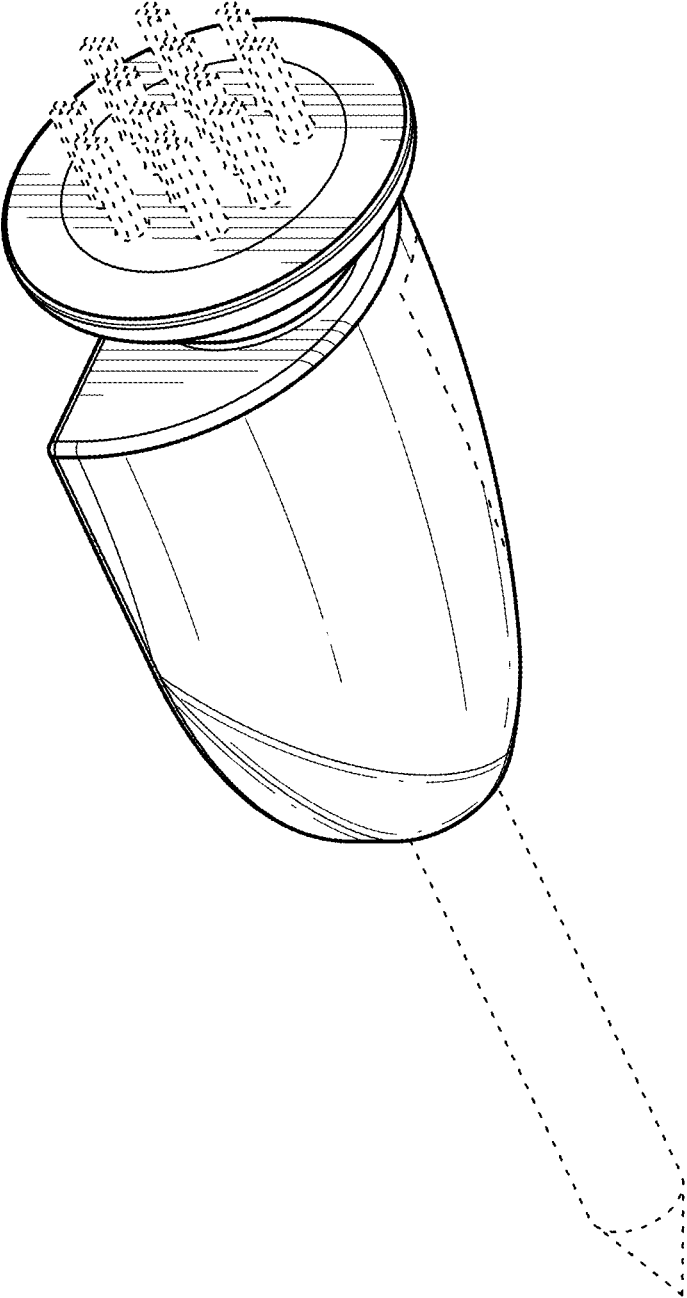


FIG. 3

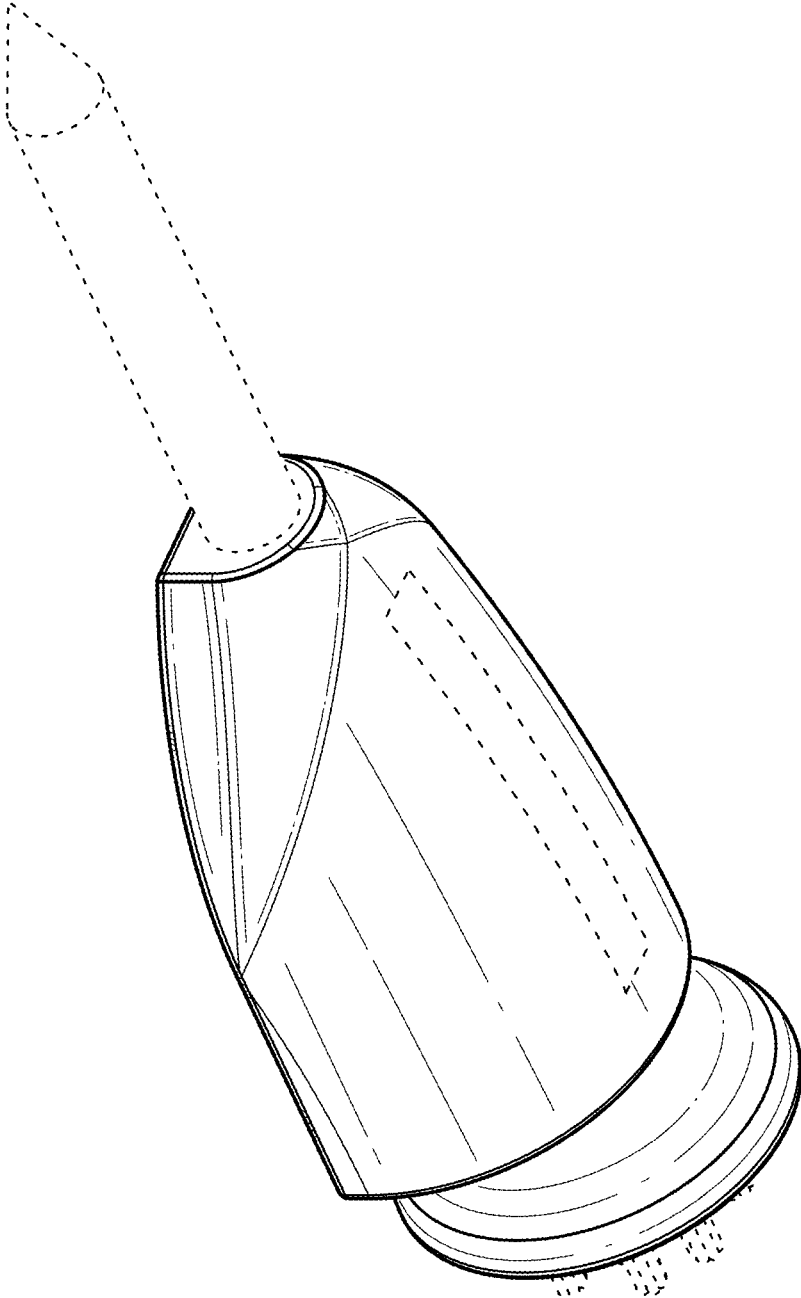


FIG. 4

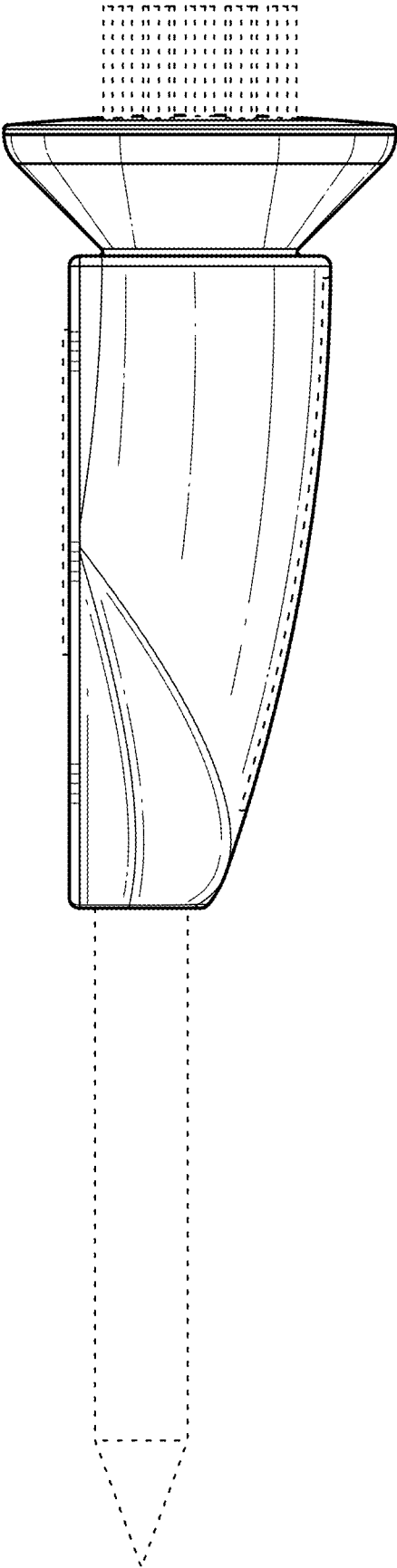


FIG. 5

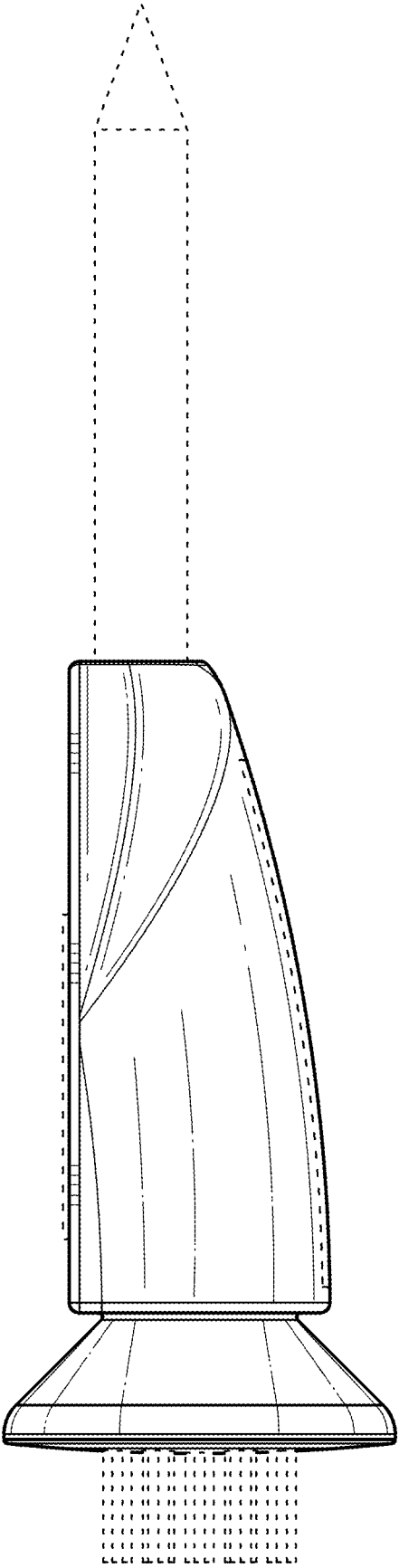


FIG. 6

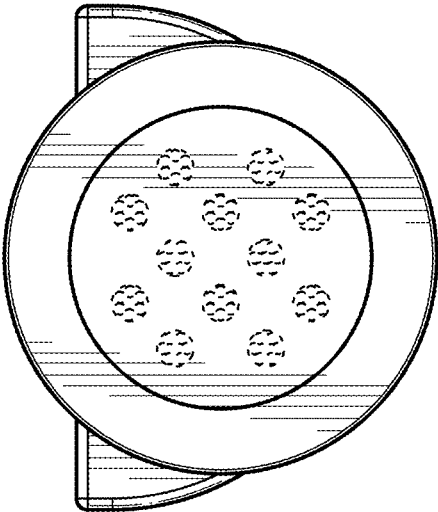


FIG. 7

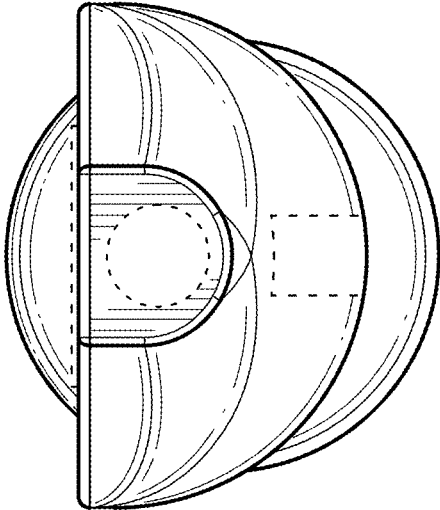


FIG. 8

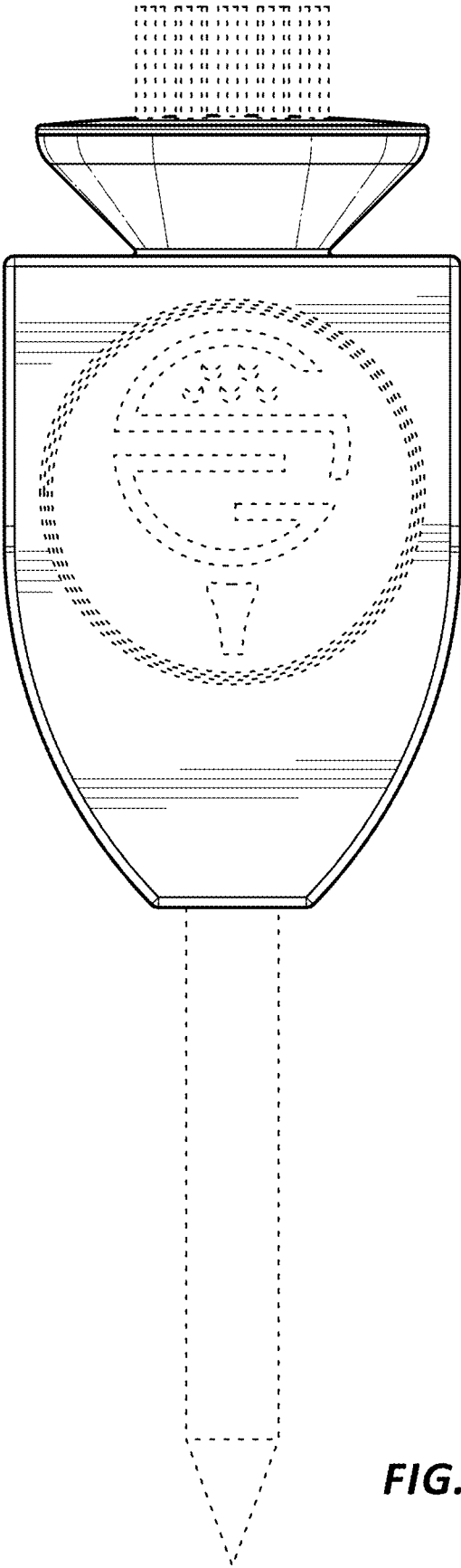


FIG. 9

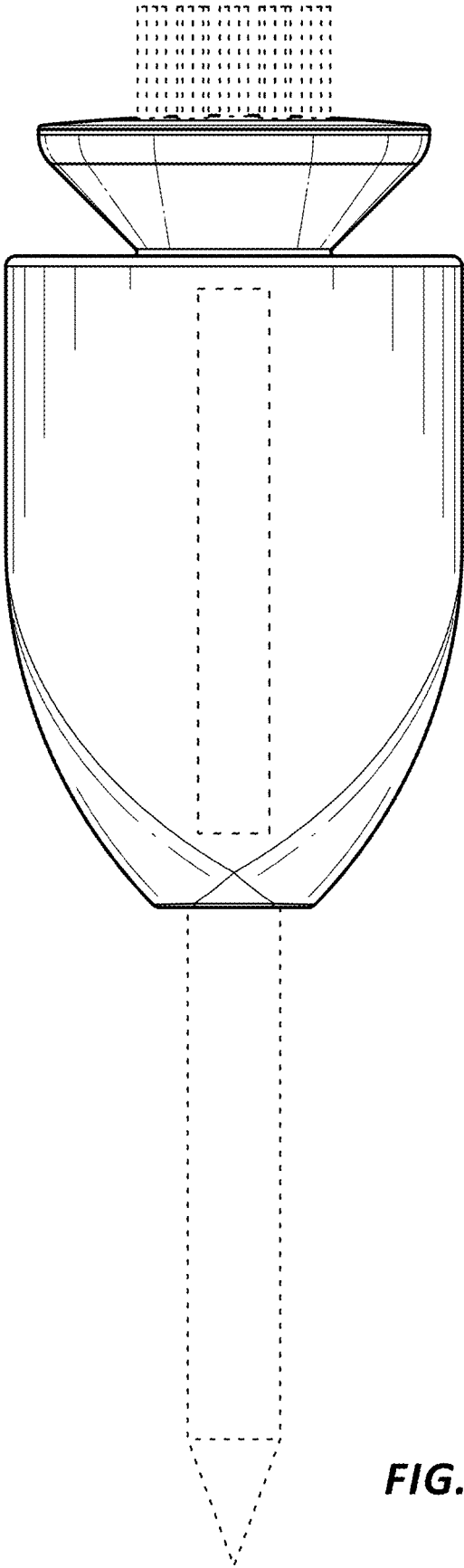


FIG. 10

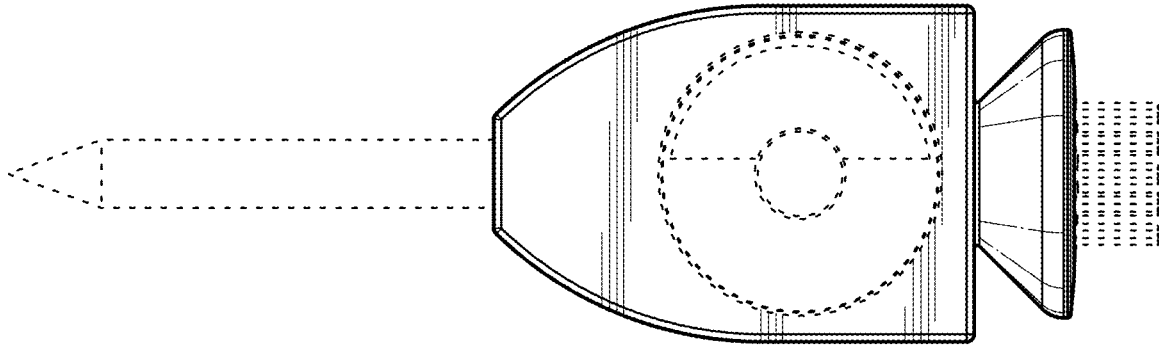


FIG. 13

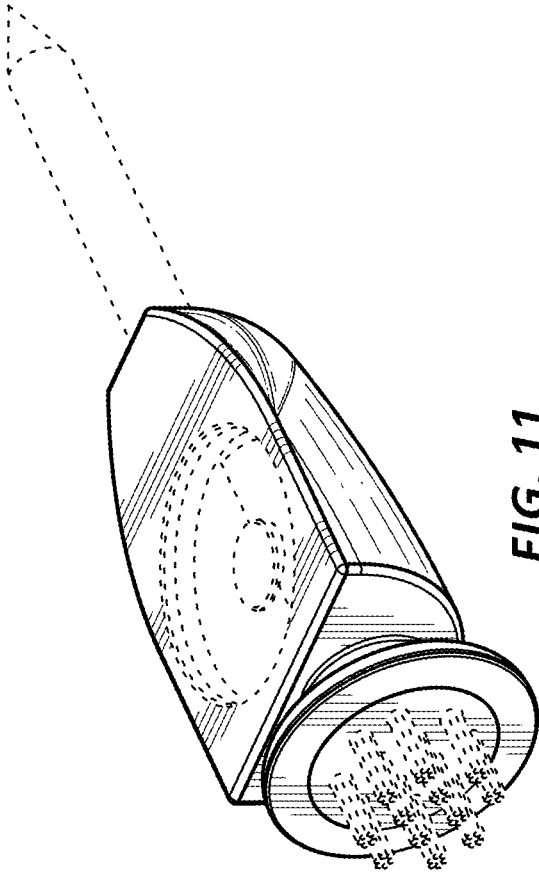


FIG. 11

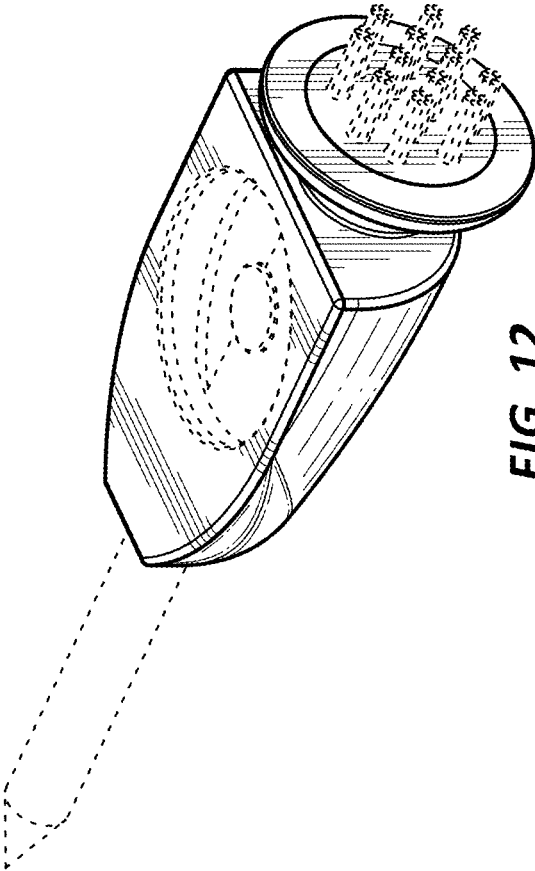


FIG. 12