



(12) **United States Design Patent**  
**Zhang**

(10) **Patent No.:** **US D1,048,255 S**  
(45) **Date of Patent:** **\*\* Oct. 22, 2024**

- (54) **SPLASH TOY**
- (71) Applicant: **Yanfei Zhang**, Shenzhen (CN)
- (72) Inventor: **Yanfei Zhang**, Shenzhen (CN)
- (\*\*) Term: **15 Years**
- (21) Appl. No.: **29/882,822**
- (22) Filed: **Jan. 19, 2023**
- (51) **LOC (14) Cl.** ..... **21-01**
- (52) **U.S. Cl.**  
USPC ..... **D21/713**
- (58) **Field of Classification Search**  
USPC ..... D21/398, 473, 483, 572, 576, 597–599,  
D21/678, 714, 803, 808; D11/160  
CPC ..... A63H 23/00; A63H 23/10; A63H 23/16;  
A63H 23/12; A63H 7/00; A63H 7/06;  
A63H 3/26  
See application file for complete search history.

Infant-Toddlers-Infants-Bathtub-Floating/dp/B0C9Q362H1/ref=asc\_df\_B0C9Q2DPRL/?> (Year: 2023).\*

Soppycid Patent Self-Sealing Reusable Water Balloons, site visited Mar. 20, 2024 [online]. Available from internet, URL: <https://soppycid.com/products/reusable-water-balloons> (Year: 2024).\*

2024 Factory Bulk Reusable Magnetic Water Balloon For Kids, site visited Mar. 20, 2024 [online]. Available from internet, URL: <https://www.alibaba.com/product-detail/2024-Factory-Bulk-Reusable-Magnetic-Water\_1601033233669.html> (Year: 2024).\*

Himiway 12Pcs Reusable Water Balloons, site visited Mar. 20, 2024 [online].<https://www.walmart.com/ip/Don-t-Miss-Out-Exciting-Water-Balloon-Toss-Games-HIMIWAY-12Pcs-Reusable-Balloons-Quick-Fill-Refillable-Self-Sealing-Bomb-Splash-Balls-Swimming-Pools/3255257533?> (Year: 2024).\*

\* cited by examiner

*Primary Examiner* — Lauren D McVey

*Assistant Examiner* — Elisa Maria Pujals

(74) *Attorney, Agent, or Firm* — Jose Cherson Weissbrot

(56) **References Cited**

**U.S. PATENT DOCUMENTS**

2,135,210	A	*	11/1938	Farrar	.....	A63B 37/0011 473/383
D243,430	S	*	2/1977	Thrush	.....	D7/539
D400,620	S	*	11/1998	Barton, Jr.	.....	D21/713
D476,044	S	*	6/2003	Nailor	.....	D21/597
D638,884	S	*	5/2011	Shoemaker, Jr.	.....	D21/386
D661,540	S	*	6/2012	Facey	.....	D7/354
D769,377	S	*	10/2016	Wolf	.....	D21/468
D831,750	S	*	10/2018	Fontaine	.....	D21/398
D872,391	S	*	1/2020	Crane	.....	D30/160
D927,799	S	*	8/2021	Zhou	.....	D30/160
D946,675	S	*	3/2022	Chen	.....	D21/680
D981,513	S	*	3/2023	Su	.....	D21/713
D1,003,366	S	*	10/2023	Chen	.....	D21/713

**FOREIGN PATENT DOCUMENTS**

CN	308015064	*	5/2023
CN	308107657	*	6/2023
GB	8209229000-1000	*	11/2019

**OTHER PUBLICATIONS**

Amazon.com\_ Bath Toys Mold Free, announced Nov. 27, 2023 [online]. Available from internet, URL:<https://www.amazon.com/

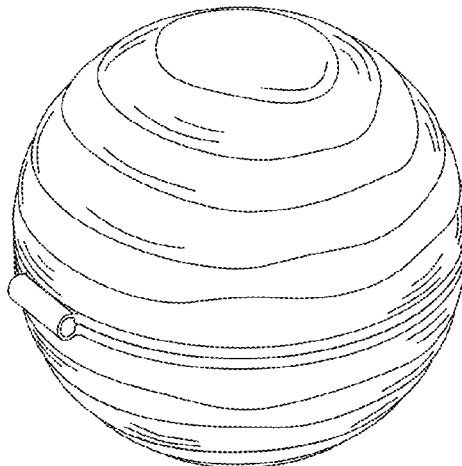
(57) **CLAIM**

The ornamental design for a splash toy, as shown and described.

**DESCRIPTION**

FIG. 1 is a top plan view of a splash toy showing my new design;  
 FIG. 2 is a left-side elevation view thereof;  
 FIG. 3 is a bottom plan view thereof;  
 FIG. 4 is a rear elevation view thereof;  
 FIG. 5 is a front elevation view thereof;  
 FIG. 6 is a right-side elevation view thereof; and,  
 FIG. 7 is a perspective view thereof.

**1 Claim, 7 Drawing Sheets**



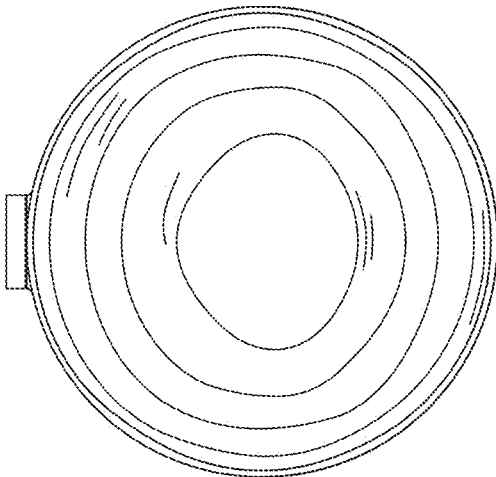


FIG.1

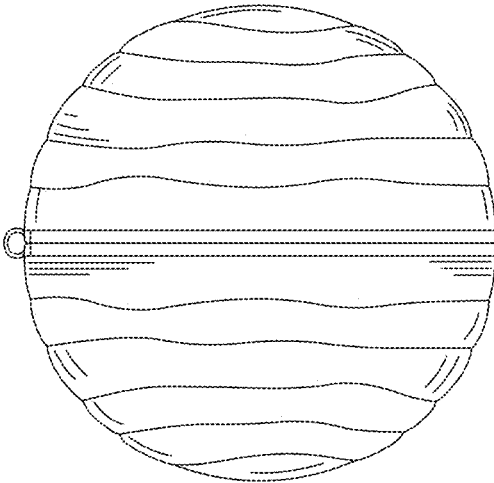


FIG.2

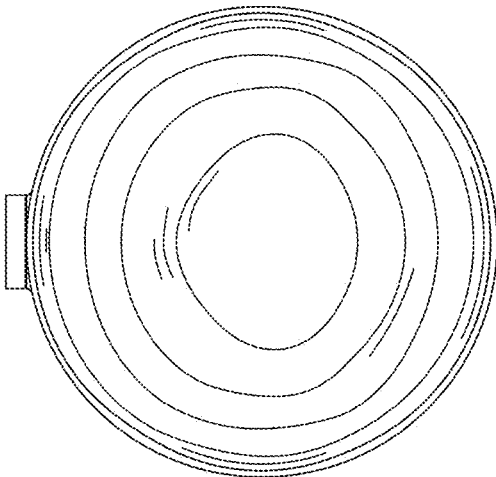


FIG.3

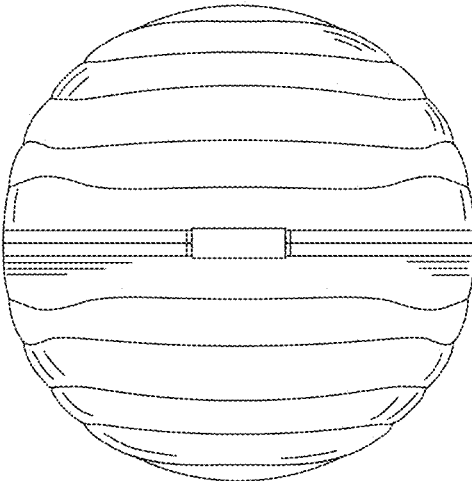


FIG.4

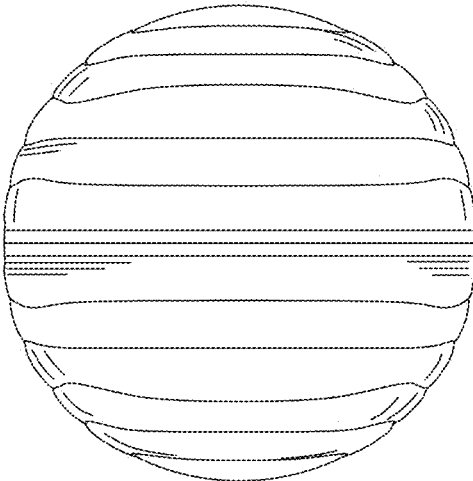


FIG.5

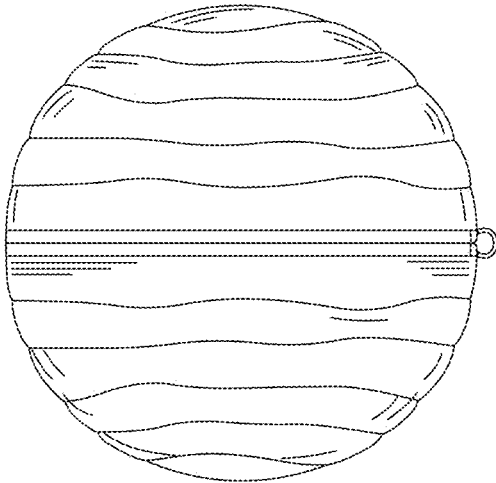


FIG.6

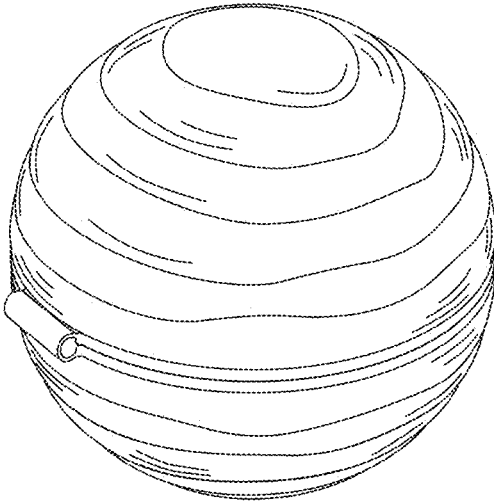


FIG.7