



US00D416750S

# United States Patent [19] Persson

[11] Patent Number: Des. 416,750

[45] Date of Patent: \*\* Nov. 23, 1999

[54] OPEN AIR STOVE

|           |         |           |       |         |
|-----------|---------|-----------|-------|---------|
| 4,177,790 | 12/1979 | Zenzaburo | ..... | 126/38  |
| 4,454,859 | 6/1984  | Vincent   | ..... | 126/38  |
| 5,803,727 | 9/1998  | Long      | ..... | 431/247 |

[75] Inventor: Jerker Persson, Göteborg, Sweden

[73] Assignee: Primus AB, Solina, Sweden

[\*\*] Term: 14 Years

Primary Examiner—Ruth McNroy  
Attorney, Agent, or Firm—Banner & Witcoff, Ltd.

[21] Appl. No.: 29/082,091

### [57] CLAIM

[22] Filed: Jan. 14, 1998

The ornamental design for an open air stove, as shown and described.

### [30] Foreign Application Priority Data

Jul. 14, 1997 [SE] Sweden ..... 97-1610

### DESCRIPTION

[51] LOC (6) Cl. .... 07-02

[52] U.S. Cl. .... D7/337

[58] Field of Search ..... D7/332, 337, 402-404,  
D7/362; 126/9 R, 25 R, 29-30, 38, 39 E,  
40, 41 R, 39 R, 9 B

FIG. 1 is a top perspective view of an open air stove showing my new design;

FIG. 2 is a bottom perspective view of the open air stove shown in FIG. 1;

FIG. 3 is an elevational view of the front side of the open air stove as shown in FIG. 1;

FIG. 4 is an elevational view of the rear side of the open air stove as shown in FIG. 1; and,

FIG. 5 is an elevational view of the left side of the open air stove as shown in FIG. 1.

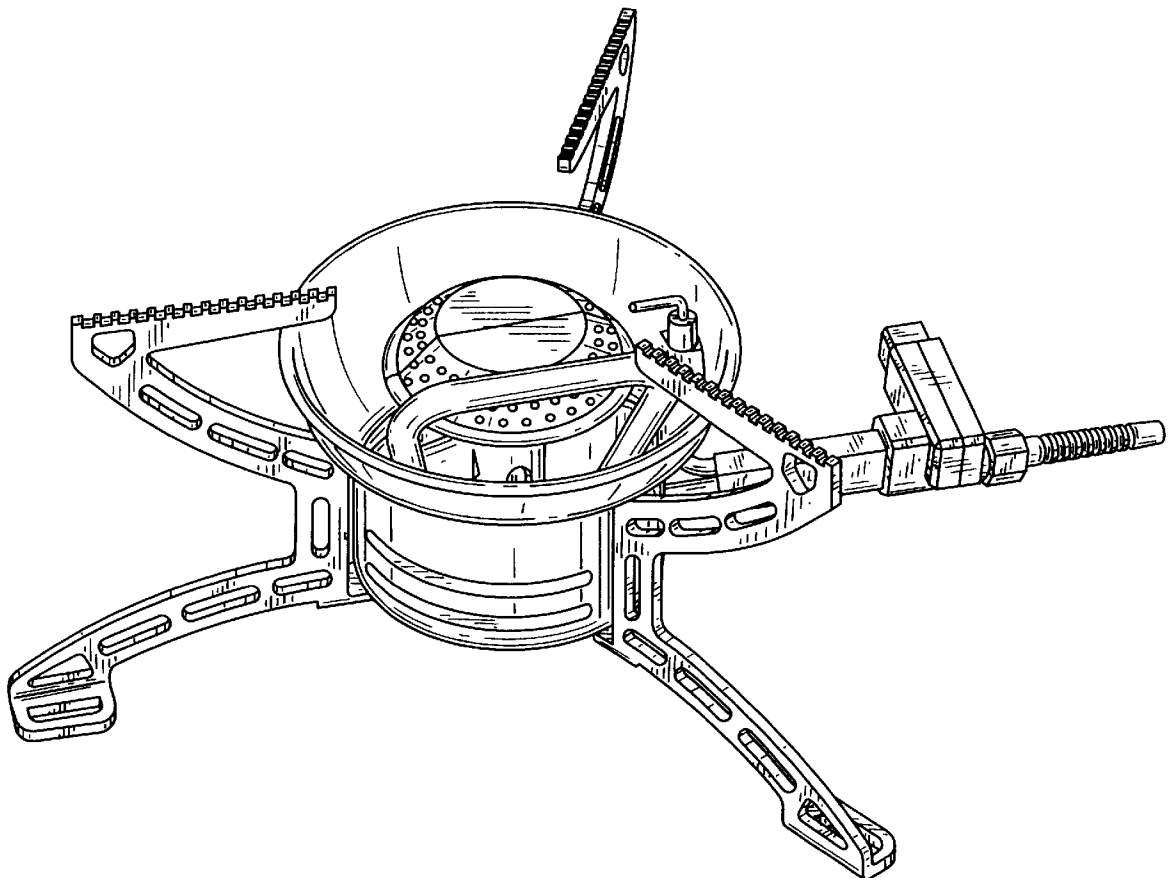
The portion not completely shown on the top in FIG. 1 forms no part of the claimed design.

### [56] References Cited

#### U.S. PATENT DOCUMENTS

|            |         |                |       |        |
|------------|---------|----------------|-------|--------|
| D. 355,809 | 2/1995  | Kothrade       | ..... | D7/337 |
| D. 371,716 | 7/1996  | Jo             | ..... | D7/337 |
| D. 375,223 | 11/1996 | Parnell et al. | ..... | D7/337 |

1 Claim, 5 Drawing Sheets



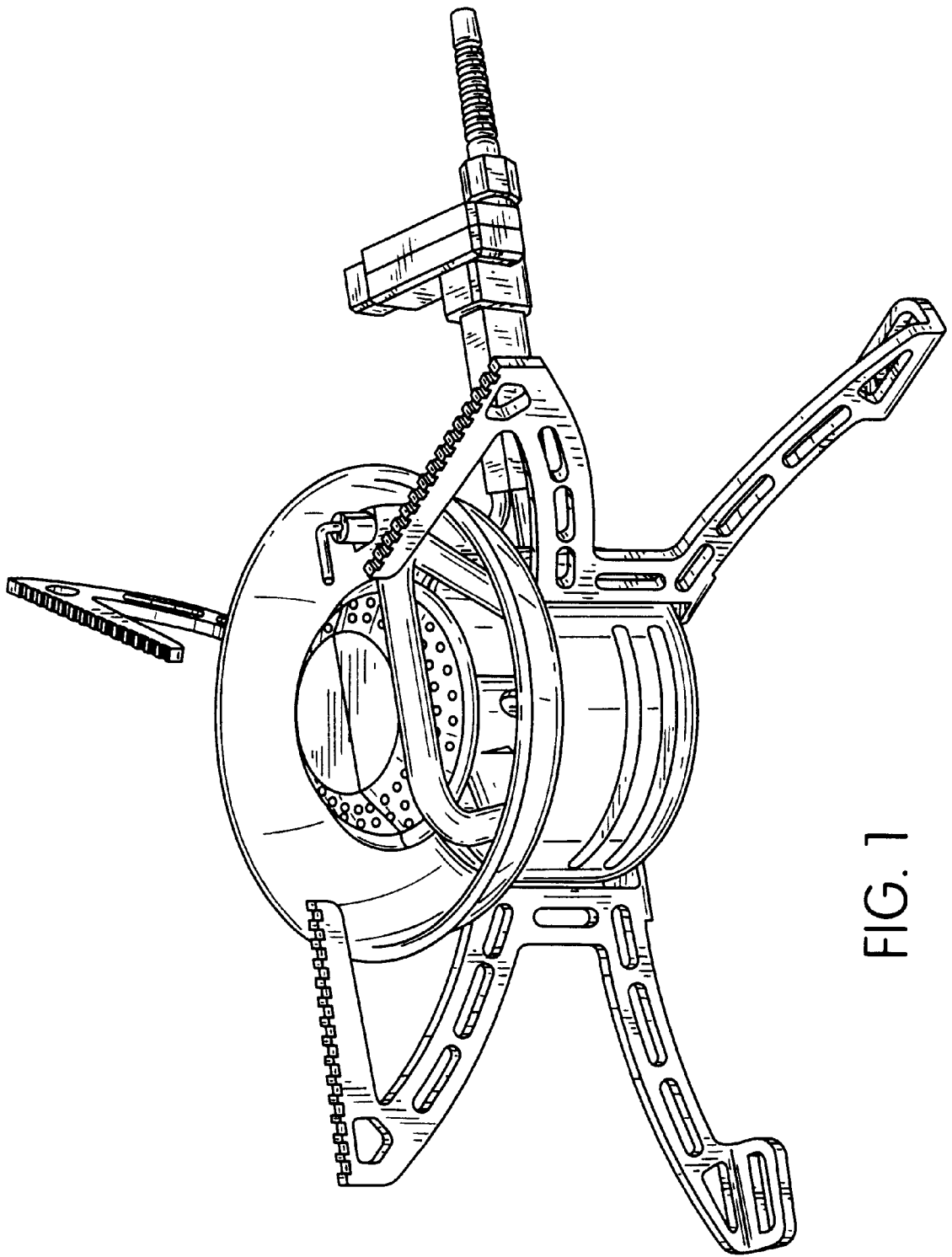


FIG. 1

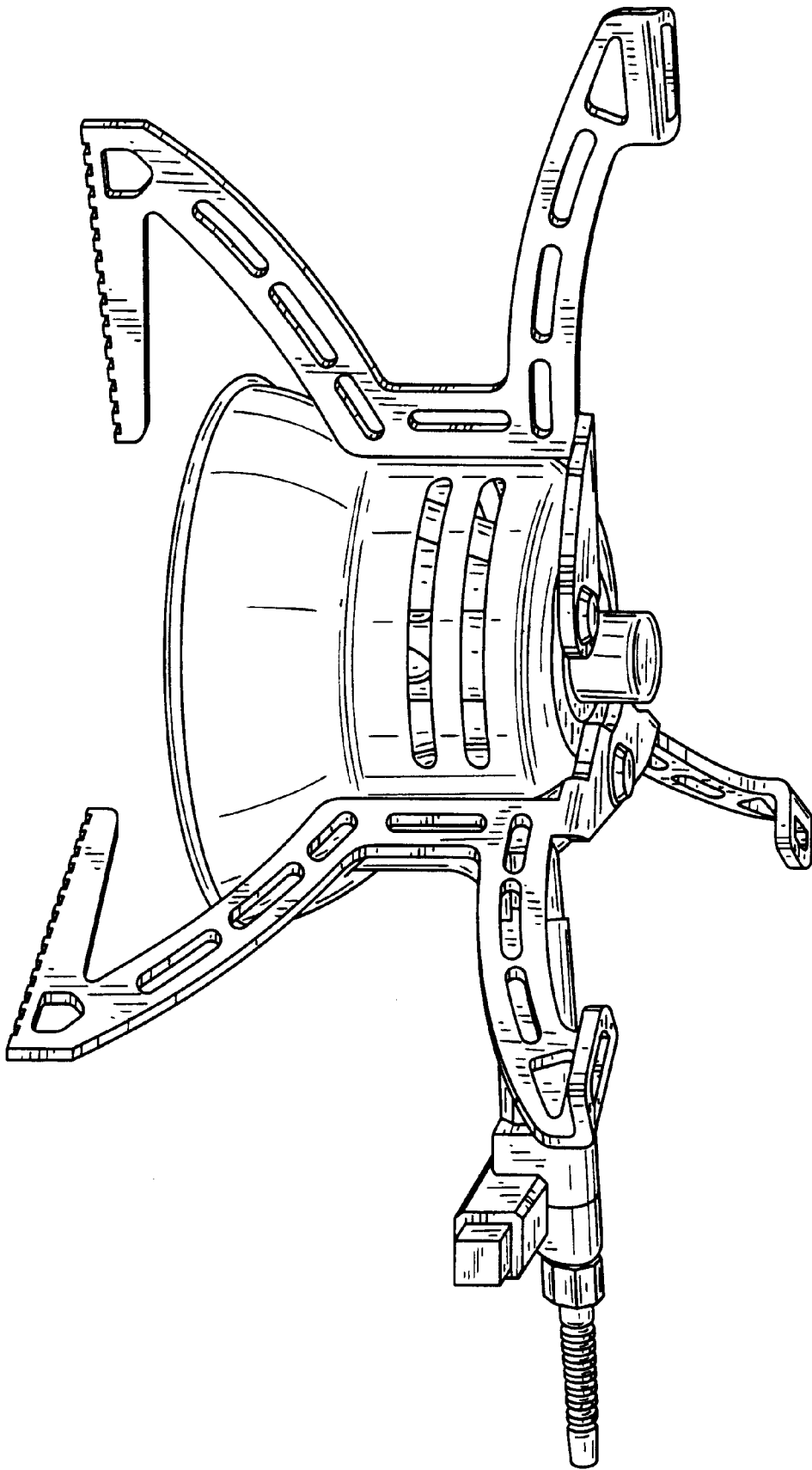


FIG. 2

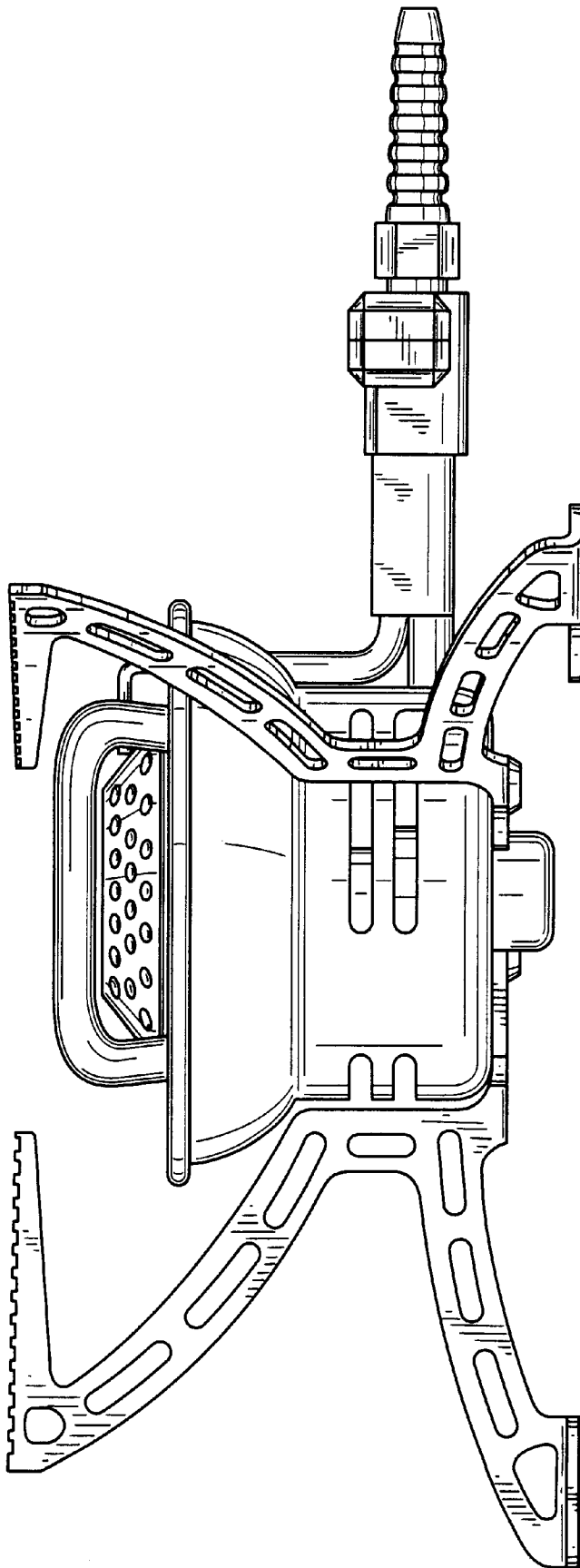


FIG. 3

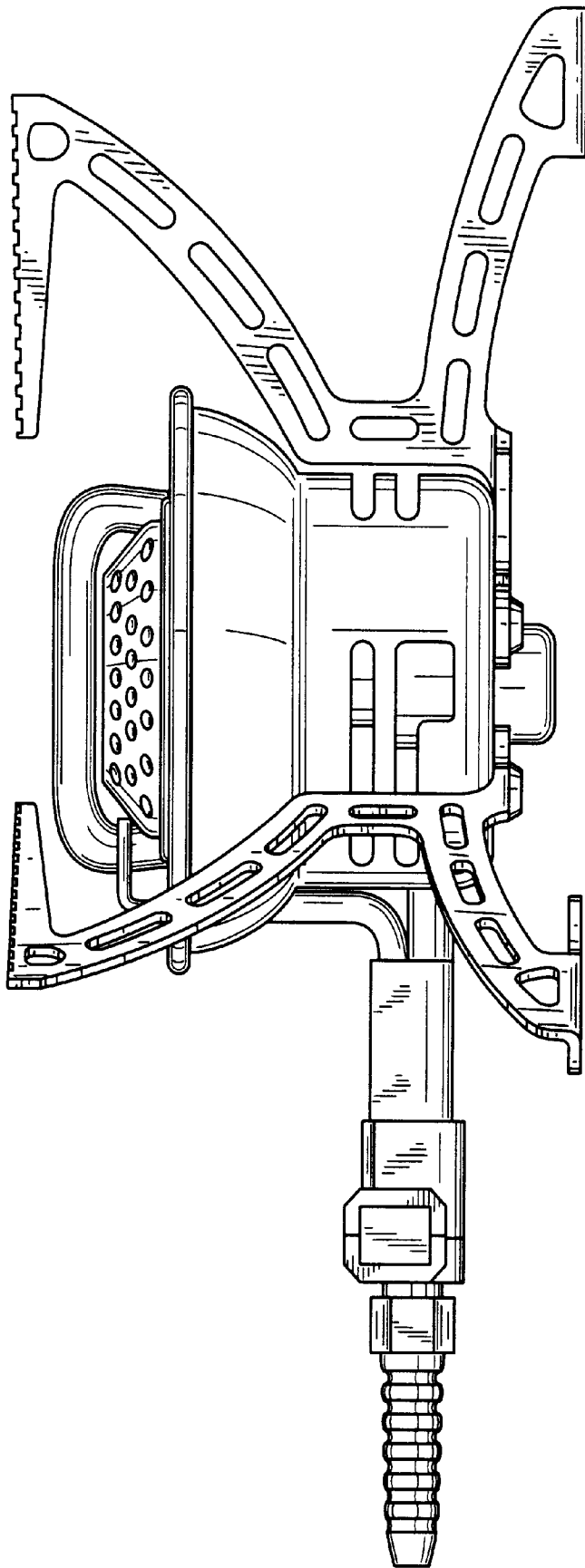


FIG. 4

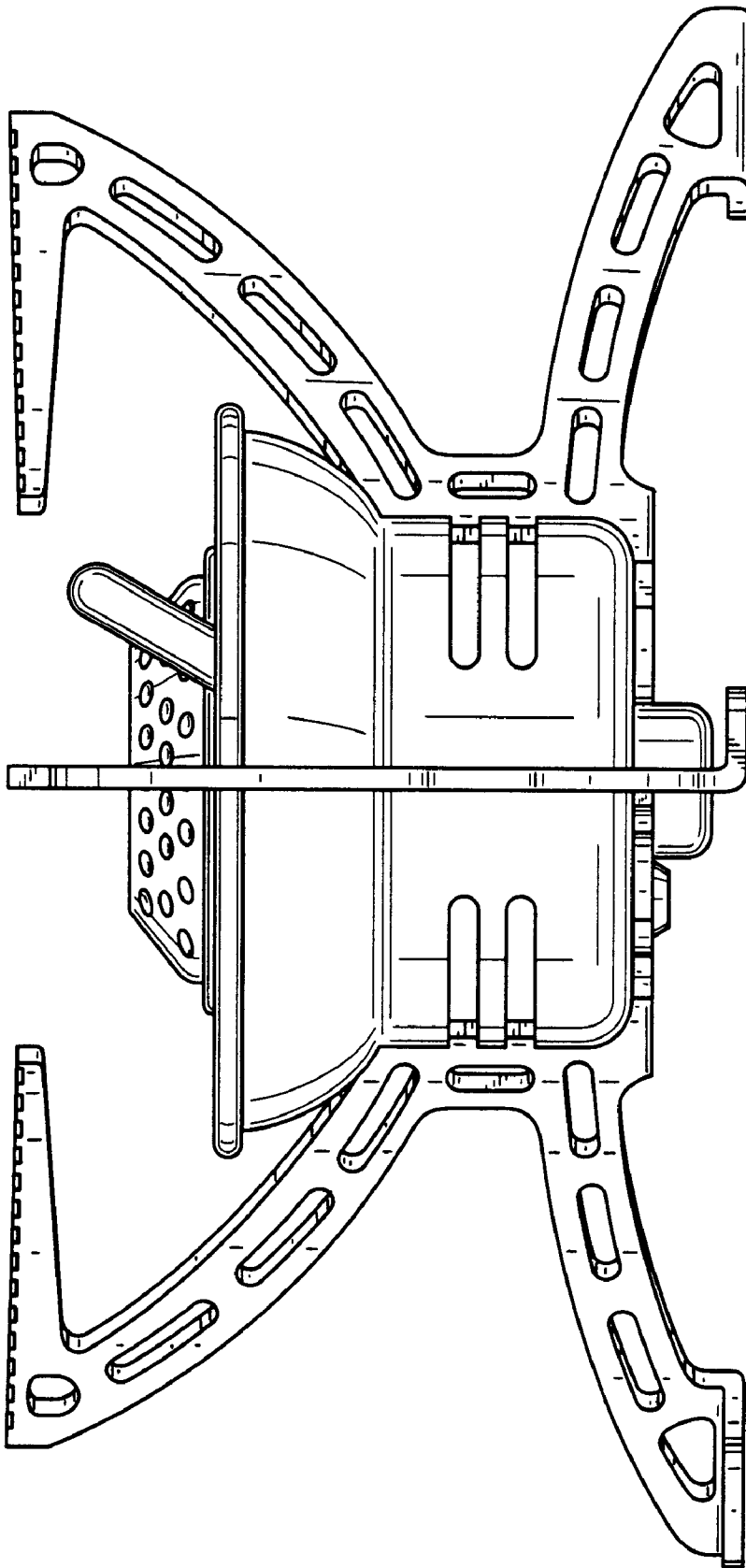


FIG. 5