



US0D1046438S

(12) **United States Design Patent**
Liu

(10) **Patent No.:** **US D1,046,438 S**

(45) **Date of Patent:** **** Oct. 15, 2024**

(54) **TOILETRY BAG**

(71) Applicant: **Xinping Liu**, Guangdong (CN)

(72) Inventor: **Xinping Liu**, Guangdong (CN)

(**) Term: **15 Years**

(21) Appl. No.: **29/944,900**

(22) Filed: **May 30, 2024**

(51) **LOC (14) Cl.** **03-02**

(52) **U.S. Cl.**
USPC **D3/205**

(58) **Field of Classification Search**
USPC D3/205, 206, 232, 233, 289, 301
CPC A45C 11/00; A45C 11/008; A45C 11/26
See application file for complete search history.

(56) **References Cited**

U.S. PATENT DOCUMENTS

D423,771 S *	5/2000	Gomez	D3/205
D453,416 S *	2/2002	Terry	D3/205
D494,360 S *	8/2004	Ostermann	D3/205
D557,892 S *	12/2007	Greiner	D3/205
D628,384 S *	12/2010	McCarthy	D3/289
D815,435 S *	4/2018	Kukathas	D3/285
D819,956 S *	6/2018	Woodard	D3/205
D857,375 S *	8/2019	Case	D3/205

D858,086 S *	9/2019	Case	D3/205
D883,656 S *	5/2020	Huai	D3/206
D903,301 S *	12/2020	Chen	D3/206
D942,751 S *	2/2022	Yuan	D3/205
D972,299 S *	12/2022	Zhou	D3/289
D994,321 S	8/2023	Viger et al.		

* cited by examiner

Primary Examiner — Charles D Hanson

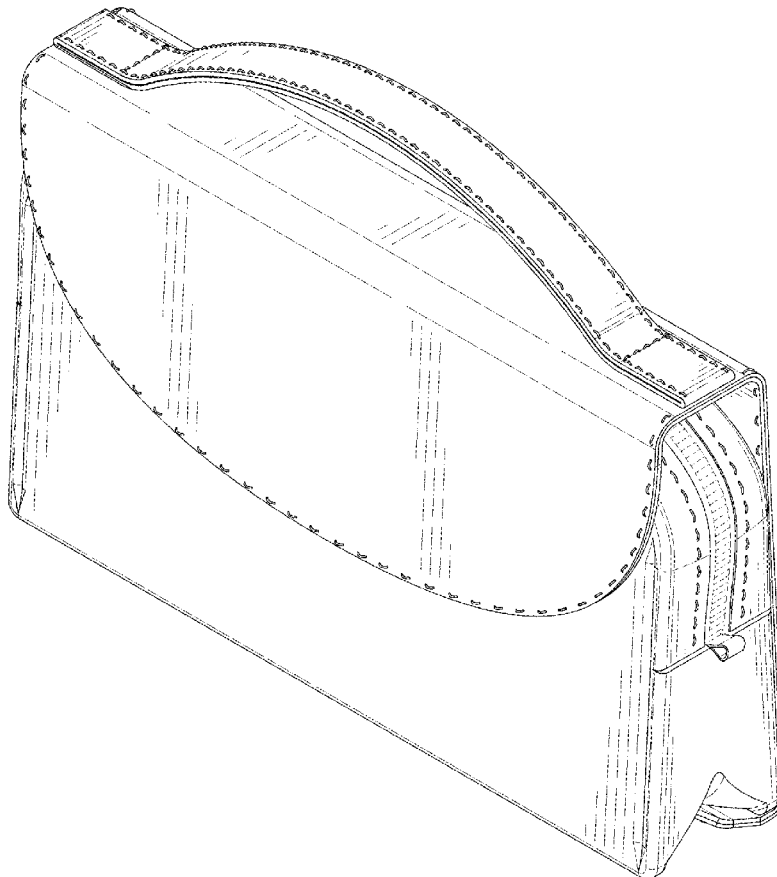
(57) **CLAIM**

The ornamental design for a toiletry bag, as shown and described.

DESCRIPTION

FIG. 1 is a front, top perspective view of a toiletry bag shown in an unfolded configuration, showing my new design;
 FIG. 2 is a rear, bottom perspective view thereof;
 FIG. 3 is a front elevation view thereof;
 FIG. 4 is a rear elevation view thereof;
 FIG. 5 is a left side elevation view thereof;
 FIG. 6 is a right side elevation view thereof;
 FIG. 7 is a top plan view thereof;
 FIG. 8 is a bottom plan view thereof;
 FIG. 9 is another front, top perspective view of the toiletry bag, shown in a folded configuration; and,
 FIG. 10 is a rear, bottom perspective view thereof.
 The broken lines in the figures illustrate portions of the toiletry bag that form no part of the claimed design.

1 Claim, 10 Drawing Sheets



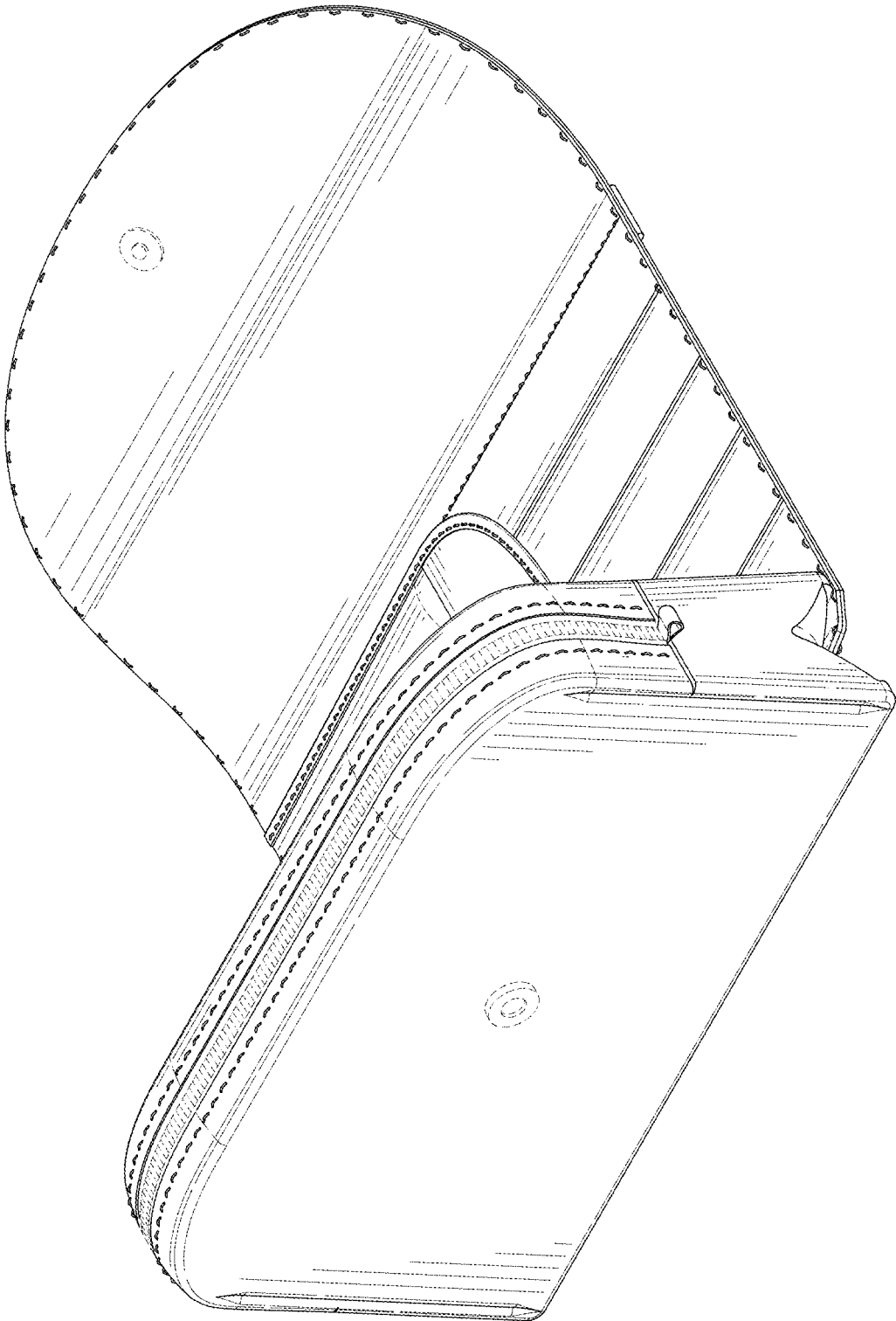


FIG. 1

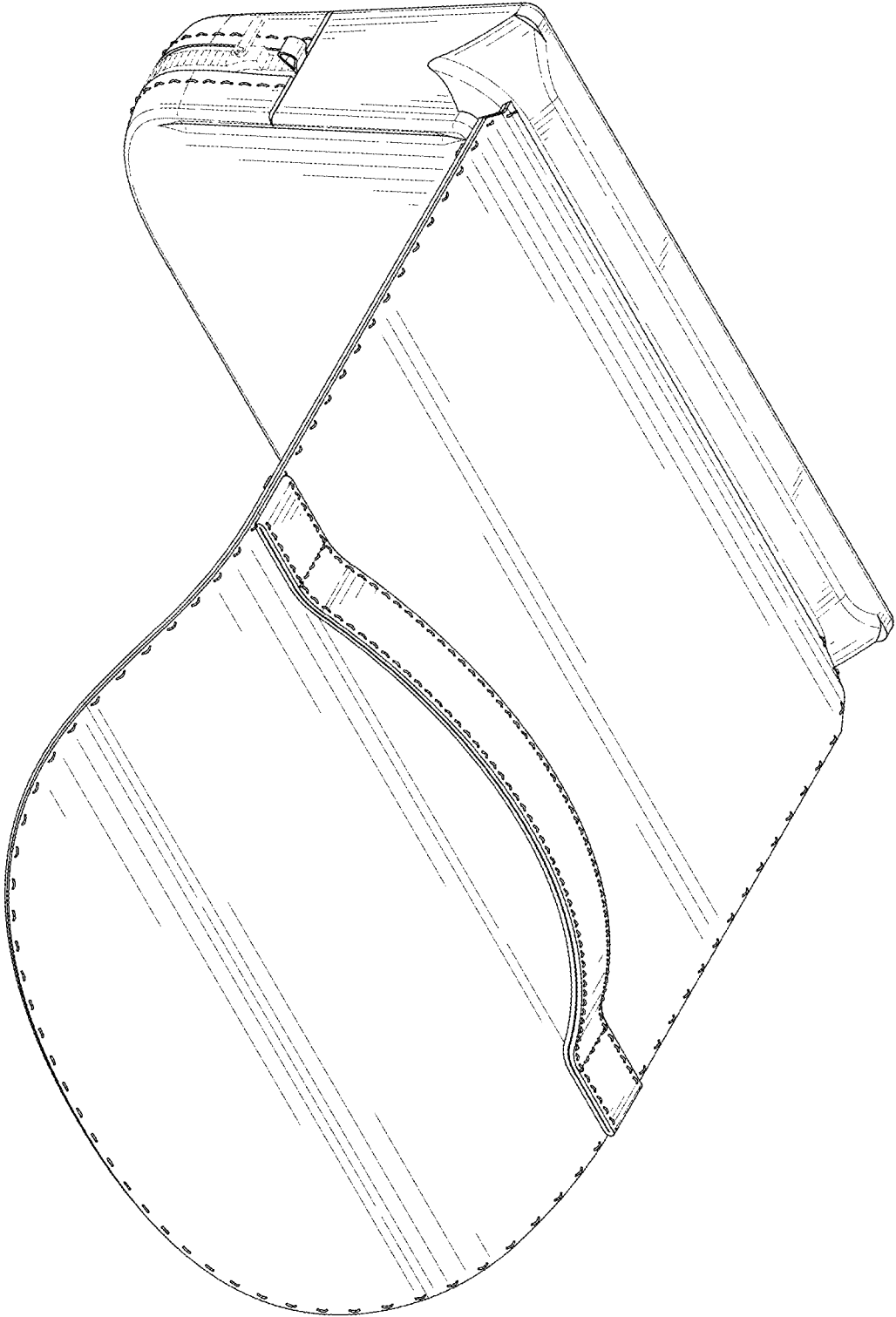


FIG. 2

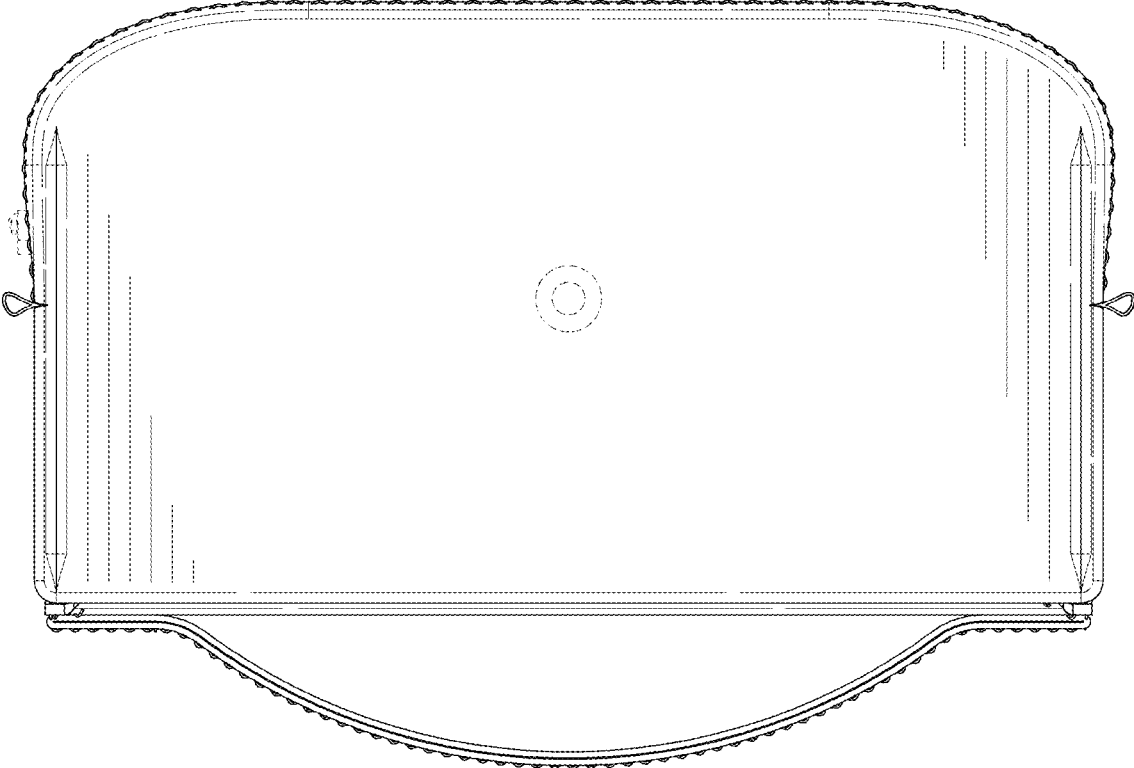


FIG. 3

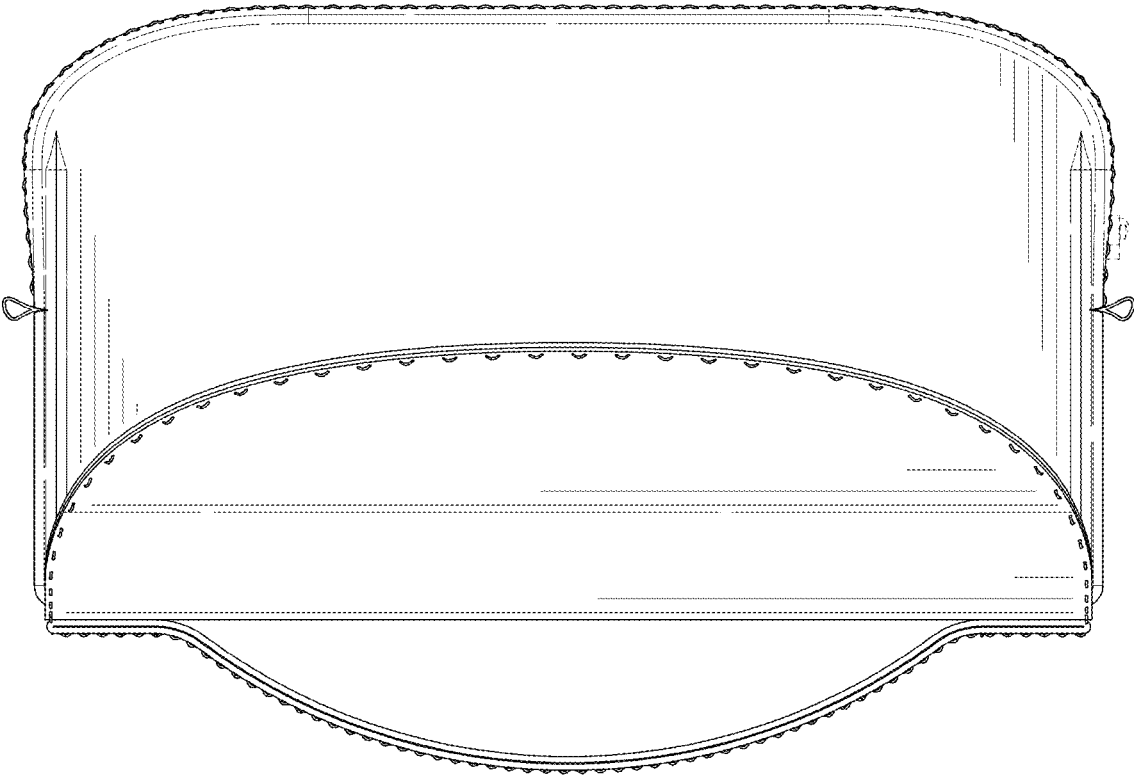


FIG. 4

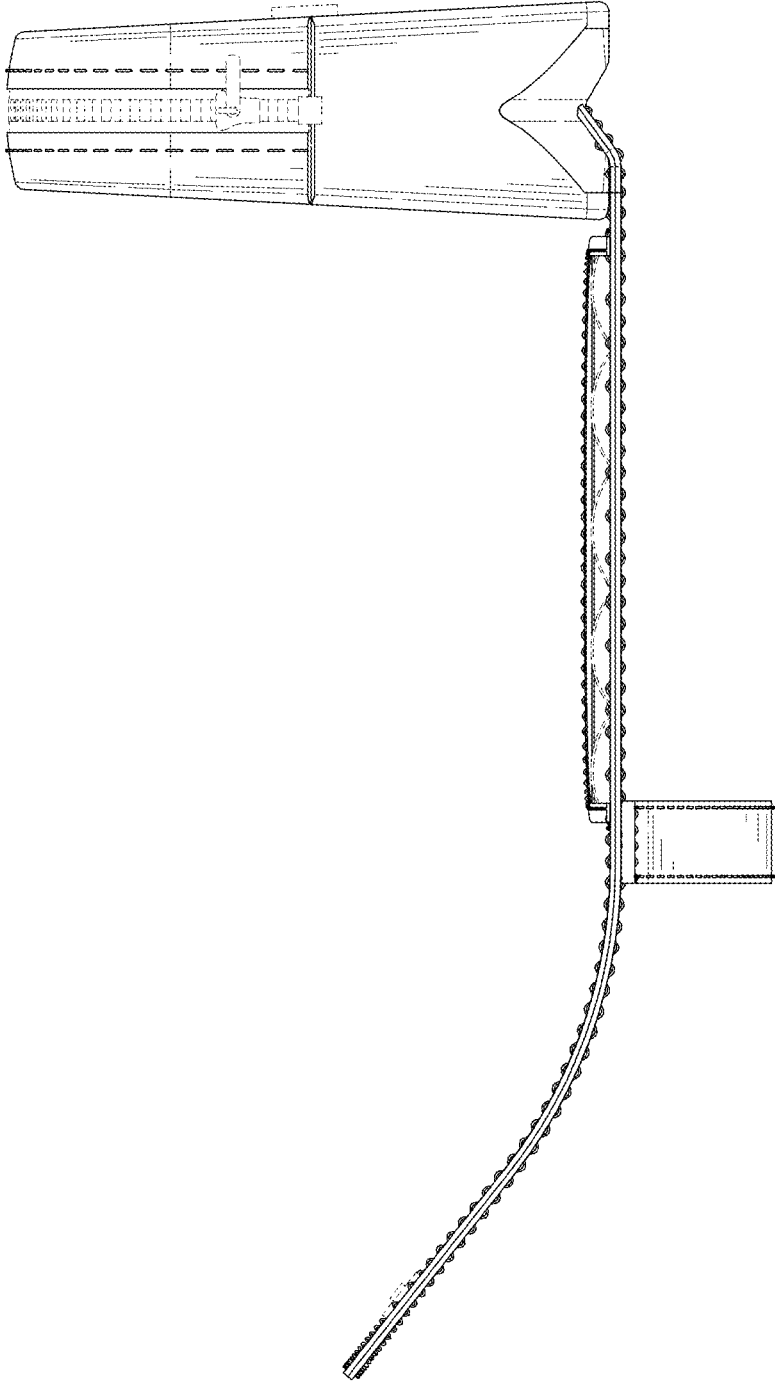


FIG. 5

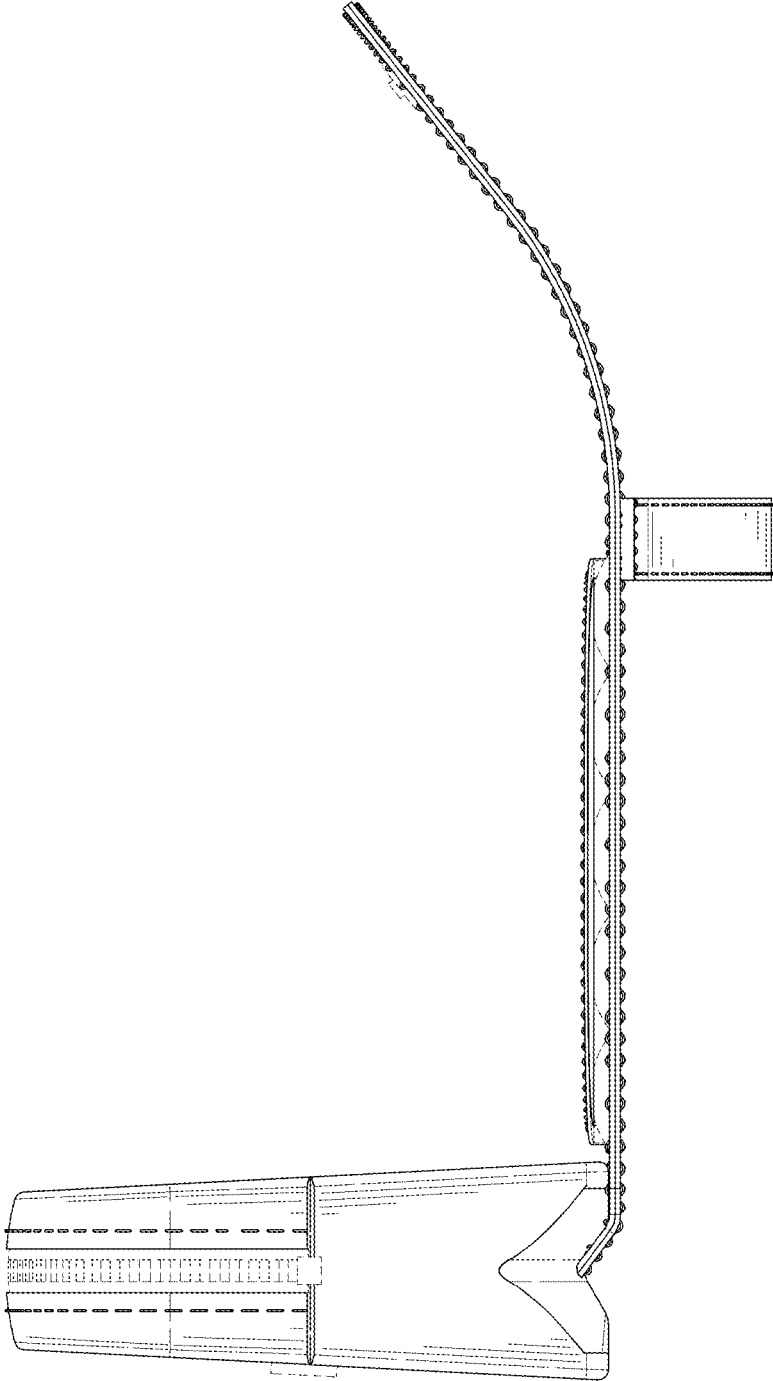


FIG. 6

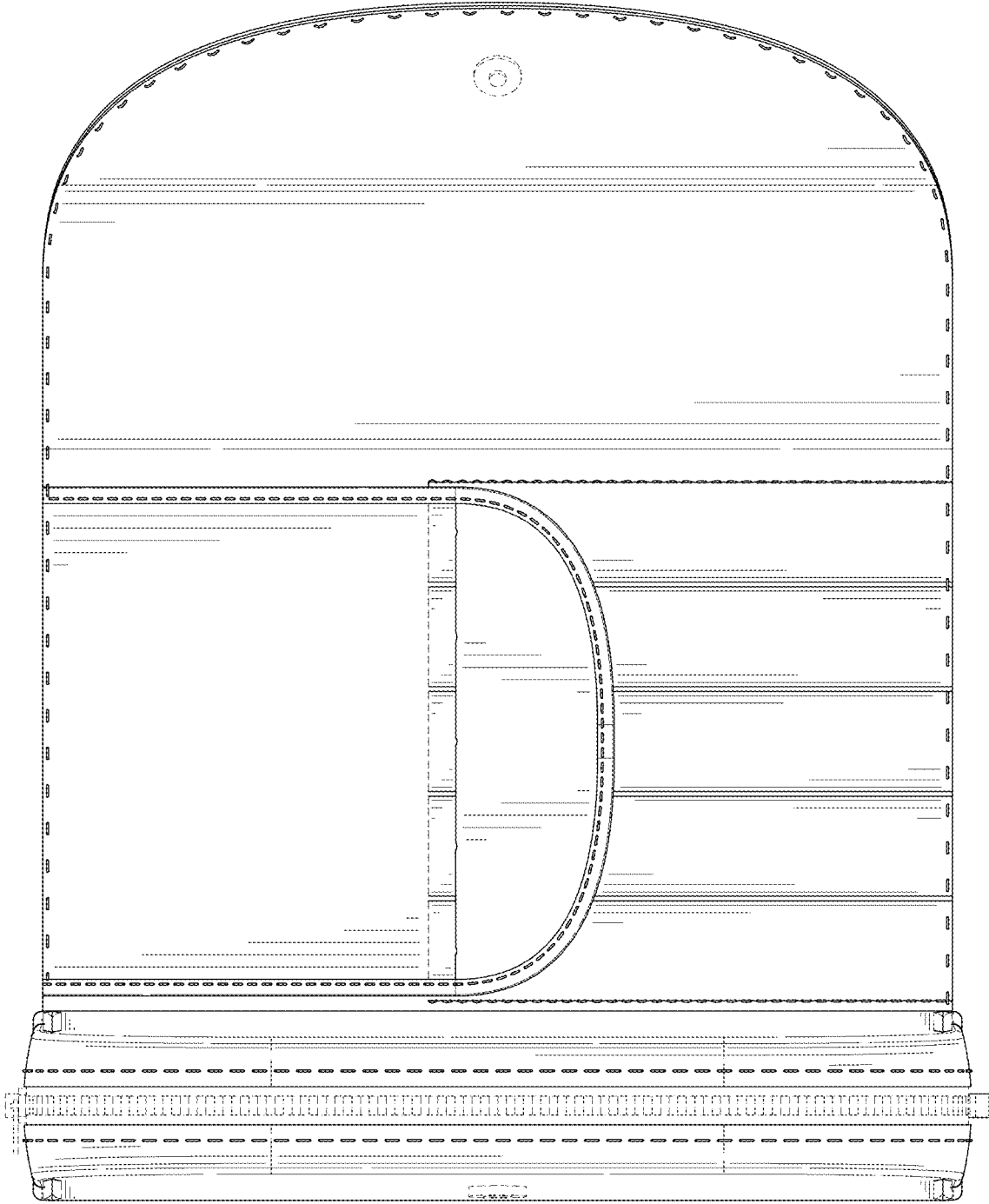


FIG. 7

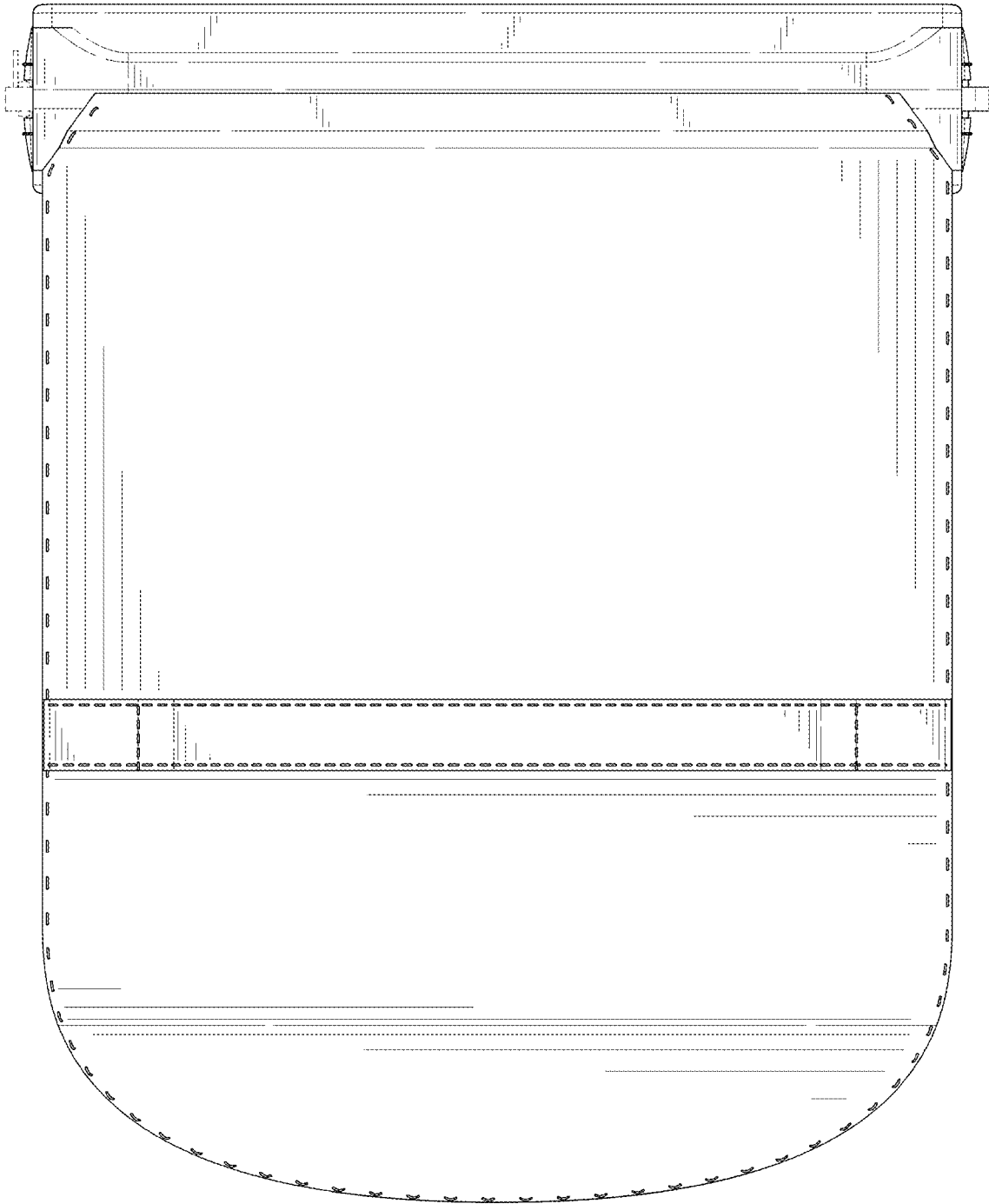


FIG. 8

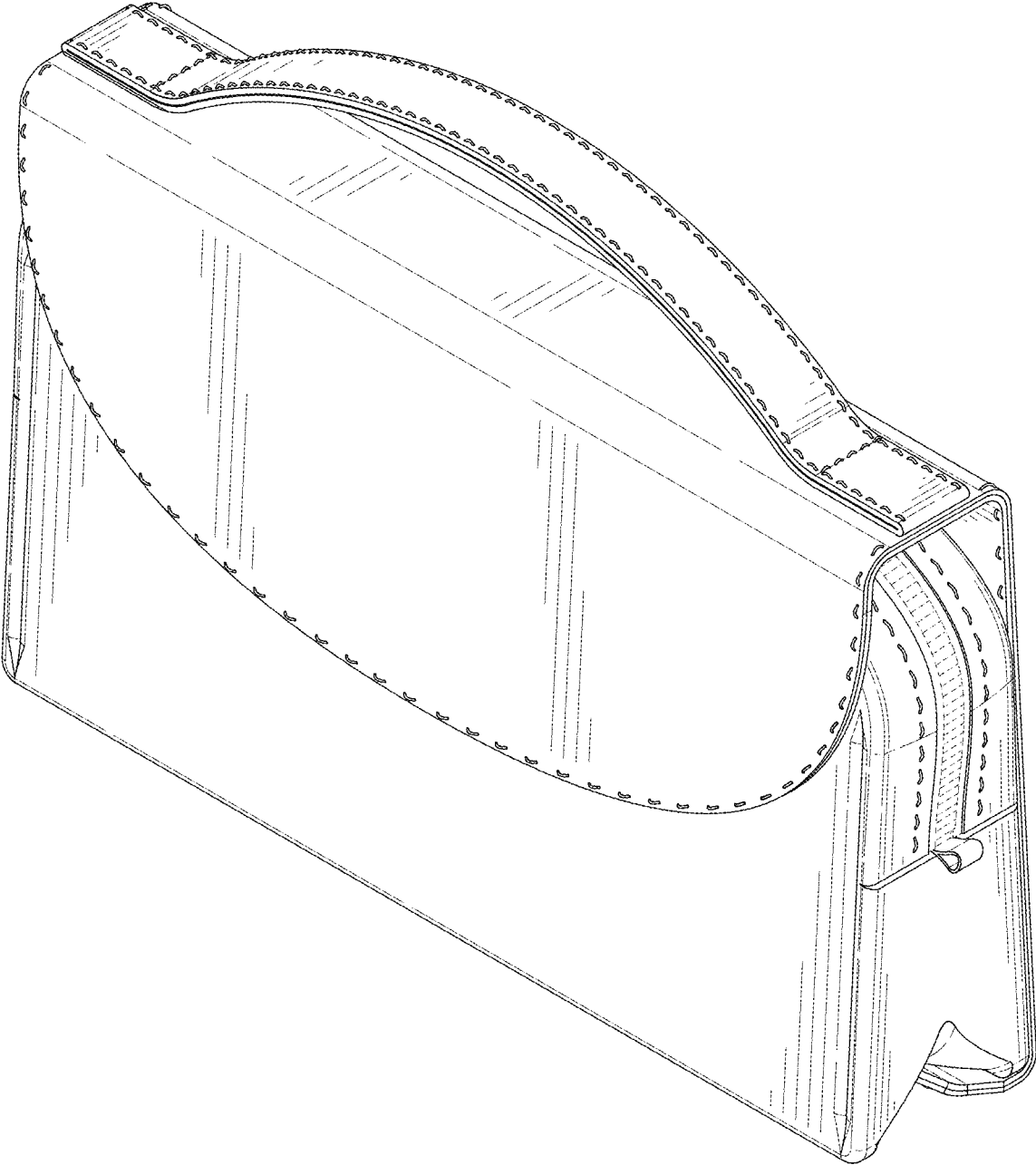


FIG. 9

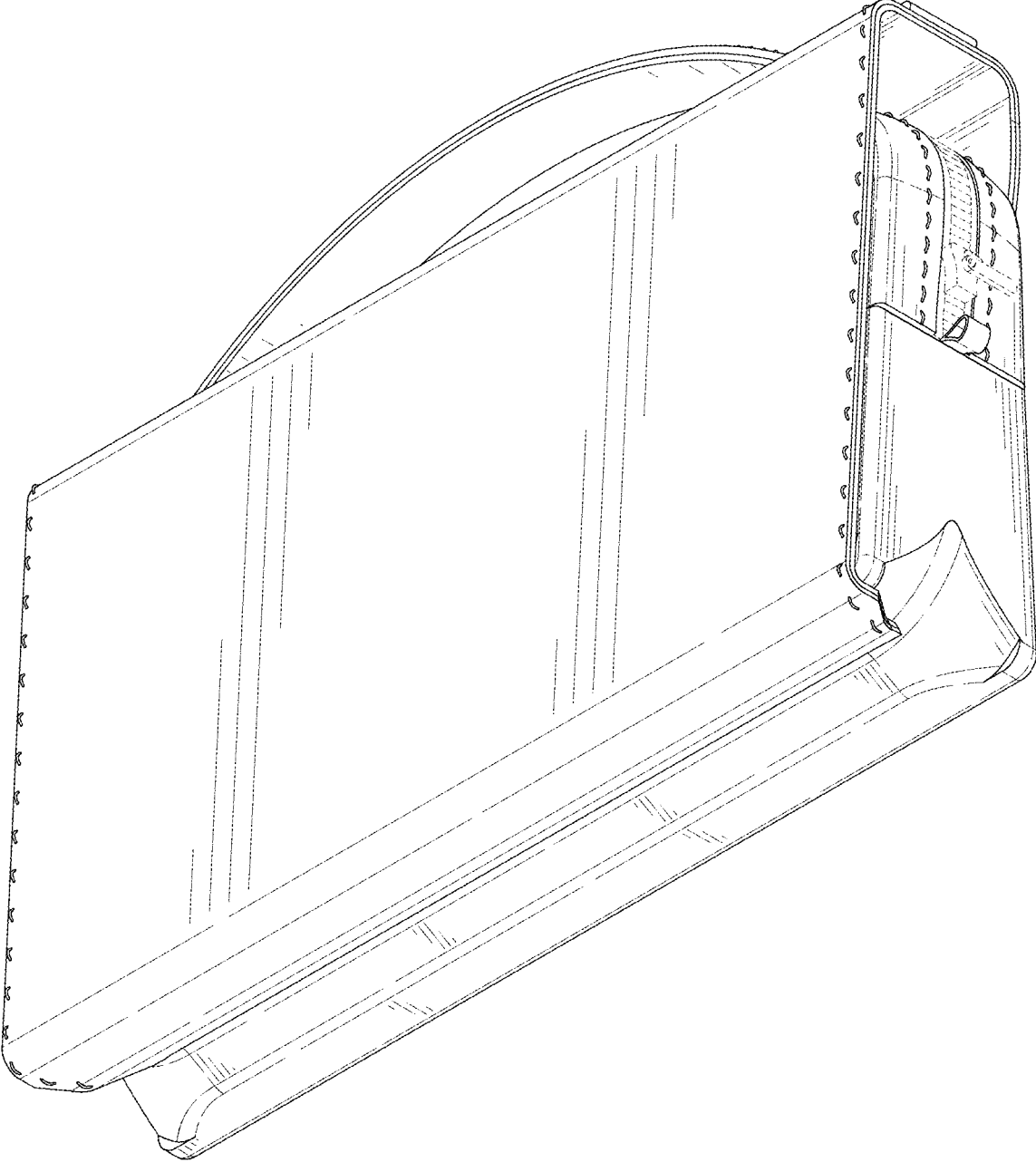


FIG. 10