



US00D611165S

(12) **United States Design Patent**
Hammer

(10) **Patent No.:** **US D611,165 S**

(45) **Date of Patent:** **** Mar. 2, 2010**

(54) **RETAINING BLOCK**

6,490,837 B1 12/2002 Dueck et al.
D468,450 S * 1/2003 Hammer D25/118

(75) Inventor: **James Hammer**, University Place, WA
(US)

(Continued)

(73) Assignee: **Westblock Systems, Inc.**, Salem, OR
(US)

OTHER PUBLICATIONS

U.S. Appl. No. 29/338,914, Jun. 19, 2009, James E. Hammer.

(**) Term: **14 Years**

(Continued)

(21) Appl. No.: **29/338,913**

Primary Examiner—T. Chase Nelson

Assistant Examiner—Anhdao Doan

(22) Filed: **Jun. 19, 2009**

(74) *Attorney, Agent, or Firm*—Klarquist Sparkman, LLP

(51) **LOC (9) Cl.** **25-01**

(57) **CLAIM**

(52) **U.S. Cl.** **D25/113**

I claim the ornamental design for a retaining block, as shown and described.

(58) **Field of Classification Search** D25/102,
D25/112–118, 119, 164; D21/484–491,
D21/499–502; 405/16, 17, 33, 35, 284, 286;
52/503–505, 574, 575, 596–605, 609–612;
404/29–31

See application file for complete search history.

DESCRIPTION

(56) **References Cited**

FIG. 1 is a perspective view of a retaining block, as viewed from the front, top, and one side of the block.

FIG. 2 is a perspective view of the retaining block of FIG. 1, as viewed from the rear, top, and one side of the block.

FIG. 3 is a bottom plan view of the retaining block of FIG. 1.

FIG. 4 is a top plan view of the retaining block of FIG. 1.

FIG. 5 is a side view of the retaining block of FIG. 1, the opposite side being a mirror image thereof.

FIG. 6 is rear view of the retaining block of FIG. 1; and,

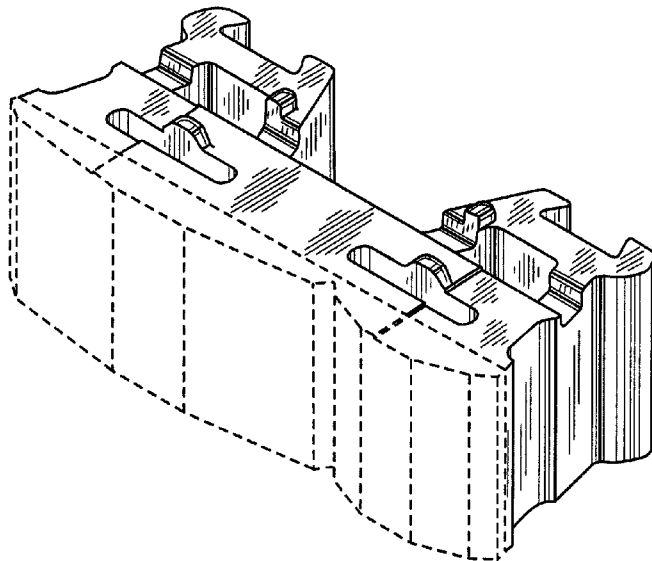
FIG. 7 is a front view of the retaining block of FIG. 1.

The broken lines in the drawings that are immediately adjacent to the shaded areas represent an unclaimed boundary of the claimed design. The broken lines showing the remainder of the retaining block are for illustrative purposes only and form no part of the claimed design.

U.S. PATENT DOCUMENTS

1,631,901 A	6/1927	Threadgill	
D210,876 S *	4/1968	Kocher et al.	D25/113
4,107,894 A	8/1978	Mullins	
4,186,540 A	2/1980	Mullins	
4,372,091 A	2/1983	Brown et al.	
4,516,364 A	5/1985	Heider	
4,896,472 A	1/1990	Hunt	
5,421,135 A	6/1995	Stevens et al.	
5,505,034 A	4/1996	Dueck	
5,688,078 A *	11/1997	Hammer	405/286
5,711,129 A *	1/1998	Woolford	52/604
D405,543 S *	2/1999	Shillingburg	D25/114
5,941,042 A	8/1999	Dueck	
6,062,772 A *	5/2000	Perkins	405/284
6,082,933 A *	7/2000	Maguire et al.	405/286

1 Claim, 3 Drawing Sheets



US D611,165 S

Page 2

U.S. PATENT DOCUMENTS

D501,935 S * 2/2005 Dawson et al. D25/118
D527,113 S * 8/2006 Rainey D25/118
D548,367 S * 8/2007 Price D25/113
7,351,015 B2 * 4/2008 Price et al. 405/286
7,503,730 B2 * 3/2009 Price 405/286
2005/0016106 A1 1/2005 Dawson et al.

OTHER PUBLICATIONS

U.S. Appl. No. 29/338,915, Jun. 19, 2009, James E. Hammer.
U.S. Appl. No. 29/338,916, Jun. 19, 2009, James E. Hammer.
U.S. Appl. No. 29/338,917, Jun. 19, 2009, James E. Hammer.
U.S. Appl. No. 29/338,918, Jun. 19, 2009, James E. Hammer.
U.S. Appl. No. 29/338,919, Jun. 19, 2009, James E. Hammer.

* cited by examiner

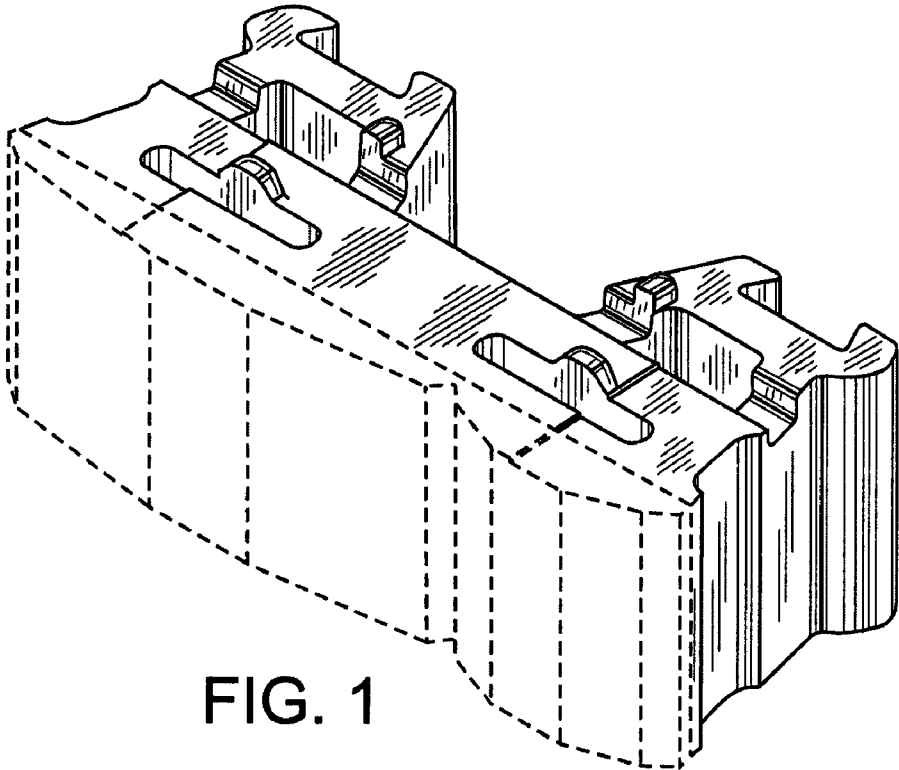


FIG. 1

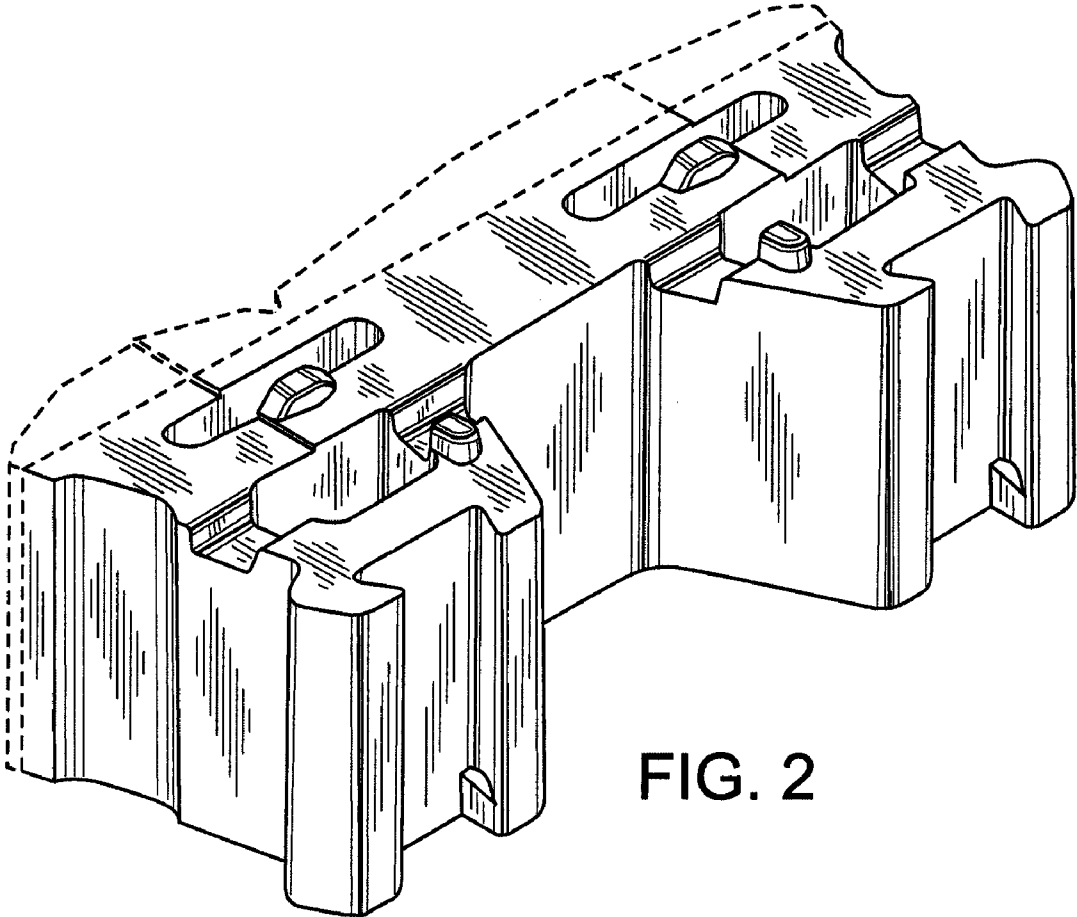


FIG. 2

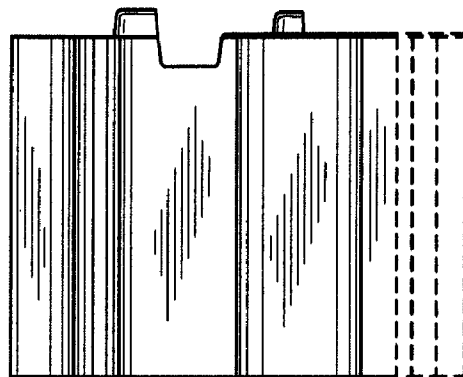
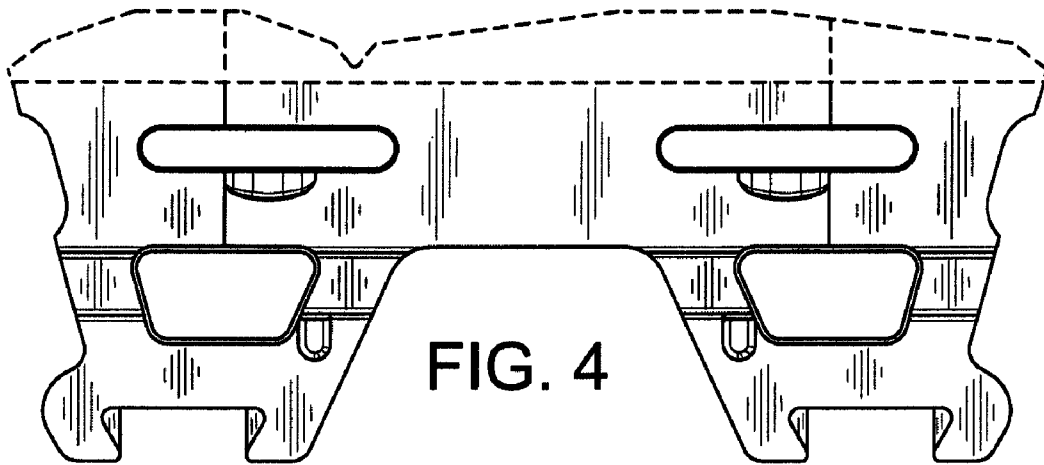
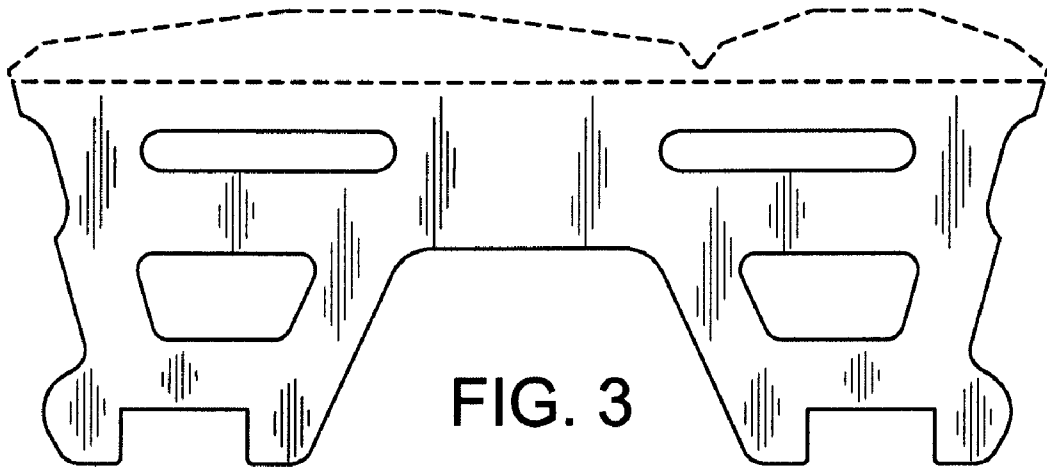


FIG. 5

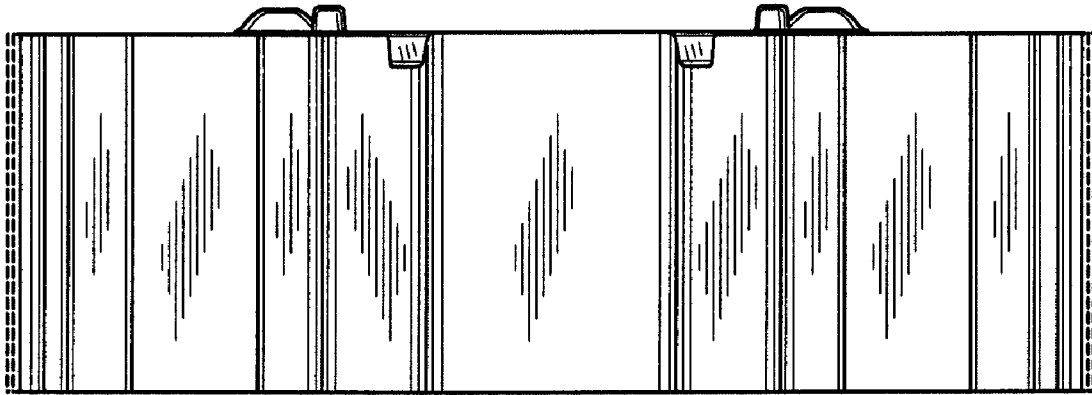


FIG. 6

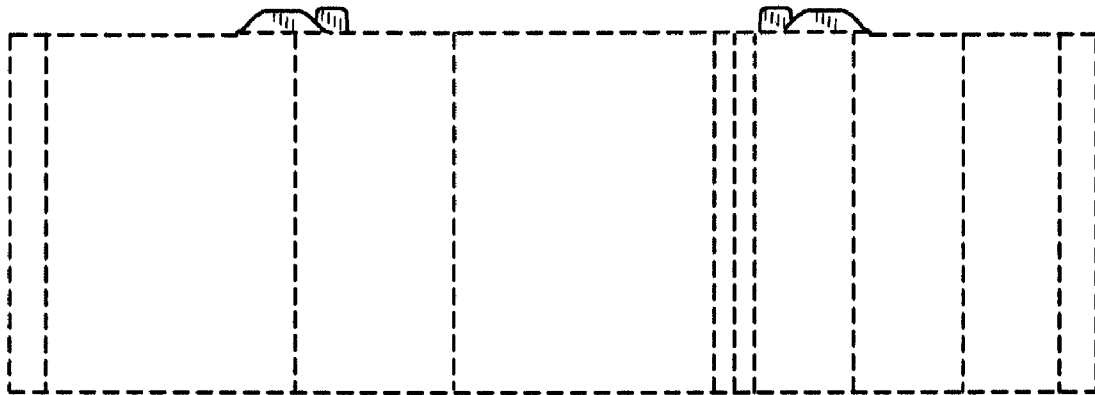


FIG. 7