



US00D948495S

(12) **United States Design Patent**  
**MacNeil et al.**

(10) **Patent No.:** **US D948,495 S**

(45) **Date of Patent:** **\*\* Apr. 12, 2022**

(54) **CELL PHONE STAND**

1/0281; H04M 1/0202; H04B 1/3877;  
H04B 1/3888; H04B 1/385; H01F  
7/0252; H05K 5/0204; H04R 1/1033

(71) Applicant: **MACNEIL IP LLC**, Bolingbrook, IL  
(US)

See application file for complete search history.

(72) Inventors: **David F. MacNeil**, Fort Lauderdale, FL  
(US); **David S. Iverson**, Oak Brook, IL  
(US)

(56) **References Cited**

U.S. PATENT DOCUMENTS

(73) Assignee: **MACNEIL IP LLC**, Bolingbrook, IL  
(US)

5,174,534 A 12/1992 Mitchell  
5,285,938 A 2/1994 Fauchald  
5,285,953 A 2/1994 Smith

(Continued)

(\*\*) Term: **15 Years**

(21) Appl. No.: **29/711,821**

OTHER PUBLICATIONS

(22) Filed: **Nov. 3, 2019**

amazon.com, website, image of Belkin Car Cup Holder for Smart-  
phones, downloaded on Jan. 17, 2019.

(51) **LOC (13) Cl.** ..... **14-03**

(Continued)

(52) **U.S. Cl.**

USPC ..... **D14/253**

(58) **Field of Classification Search**

USPC ..... D14/217, 224, 224.1, 238.1, 250–253,  
D14/254, 299, 432–434, 439, 440, 447,  
D14/451, 452, 458, 483; D12/114, 223,  
D12/415–426, 426.1; D3/201, 207, 208,  
D3/212, 215, 218, 232, 247; D16/206,  
D16/208, 218, 219, 237, 242, 243, 245;  
D8/306, 307, 349, 352, 363, 401;  
D2/624, 625, 627, 632, 635, 999;  
D7/602, 619.1, 620, 701; D6/553, 512  
CPC ... A45C 11/00; A45F 5/00; A45F 5/10; A45F  
2200/0516; A45F 2200/0525; A45F  
2200/0533; A45F 2200/0508; A45F  
2005/008; A47G 23/0216; B60R 11/00;  
B60R 11/02; B60R 11/0241; B60R  
11/0252; B60R 2011/0005; B60R  
2011/0008; F16B 2/06; F16M 11/00;  
F16M 11/04; F16M 11/06; F16M  
11/2021; F16M 11/38; F16M 11/046;  
F16M 11/08; F16M 11/16; F16M 11/041;  
F16M 11/2014; F16M 13/00; G03B  
17/561; G03B 17/563; H04M 1/02;  
H04M 1/04; H04M 1/11; H04M 1/15;  
H04M 1/026; H04M 1/0266; H04M

*Primary Examiner* — Janice Hallmark

(74) *Attorney, Agent, or Firm* — Perkins IP Law Group  
LLC; Jefferson Perkins

(57) **CLAIM**

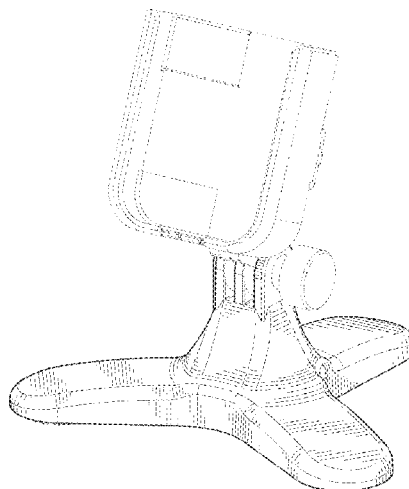
We claim the ornamental design for a cell phone stand, as  
shown and described.

**DESCRIPTION**

FIG. 1 is a top and front perspective view of a cell phone stand  
showing our design;  
FIG. 2 is a front elevation view thereof;  
FIG. 3 is a right side elevation view thereof;  
FIG. 4 is a left side elevation view thereof;  
FIG. 5 is a rear elevation view thereof; and,  
FIG. 6 is a top plan view thereof.

The broken lines depict portions of the cell phone stand in  
which the design is embodied that form no part of the  
claimed, design. Additionally, the bottom plan view of the  
cell phone stand is hereby disclaimed and forms no part of  
the claimed design.

**1 Claim, 6 Drawing Sheets**



(56)

References Cited

U.S. PATENT DOCUMENTS

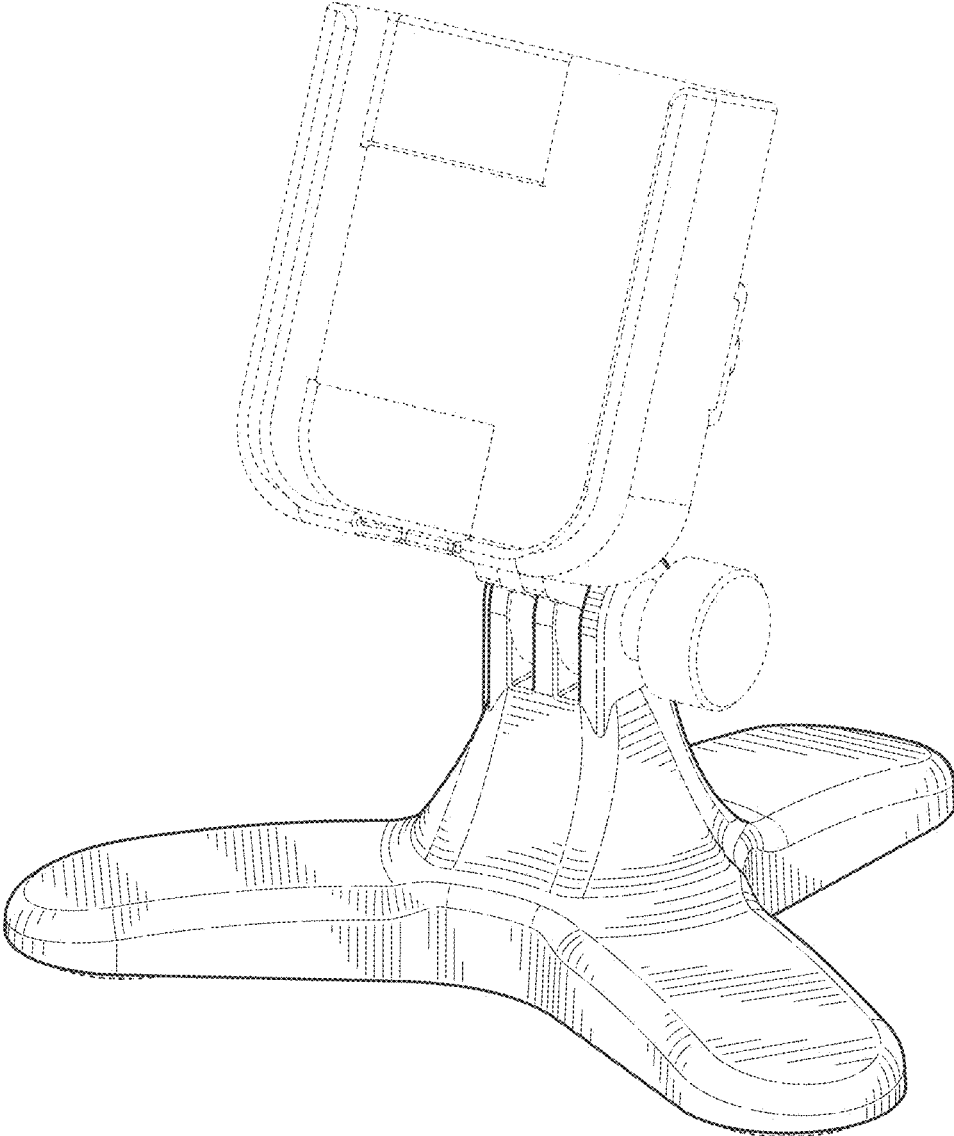
5,676,340 A 10/1997 Ruhnau  
 5,745,565 A 4/1998 Wakefield  
 D400,763 S 11/1998 Taylor et al.  
 5,897,041 A 4/1999 Ney et al.  
 6,019,325 A 2/2000 Dotson et al.  
 6,062,518 A 5/2000 Etue  
 D439,116 S 3/2001 White  
 6,253,982 B1 7/2001 Gerardi  
 6,267,340 B1 7/2001 Wang  
 6,315,153 B1 11/2001 Osborn  
 7,099,466 B2 8/2006 Walsh  
 7,140,586 B2 11/2006 Seil et al.  
 7,246,555 B2 7/2007 Small et al.  
 D591,499 S \* 5/2009 Ross, III ..... D3/218  
 7,708,247 B2 5/2010 Lota  
 D705,211 S \* 5/2014 Huang ..... D14/253  
 8,922,354 B2 12/2014 Nagara et al.  
 9,161,466 B2 10/2015 Huang  
 9,162,630 B2 10/2015 Pluta  
 9,254,793 B2 2/2016 Won  
 D765,648 S \* 9/2016 Starkenburg ..... D14/253  
 D772,218 S \* 11/2016 Alesi ..... D14/253  
 9,573,532 B2 2/2017 Riddiford et al.  
 9,698,851 B2 7/2017 Andrus  
 9,758,248 B2 9/2017 Procter et al.  
 9,821,723 B2 11/2017 Mannarino  
 9,900,417 B1 2/2018 Ruiz  
 D818,421 S \* 5/2018 Hu ..... D12/415  
 D833,369 S \* 11/2018 Lan ..... D12/415  
 10,155,482 B2 12/2018 Corso  
 10,284,250 B2 5/2019 Andrus  
 10,315,585 B2 6/2019 Minn et al.  
 D877,043 S \* 3/2020 MacNeil ..... D12/415  
 D879,090 S \* 3/2020 Chung ..... D14/253  
 D898,017 S \* 10/2020 Zhang ..... D14/253  
 D902,217 S \* 11/2020 Zhang ..... D14/447  
 2002/0049081 A1 4/2002 Heininger  
 2002/0094078 A1 7/2002 Edwards

2013/0240587 A1 \* 9/2013 Buchhalter ..... F16M 13/00  
 224/570  
 2020/0130604 A1 \* 4/2020 MacNeil ..... H04M 1/04  
 2020/0130605 A1 \* 4/2020 MacNeil ..... B60R 11/0241

OTHER PUBLICATIONS

amazon.com, website, image of Custom Accessories 23384 Heavy Cup Mount Magnetic Phone Holder, downloaded on Jan. 17, 2019.  
 amazon.com, website, image of Macally Adjustable Automobile Cup Holder Phone Mount, downloaded on Jan. 17, 2019.  
 amazon.com, website, image of Mediabridge Smartphone Cradle w/Extended Cup Holder Mount, downloaded on Jan. 17, 2019.  
 amazon.com, website, image of NNDA CO Universal Adjustable Gooseneck Cup Holder Cradle Car Mount For Phone, downloaded on Jan. 17, 2019.  
 amazon.com, website, image of Sunjoyco Car Cup Holder Mount for Phone Tablet, 2-in-1 Car Cradles Adjustable Gooseneck Holder, downloaded on Jan. 17, 2019.  
 amazon.com, website, image of Tackform Solutions Car Phone Holder Magnetic Mount, downloaded on Jan. 17, 2019.  
 amazon.com, website, image of TNP Cup Holder Phone Mount, Universal Car Cup Smartphone Cradle Clamp w/ Flexible Neck, downloaded on Jan. 17, 2019.  
 amazon.com, website, image of USA Gear Cup Holder Suction Mount Surface Adapter, downloaded on Jan. 17, 2019.  
 crutchfield.com, website, image of Bracketron BT 16572 PhabGrip cup holder mount, downloaded on Jan. 17, 2019.  
 HDAccessory.com, website, image of Universal Smartphone Cup Holder Mount, downloaded on Jan. 17, 2019.  
 stacksocial.com, website, image of U-Grip Cup Holder Car Mount for Phones and Tablets, downloaded on Jan. 17, 2019.  
 walmart.com, website, image of Universal Adjustable Gooseneck Cup Holder Cradle Car Mount for Cell Phone, downloaded on Jan. 17, 2019.  
 rakuten.com, website, image of Smartphone 8" Long Car Cup Holder, IKross Phone Mount, downloaded on Jan. 17, 2019.

\* cited by examiner



**FIG. 1**

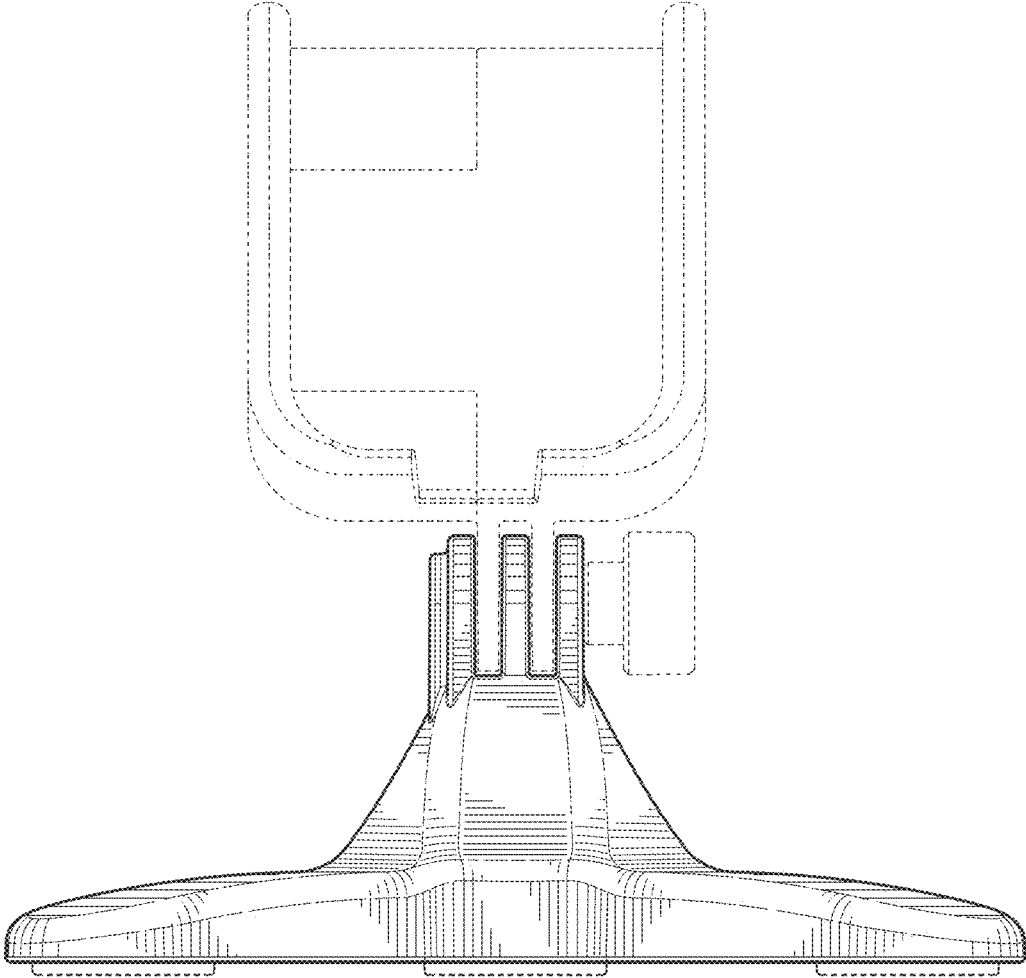


FIG. 2

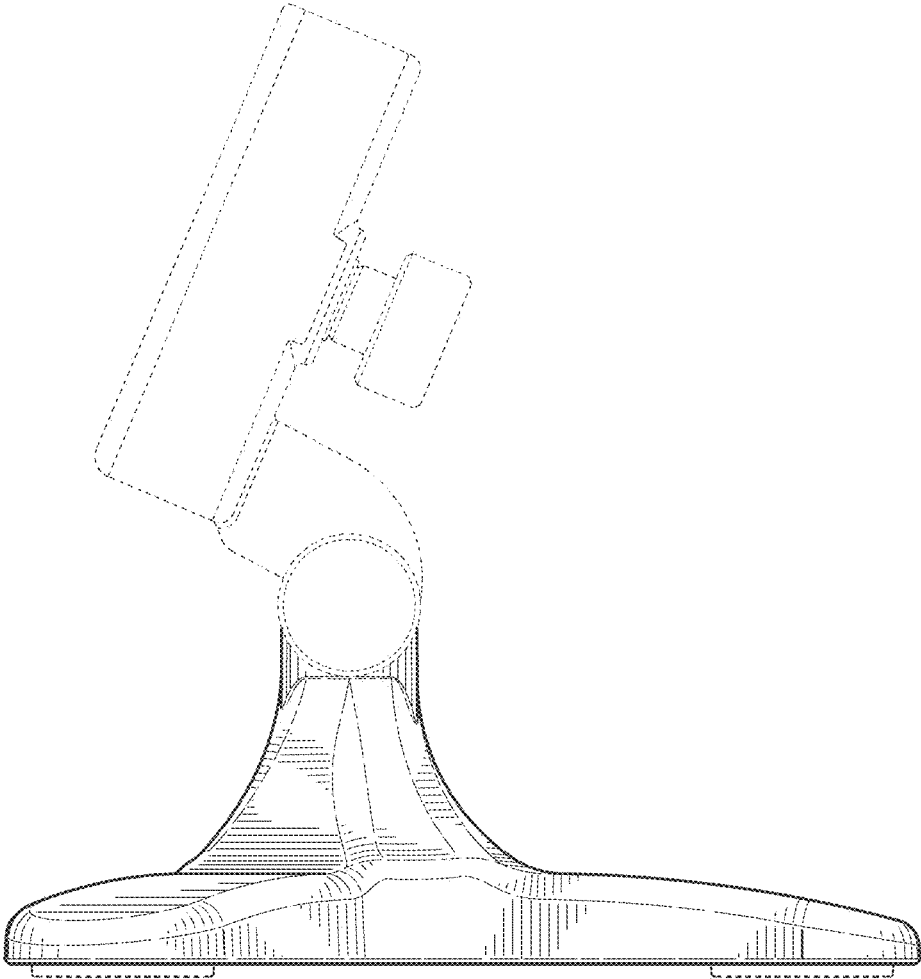


FIG. 3

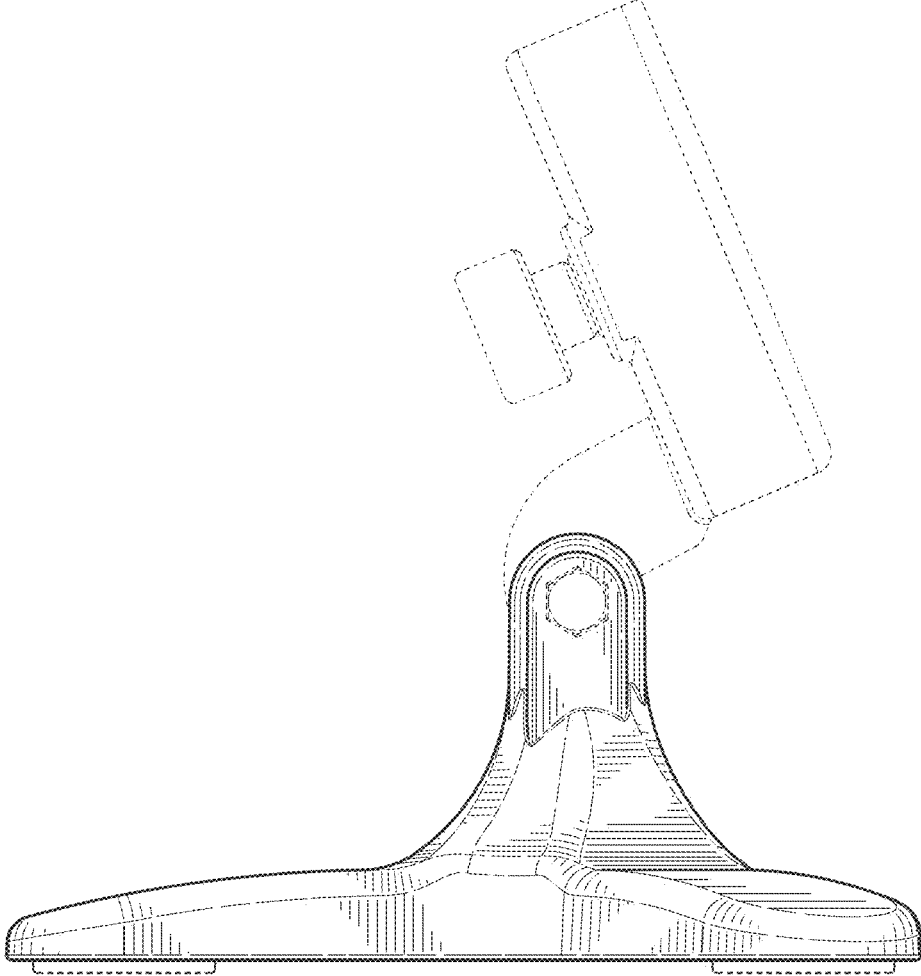


FIG. 4

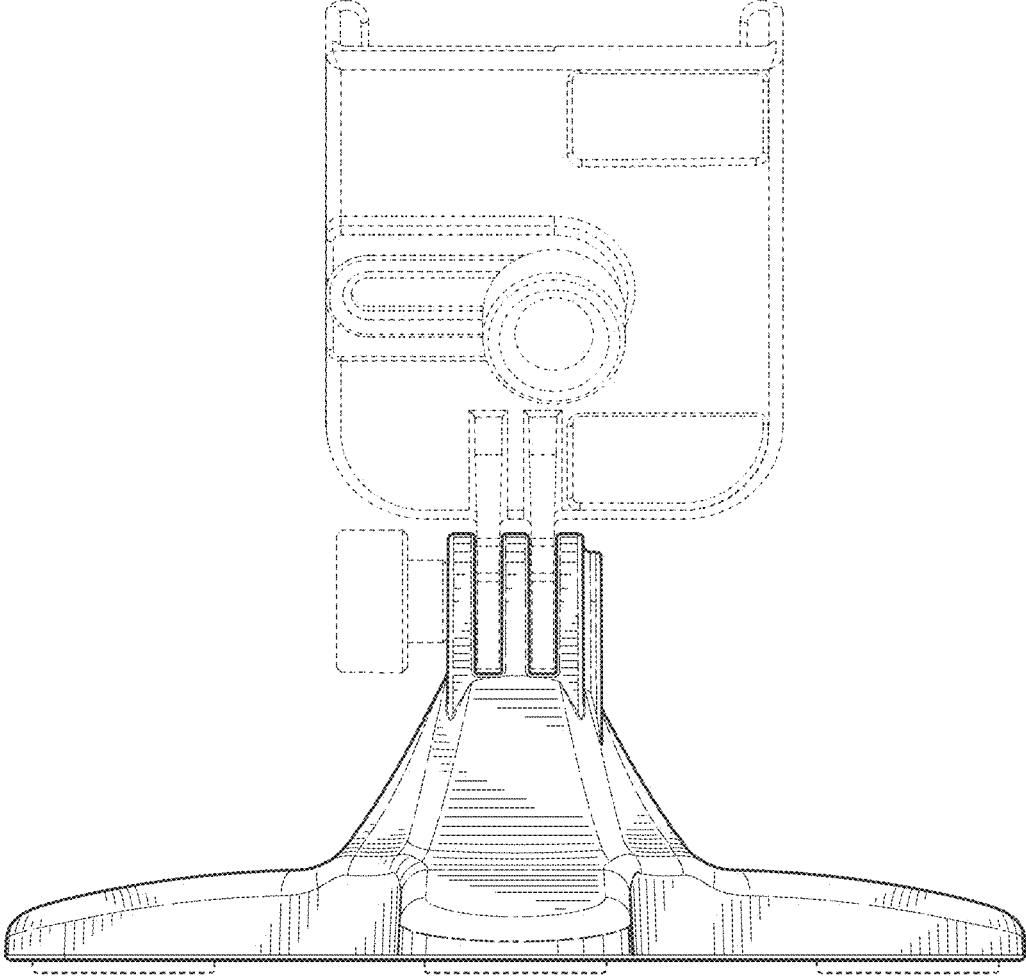


FIG. 5

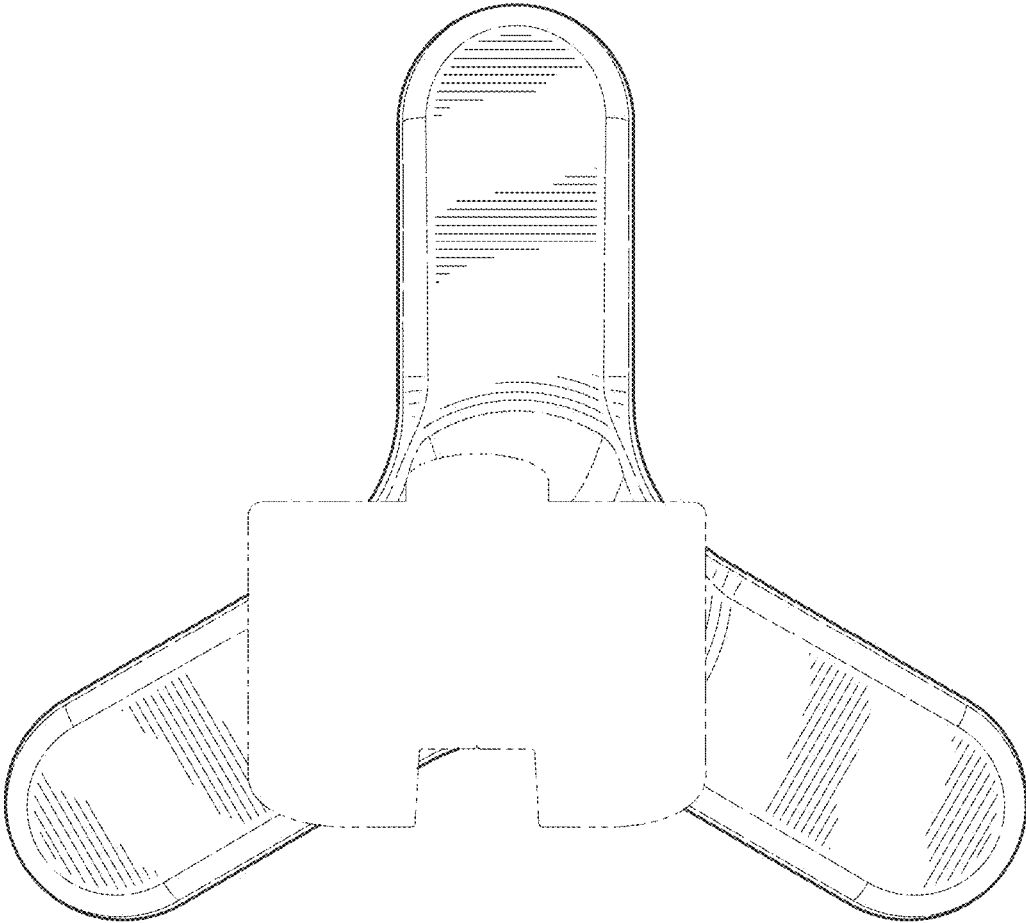


FIG. 6