



US0D1002983S

(12) **United States Design Patent**
Gonzalez

(10) **Patent No.:** **US D1,002,983 S**

(45) **Date of Patent:** **** Oct. 24, 2023**

(54) **MASK HOLDER**

(71) Applicant: **Hector Gonzalez**, Avondale, AZ (US)

(72) Inventor: **Hector Gonzalez**, Avondale, AZ (US)

(**) Term: **15 Years**

(21) Appl. No.: **29/784,442**

(22) Filed: **May 19, 2021**

(51) **LOC (14) Cl.** **07-05**

(52) **U.S. Cl.**
USPC **D32/52**

(58) **Field of Classification Search**
USPC D24/110.1, 110.2; D32/52
CPC A41D 13/1161; A42B 3/288; A62B 18/084
See application file for complete search history.

(56) **References Cited**

U.S. PATENT DOCUMENTS

211,479	A	1/1879	Shelby	
675,108	A	5/1901	Perkins	
2,264,351	A *	12/1941	Willson A61F 9/027 2/452
3,038,470	A *	6/1962	Campbell A41D 13/1161 128/206.16
4,555,815	A *	12/1985	Walther A42B 3/288 2/10
4,774,729	A *	10/1988	Coates A42B 3/20 2/424
4,924,258	A *	5/1990	Tsutsui G03F 7/70716 269/21
D343,307	S *	1/1994	Tennyson D29/111
5,291,880	A *	3/1994	Almovist A42B 3/288 2/5
5,414,903	A	5/1995	Porteous	
5,429,126	A *	7/1995	Bracken A62B 18/084 128/207.11
5,847,813	A *	12/1998	Hirayanagi G03F 7/70708 355/75
5,852,849	A	12/1998	Lansing	

7,044,131 B2 5/2006 Griesbach
7,320,156 B1 1/2008 Slayton
D611,678 S 3/2010 Bailey
(Continued)

FOREIGN PATENT DOCUMENTS

WO WO2007109961 10/2007

OTHER PUBLICATIONS

Mask strap, posted Jul. 15, 2020 [online], [retrieved Apr. 17, 2023]. Retrieved from internet, https://www.amazon.com/HX-AURIZE-Extra-Extenders-/Adjustable/dp/B08CZVSGWW/ref=sr_1_7?crid=2QERL2M6PWBRK&keywords=mask+clip&qid=1681733673&srprefix=mask+clip%2Caps%2C143&sr=8-7 (Year: 2020).*

(Continued)

Primary Examiner — Khawaja Anwar
Assistant Examiner — Taylor O Mortorff

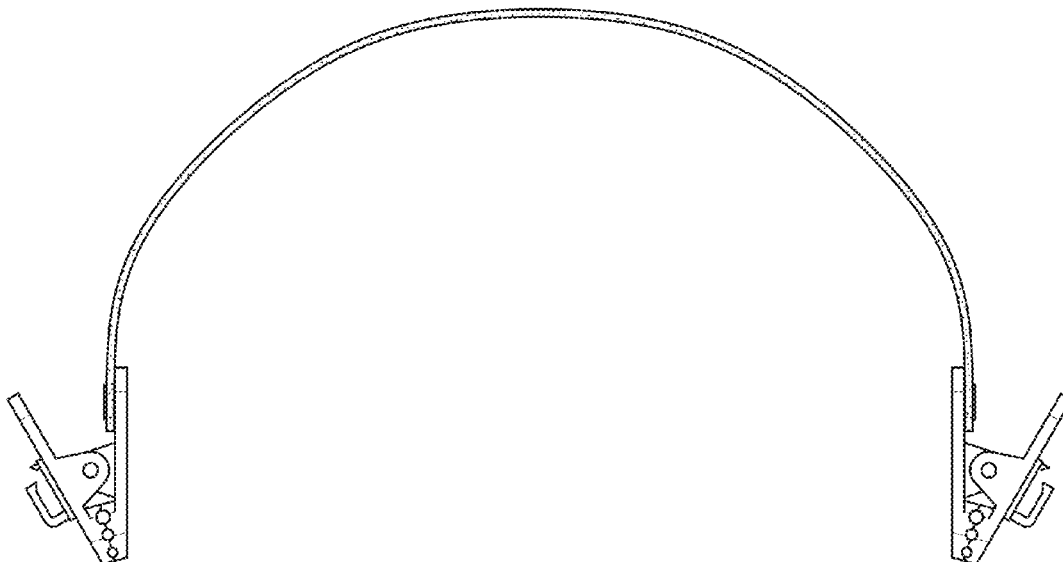
(57) **CLAIM**

The ornamental design for a mask holder, as shown and described.

DESCRIPTION

FIG. 1 is a front view of a mask holder showing my new design;
FIG. 2 is a rear view of the mask holder;
FIG. 3 is a right side view of the mask holder;
FIG. 4 is a left side view of the mask holder;
FIG. 5 is a top view of the mask holder;
FIG. 6 is a bottom view of the mask holder;
FIG. 7 is a bottom front side perspective view of the mask holder;
FIG. 8 is a top front side perspective view of the mask holder; and,
FIG. 9 is a side view of the mask holder in use.
The broken lines in FIG. 9 are illustrative of environmental structure forming no part of the claimed design.

1 Claim, 4 Drawing Sheets



(56)

References Cited

U.S. PATENT DOCUMENTS

7,836,887 B1 * 11/2010 Kling A62B 23/025
128/206.16
7,877,817 B1 * 2/2011 Ho A61M 16/0633
2/452
9,149,669 B2 * 10/2015 Cowell A62B 18/084
9,247,788 B2 * 2/2016 Brace A44B 11/2592
9,642,403 B2 * 5/2017 Welch A41D 13/1161
10,716,961 B2 * 7/2020 Moon A44B 11/006
D957,632 S * 7/2022 Kaufman D24/128
D959,655 S * 8/2022 Mark D24/128
D969,313 S * 11/2022 Battle D24/128
11,517,058 B2 * 12/2022 Moon A62B 9/04
2003/0156271 A1 * 8/2003 Byun H01L 21/682
355/75
2008/0115788 A1 * 5/2008 Eschen A62B 18/084
128/207.11
2021/0007444 A1 * 1/2021 Raynolds A62B 18/084
2021/0378328 A1 * 12/2021 Vieira A41D 13/1184

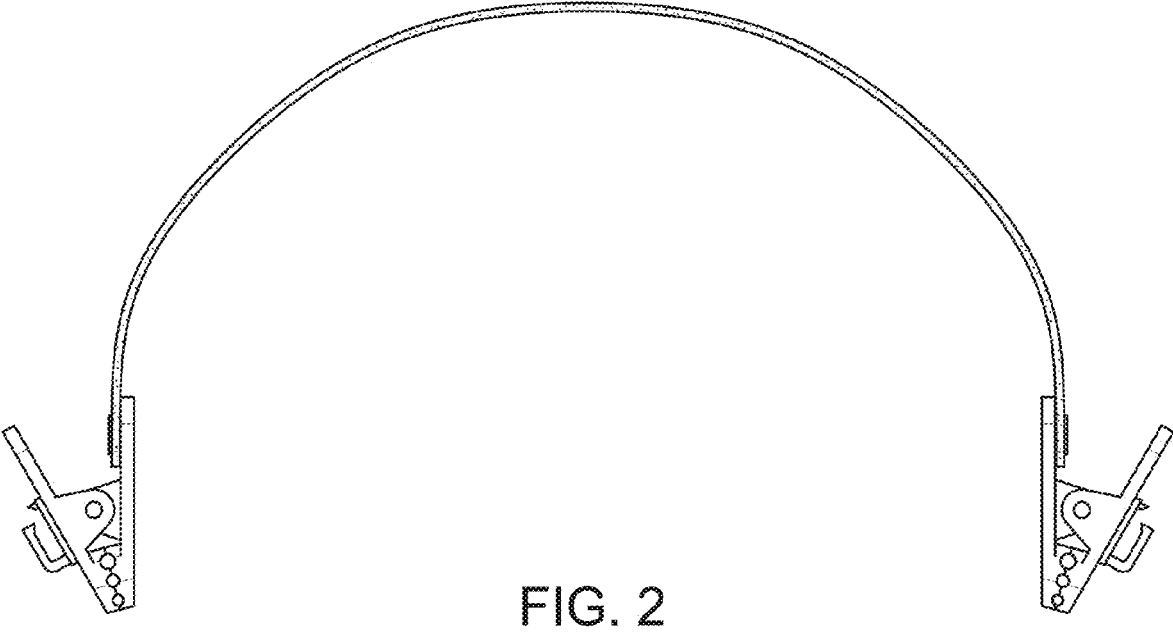
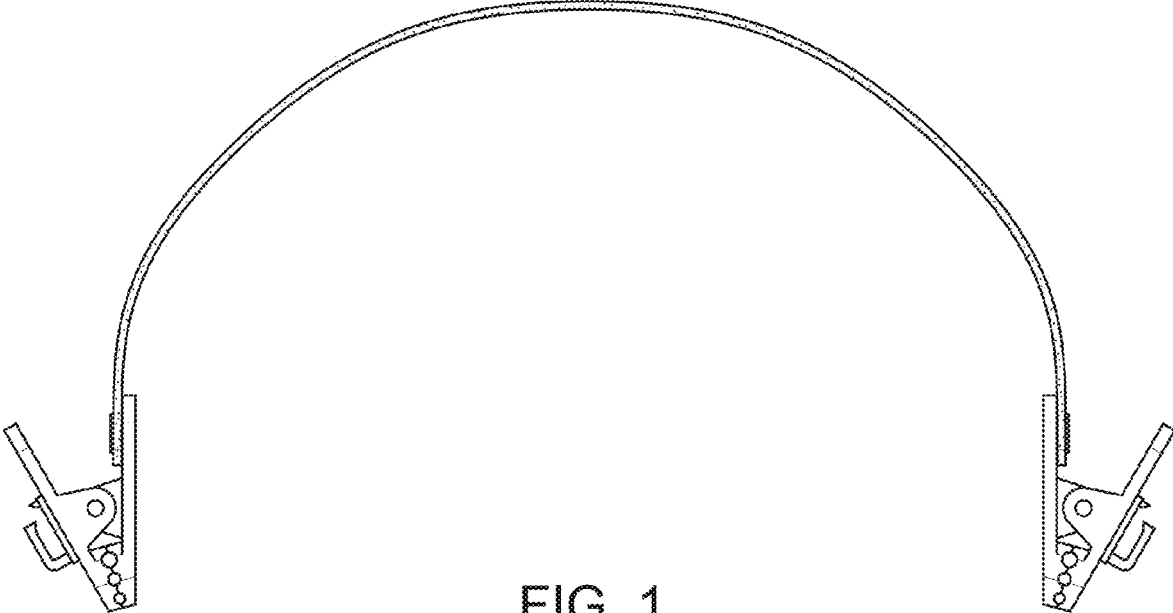
2022/0030969 A1 * 2/2022 Salzman A41D 13/1161
2022/0079267 A1 * 3/2022 Mason G02C 11/00
2022/0142281 A1 * 5/2022 Kuenzler A42B 1/24

OTHER PUBLICATIONS

Face mask holder, posted Jun. 27, 2020 [online], [retrieved Apr. 17, 2023]. Retrieved from internet, https://www.amazon.com/Magnetic-Breakaway-Decorative-Necklace-Stainless/dp/B08KRGPD34/ref=sr_1_80?crd=2QERL2M6PWBRK&keywords=mask%2Bclip&qid=1681733869&sprexif=mask%2Bclip%2Caps%2C143&sr=8-80&th=1 (Year: 2020).*

VFace mask lanyard, posted Jul. 13, 2018 [online], [retrieved Apr. 17, 2023]. Retrieved from internet, https://www.amazon.com/25-Pack-Lanyards-Credentials-Assorted/dp/B07FKX8555/ref=sr_1_146_sspa?crd=2LUQUCWU84PTE&keywords=mask%2Bstrap&qid=1681734061&sprexif=mask%2Bstrap%2Caps%2C109&sr=8-146-spons&smid=A259KVVW6H (Year: 2018).*

* cited by examiner



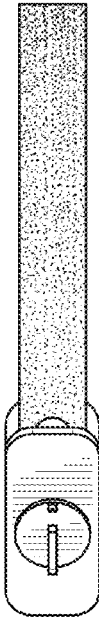


FIG. 3

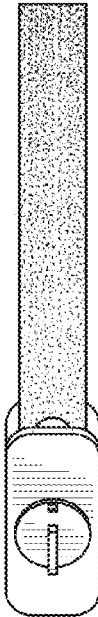


FIG. 4



FIG. 5

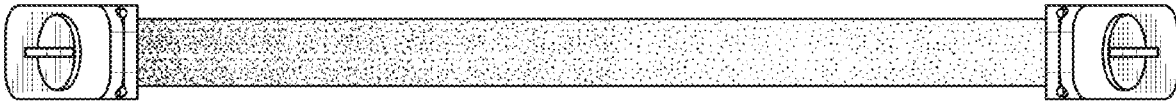


FIG. 6

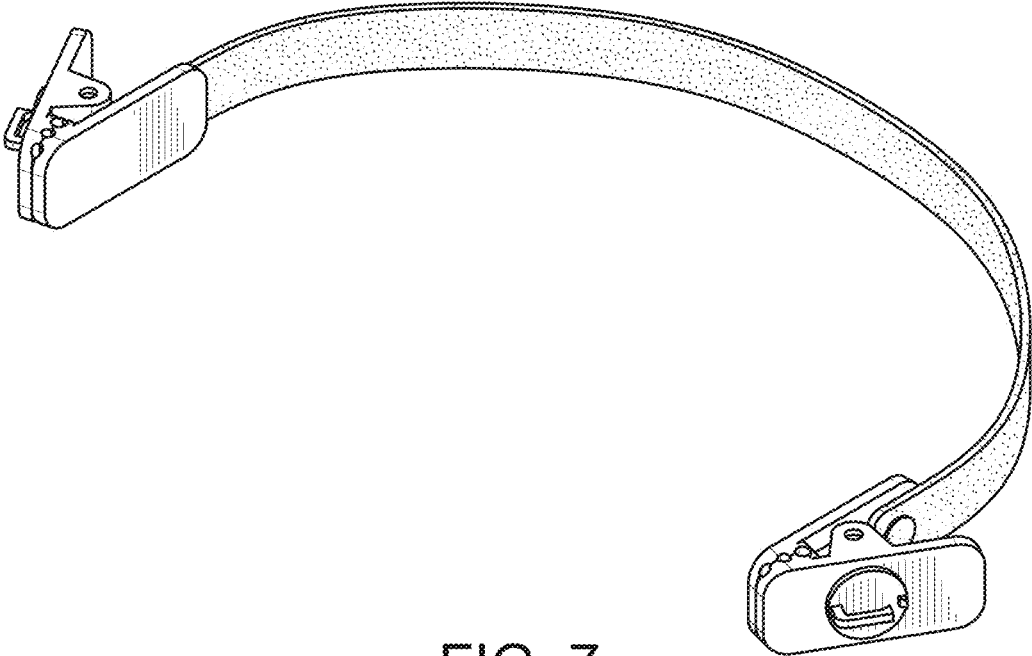


FIG. 7

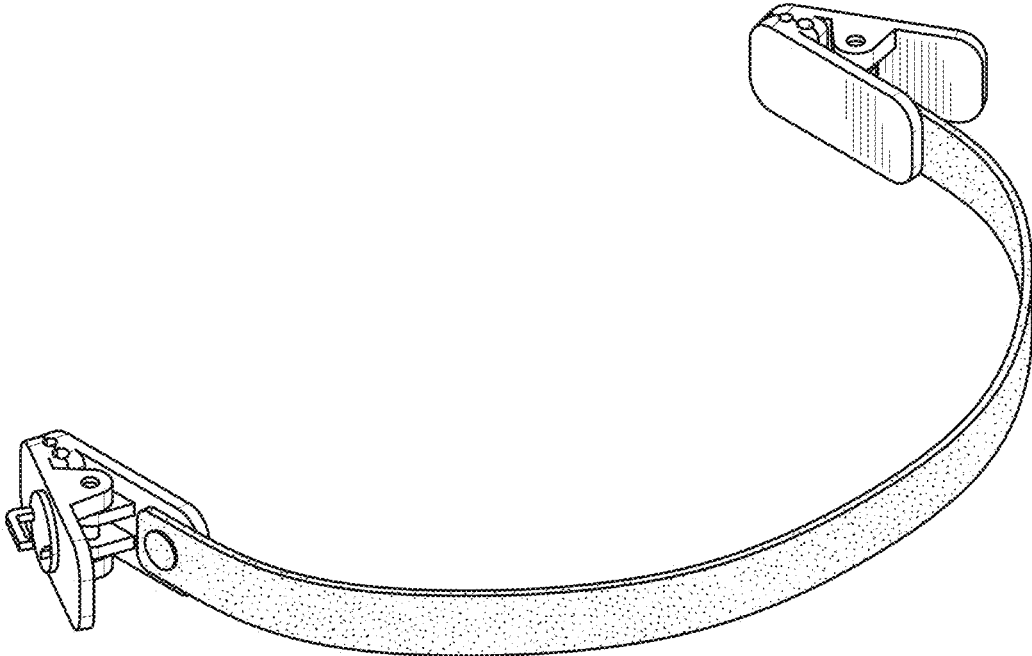


FIG. 8

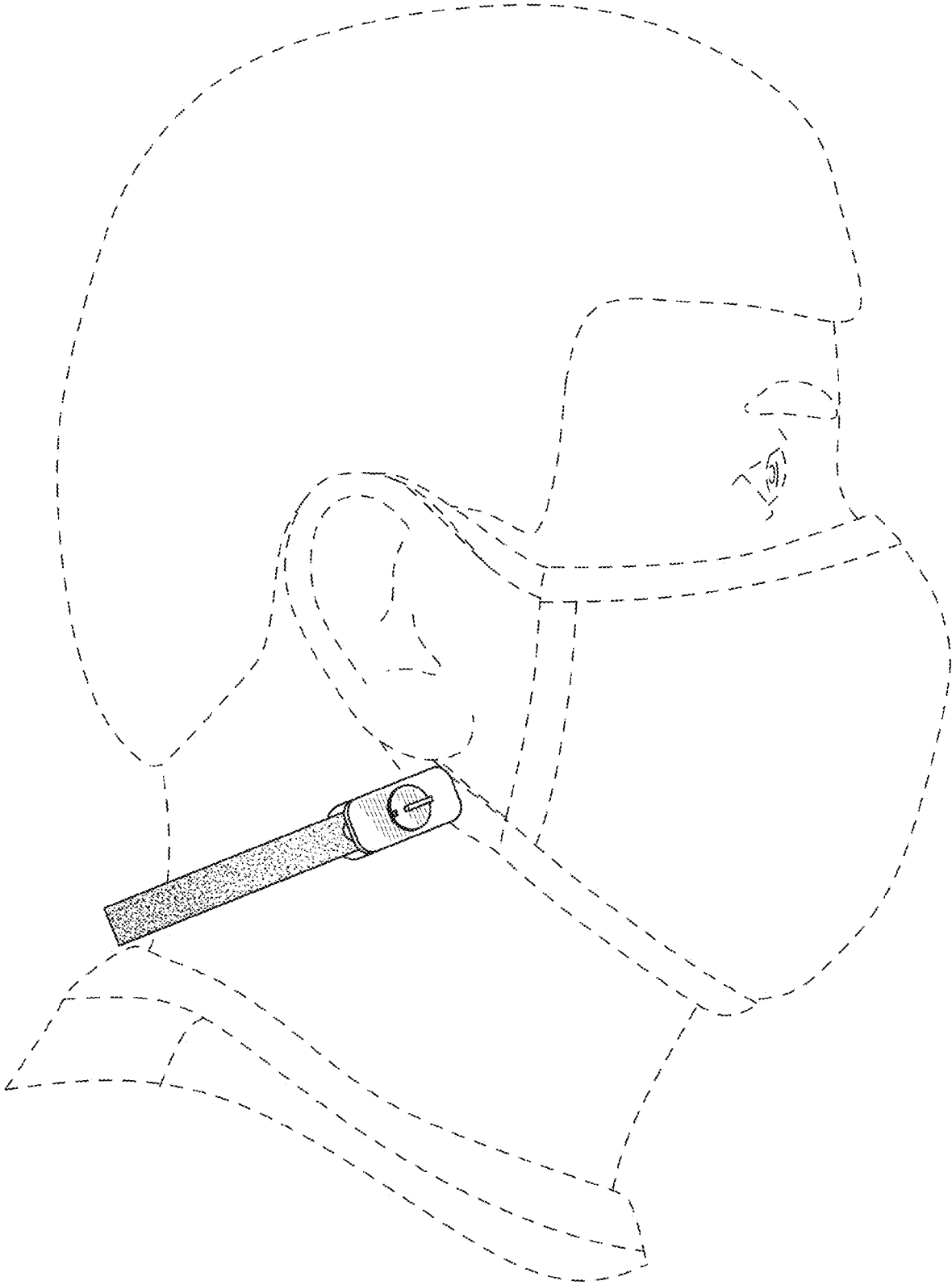


FIG. 9