



US00D797320S

(12) **United States Design Patent**
Amrine et al.

(10) **Patent No.:** **US D797,320 S**
(45) **Date of Patent:** **** Sep. 12, 2017**

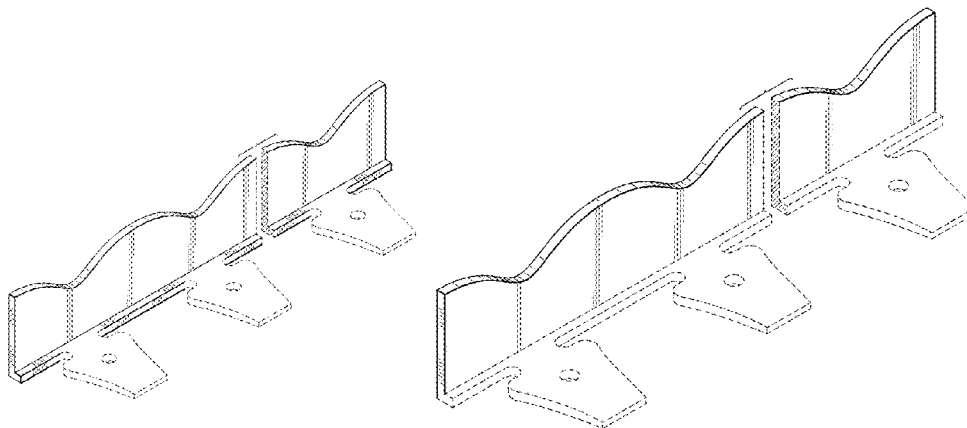
- (54) **LANDSCAPE EDGING**
- (71) Applicant: **Dimex, LLC**, Marietta, OH (US)
- (72) Inventors: **Patrick Amrine**, Williamstown, WV (US); **Matthew Miller**, Marietta, OH (US); **Forrest Adam Sanders**, Marietta, OH (US)
- (73) Assignee: **Dimex, LLC**, Marietta, OH (US)
- (**) Term: **15 Years**
- (21) Appl. No.: **29/560,596**
- (22) Filed: **Apr. 8, 2016**
- (51) **LOC (10) Cl.** **25-99**
- (52) **U.S. Cl.**
USPC **D25/164**
- (58) **Field of Classification Search**
USPC D25/35, 58, 102, 113, 114, 115, 119,
D25/136, 137, 139, 164, 199; 47/32.4,
47/33; 52/102; D8/1
CPC E01C 11/22; E01C 11/221; E01C 11/222;
E01C 11/223; E01C 11/225; A01G 1/00;
A01G 1/08
See application file for complete search history.

1,997,876	A	4/1935	Sheldon
2,163,613	A	6/1939	Manofsky
2,164,681	A	7/1939	Fould
2,193,425	A	3/1940	Lake
D130,420	S	11/1941	Schlatter
D151,022	S	9/1948	Weber et al.
D178,659	S	9/1956	Hield
2,809,809	A	10/1957	Johnston
2,865,136	A	12/1958	Howard
2,877,600	A	3/1959	Slate
D185,236	S	5/1959	Reese
3,170,201	A	2/1965	Nofziger
3,222,841	A	12/1965	Lipof
3,314,193	A	4/1967	Chancellor
3,332,197	A	7/1967	Hinkle
3,378,949	A	4/1968	Dorris
3,484,989	A	12/1969	Lazinsky
3,520,082	A	7/1970	Smith
3,604,164	A	9/1971	Mason
3,619,944	A	11/1971	Matvey
3,728,837	A	4/1973	Kiefer, Jr.
3,788,001	A	1/1974	Balfanz, Jr.
3,815,311	A	6/1974	Nisula et al.
3,957,383	A	5/1976	Fredericks
4,182,072	A	1/1980	Much
4,202,145	A	5/1980	Coulter et al.
4,349,596	A	9/1982	Hendrix
4,628,632	A	12/1986	Zwier
4,744,194	A	5/1988	Yasuyoshi
4,761,923	A	9/1988	Reum et al.
4,809,459	A	3/1989	Brylla et al.
4,824,068	A	4/1989	Ferland
4,858,379	A	8/1989	West
4,863,307	A	9/1989	Jones
4,905,442	A	3/1990	Daniels
4,907,783	A	3/1990	Fisk et al.
4,987,717	A	1/1991	Dameron, Jr.
5,020,272	A	6/1991	Herrema et al.
5,048,241	A	9/1991	Gavin, Jr.
5,117,583	A	6/1992	Reum
D329,707	S	9/1992	Embree et al.
D329,709	S	9/1992	Strobl, Jr.
5,152,507	A	10/1992	Lee
5,157,867	A	10/1992	Fritch
5,212,917	A	5/1993	Kurtz et al.
5,240,343	A	8/1993	Strobl, Jr.
D339,199	S	9/1993	Rynberk
5,301,461	A	4/1994	Zwier
5,375,941	A	12/1994	Strobl, Jr.
5,379,546	A	1/1995	Popp
5,421,118	A	6/1995	Bauer
5,442,877	A	8/1995	Lindhal
D363,788	S	10/1995	Caley

(56) **References Cited**

U.S. PATENT DOCUMENTS

268,441	A	12/1882	Tunica
457,886	A	8/1891	Landis
992,529	A	5/1911	Abraham
1,139,515	A *	5/1915	Haas A01G 1/08 47/33
D54,160	S *	11/1919	Woodruff D25/139
D67,565	S *	6/1925	Abbey et al. D25/139
1,666,613	A	4/1928	Woods
D85,638	S *	12/1931	Finley D25/139
D89,783	S *	5/1933	Moone D25/139
1,913,768	A *	6/1933	Moone E04D 1/26 D25/139
D92,504	S *	6/1934	Topping D25/139
1,993,134	A *	3/1935	Ford E04D 1/26 D25/139



D366,191	S	1/1996	Gay	
5,501,036	A	3/1996	Torp, Jr. et al.	
D368,969	S	4/1996	Davies	
5,519,970	A	5/1996	Reum et al.	
D372,547	S	8/1996	Sjodin	
D373,205	S	8/1996	Caley	
5,544,445	A	8/1996	Mantilla	
D378,857	S	4/1997	Hale	
5,640,801	A	6/1997	Rynberk	
D393,164	S	4/1998	Russell et al.	
5,771,643	A	6/1998	Parker	
5,772,357	A	6/1998	Evans	
D400,985	S	11/1998	Risi	
D408,558	S	4/1999	Levy	
5,930,947	A	8/1999	Eckhoff	
5,941,018	A	8/1999	Herrema	
D416,096	S	* 11/1999	Tisbo	D25/164
6,012,254	A	1/2000	Gaston	
6,030,144	A	2/2000	Cannella	
6,038,811	A	3/2000	Conway	
D424,714	S	5/2000	Hale	
6,085,458	A	7/2000	Gau	
6,099,201	A	8/2000	Abbrancati	
6,108,969	A	8/2000	Danna et al.	
6,226,934	B1	5/2001	Gaston	
6,324,782	B1	12/2001	Gaston	
6,324,783	B1	12/2001	McIntyre et al.	
D453,578	S	2/2002	Olson	
6,345,465	B1	2/2002	Allen et al.	
6,379,078	B1	4/2002	Zwier	
6,385,898	B1	5/2002	Noel	
D462,788	S	9/2002	Thornton et al.	
D463,581	S	9/2002	Mann	
6,449,897	B1	9/2002	Gaston	
6,485,226	B1	11/2002	Harger	
D467,015	S	12/2002	O'Brien	
6,568,126	B2	5/2003	Womack	
6,619,565	B1	9/2003	Abbott	
6,629,383	B2	10/2003	Allen et al.	
D489,465	S	5/2004	Allsopp	
6,754,989	B2	6/2004	Eicher	
6,779,297	B2	8/2004	Conde	
D541,952	S	5/2007	Keeley et al.	
D543,286	S	5/2007	Keeley et al.	
D548,368	S	8/2007	Hale et al.	
D586,005	S	2/2009	Schumaker et al.	
D586,926	S	2/2009	Orton	
D595,429	S	* 6/2009	Orton	D25/119
D606,670	S	12/2009	Keeley	
D612,072	S	3/2010	Keeley	
D670,407	S	* 11/2012	Leitch	D25/139
D733,936	S	7/2015	Amrine et al.	
D748,822	S	2/2016	Amrine et al.	
D748,823	S	2/2016	Amrine et al.	
D773,074	S	* 11/2016	Amrine	D25/164
2002/0139045	A1	10/2002	Womack	
2003/0188478	A1	10/2003	Womack	

FOREIGN PATENT DOCUMENTS

GB	480927	A	3/1938
GB	2369979	A	6/2002
JP	7255277		10/1995
JP	2002253060	A	9/2002
JP	3490497	B2	1/2004

OTHER PUBLICATIONS

Valley View Industries, 2015 Retail Catalog, Independent Garden Centers/Hardware/Regional Merchants, 11 pgs., Apr. 27, 2015.

Valley View Specialties Co., Diamond-Lok Paver/Briick Edging, Pre Apr. 1996.
Permaloc, Structure Edge Interlocking Snap-down Splicing System, Pre Apr. 1996.

* cited by examiner

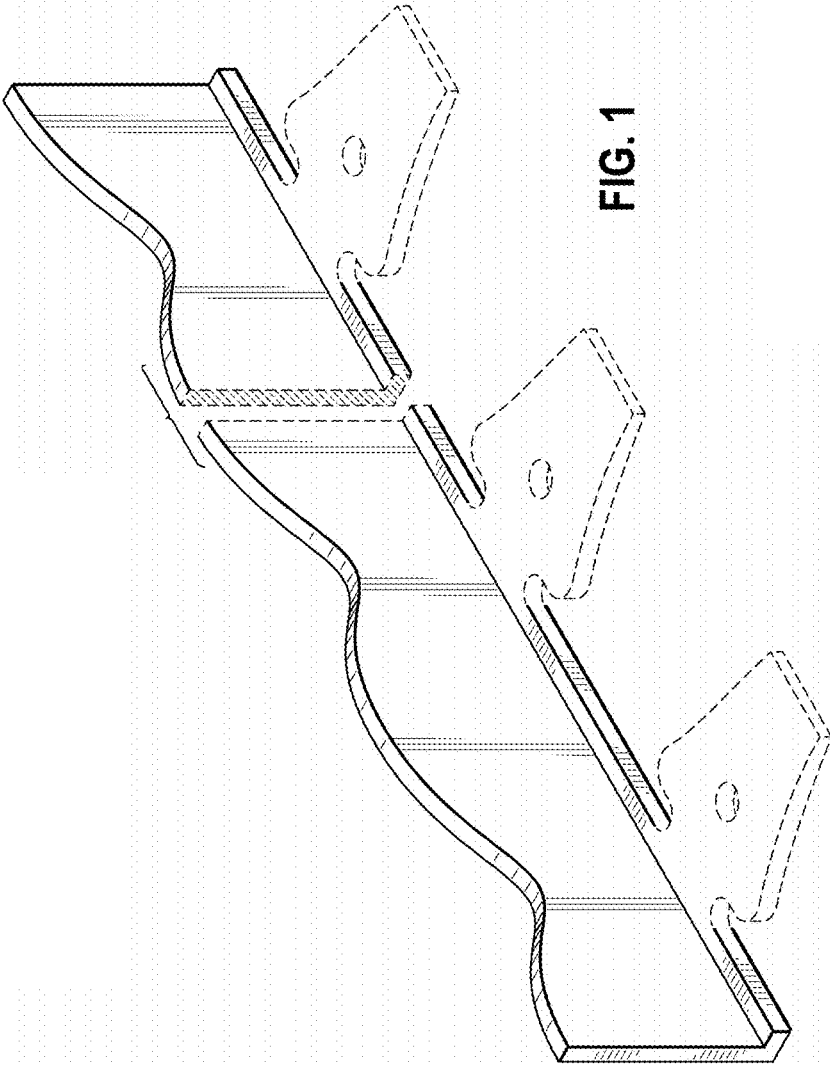
Primary Examiner — Cynthia Ramirez
Assistant Examiner — Llorellys Martinez-Rivera
(74) Attorney, Agent, or Firm — Wood Herron & Evans LLP

(57) CLAIM

The ornamental design for a landscape edging, as shown and described.

DESCRIPTION

FIG. 1 is a front isometric view of a landscape edging, showing a first embodiment of our new design;
FIG. 2 is a front elevational view of the landscape edging of FIG. 1;
FIG. 3 is a right side elevational view of the landscape edging of FIG. 1;
FIG. 4 is a rear elevational view of the landscape edging of FIG. 1;
FIG. 5 is a left side elevational view of the landscape edging of FIG. 1;
FIG. 6 is a top plan view of the invention of the landscape edging of FIG. 1;
FIG. 7 is a bottom plan view of the invention of the landscape edging of FIG. 1;
FIG. 8 is a top plan view thereof, showing the landscape edging of FIG. 1 in an alternate configuration of use;
FIG. 9 is a front isometric view of the landscape edging, showing a second embodiment of our new design;
FIG. 10 is a front elevational view of the landscape edging of FIG. 9;
FIG. 11 is a right side elevational view of the landscape edging of FIG. 9;
FIG. 12 is a rear elevational view of the landscape edging of FIG. 9;
FIG. 13 is a left side elevational view of the landscape edging of FIG. 9;
FIG. 14 is a top plan view of the invention of the landscape edging of FIG. 9;
FIG. 15 is a bottom plan view of the invention of the landscape edging of FIG. 9; and,
FIG. 16 is a top plan view thereof, showing the landscape edging of FIG. 9 in an alternate configuration of use.
The landscape edging is shown with a symbolic break in its length. The appearance of any portion of the landscape edging between the break lines forms no part of the claimed design. The broken lines immediately adjacent to the shaded areas represent portions of the landscape edging that form no part of the claimed design.



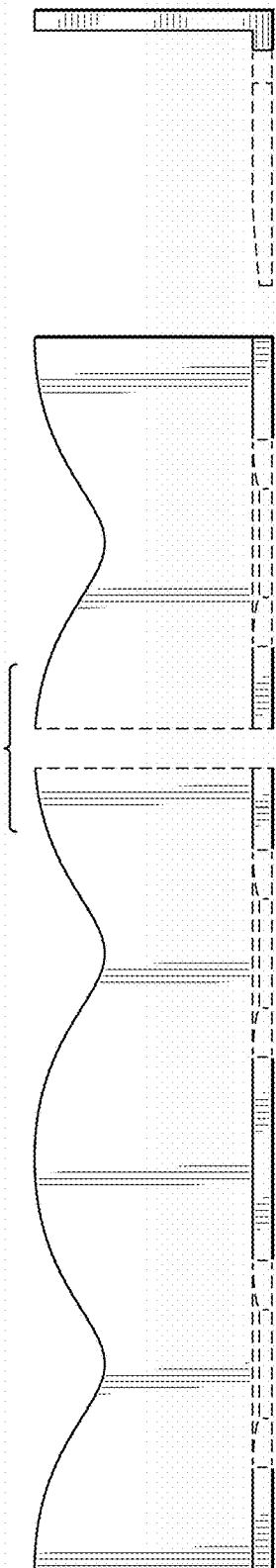


FIG. 3

FIG. 2

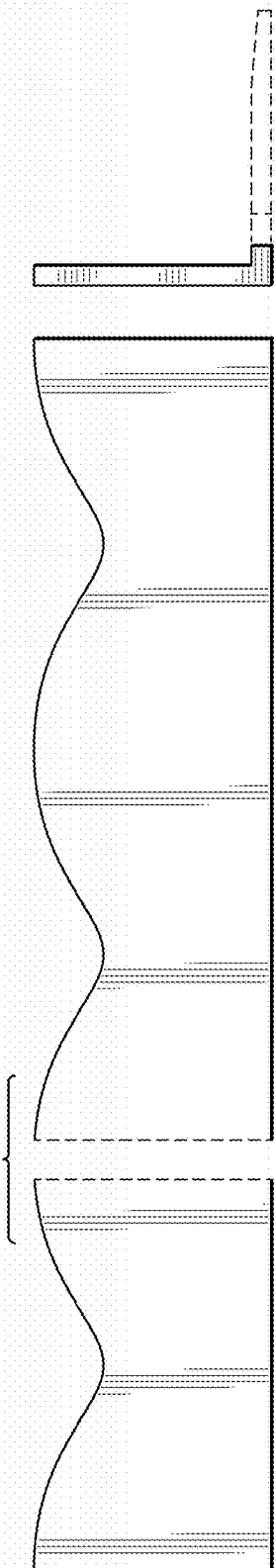


FIG. 5

FIG. 4

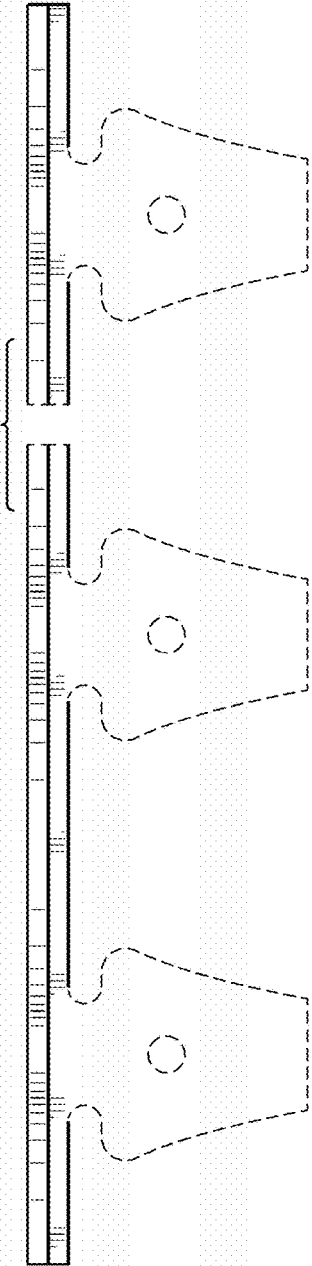


FIG. 6

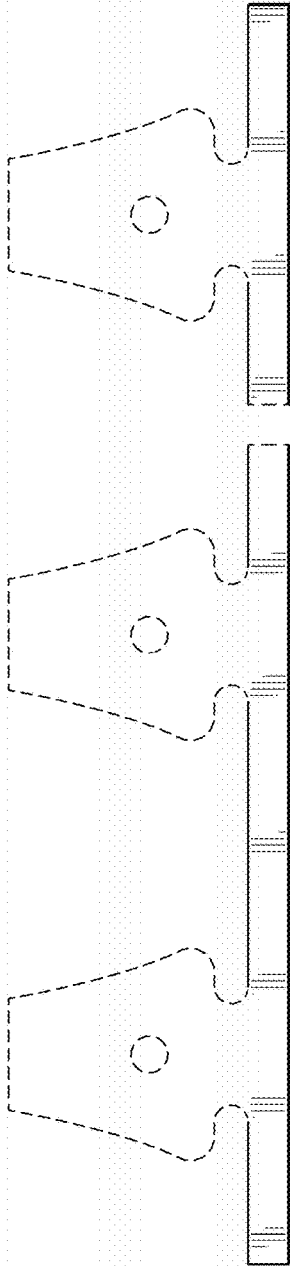


FIG. 7

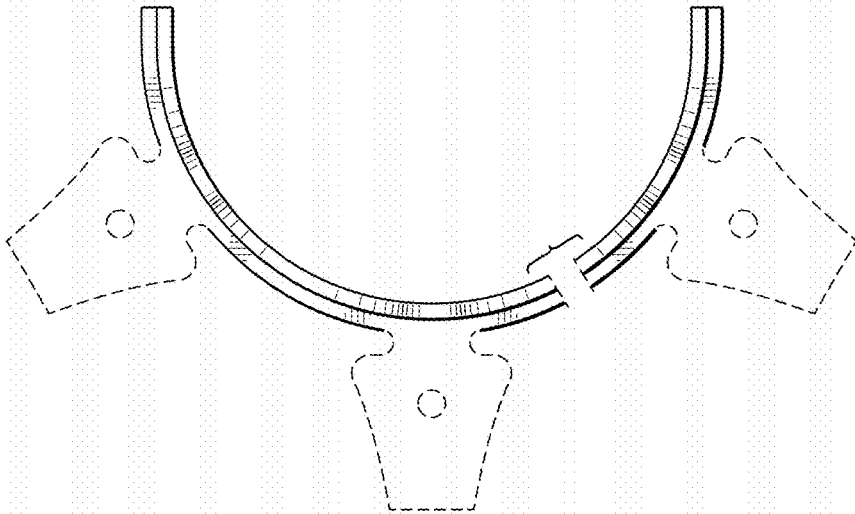
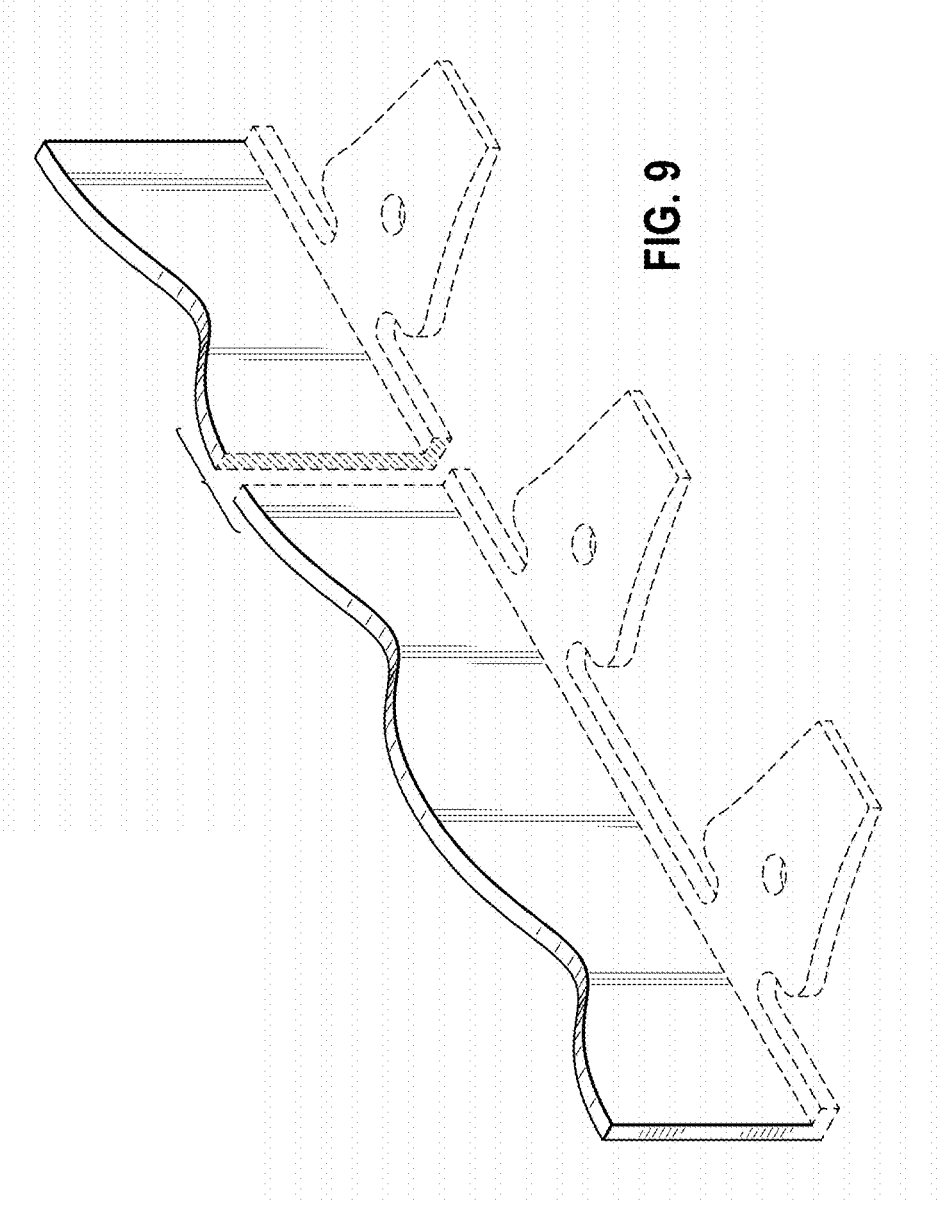


FIG. 8



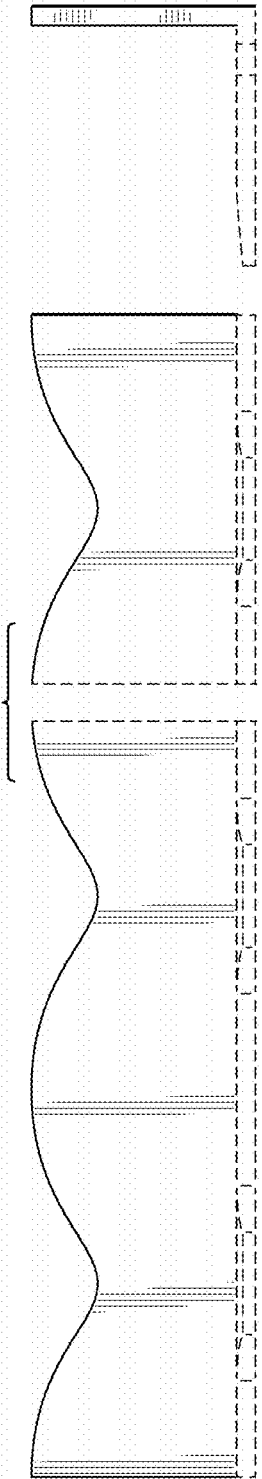


FIG. 11

FIG. 10

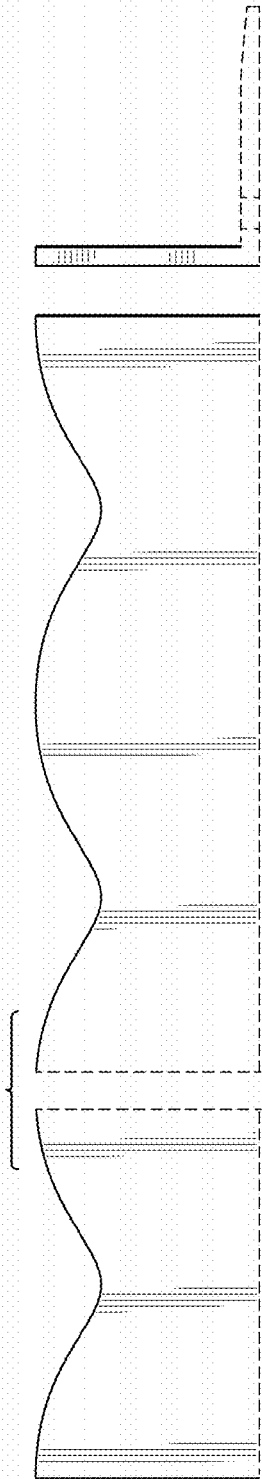


FIG. 13

FIG. 12

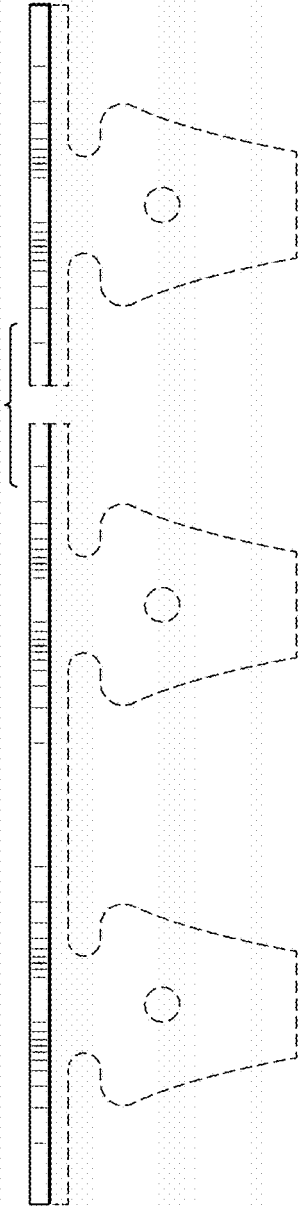


FIG. 14

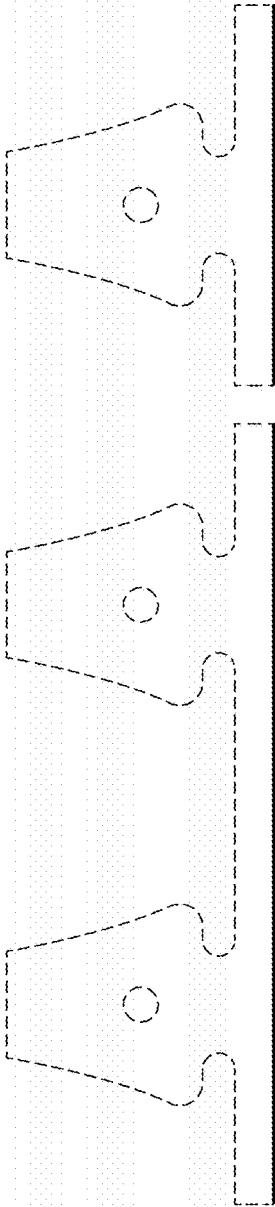


FIG. 15

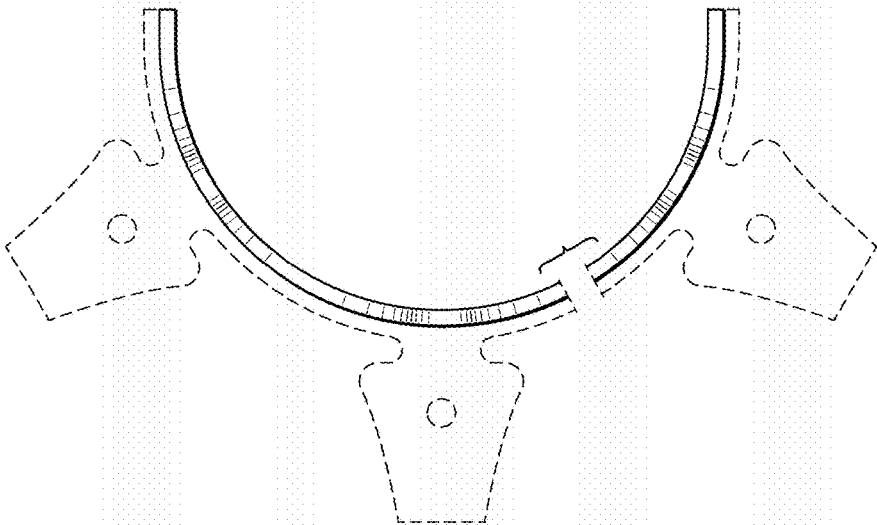


FIG. 16