



US0D1054347S

(12) **United States Design Patent**  
**Ghahramanian**

(10) **Patent No.:** **US D1,054,347 S**

(45) **Date of Patent:** **\*\* Dec. 17, 2024**

(54) **STEERING WHEEL AND PEDAL STAND**

(57) **CLAIM**

(71) Applicant: **Next Level Racing Simulations Pty Ltd**, Southport (AU)

The ornamental design for a steering wheel and pedal stand, as shown and described.

(72) Inventor: **Hessam Ghahramanian**, Southport (AU)

**DESCRIPTION**

(73) Assignee: **Next Level Racing Simulations Pty Ltd**, Southport (AU)

FIG. 1 is a top view of a steering wheel and pedal stand in a first operable configuration;  
FIG. 2 is a bottom view of a steering wheel and pedal stand in a first operable configuration;  
FIG. 3 is a first side view of a steering wheel and pedal stand in a first operable configuration;  
FIG. 4 is a second side view of a steering wheel and pedal stand in a first operable configuration;  
FIG. 5 is a front view of a steering wheel and pedal stand in a first operable configuration;  
FIG. 6 is a rear view of a steering wheel and pedal stand in a first operable configuration;  
FIG. 7 is an upper front perspective view of a steering wheel and pedal stand in a first operable configuration;  
FIG. 8 is a lower front perspective view of a steering wheel and pedal stand in a first operable configuration;  
FIG. 9 is an upper rear perspective view of a steering wheel and pedal stand in a first operable configuration;  
FIG. 10 is a lower rear perspective view of a steering wheel and pedal stand in a first operable configuration;  
FIG. 11 is a top view of a steering wheel and pedal stand in a second operable configuration;  
FIG. 12 is a bottom view of a steering wheel and pedal stand in a second operable configuration;  
FIG. 13 is a first side view of a steering wheel and pedal stand in a second operable configuration;  
FIG. 14 is a second side view of a steering wheel and pedal stand in a second operable configuration;  
FIG. 15 is a front view of a steering wheel and pedal stand in a second operable configuration;  
FIG. 16 is a rear view of a steering wheel and pedal stand in a second operable configuration;  
FIG. 17 is an upper front perspective view of a steering wheel and pedal stand in a second operable configuration;  
FIG. 18 is a lower front perspective view of a steering wheel and pedal stand in a second operable configuration;

(\*\*) Term: **15 Years**

(21) Appl. No.: **29/806,148**

(22) Filed: **Sep. 1, 2021**

(51) **LOC (14) Cl.** ..... **12-16**

(52) **U.S. Cl.**  
USPC ..... **D12/177**

(58) **Field of Classification Search**  
USPC ..... D12/177; D13/112, 113, 114, 123, 199;  
D15/5, 148, 149; D21/326, 327, 329,  
D21/333, 477

(Continued)

(56) **References Cited**

**U.S. PATENT DOCUMENTS**

D656,553 S \* 3/2012 Blaskov ..... D21/333  
D701,917 S \* 4/2014 Ghahramanian ..... D21/333  
(Continued)

**OTHER PUBLICATIONS**

Pedal Stands. (Design—© Questel) orbit.com. [Online PDF compilation of references] 42 pgs. Print Dates Range Apr. 18, 2023-Nov. 10, 1999 [Retrieved Apr. 2, 2024].\*

(Continued)

*Primary Examiner* — Garth Rademaker  
*Assistant Examiner* — Suzanne E Tisdell

(74) *Attorney, Agent, or Firm* — Fox Rothschild LLP

(Continued)

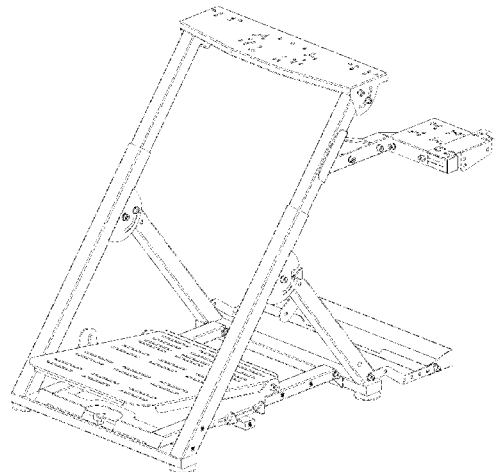


FIG. 19 is an upper rear perspective view of a steering wheel and pedal stand in a second operable configuration;  
 FIG. 20 is a lower rear perspective view of a steering wheel and pedal stand in a second operable configuration;  
 FIG. 21 is a front view of a steering wheel and pedal stand in a folded configuration;  
 FIG. 22 is a rear view of a steering wheel and pedal stand in a folded configuration;  
 FIG. 23 is a second side view of a steering wheel and pedal stand in a folded configuration;  
 FIG. 24 is a first side view of a steering wheel and pedal stand in a folded configuration;  
 FIG. 25 is a top view of a steering wheel and pedal stand in a folded configuration;  
 FIG. 26 is a bottom view of a steering wheel and pedal stand in a folded configuration;  
 FIG. 27 is an upper front perspective view of a steering wheel and pedal stand in a folded configuration;  
 FIG. 28 is a lower front perspective view of a steering wheel and pedal stand in a folded configuration;  
 FIG. 29 is an upper rear perspective view of a steering wheel and pedal stand in a folded configuration; and,  
 FIG. 30 is a lower rear perspective view of a steering wheel and pedal stand in a folded configuration.

**1 Claim, 30 Drawing Sheets**

(58) **Field of Classification Search**  
 CPC ..... B06K 7/007; B60L 15/2009; Y02T 10/72;  
 Y02T 10/7275  
 See application file for complete search history.

(56)

**References Cited**

U.S. PATENT DOCUMENTS

D835,198	S	*	12/2018	Berlinches .....	D21/326
D910,758	S	*	2/2021	Leong .....	D21/326
D912,733	S	*	3/2021	Ghahramanian .....	D21/333
D931,373	S	*	9/2021	Ghahramanian .....	D21/326
D973,134	S	*	12/2022	Yan .....	D21/326
D977,011	S	*	1/2023	Xu .....	D21/326
D978,967	S	*	2/2023	Ghahramanian .....	D21/333
D986,973	S	*	5/2023	Chen .....	D21/326
D993,319	S	*	7/2023	Berlinches .....	D21/326
D1,016,171	S	*	2/2024	Smit .....	D21/326
D1,027,038	S	*	5/2024	Xu .....	D21/326

OTHER PUBLICATIONS

Vevor G920 Racing Steering Wheel Stand. Feb. 7, 2018. Amazon. [https://www.amazon.com/VEVOR-Steering-Logitech-Thrustmaster%E2%8C%84Wheel-Included/dp/B077PZKNDH/ref=asc\\_df\\_B077PZKNDH/?tag=hyprod-20](https://www.amazon.com/VEVOR-Steering-Logitech-Thrustmaster%E2%8C%84Wheel-Included/dp/B077PZKNDH/ref=asc_df_B077PZKNDH/?tag=hyprod-20).\*

Vevor Foldable Racing Steering Wheel Stand. Jan. 30, 2024. Amazon. [https://www.amazon.com/dp/B0CTKCQX1P/ref=sspa\\_dk\\_detail\\_0?psc=1&pd\\_rd\\_i=B0CTKCQX1P&pd\\_rd\\_w=mRupO&content-id=amzn1.sym](https://www.amazon.com/dp/B0CTKCQX1P/ref=sspa_dk_detail_0?psc=1&pd_rd_i=B0CTKCQX1P&pd_rd_w=mRupO&content-id=amzn1.sym).\*

Steering Wheel Stand for Thrustmaster. Nov. 1, 2021. Amazon. <https://www.amazon.com/Steering-Thrustmaster-Fanatec-controllers-Upgradeable-included/dp/B09KZRRJ9Y?th=1>.\*

\* cited by examiner

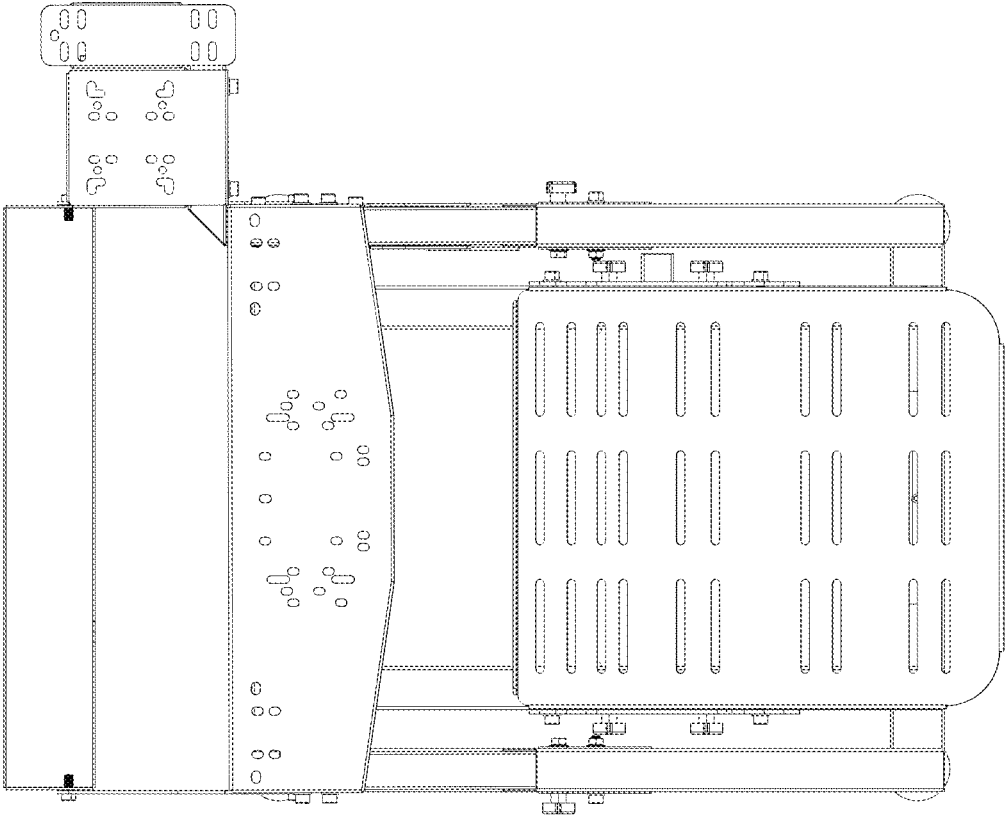


FIG. 1

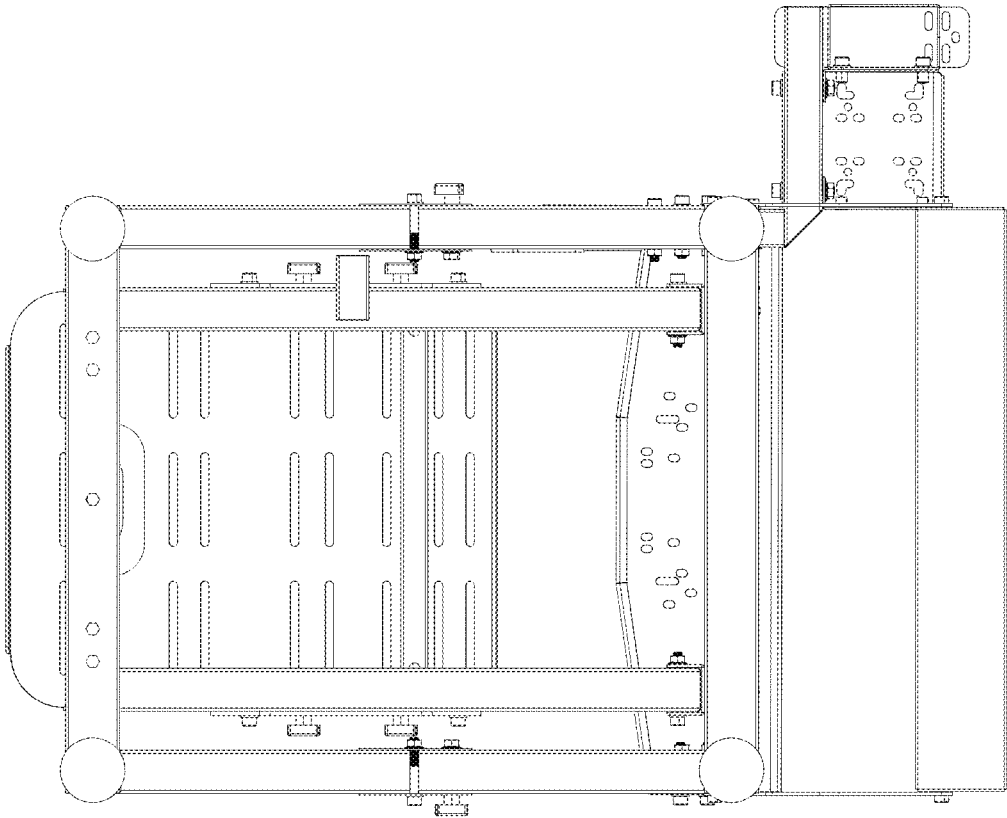


FIG. 2

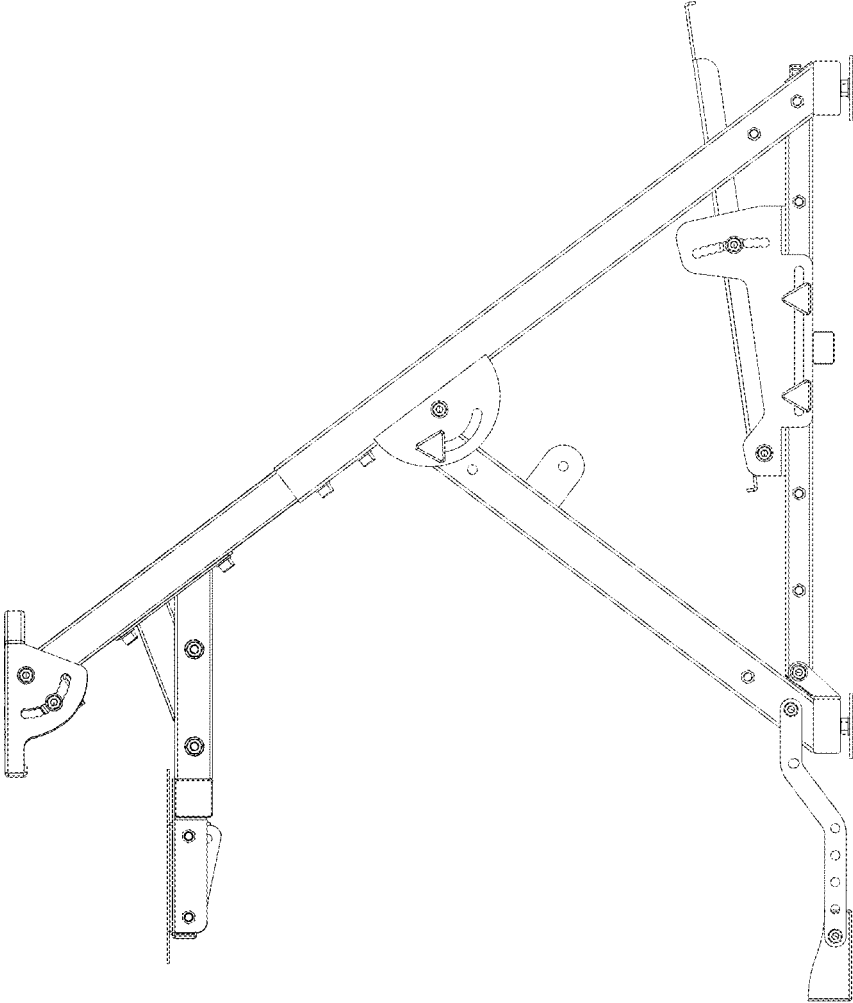


FIG. 3

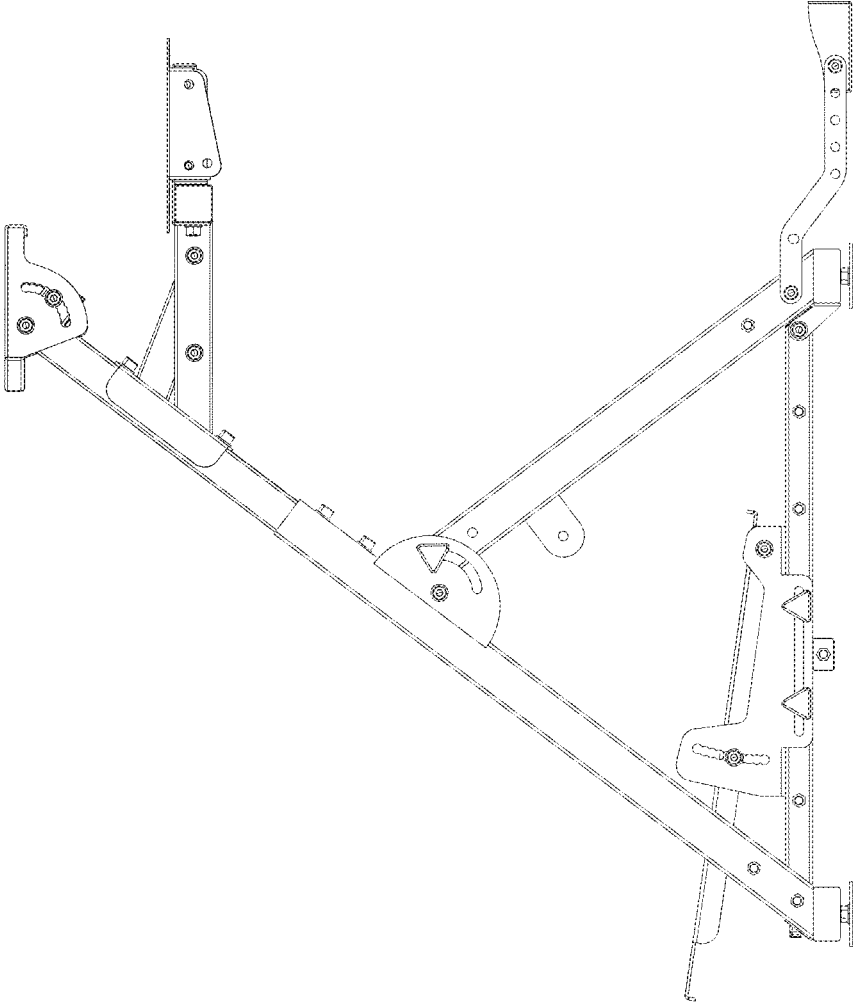


FIG. 4

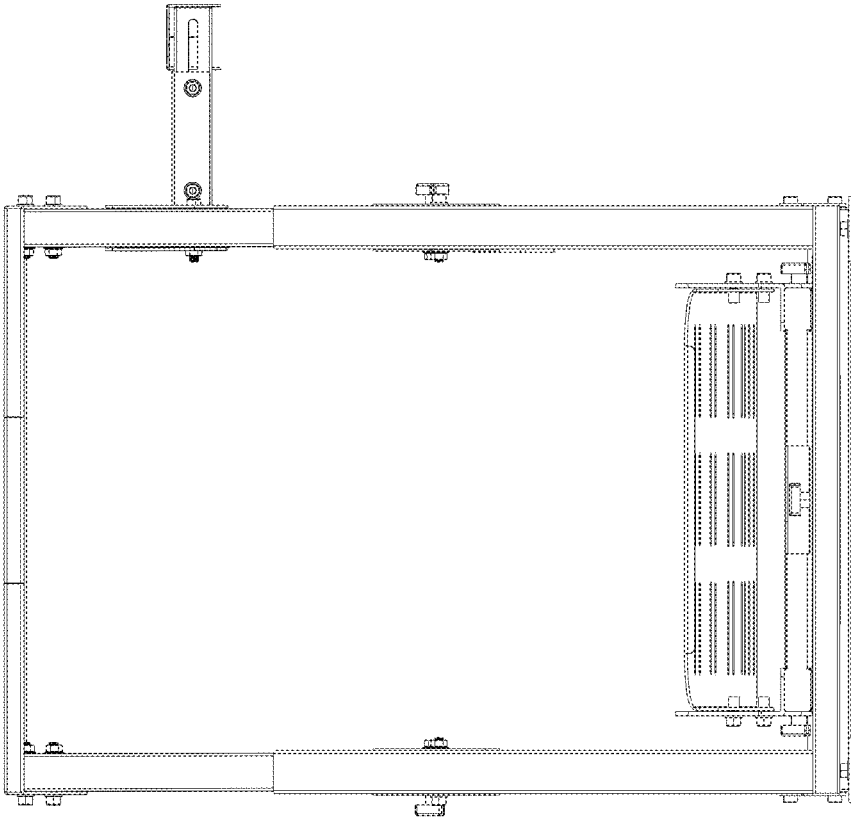


FIG. 5

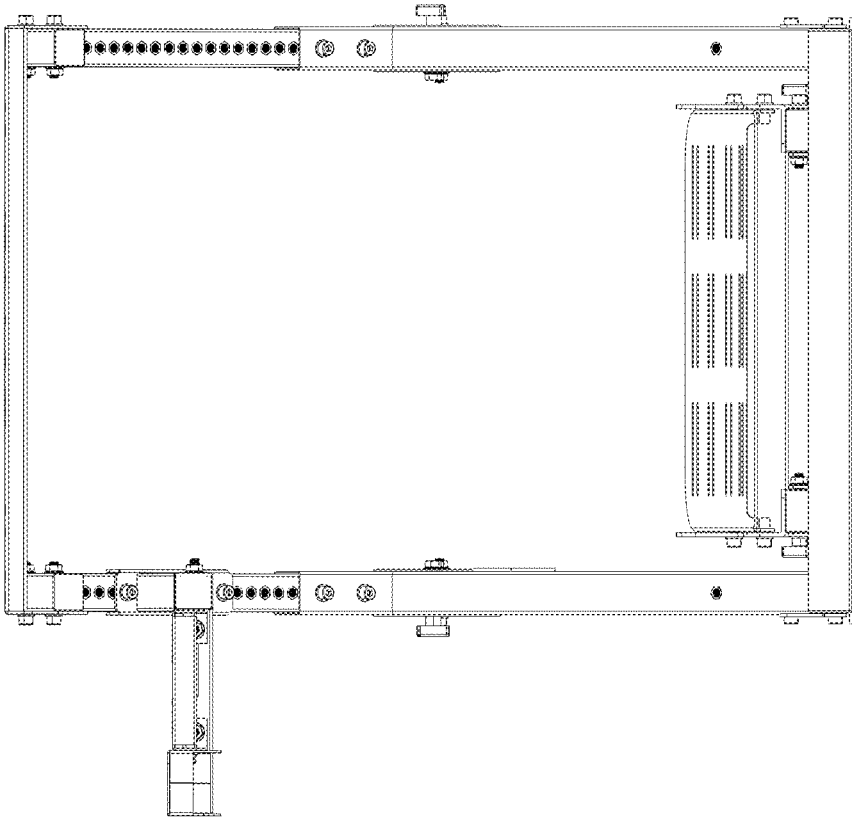


FIG. 6

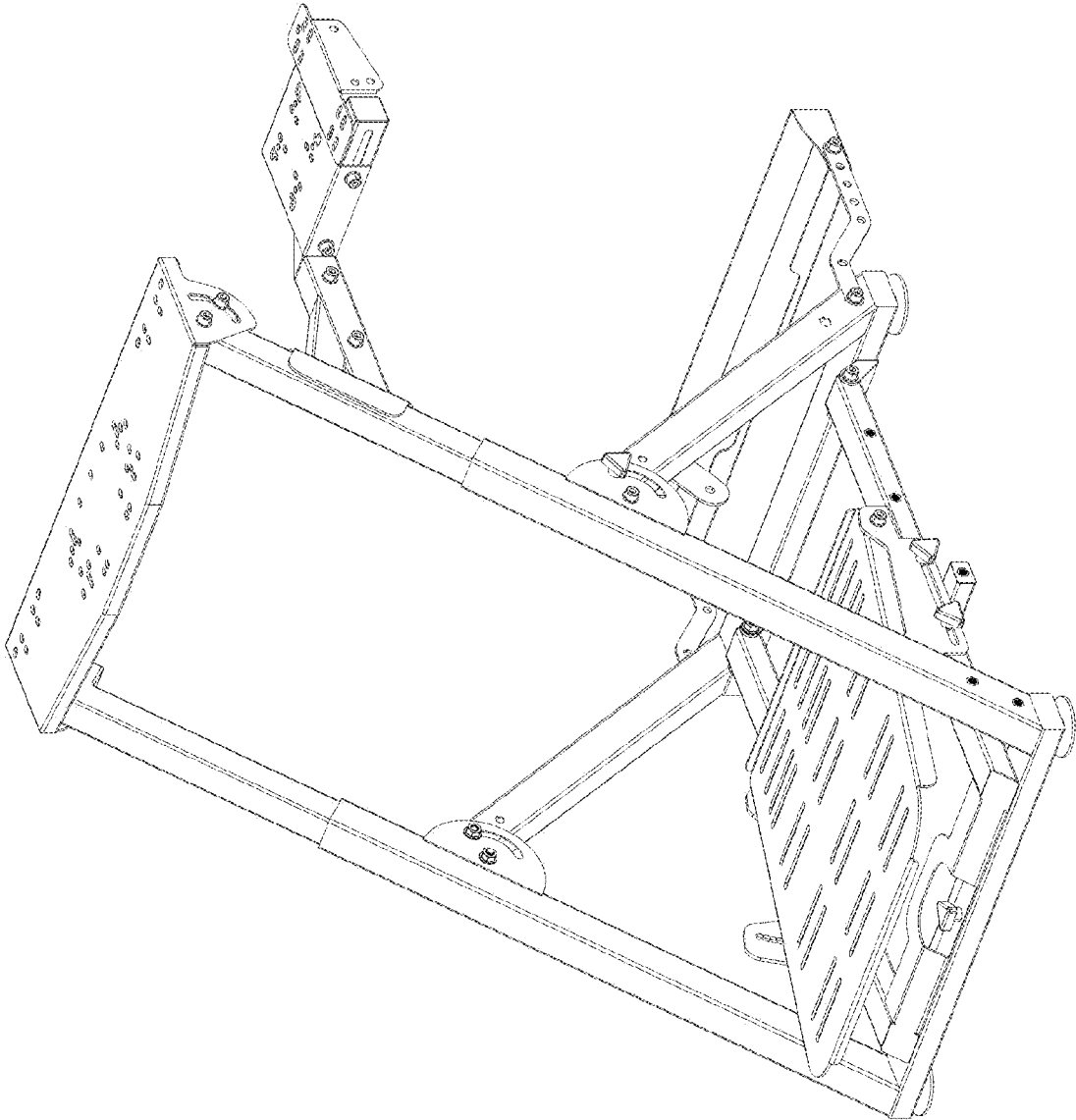


FIG. 7

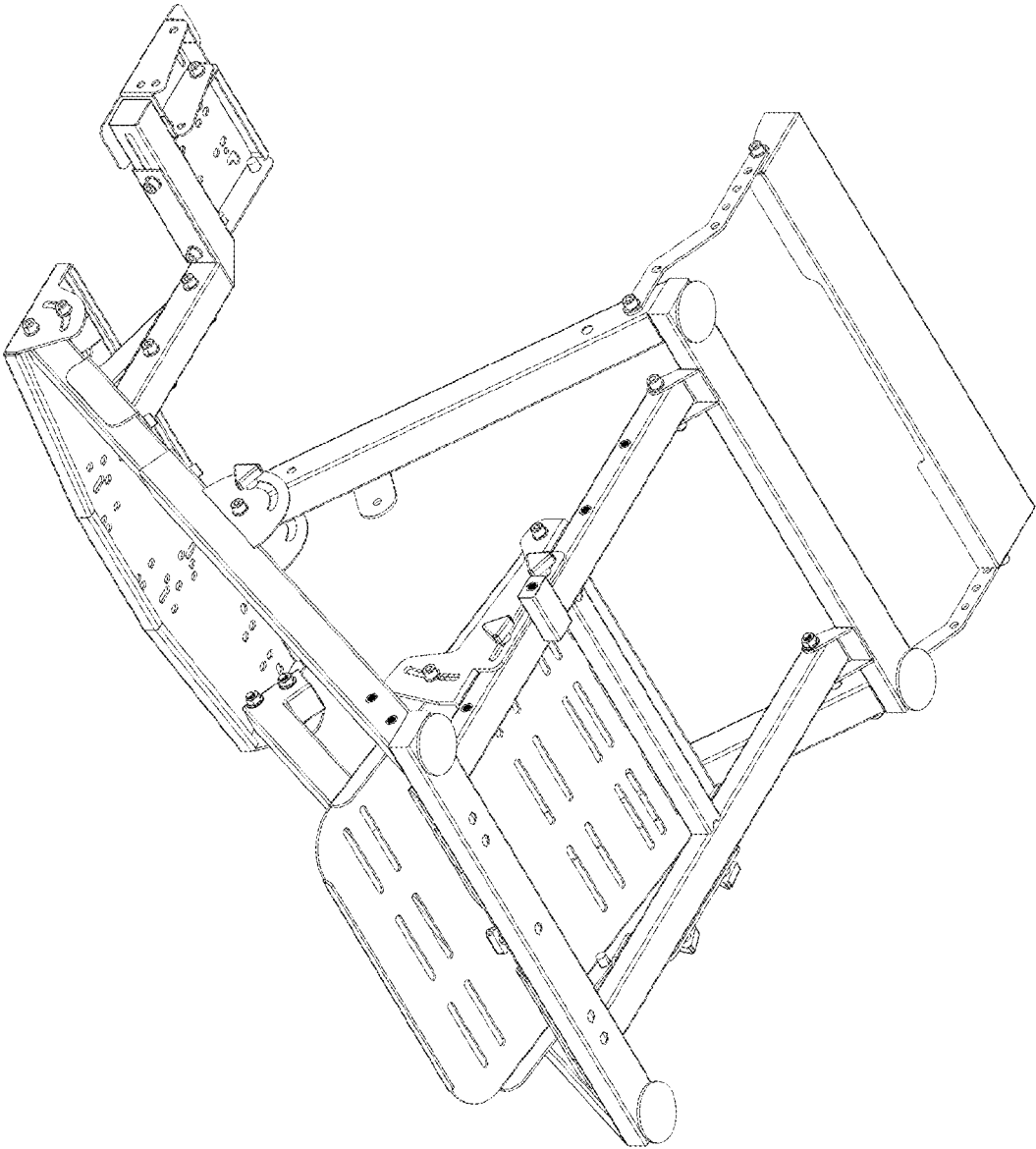


FIG. 8

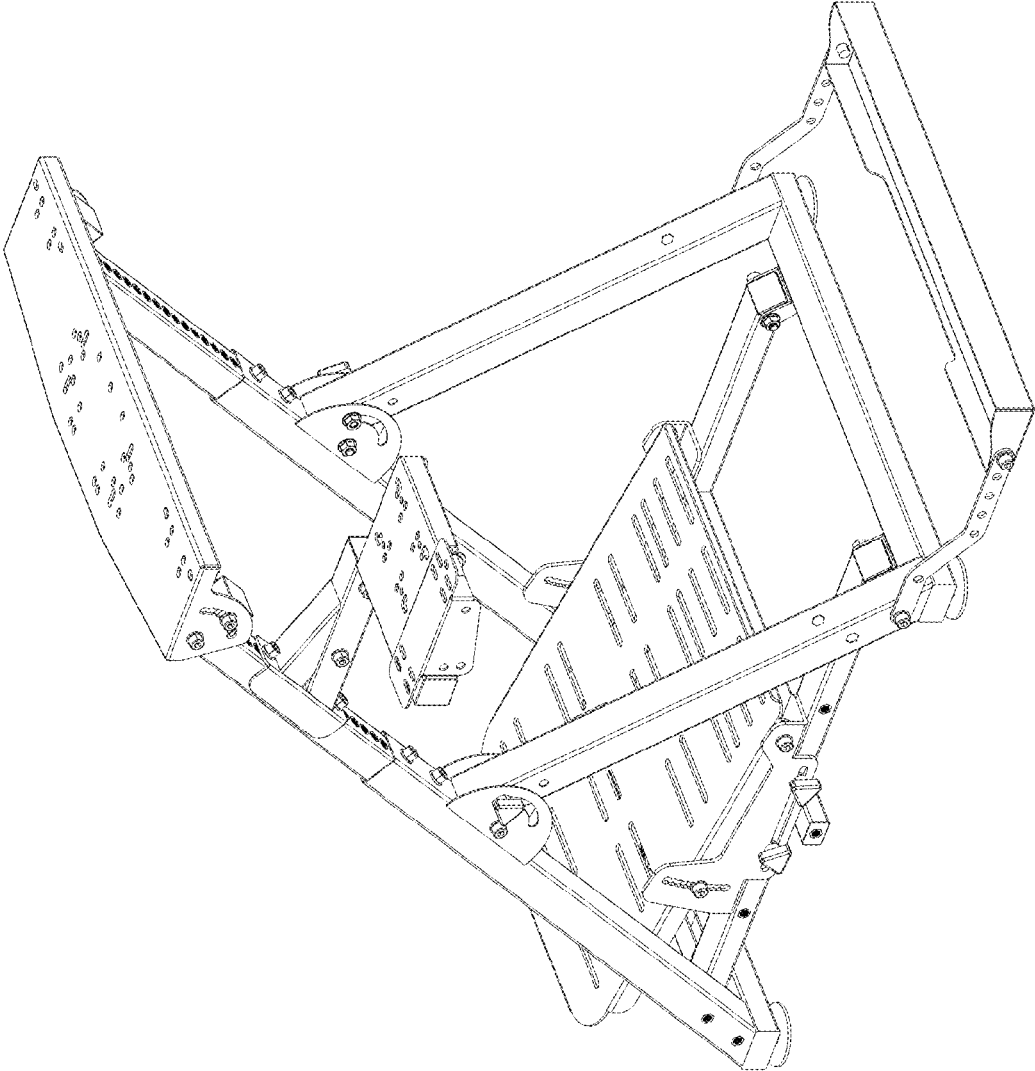


FIG. 9

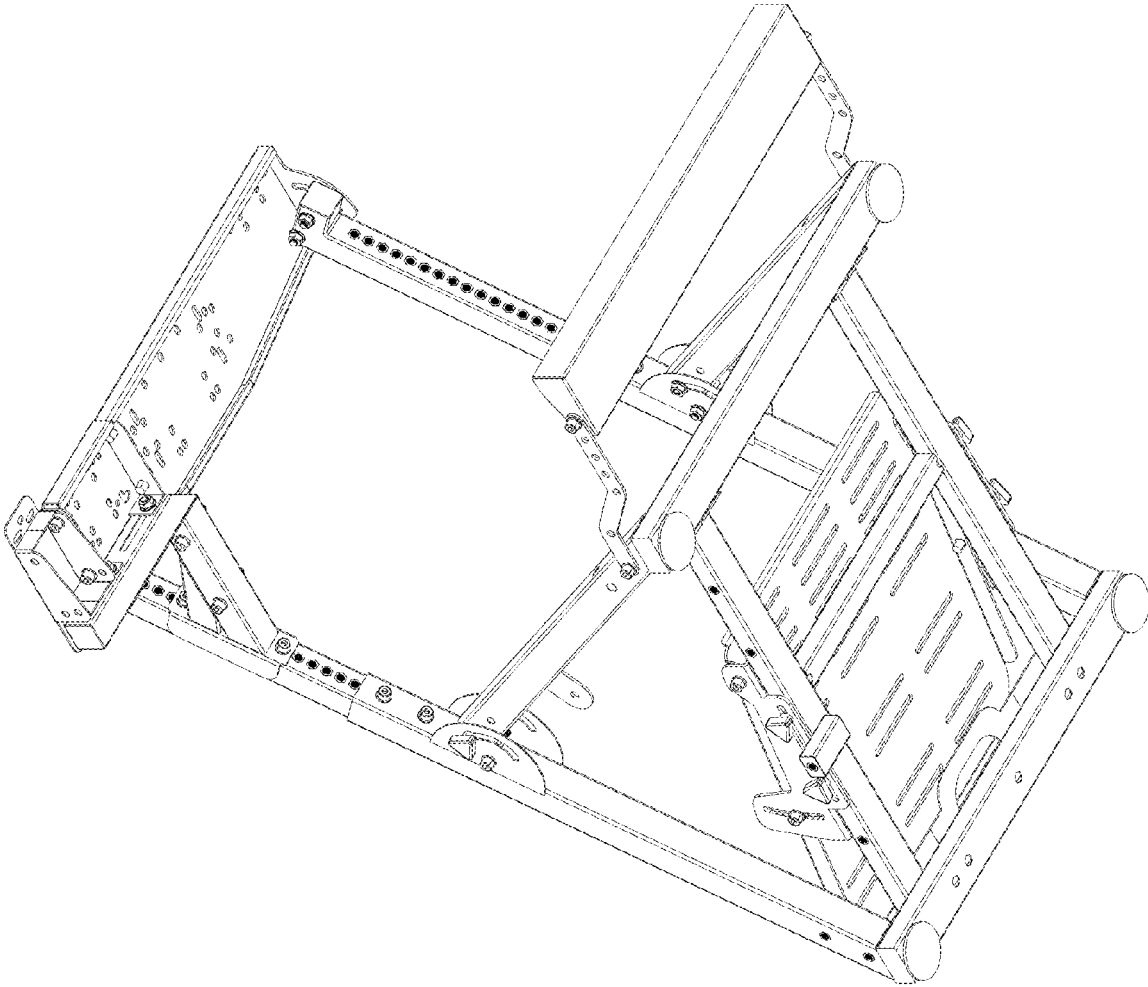


FIG. 10

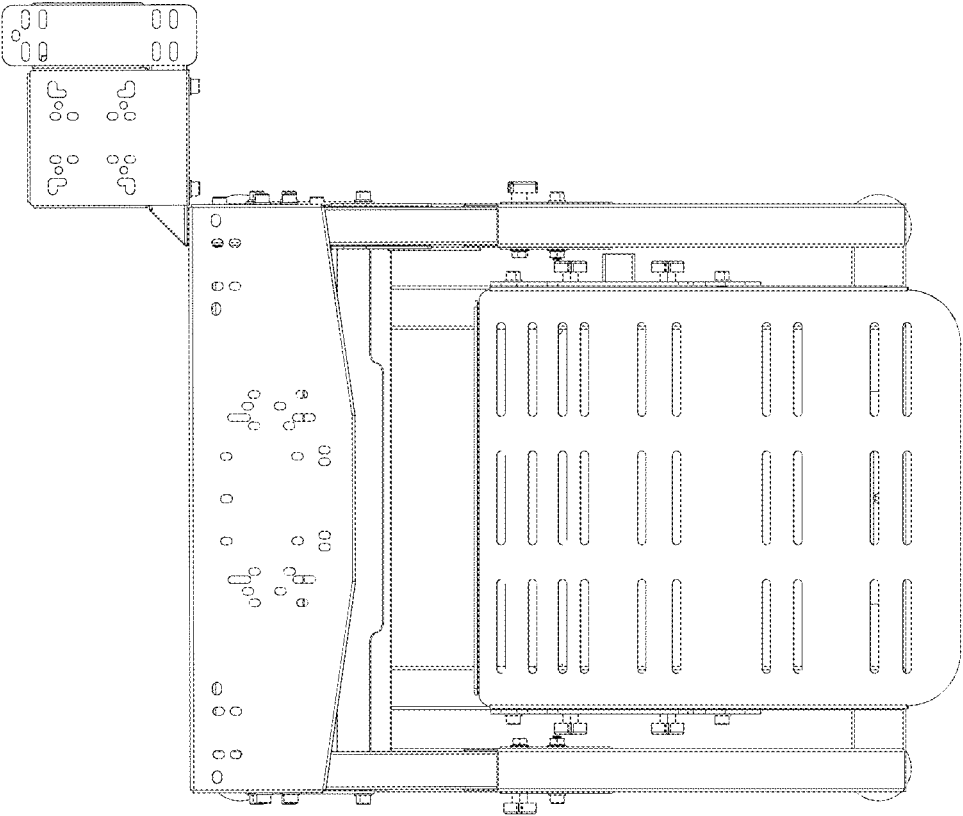


FIG. 11

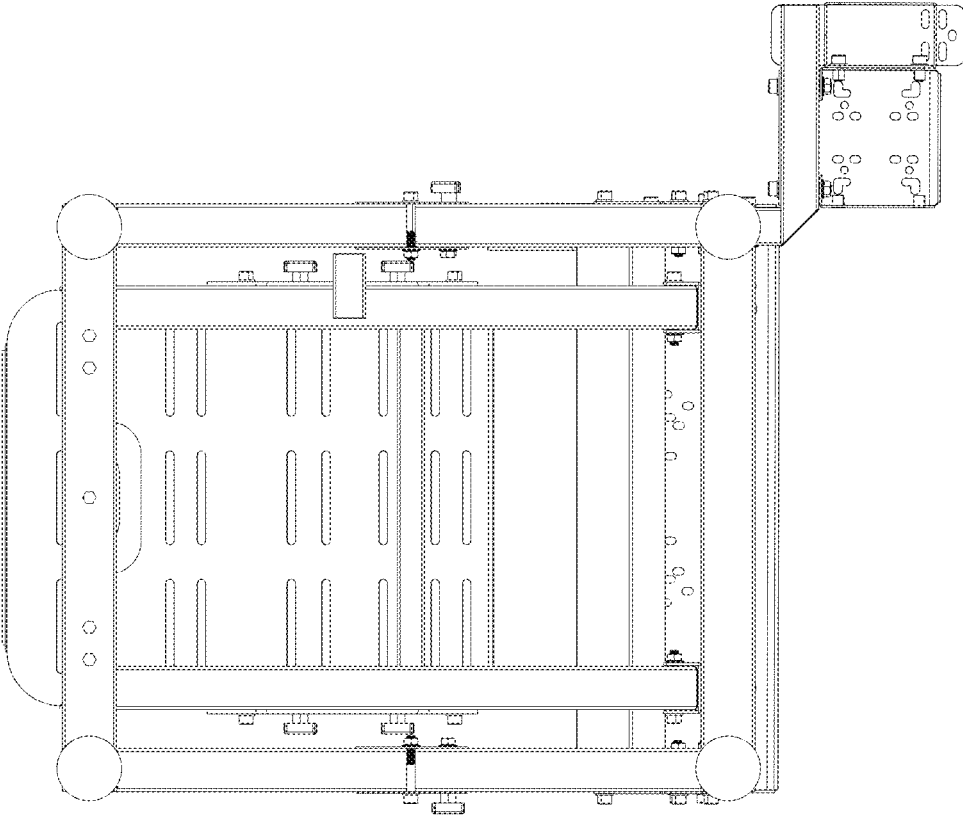


FIG. 12

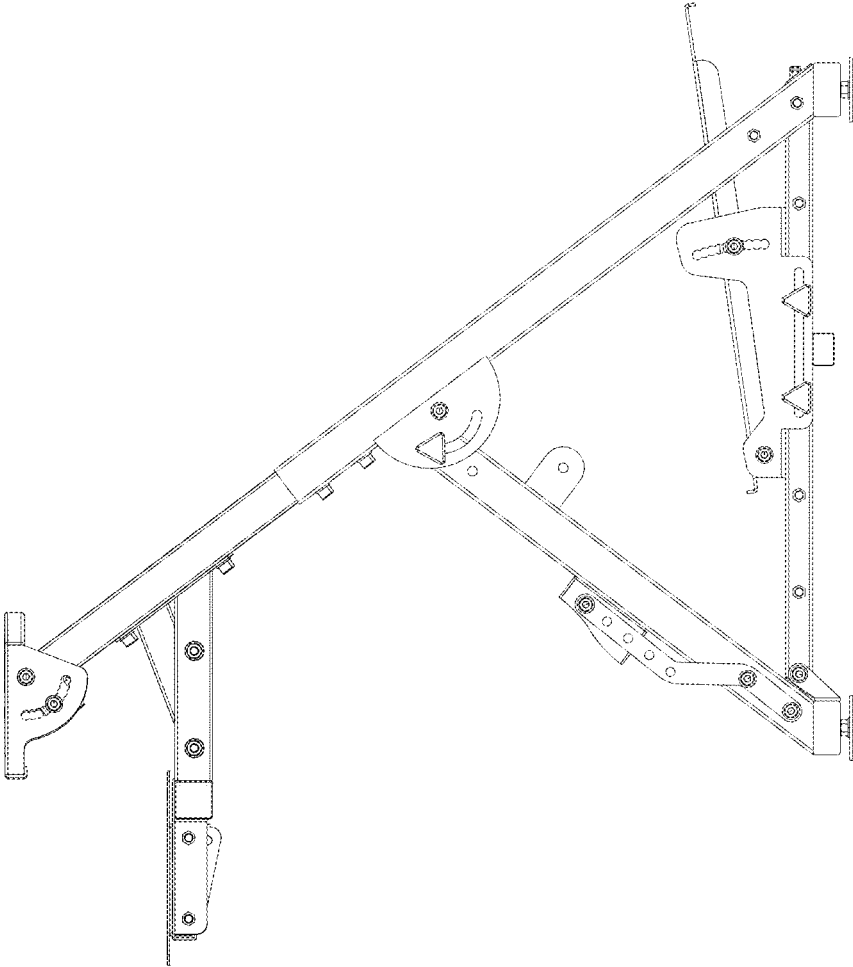


FIG. 13

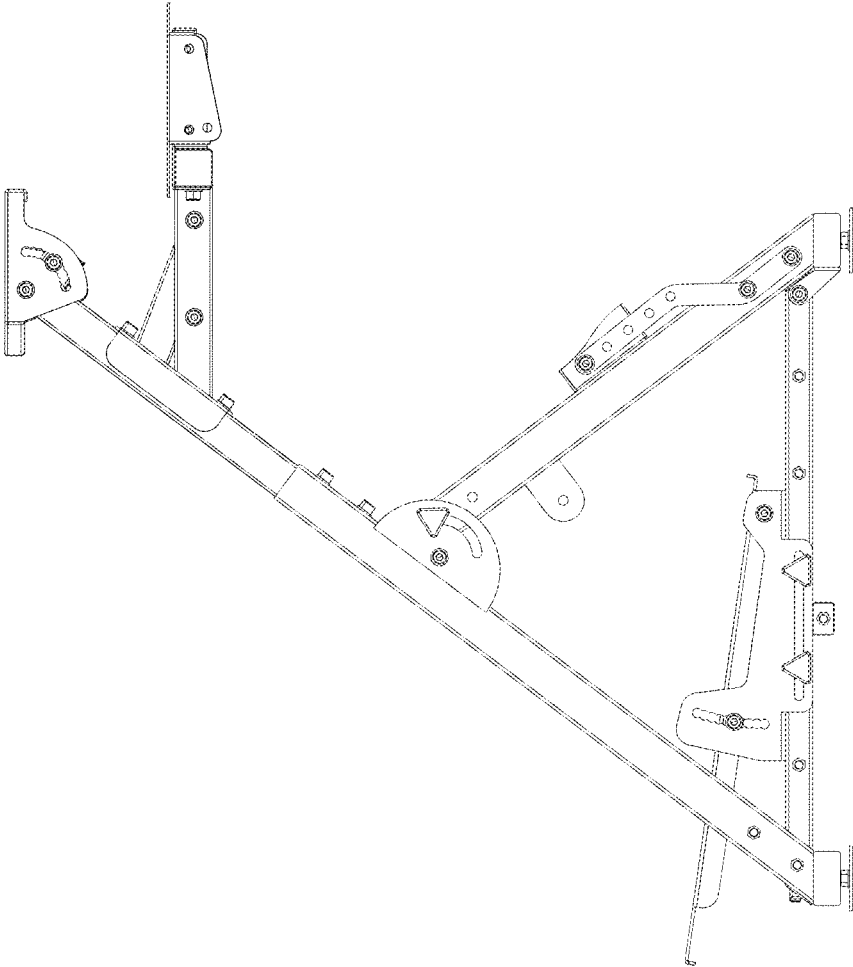


FIG. 14

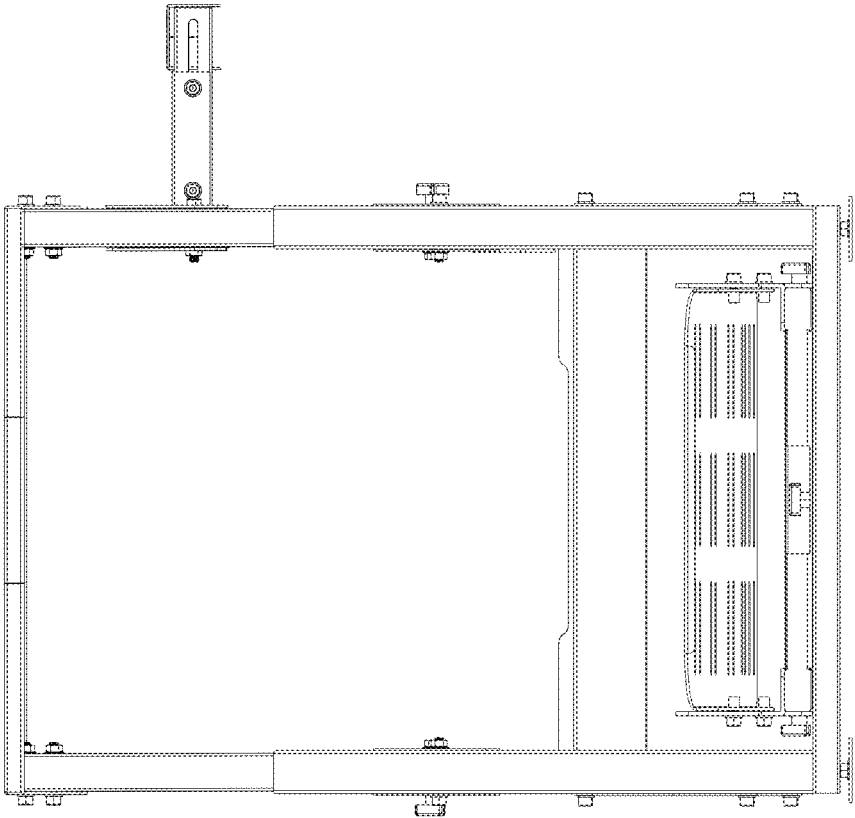


FIG. 15

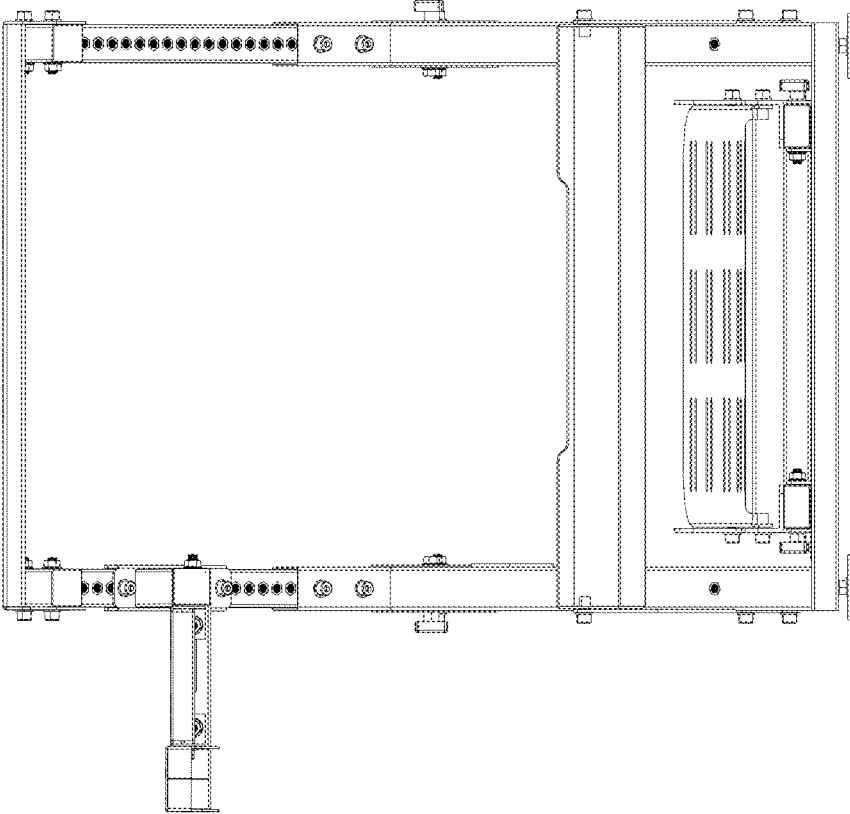


FIG. 16

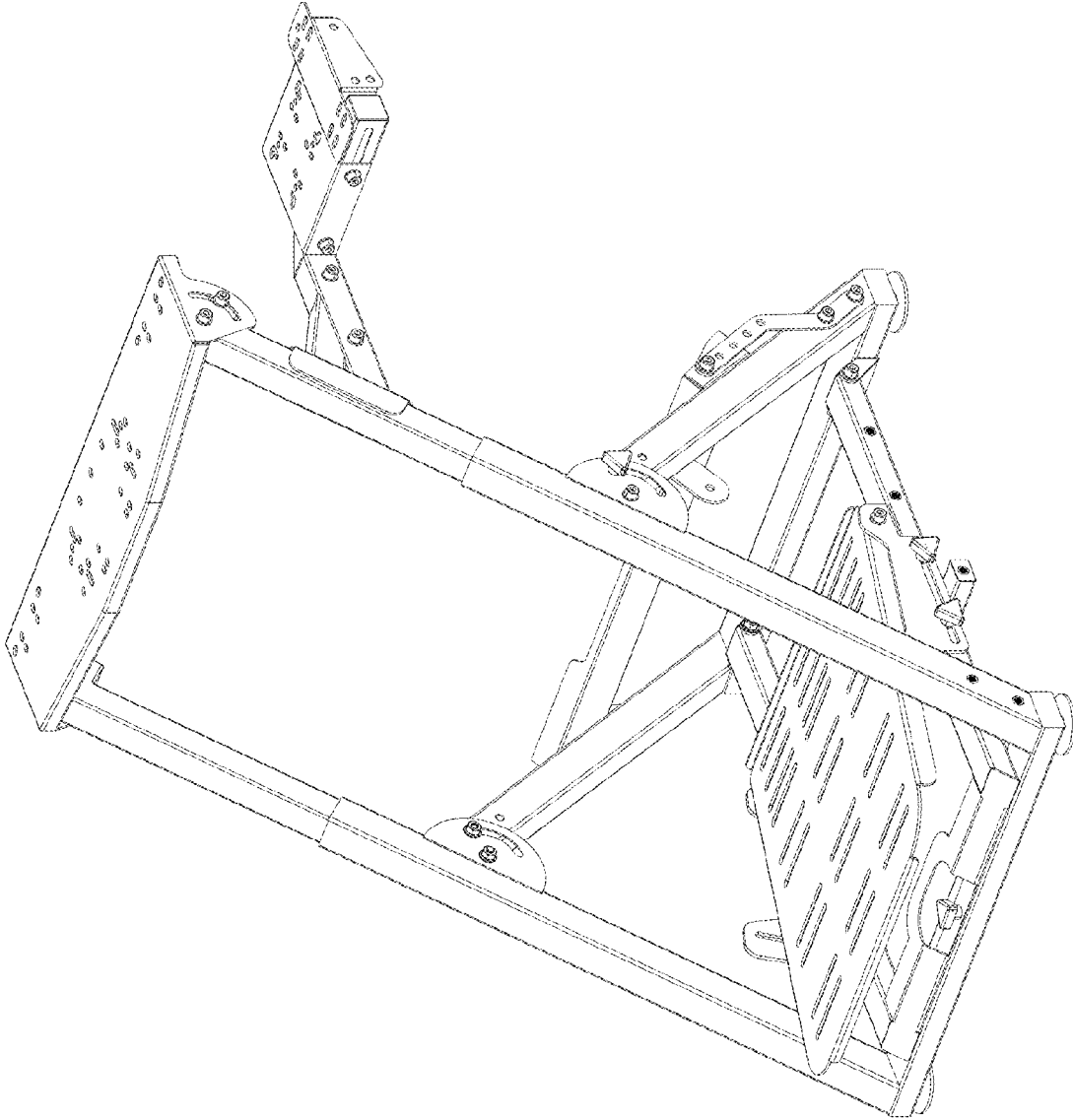


FIG. 17

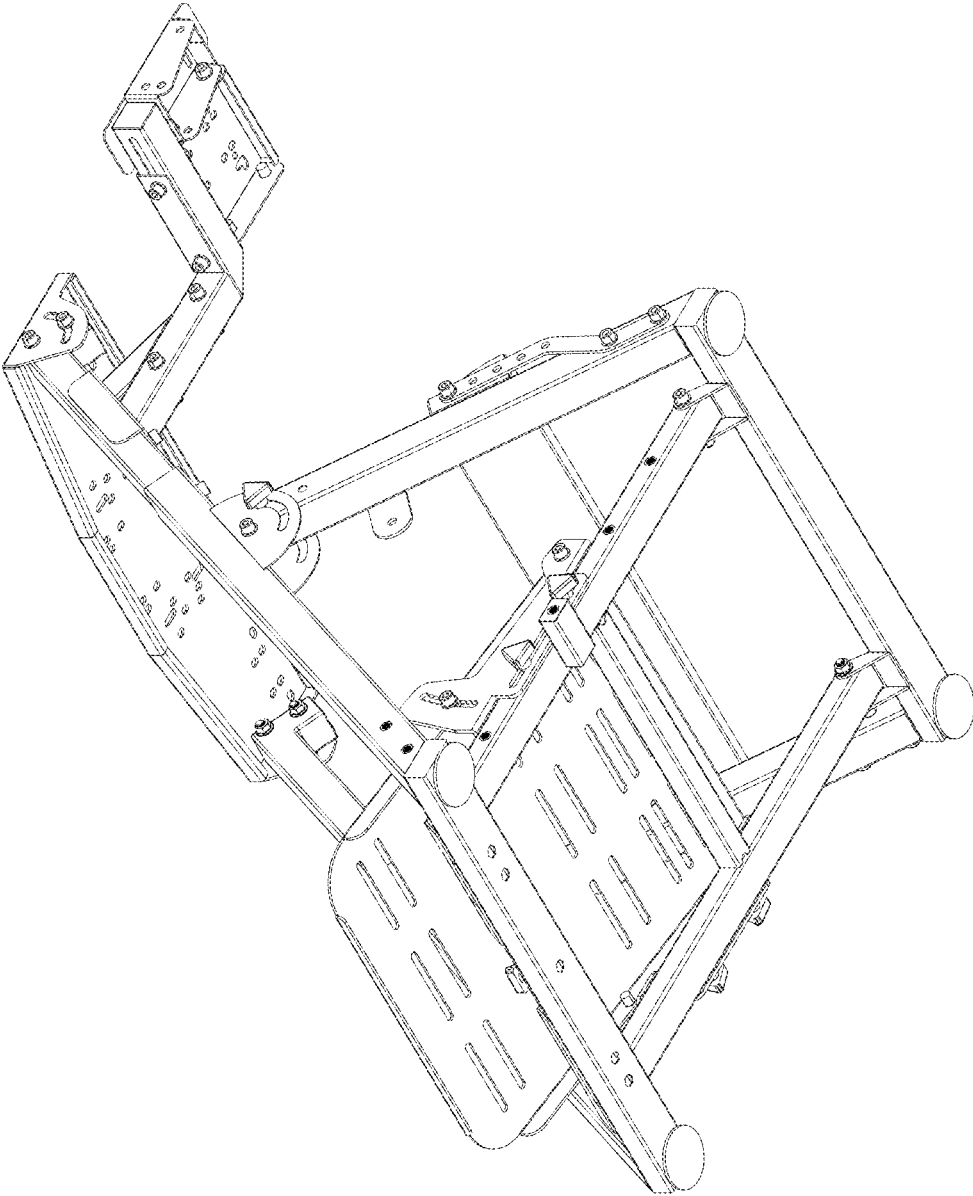


FIG. 18

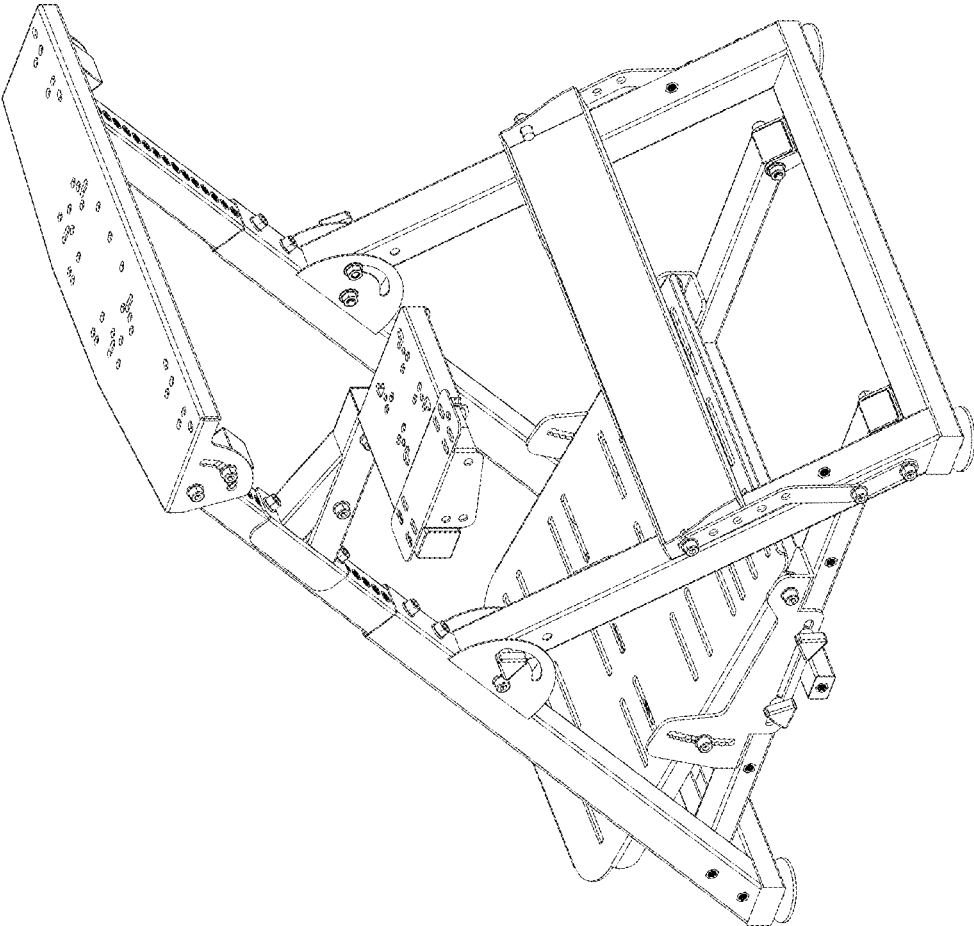


FIG. 19

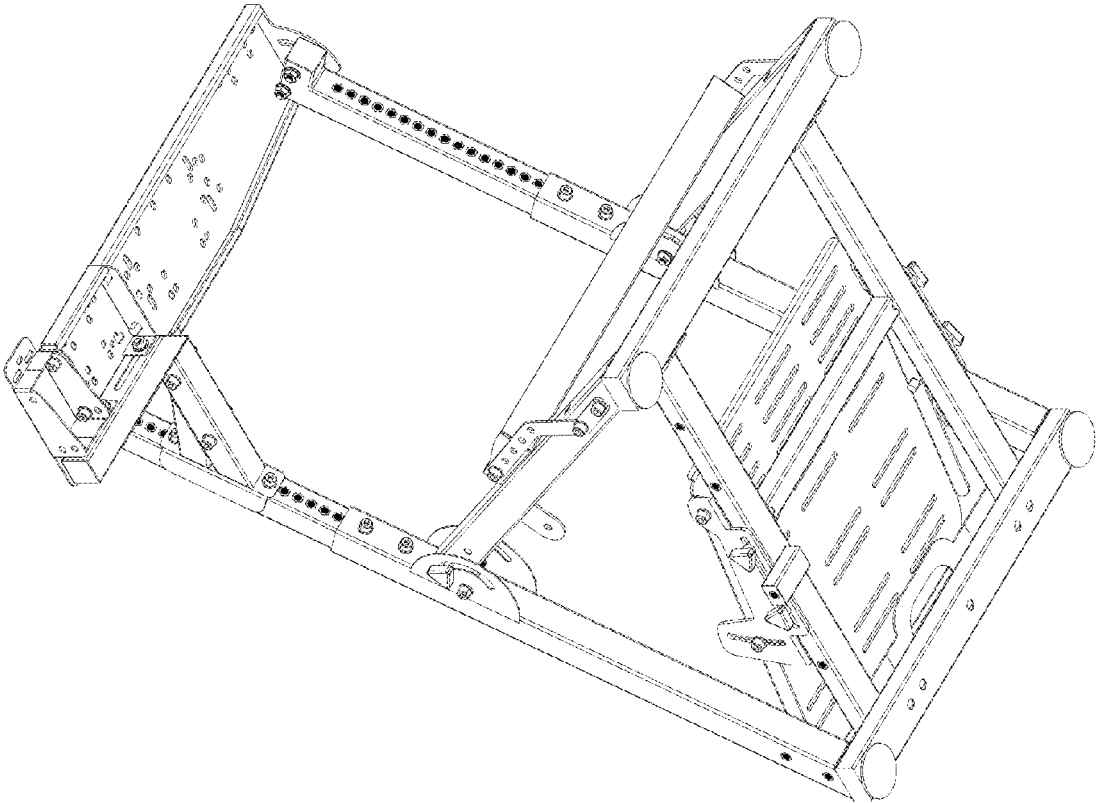


FIG. 20

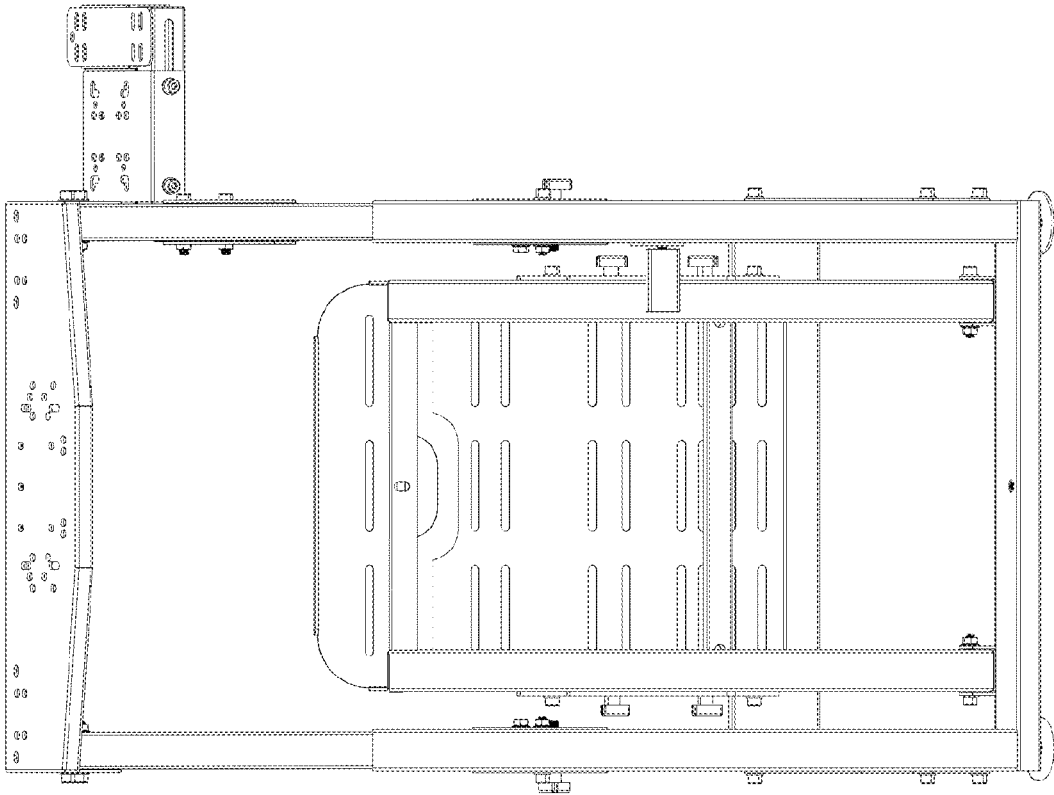


FIG. 21

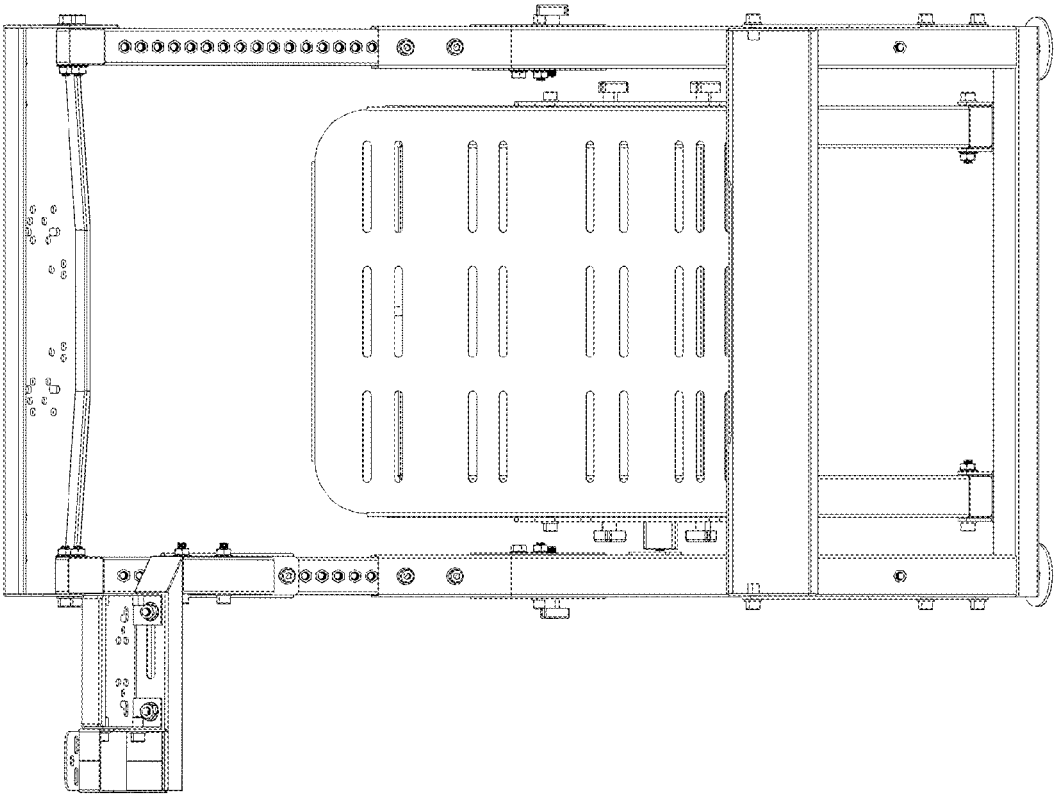


FIG. 22

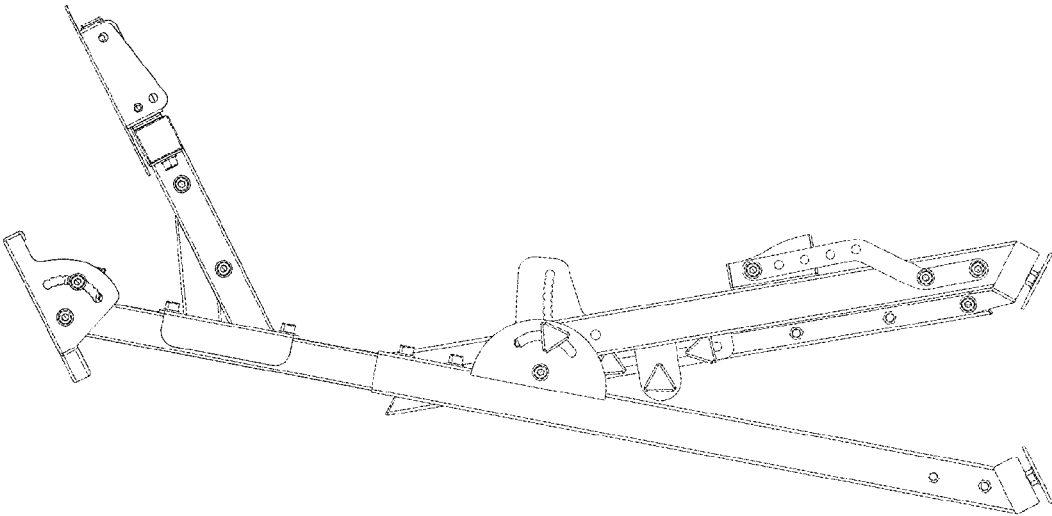


FIG. 23

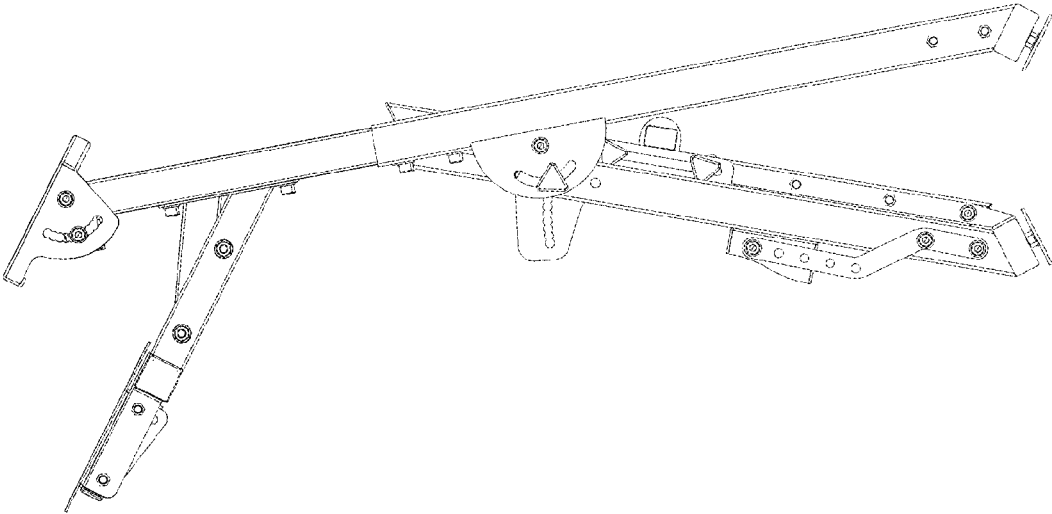


FIG. 24

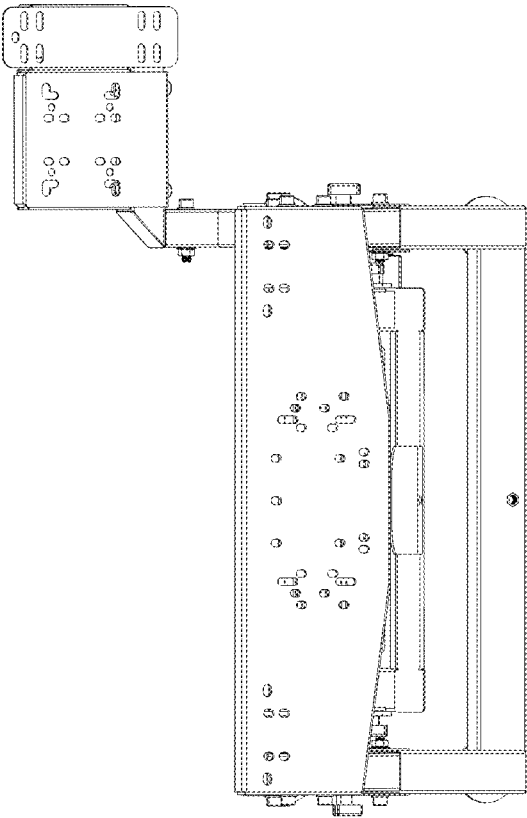


FIG. 25

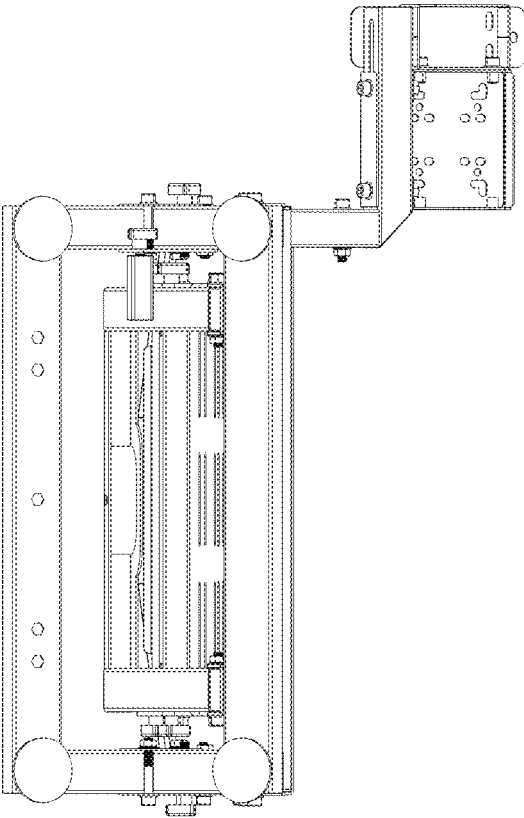


FIG. 26

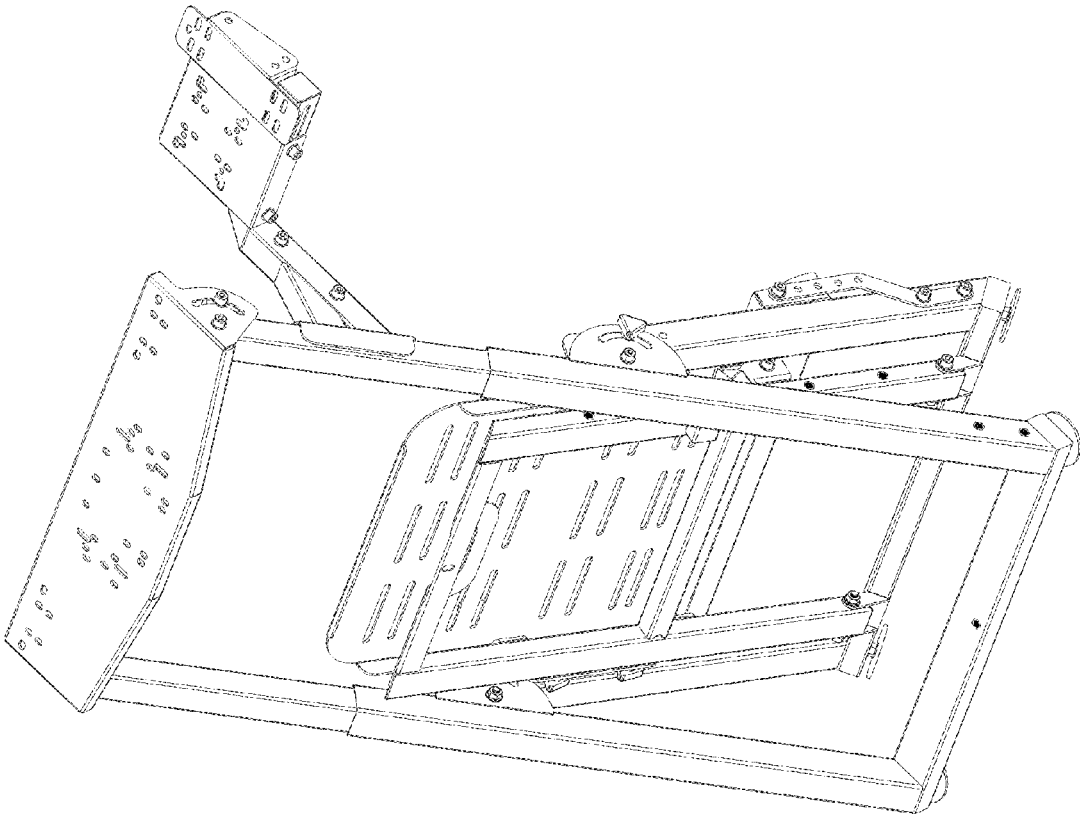


FIG. 27

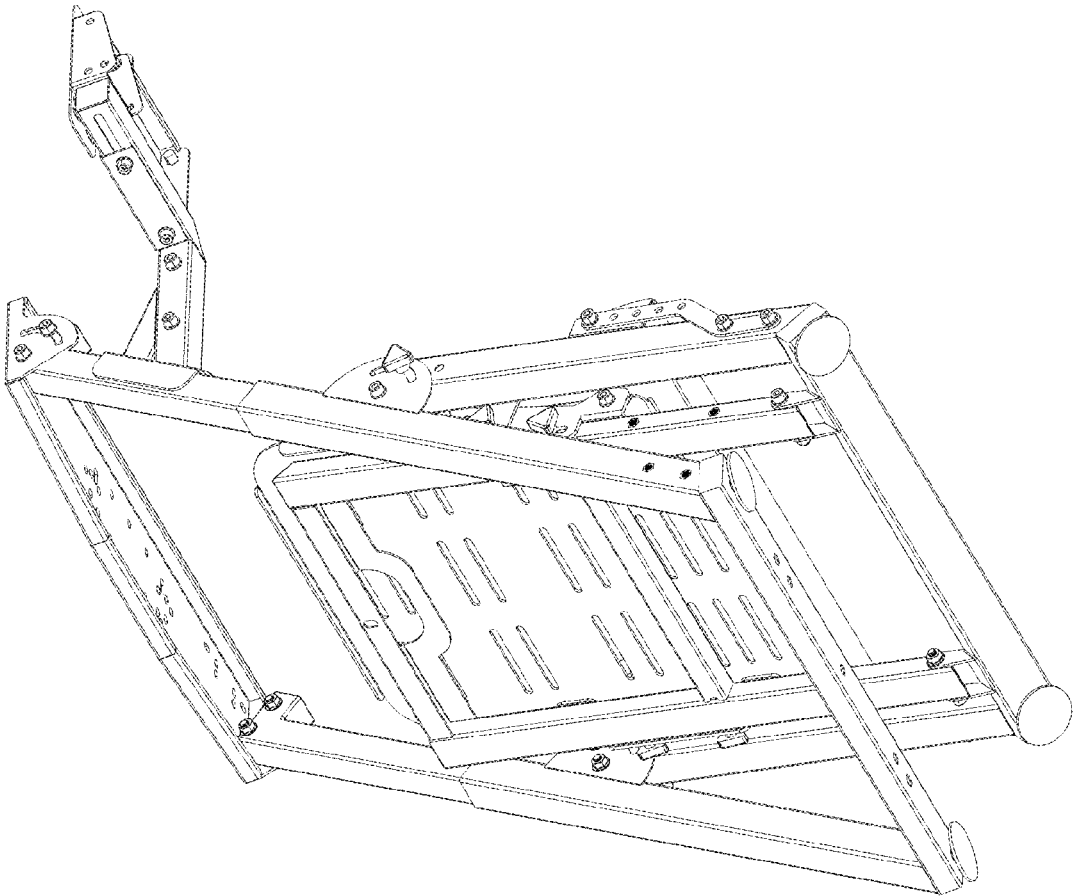


FIG. 28

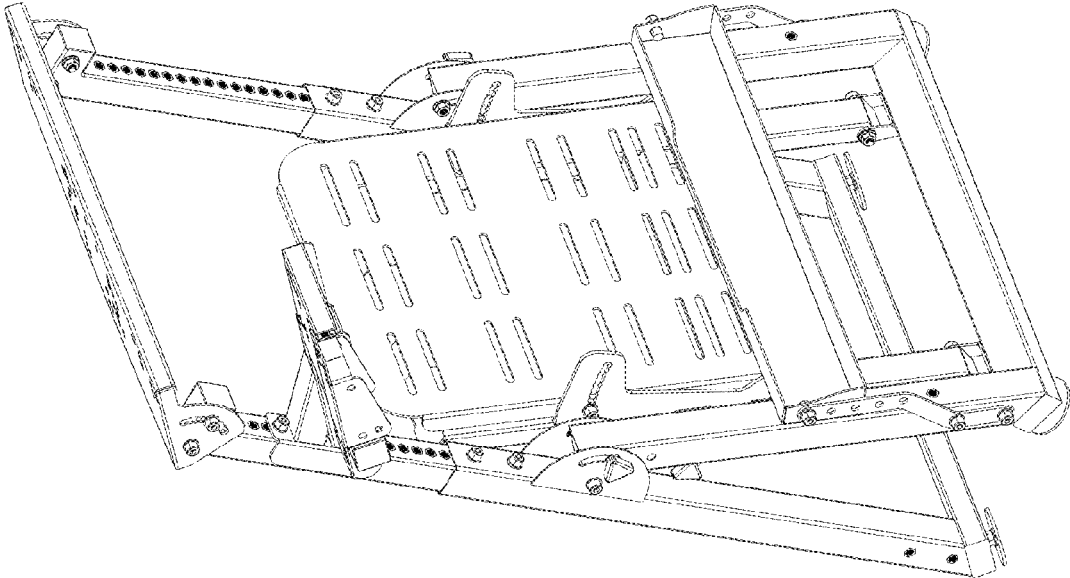


FIG. 29

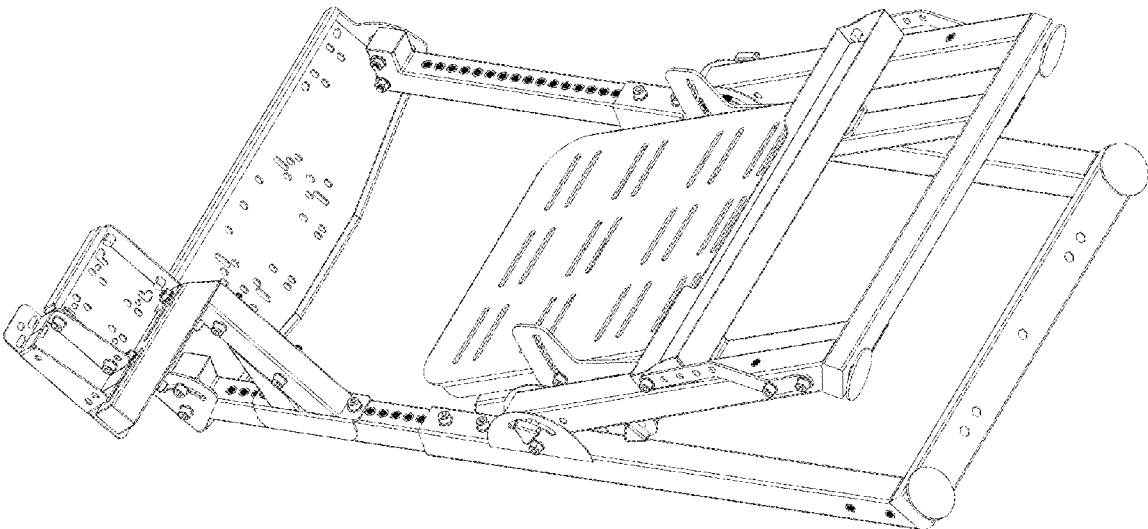


FIG. 30