

[54] COTTON PICKER  
[75] Inventors: Robert M. Fachini; Monroe C. Barrett; Jimmie L. Scallions, all of Memphis, Tenn.

[73] Assignee: International Harvester Company, Chicago, Ill.

[\*\*] Term: 14 Years

[21] Appl. No.: 853,351

[22] Filed: Nov. 21, 1977

[51] Int. Cl. .... D15-03

[52] U.S. Cl. .... D15/26

[58] Field of Search ..... D15/26; 56/28, 30-48, 56/13.1-13.3, 12.9

[56] References Cited

U.S. PATENT DOCUMENTS

D. 211,959 8/1968 Brace et al. .... D15/26

3,484,802 12/1969 Reece et al. .... 56/13.3

OTHER PUBLICATIONS

Implement & Tractor, 3/21/76, p. 17, Cotton Picker, bottom of page.

Primary Examiner—James M. Gandy  
Attorney, Agent, or Firm—Floyd B. Harman

[57] CLAIM

The ornamental design for a cotton picker, substantially as shown and described.

DESCRIPTION

FIG. 1 is a left side elevation view of a cotton picker embodying our new design;  
FIG. 2 is a front elevation view thereof;  
FIG. 3 is a top plan view thereof;  
FIG. 4 is a rear elevation view thereof; and  
FIG. 5 is a right side elevation view thereof.  
The broken lines in the drawing are for illustrative purposes only.

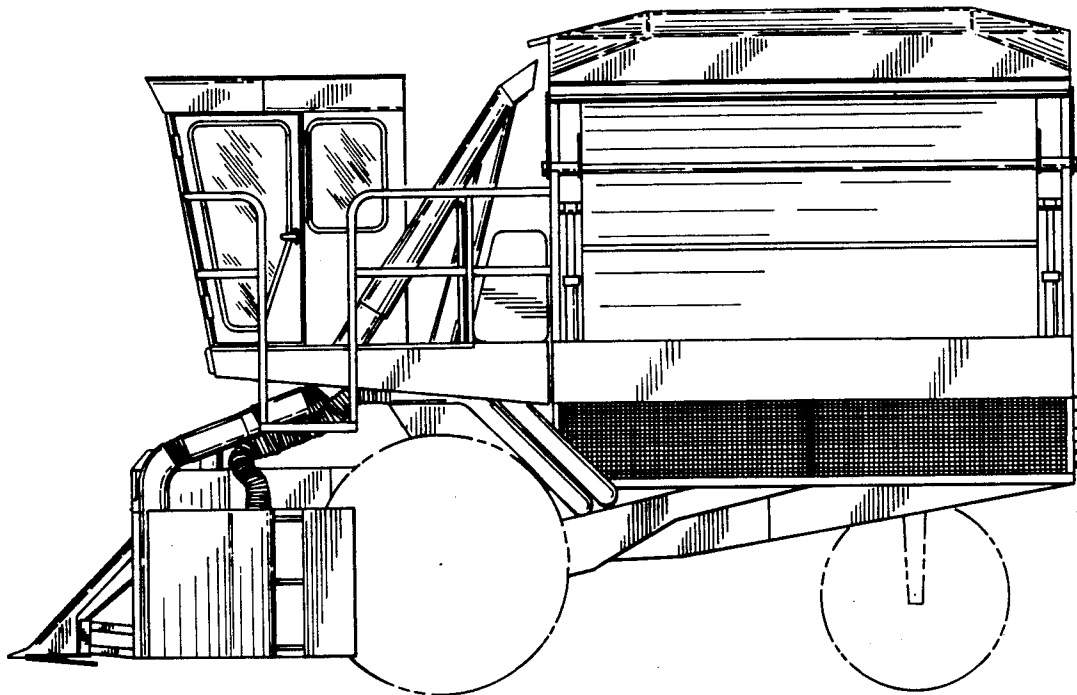


FIG. 1

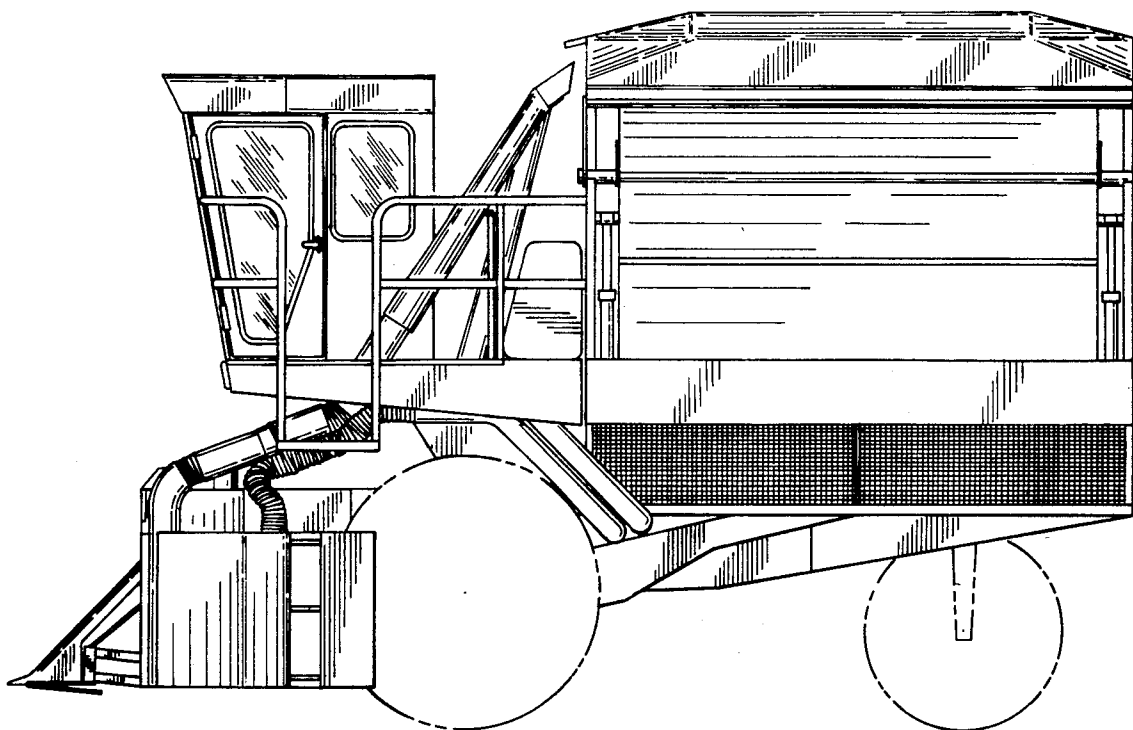


FIG. 2

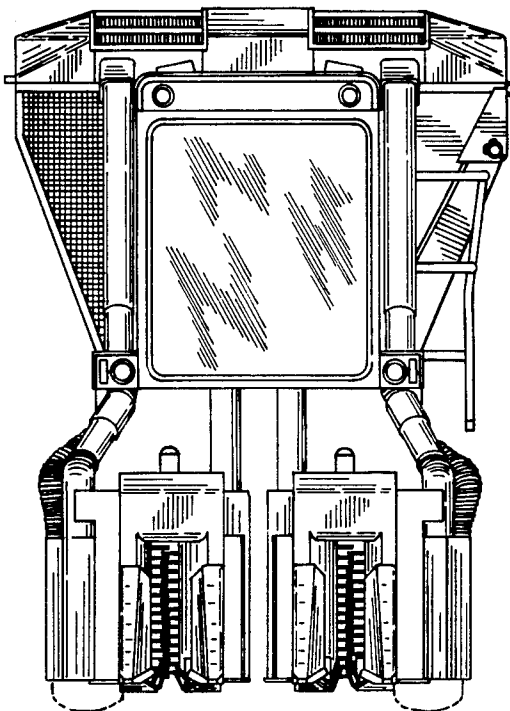


FIG-3

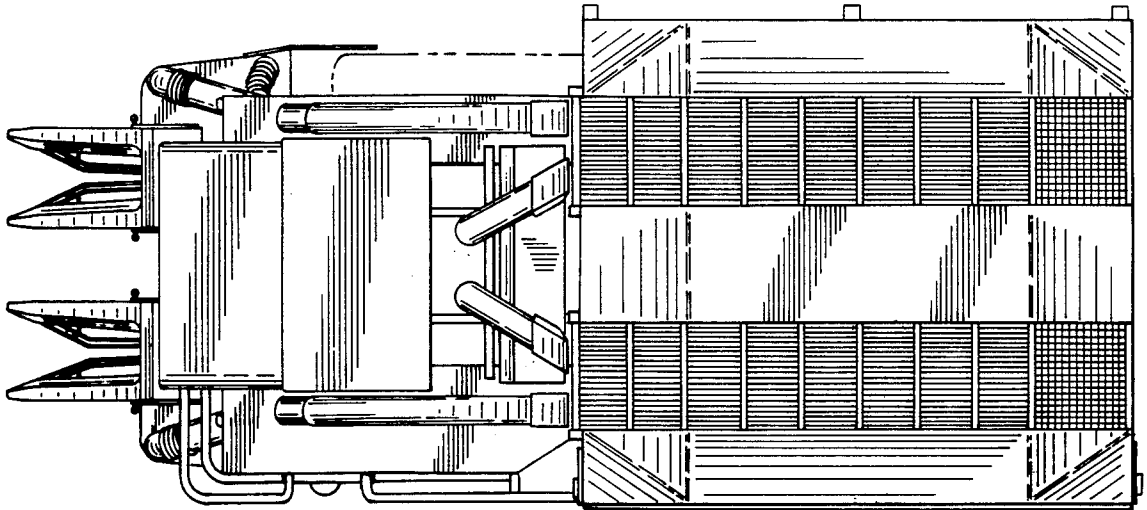


FIG-4

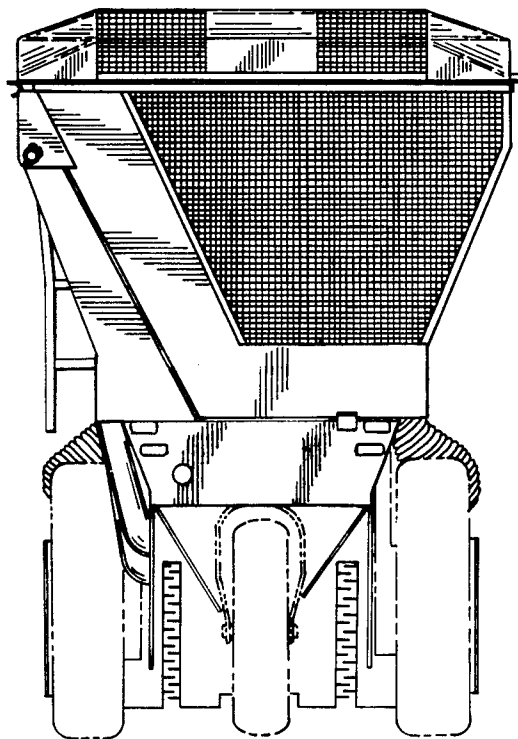


FIG-5

