



US00D985568S

(12) **United States Design Patent**
Chan et al.

(10) **Patent No.:** **US D985,568 S**
(45) **Date of Patent:** **** May 9, 2023**

- (54) **CASE FOR PORTABLE ELECTRONIC COMPUTING DEVICE**
- (71) Applicant: **Pioneer Square Brands, Inc.**, Seattle, WA (US)
- (72) Inventors: **Jaimie Emerald Chan**, Renton, WA (US); **Brian Lewis Piper**, Seattle, WA (US); **Kyle Shields**, Kirkland, WA (US)
- (73) Assignee: **Pioneer Square Brands, Inc.**, McLean, WA (US)
- (**) Term: **15 Years**
- (21) Appl. No.: **29/885,968**

D724,093 S	3/2015	Dong	
D727,915 S	4/2015	Mecchella et al.	
D755,187 S *	5/2016	Shannon, III	A45C 13/002 D14/440
D781,863 S *	3/2017	Lai	D14/440
D789,937 S	6/2017	Zhang	
D801,976 S	11/2017	Li	
D806,713 S *	1/2018	Wright	D14/440
D808,395 S	1/2018	Fenton	
D810,732 S	2/2018	Fenton et al.	
D812,620 S	3/2018	Cheng	
D816,087 S	4/2018	Fenton et al.	
D817,334 S	5/2018	Fenton et al.	
D819,038 S	5/2018	Diebel	
D831,030 S *	10/2018	Gao	D14/440
D837,796 S	1/2019	Kim et al.	
D852,201 S	1/2019	Chan et al.	
D841,012 S	2/2019	Kim et al.	

- (22) Filed: **Mar. 2, 2023**
- (51) **LOC (14) Cl.** **14-02**
- (52) **U.S. Cl.** **D14/440**
- (58) **Field of Classification Search**
USPC D14/203.3, 203.4, 203.5, 203.6, 203.7, D14/439, 447, 217, 238.1, 240, 248, 251, D14/252, 253, 250, 440; D13/103, 107, D13/108, 119; D3/201, 218, 247, 249, D3/269, 273, 301, 303
CPC A45C 11/00; A45C 1/06; A45C 13/02; A45C 2011/002; A45C 13/002; A45F 2200/0525; A45F 2005/026; A45F 2200/0516; H04M 1/0283; H04M 1/0202; H04B 1/3888
See application file for complete search history.

Primary Examiner — Carla J Wright
(74) *Attorney, Agent, or Firm* — Grandview Law

(57) **CLAIM**

The ornamental design for a case for portable electronic computing device, as shown and described.

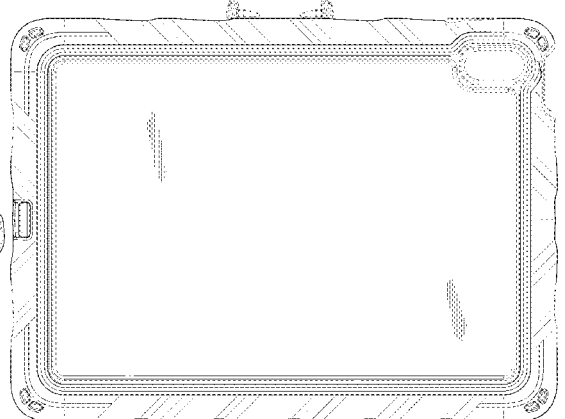
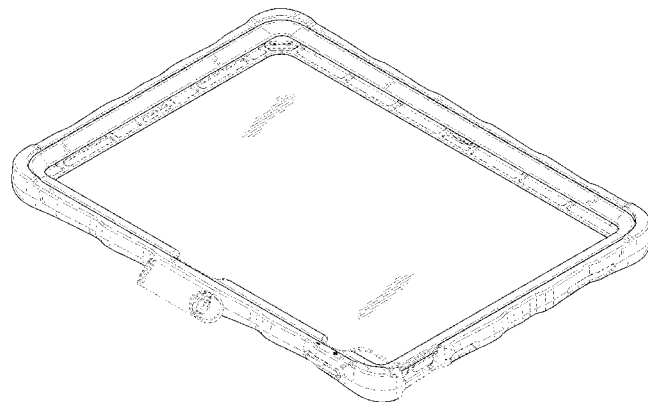
DESCRIPTION

FIG. 1 is a top perspective view of a case for portable electronic computing device showing our new design.
 FIG. 2 is a bottom perspective view thereof.
 FIG. 3 is a front elevational view thereof.
 FIG. 4 is a rear elevational view thereof.
 FIG. 5 is a right elevational view thereof.
 FIG. 6 is a left elevational view thereof.
 FIG. 7 is a top plan view thereof; and,
 FIG. 8 is a bottom plan view thereof.

The broken lines in the drawing figures form no part of the claimed design and depict portions of the case for portable electronic computing device that form no part of the claimed design.

1 Claim, 8 Drawing Sheets

- (56) **References Cited**
U.S. PATENT DOCUMENTS
D681,641 S 5/2013 Van Den Nieuwenhuizen et al.
D701,211 S * 3/2014 Ng D14/440
D706,272 S * 6/2014 Poon D14/440
D721,080 S 1/2015 Mecchella et al.



(56)

References Cited

U.S. PATENT DOCUMENTS

D841,013 S	2/2019	Ferren et al.		D932,493 S	10/2021	Xiong	
D841,655 S *	2/2019	Xie	D14/440	D933,074 S	10/2021	Hu	
D861,698 S	2/2019	Fenton et al.		D933,665 S *	10/2021	Ke	D14/440
D844,611 S	4/2019	Ferren et al.		D934,262 S	10/2021	Manzano et al.	
D844,621 S *	4/2019	Chen	D14/440	11,139,850 B2 *	10/2021	Nyholm	H04M 1/21
D847,817 S *	5/2019	Cheng	D14/440	D935,468 S *	11/2021	Li	D14/440
D848,441 S	5/2019	Ferren et al.		D940,145 S	1/2022	Zhang	
D850,454 S	6/2019	Kim et al.		D943,591 S	2/2022	Zhu	
D852,199 S	6/2019	Kim et al.		D943,593 S	2/2022	Piper	
D852,200 S	6/2019	Chan et al.		D947,197 S *	3/2022	Cheng	D14/440
D863,314 S	7/2019	Chan et al.		D941,823 S	6/2022	Hu	
D863,315 S	7/2019	Chan et al.		D963,654 S	9/2022	Yan	
D864,210 S	7/2019	Chan et al.		D964,994 S	9/2022	Chan et al.	
10,355,735 B2 *	7/2019	Ranjeva	H04B 1/3888	D964,995 S	9/2022	Troedson et al.	
D863,316 S	9/2019	Chan et al.		D964,996 S	9/2022	Piper	
D862,480 S	10/2019	Chan et al.		D964,997 S	9/2022	Chan	
D863,317 S	10/2019	Piper et al.		D964,998 S	9/2022	Troedson et al.	
D868,788 S	12/2019	Weng		D965,599 S	10/2022	Piper	
D874,467 S	2/2020	Piper et al.		D966,272 S	10/2022	Chan	
D877,509 S	3/2020	Kilkenny		D966,273 S	10/2022	Chan et al.	
D881,895 S	4/2020	Liu		D967,112 S	10/2022	Troedson et al.	
D887,415 S	6/2020	Claudepierre et al.		D967,114 S	10/2022	Piper	
D888,063 S	6/2020	Chan et al.		D967,828 S	10/2022	Cheng	
D888,720 S	6/2020	Moore		D967,830 S	10/2022	Cheng	
10,700,483 B1 *	6/2020	Piper	G06F 1/1632	D969,134 S	11/2022	Chan	
D892,806 S	8/2020	Manzano et al.		D970,510 S	11/2022	Cheng	
D895,630 S	9/2020	Piper et al.		D971,221 S	11/2022	Chan et al.	
D900,828 S *	11/2020	Chen	D14/440	D971,924 S	12/2022	Zhou	
D902,215 S	11/2020	Quan		D972,574 S	12/2022	Li	
D902,934 S	11/2020	Manzano et al.		D973,058 S	12/2022	Li	
D908,132 S *	1/2021	Poon	D14/440	D973,666 S	12/2022	Ma	
D908,708 S	1/2021	Miller et al.		D973,667 S	12/2022	Ma	
D913,295 S	3/2021	Piper et al.		D976,914 S	1/2023	Huang	
D920,337 S	5/2021	Chan et al.		D978,154 S	2/2023	Gao	
D920,983 S	6/2021	Chan et al.		D978,864 S	2/2023	Long	
D922,392 S	6/2021	Chan et al.		D978,868 S	2/2023	Gao	
D924,877 S *	7/2021	Weng	D14/440	11,602,206 B1 *	3/2023	Troedson	A45C 11/00
D926,194 S	7/2021	Piper et al.		2018/0017991 A1 *	1/2018	Roberts	H04B 1/3888
D930,002 S	9/2021	Zhou		2019/0227595 A1 *	7/2019	Ferren	G06F 1/1628
				2021/0050875 A1 *	2/2021	Poon	H04M 1/04

* cited by examiner

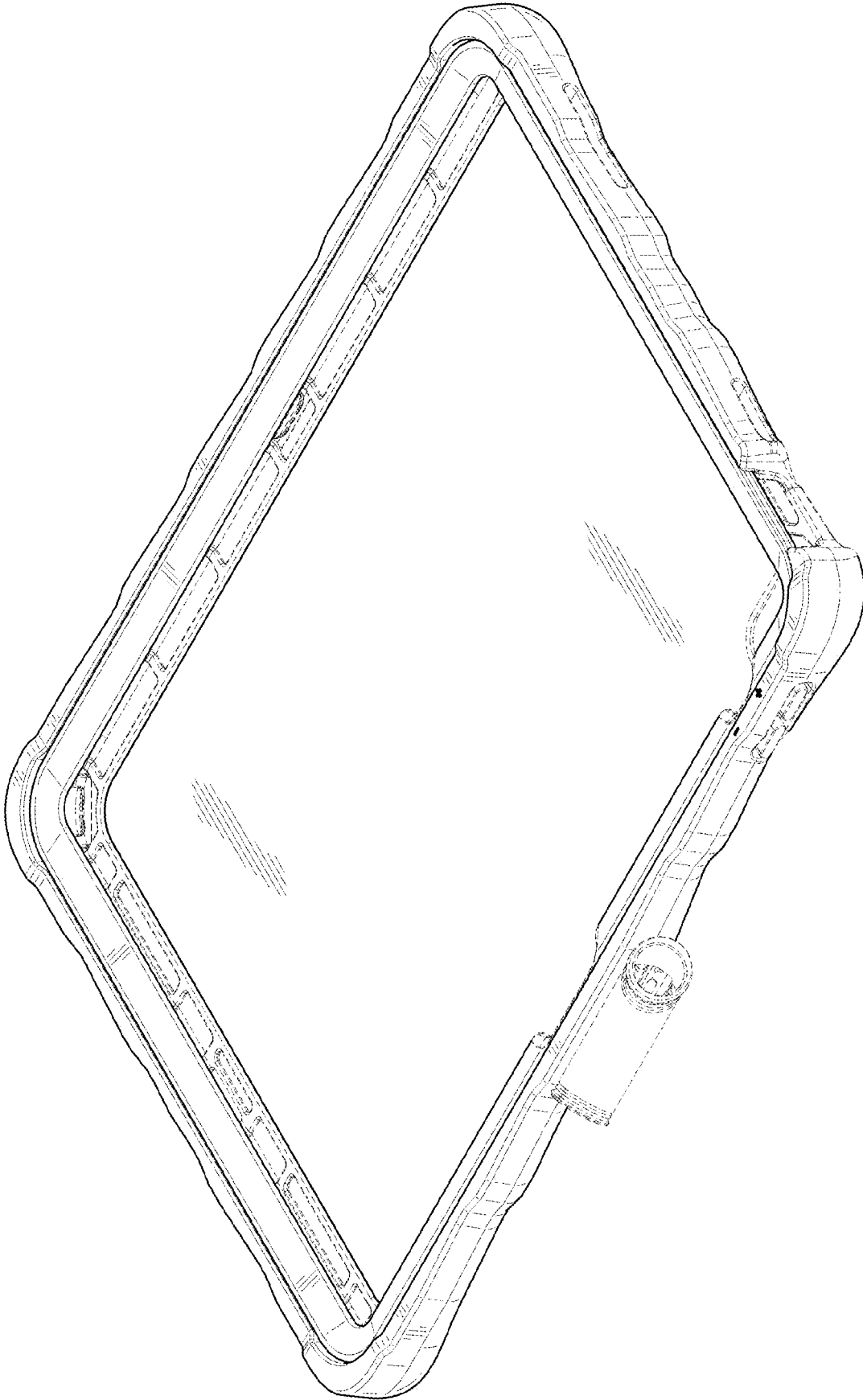


FIG. 1

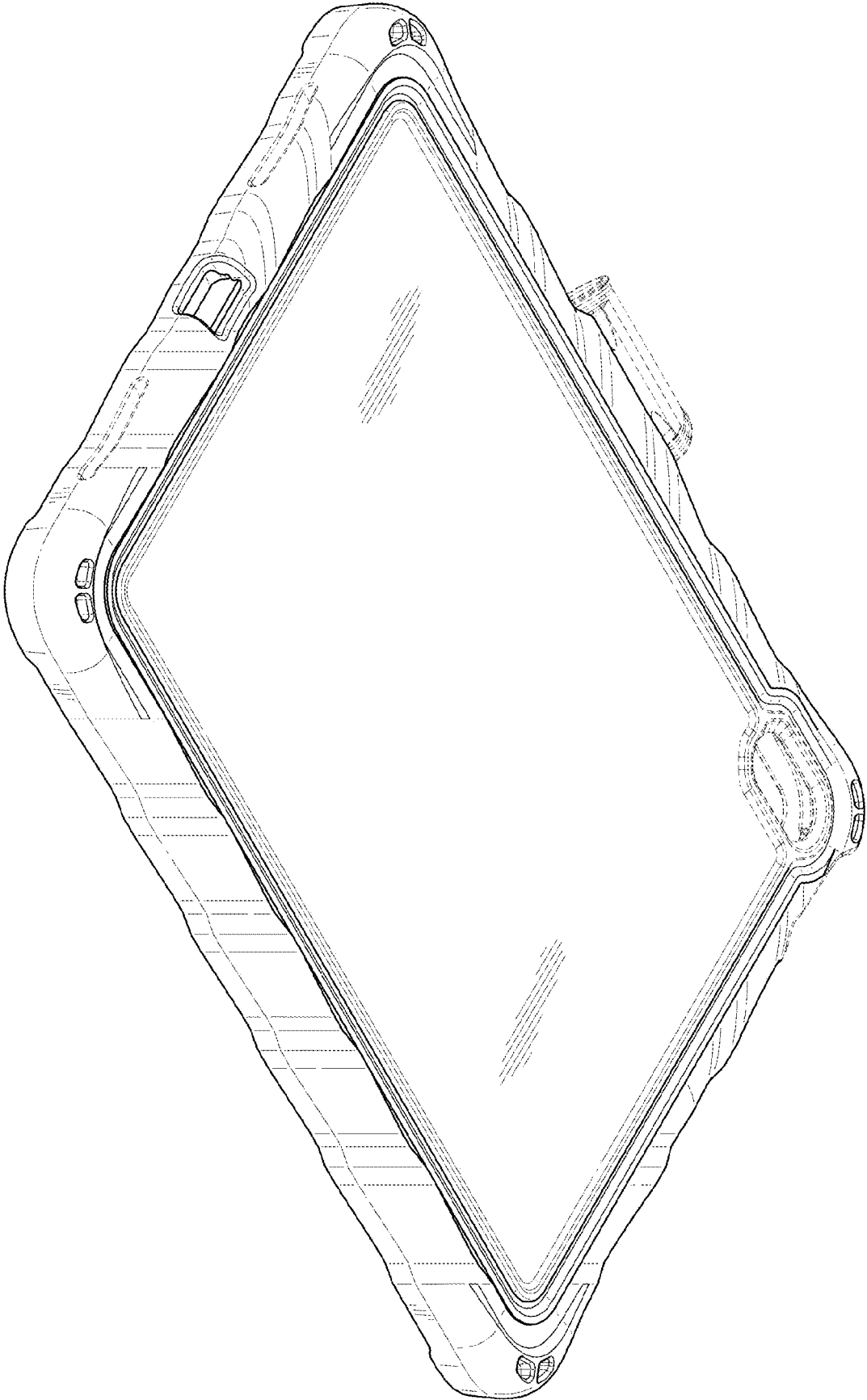


FIG. 2

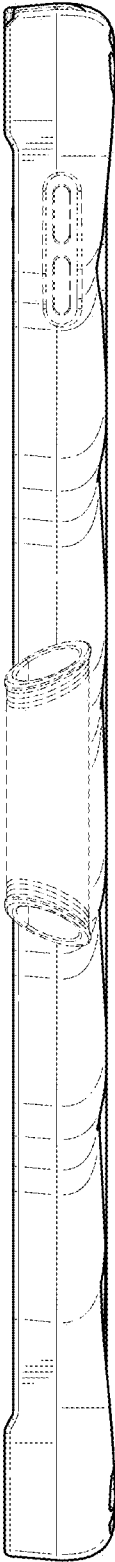


FIG. 3

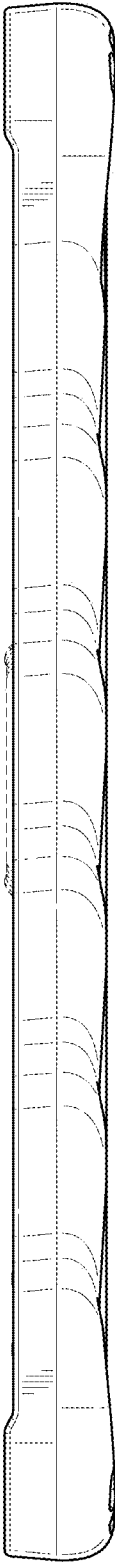


FIG. 4

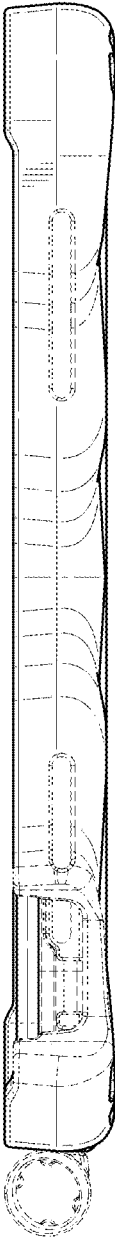


FIG. 5

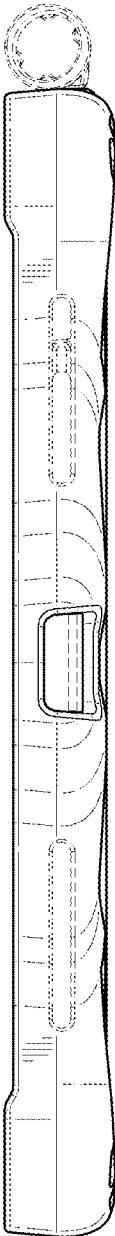


FIG. 6

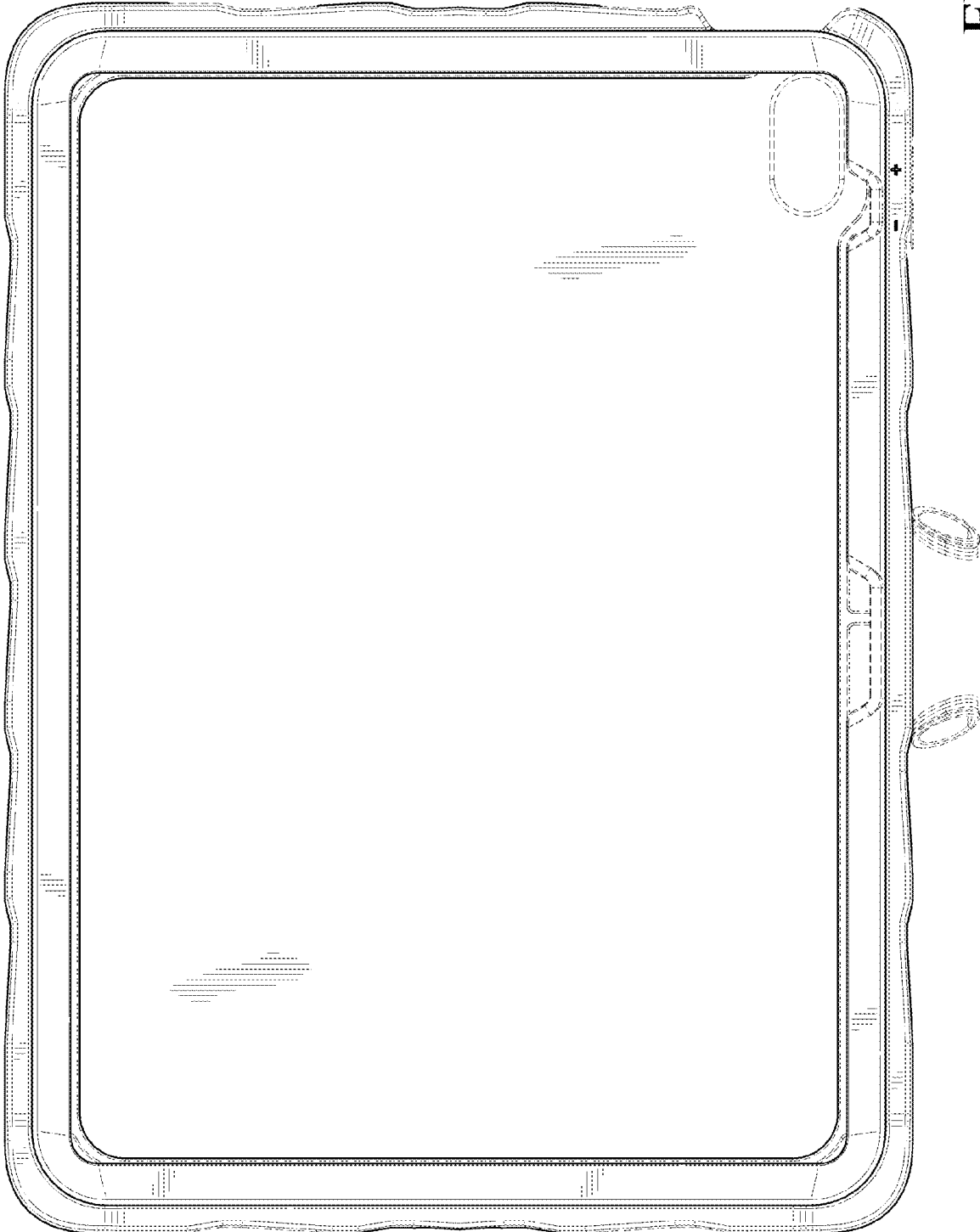


FIG. 7

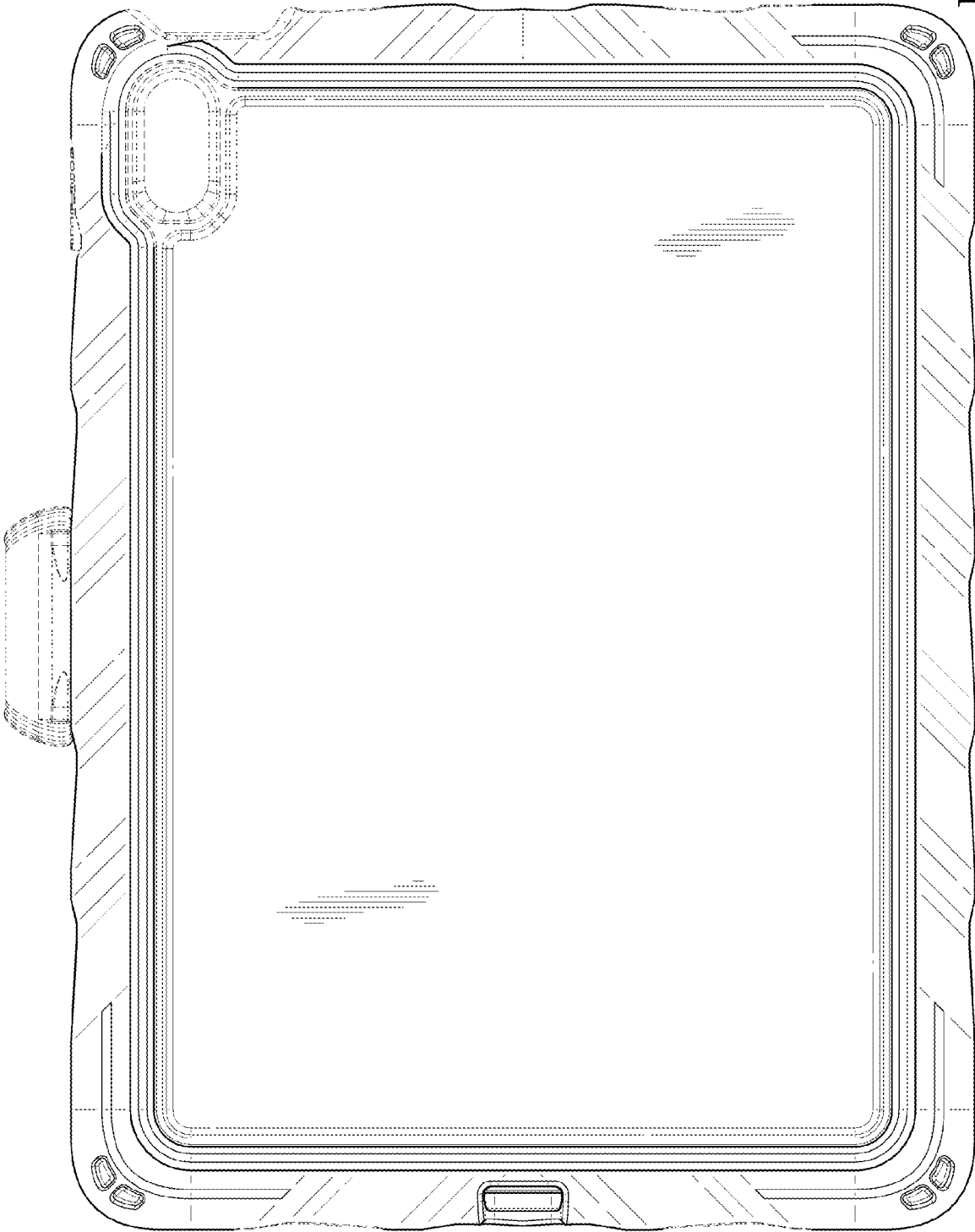


FIG. 8