



US00D937809S

(12) **United States Design Patent**
Levine et al.

(10) **Patent No.:** **US D937,809 S**
(45) **Date of Patent:** **** Dec. 7, 2021**

- (54) **SPEAKER**
- (71) Applicant: **New Audio LLC**, New York, NY (US)
- (72) Inventors: **Jonathan E. Levine**, New York, NY (US); **Drew Stone Briggs**, Seattle, WA (US); **Thomas C. Wilson**, Brooklyn, NY (US); **David Adjaye**, London (GB)
- (73) Assignee: **New Audio, LLC**, New York, NY (US)
- (**) Term: **15 Years**
- (21) Appl. No.: **29/765,538**
- (22) Filed: **Jan. 8, 2021**

5,438,626 A	8/1995	Neuman et al.
D379,989 S	6/1997	Skene et al.
D410,466 S	6/1999	Mouri et al.
D450,050 S	11/2001	Marcum et al.
D467,897 S	12/2002	Lin
D476,640 S	7/2003	Harris et al.
D483,739 S	12/2003	Olson et al.
D514,090 S	1/2006	Carbone et al.
D514,091 S	1/2006	Sube
D524,796 S	7/2006	Chan
D532,771 S	11/2006	Motoishi
D546,348 S	7/2007	Yuyama
D622,262 S	8/2010	Ou
8,325,962 B2	12/2012	Ishida et al.
8,737,668 B1	5/2014	Blair et al.
D727,280 S	4/2015	Levine
D727,281 S	4/2015	Levine
D733,692 S	7/2015	Wu et al.
D736,174 S	8/2015	Levine
D736,175 S	8/2015	Levine
D741,842 S	10/2015	Levine

(Continued)

Related U.S. Application Data

- (63) Continuation of application No. 29/704,067, filed on Aug. 30, 2019, now abandoned, which is a continuation of application No. 29/599,322, filed on Mar. 31, 2017, now abandoned.

- (51) **LOC (13) Cl.** **14-01**
- (52) **U.S. Cl.**
USPC **D14/214**

- (58) **Field of Classification Search**
USPC D14/167, 168, 170–172, 188, 204, 209.1, D14/210–216, 219, 221, 222, 224
CPC G06F 1/1688; H04R 1/02; H04R 1/025; H04R 1/026; H04R 1/323; H04R 1/403; H04R 1/2803; H04R 1/2834; H04R 5/02; H04R 9/06; H04R 2201/021; H04R 2400/00; H04R 2400/07; H04R 2499/11
See application file for complete search history.

(56) **References Cited**

U.S. PATENT DOCUMENTS

3,922,725 A	12/1975	Csiki
5,035,005 A	7/1991	Hung

Primary Examiner — Keli L Hill

(74) *Attorney, Agent, or Firm* — Holzer Patel Drennan

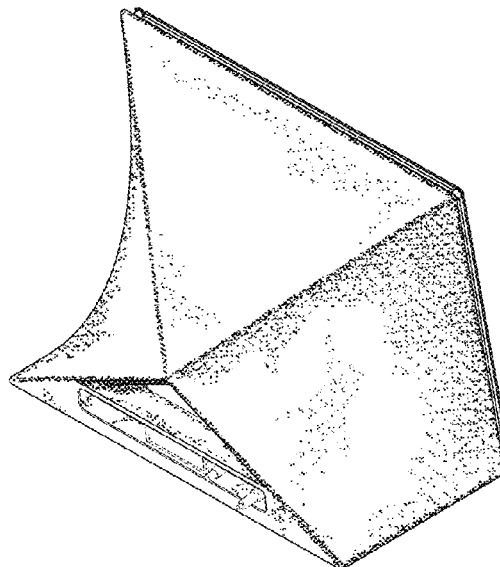
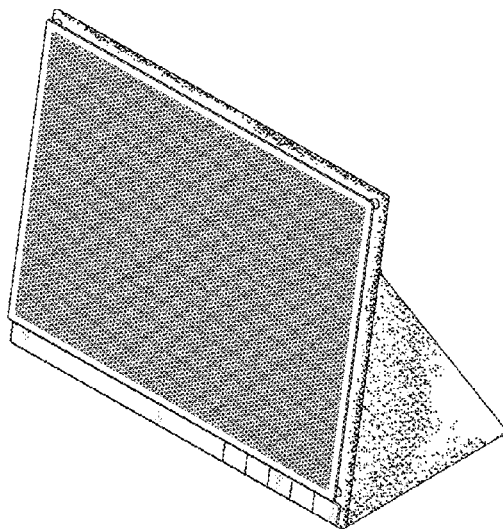
(57) **CLAIM**

The ornamental design for a speaker, as shown and described.

DESCRIPTION

FIG. 1 is a top, front perspective view of a speaker showing our new design.
 FIG. 2 is a top, back perspective view thereof.
 FIG. 3 is a front elevational view thereof.
 FIG. 4 is a back elevational view thereof.
 FIG. 5 is a top plan view thereof.
 FIG. 6 is a bottom plan view thereof.
 FIG. 7 is a side elevational view thereof; and,
 FIG. 8 is an opposite side elevational view thereof.
 The broken lines in the figures illustrate the portions of the design that form no part of the claimed design.

1 Claim, 4 Drawing Sheets



(56)

References Cited

U.S. PATENT DOCUMENTS

D762,190	S	7/2016	Levine	
D762,191	S	7/2016	Levine	
D772,841	S	11/2016	Levine	
D780,155	S	2/2017	Levine et al.	
D781,265	S	3/2017	Levine et al.	
D781,814	S	3/2017	Levine	
9,729,954	B2	8/2017	Levine et al.	
D805,056	S	12/2017	Levine	
D806,066	S	* 12/2017	McWilliam D14/314
D810,055	S	2/2018	Levine	
D812,588	S	3/2018	Levine	
D818,987	S	* 5/2018	Sun D14/204
D850,430	S	* 6/2019	Wu D14/240
D856,410	S	* 8/2019	Lee D18/4.4
D902,879	S	* 11/2020	Balch D14/149
D911,308	S	* 2/2021	Huang D14/214
D928,735	S	* 8/2021	Yoo D14/209.1
D928,736	S	* 8/2021	Weng D14/214
2008/0056525	A1	3/2008	Fujiwara et al.	
2010/0177907	A1	7/2010	Morisawa	
2012/0070028	A1	3/2012	Margulies	
2017/0041696	A1	2/2017	Levine et al.	
2017/0041697	A1	2/2017	Levine et al.	
2017/0134845	A1	5/2017	Milam et al.	
2017/0339479	A1	11/2017	Levine	
2018/0020277	A1	1/2018	Briggs	
2018/0020278	A1	1/2018	Levine et al.	

* cited by examiner

Fig. 1

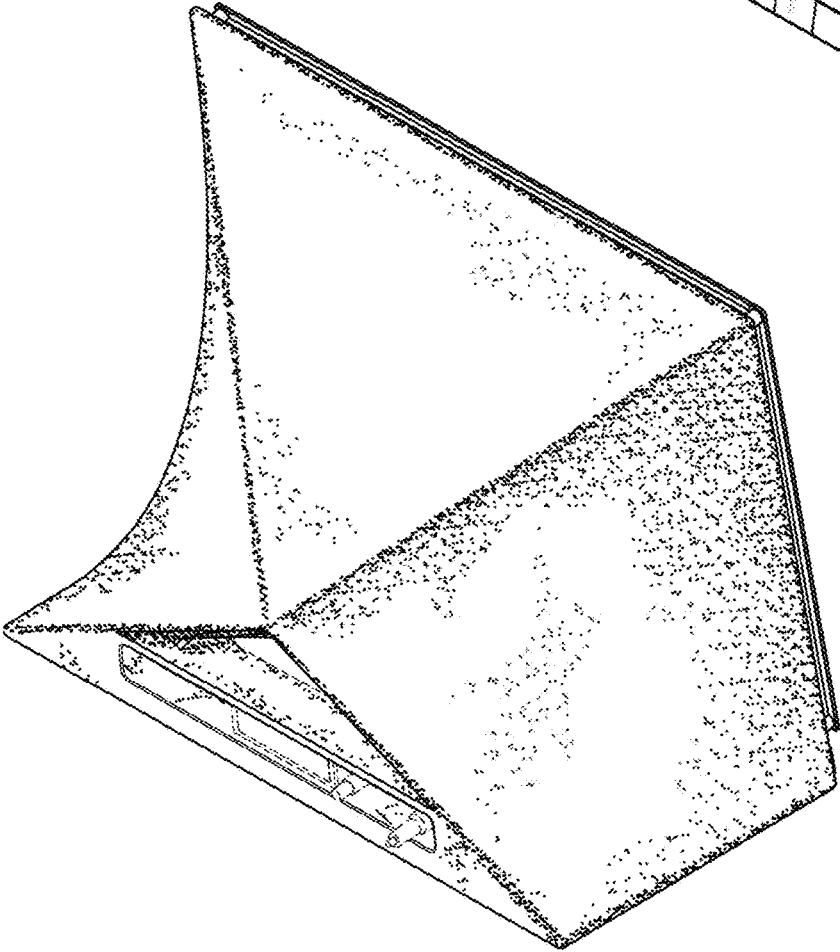
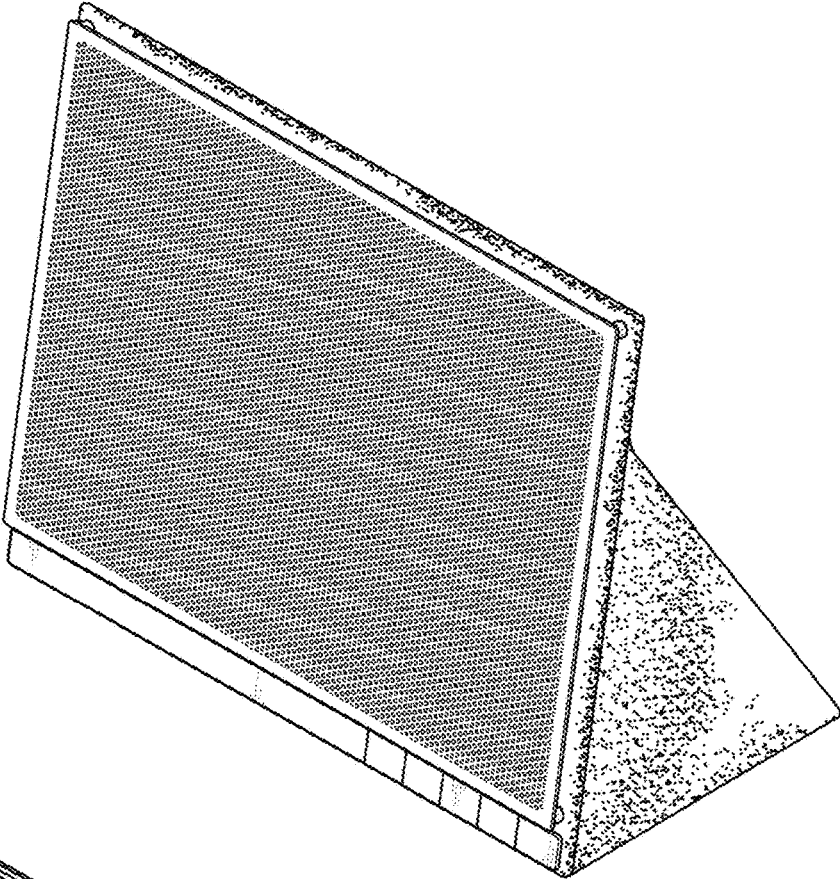


Fig. 2

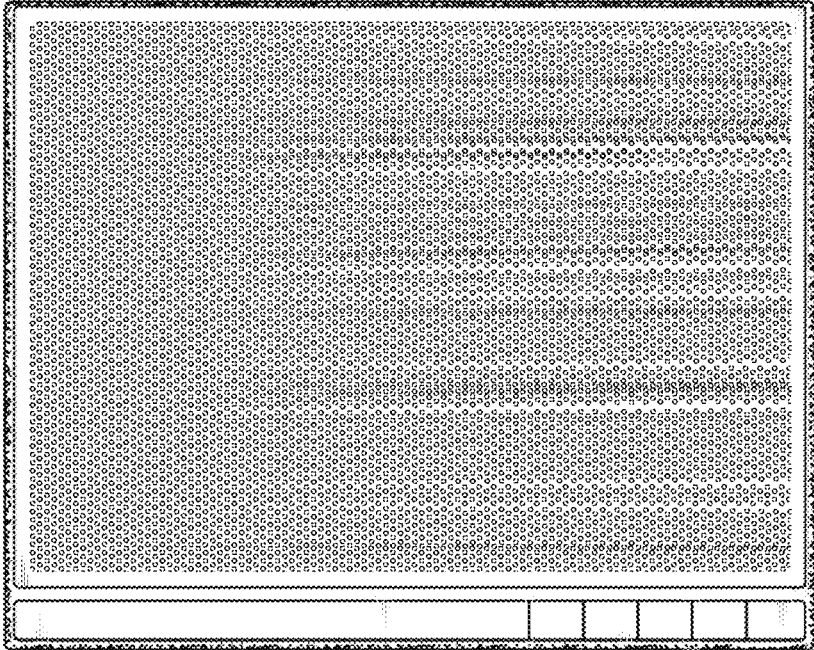


Fig. 3

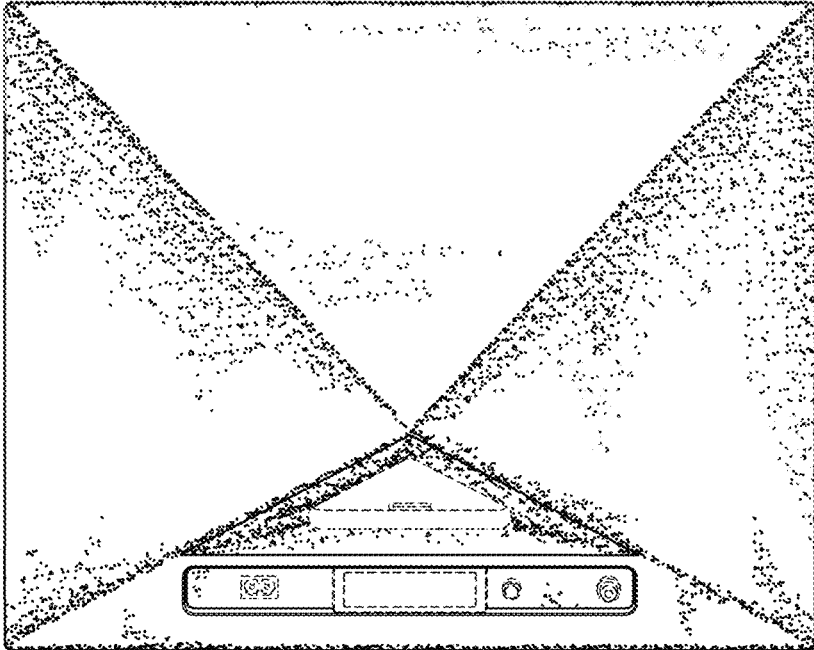


Fig. 4

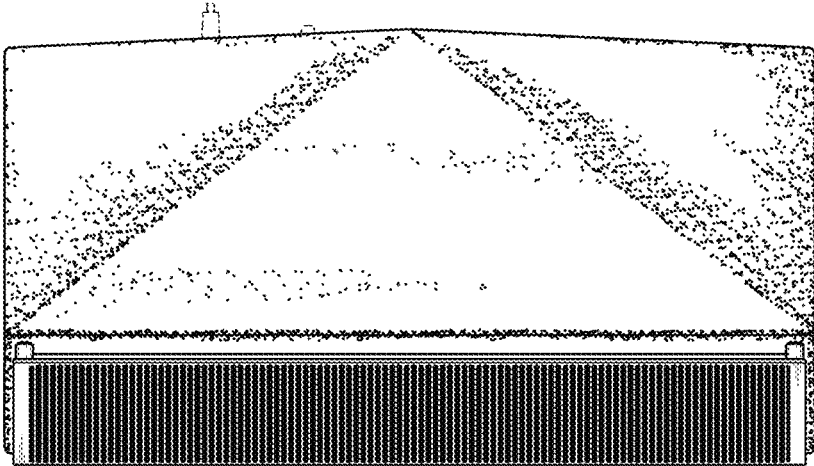


Fig. 5

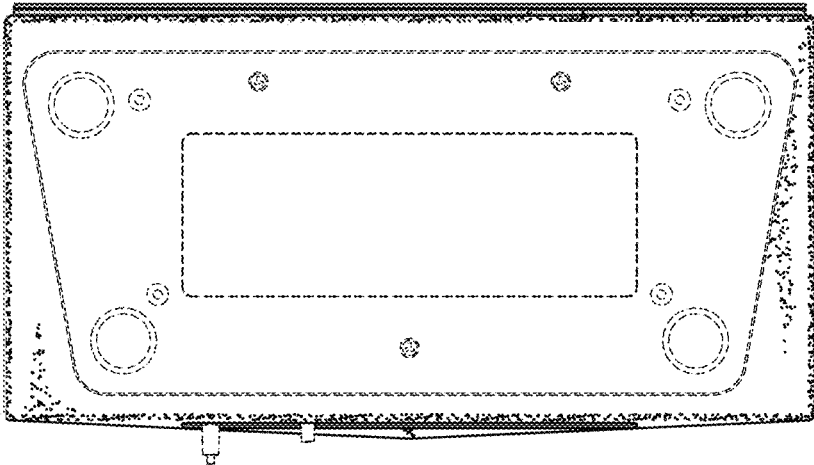


Fig. 6

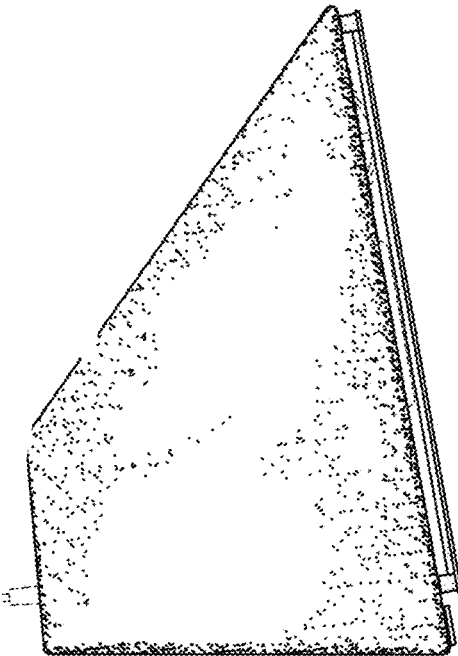


Fig. 7

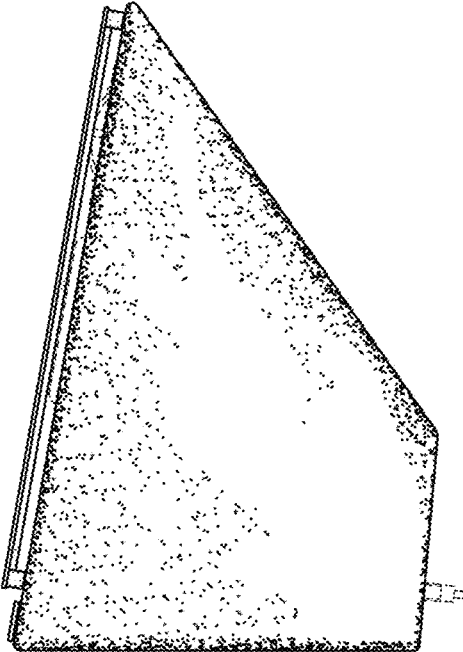


Fig. 8