



US00D812577S

(12) **United States Design Patent**
Turksu et al.

(10) **Patent No.:** **US D812,577 S**

(45) **Date of Patent:** **** *Mar. 13, 2018**

(54) **WIRELESS CONTROL BUTTON**

(71) Applicant: **SARIANA, LLC**, San Diego, CA (US)

(72) Inventors: **Alan Turksu**, San Diego, CA (US);
Mustafa Burak Guclu, San Diego, CA (US)

(73) Assignee: **SARIANA, LLC**, San Diego, CA (US)

(*) Notice: This patent is subject to a terminal disclaimer.

(**) Term: **15 Years**

(21) Appl. No.: **29/565,607**

(22) Filed: **May 23, 2016**

Related U.S. Application Data

(63) Continuation of application No. 29/516,177, filed on Jan. 29, 2015, now Pat. No. Des. 766,844.

(51) **LOC (11) Cl.** **14-03**

(52) **U.S. Cl.**
USPC **D13/168**; D10/104.1; D14/240

(58) **Field of Classification Search**
USPC D13/168; D10/104.1, 106.1; D14/137, D14/139, 140, 155, 230, 231, 238.1, 240, D14/242, 243, 218, 314; 455/41.2
CPC H03J 1/0025; H03J 9/00; H03J 9/02; H03J 9/04; H03J 9/06; H01H 9/0235; H04B 1/202; G05B 11/01; G08C 17/00; G08C 17/02; G08C 23/04; G06F 1/1626; H01Q 1/007; H04W 52/0206; H04W 88/08; H04W 88/085; H04W 88/10; H04W 88/12; H04W 88/16; H04L 67/306; H04M 1/6091

See application file for complete search history.

(56) **References Cited**

U.S. PATENT DOCUMENTS

D371,793 S	7/1996	Patton
D407,985 S	4/1999	Pimentel
D435,835 S	1/2001	Steck
D511,985 S	11/2005	Kelly, Jr.
D512,417 S	12/2005	Hirakawa
D515,040 S	2/2006	Jones
D518,030 S	3/2006	Lin
D526,973 S	8/2006	Gates
D530,525 S	10/2006	Greene, II
D601,564 S	10/2009	Maeno
D602,911 S	10/2009	Wang
D627,306 S	11/2010	Charleux
D658,640 S	5/2012	Ivaskevicius
D671,096 S	11/2012	Song
D671,528 S	11/2012	Fathollahi
D683,251 S	5/2013	Dumas
D687,009 S	7/2013	Song
D700,904 S	3/2014	Miller

(Continued)

Primary Examiner — Selina Sikder

(74) *Attorney, Agent, or Firm* — Wagenknecht IP Law Group PC

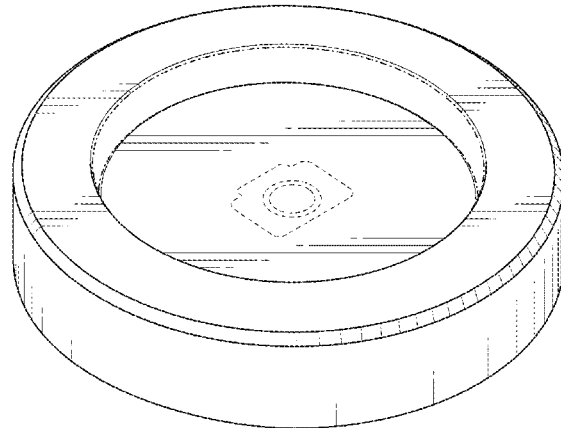
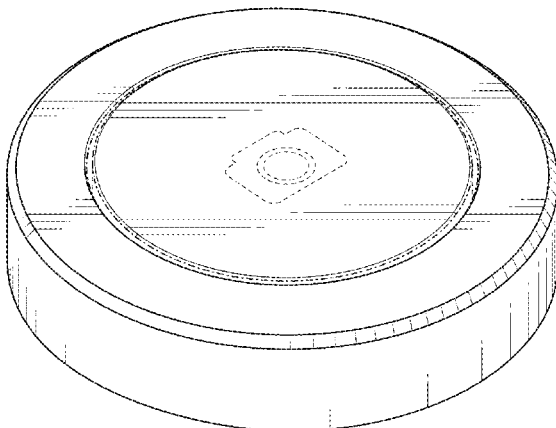
(57) **CLAIM**

What is claimed is an ornamental design for a wireless control button, as shown and described.

DESCRIPTION

FIG. 1 is a top, left, front perspective view of a wireless control button showing our new design;
FIG. 2 is a top plan view thereof;
FIG. 3 is a bottom plan view thereof;
FIG. 4 is a left side elevational view thereof;
FIG. 5 is a right side elevational view thereof;
FIG. 6 is a rear elevational view thereof;
FIG. 7 is a front elevational view thereof; and,
FIG. 8 is a top, left front view of the wireless control button shown in an optional pressed orientation.
Broken lines are included for illustrative purposes only and form no part of the claimed design.

1 Claim, 3 Drawing Sheets



(56)

References Cited

U.S. PATENT DOCUMENTS

D702,146	S	4/2014	Giovanni	
D704,177	S	5/2014	Chun	
D705,748	S	5/2014	He	
D706,249	S	6/2014	Holzer	
D724,060	S	3/2015	Ahn	
D725,088	S	3/2015	Kwak	
D726,161	S	4/2015	Howard	
D729,773	S	5/2015	Salojarvi	
D743,382	S	11/2015	Katori	
D743,954	S	11/2015	Chuang	
D746,165	S	12/2015	Li	
D746,166	S	12/2015	Li	
D747,229	S	1/2016	Perez	
D747,984	S	1/2016	Zhao	
D766,844	S	9/2016	Turksu D10/104.1
2005/0245254	A1	11/2005	Hall	
2012/0255505	A1	10/2012	Gauthier	
2013/0292481	A1	11/2013	Filson	

* cited by examiner

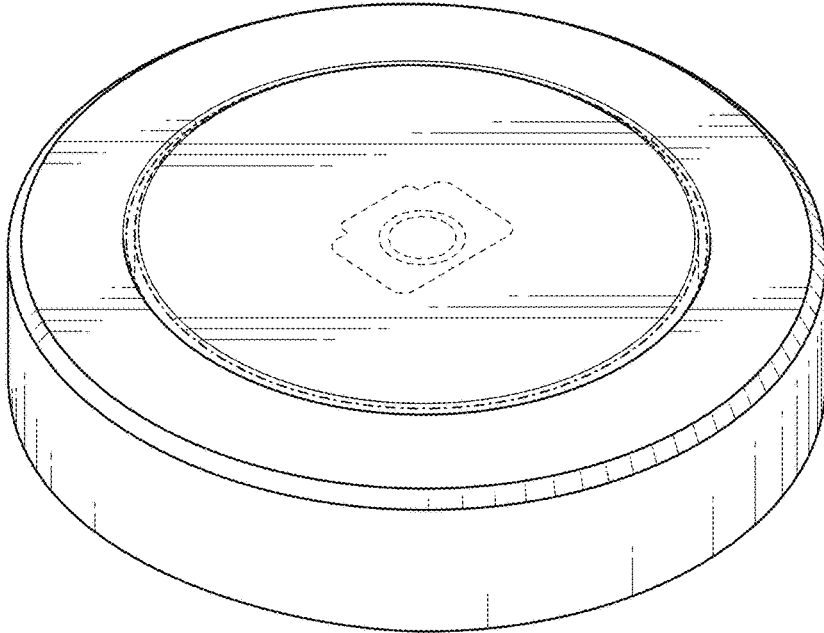


FIG. 1

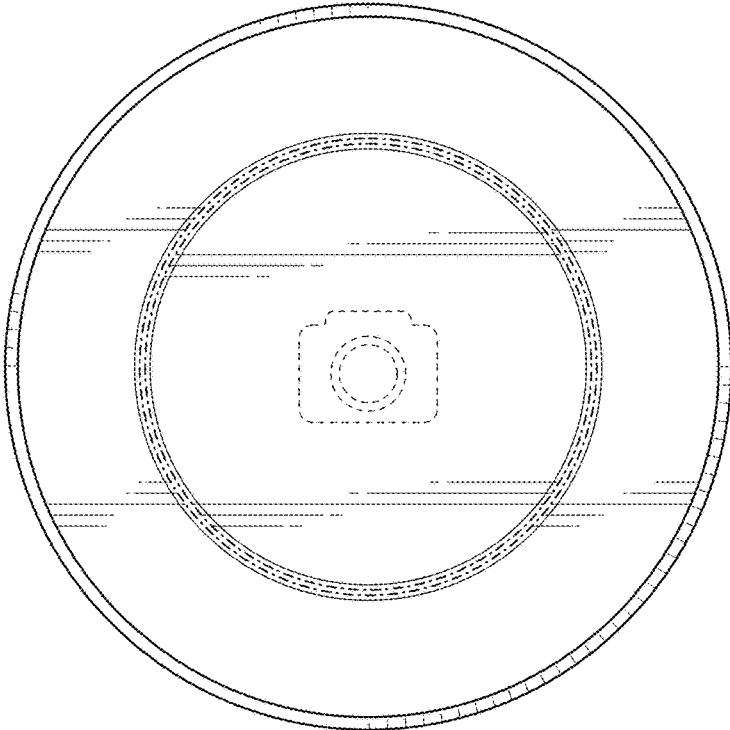


FIG. 2

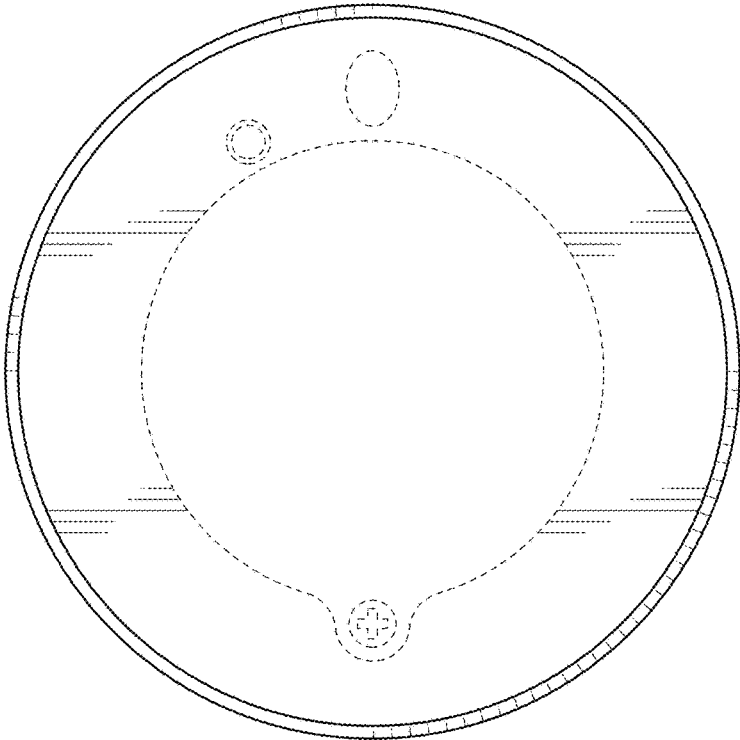


FIG. 3

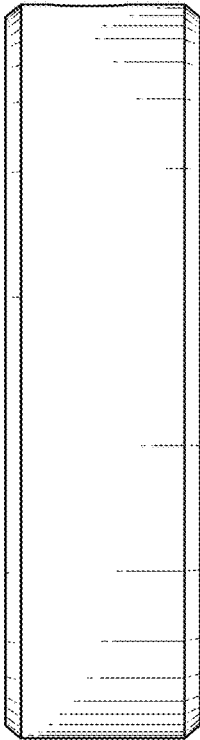


FIG. 4

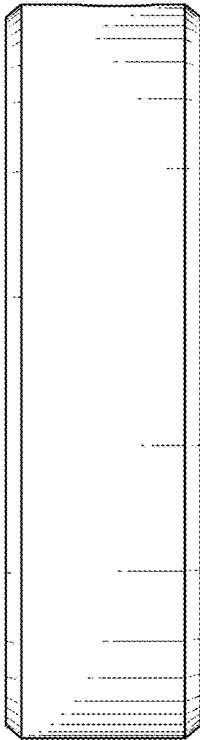


FIG. 5

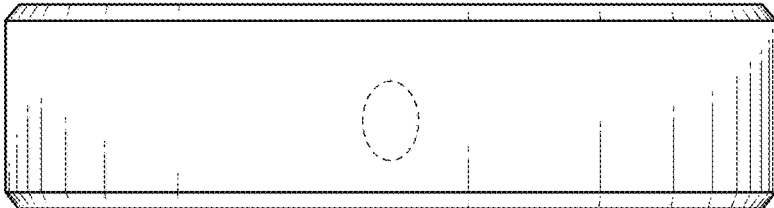


FIG. 6

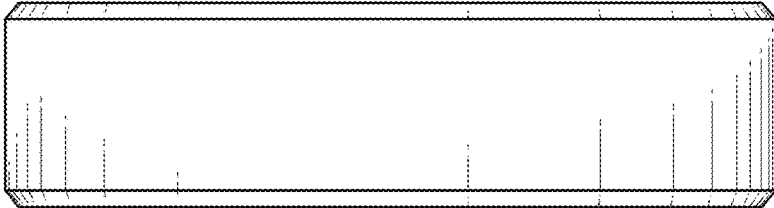


FIG. 7

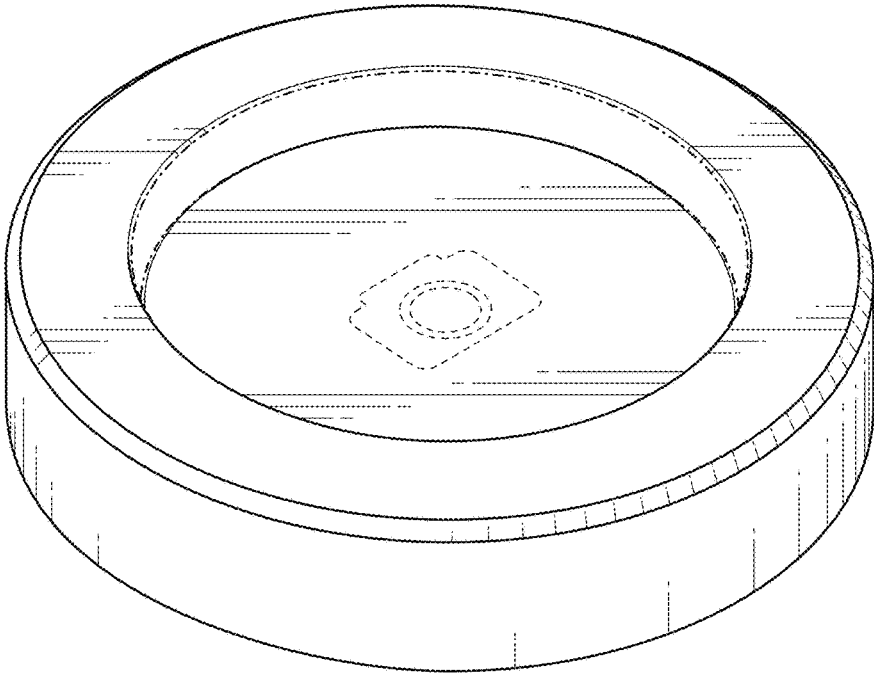


FIG. 8